



US00D848820S

(12) **United States Design Patent**
Dahill et al.

(10) **Patent No.:** **US D848,820 S**
(45) **Date of Patent:** **** May 21, 2019**

(54) **TILE SPACER**

DESCRIPTION

(71) Applicant: **TTI (MACAO COMMERCIAL OFFSHORE) LIMITED**, Macau (MO)

(72) Inventors: **Drew A. Dahill**, Pendleton, SC (US); **Clinton C. Thackery**, Clemson, SC (US); **Richard M. Davidian**, Pickens, SC (US); **Nicholas A. Costanzo**, Greenville, SC (US)

(73) Assignee: **TTI (MACAO COMMERCIAL OFFSHORE) LIMITED**, Macau (MO)

(**) Term: **15 Years**

(21) Appl. No.: **29/615,323**

(22) Filed: **Aug. 28, 2017**

(51) **LOC (11) Cl.** **08-05**

(52) **U.S. Cl.**
USPC **D8/354; D10/65**

(58) **Field of Classification Search**
USPC **D8/354; D10/64, 65**

(Continued)

(56) **References Cited**

U.S. PATENT DOCUMENTS

3,745,735 A 7/1973 Casano
5,288,534 A 2/1994 Tavshanjian

(Continued)

FOREIGN PATENT DOCUMENTS

EP 1059398 B1 3/2005

Primary Examiner — Antoine Duval Davis

(74) *Attorney, Agent, or Firm* — Michael Best & Friedrich LLP

(57) **CLAIM**

We claim the ornamental design for a tile spacer, as shown and described.

FIG. 1 is a top perspective view of a tile spacer in accordance with a first embodiment of the invention.

FIG. 2 is a bottom perspective view of the tile spacer of FIG. 1.

FIG. 3 is a top view of the tile spacer of FIG. 1.

FIG. 4 is a bottom view of the tile spacer of FIG. 1.

FIG. 5 is a front view of the tile spacer of FIG. 1.

FIG. 6 is a rear view of the tile spacer of FIG. 1.

FIG. 7 is a left-side view of the tile spacer of FIG. 1.

FIG. 8 is a right-side view of the tile spacer of FIG. 1.

FIG. 9 is a top perspective view of a tile spacer in accordance with a second embodiment of the invention.

FIG. 10 is a bottom perspective view of the tile spacer of FIG. 9.

FIG. 11 is a top view of the tile spacer of FIG. 9.

FIG. 12 is a bottom view of the tile spacer of FIG. 9.

FIG. 13 is a front view of the tile spacer of FIG. 9.

FIG. 14 is a rear view of the tile spacer of FIG. 9.

FIG. 15 is a left-side view of the tile spacer of FIG. 9.

FIG. 16 is a right-side view of the tile spacer of FIG. 9.

FIG. 17 is a top perspective view of a tile spacer in accordance with a third embodiment of the invention.

FIG. 18 is a bottom perspective view of the tile spacer of FIG. 17.

FIG. 19 is a top view of the tile spacer of FIG. 17.

FIG. 20 is a bottom view of the tile spacer of FIG. 17.

FIG. 21 is a front view of the tile spacer of FIG. 17.

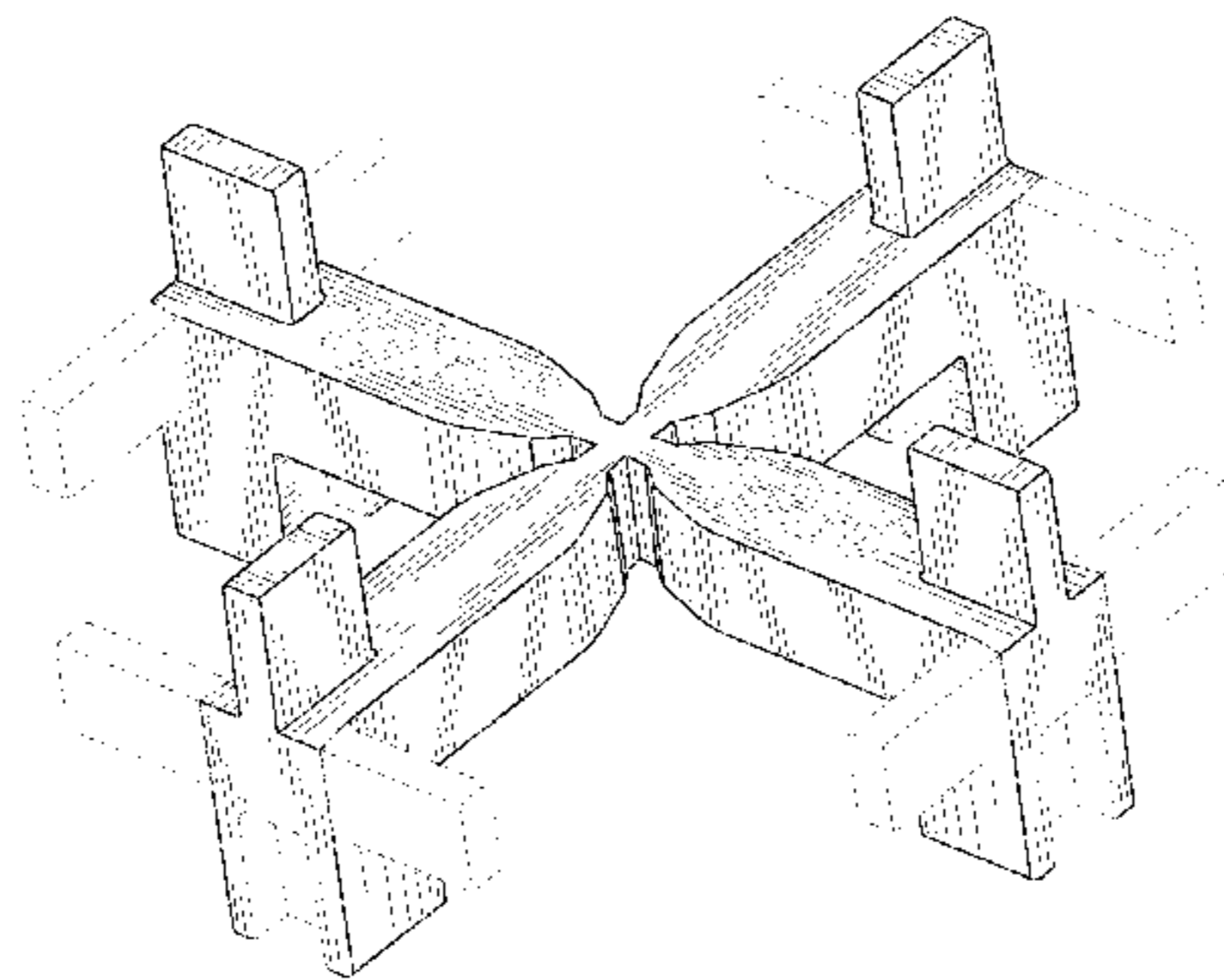
FIG. 22 is a rear view of the tile spacer of FIG. 17.

FIG. 23 is a left-side view of the tile spacer of FIG. 17; and,

FIG. 24 is a right-side view of the tile spacer of FIG. 17.

The portions of the tile spacer shown in broken lines are included for the purpose of illustrating environment and form no part of the claimed design. The portions of the tile spacer shown in broken lines having unequal length segments illustrate the boundary of the claimed design and form no part of the claimed design.

1 Claim, 18 Drawing Sheets



(58) **Field of Classification Search**

CPC E04F 21/0092

See application file for complete search history.

(56) **References Cited**

U.S. PATENT DOCUMENTS

D492,210	S *	6/2004	Shilo	D10/64
6,796,049	B1	9/2004	Claxton		
6,874,242	B2 *	4/2005	Shilo	E04F 21/0092
					33/526
D678,039	S *	3/2013	Psaila	D8/354
D758,218	S *	6/2016	Bunch	D10/64
9,470,002	B2	10/2016	Irvine		
2016/0244982	A1	8/2016	Bunch		
2016/0376795	A1	12/2016	Irvine		

* cited by examiner

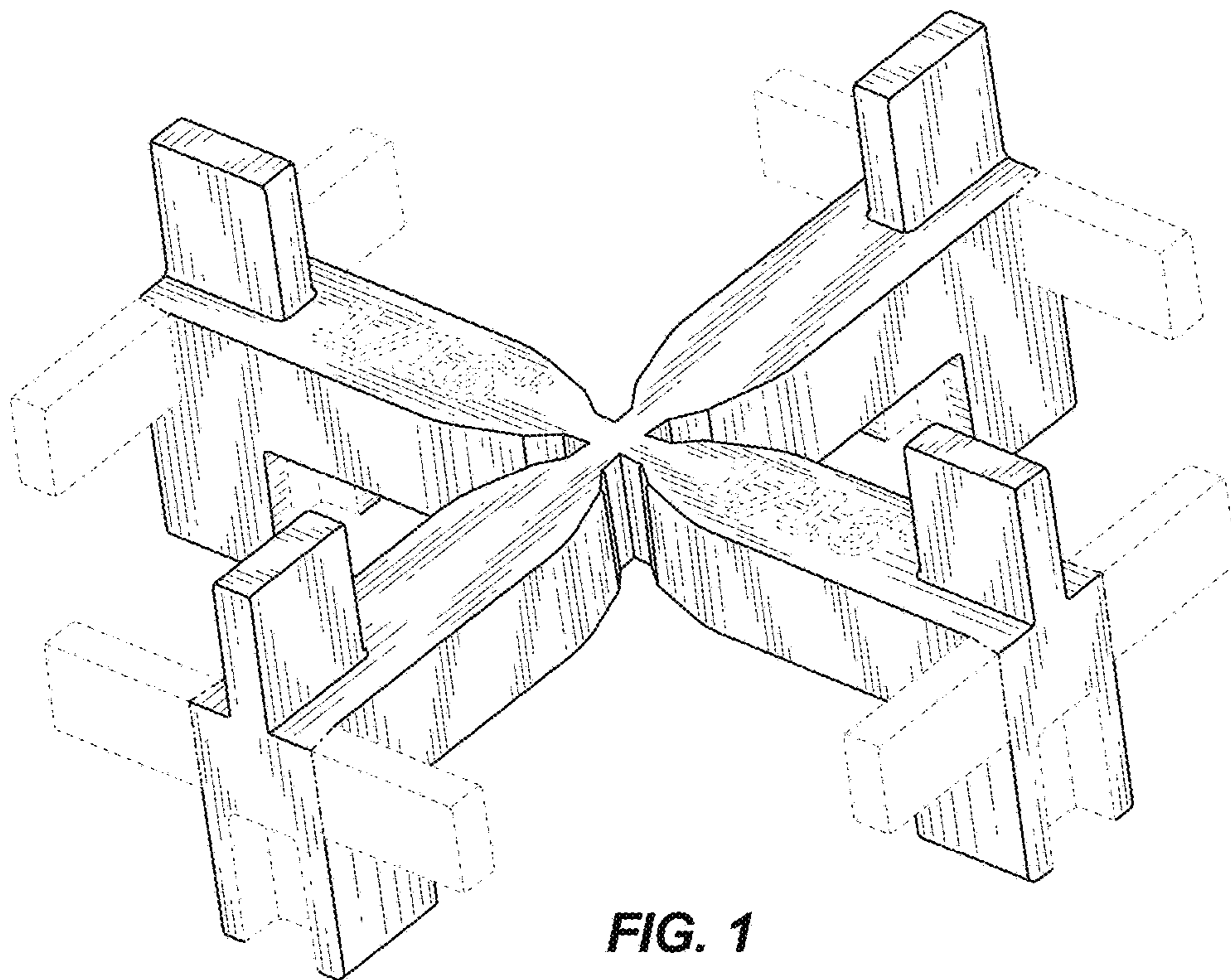


FIG. 1

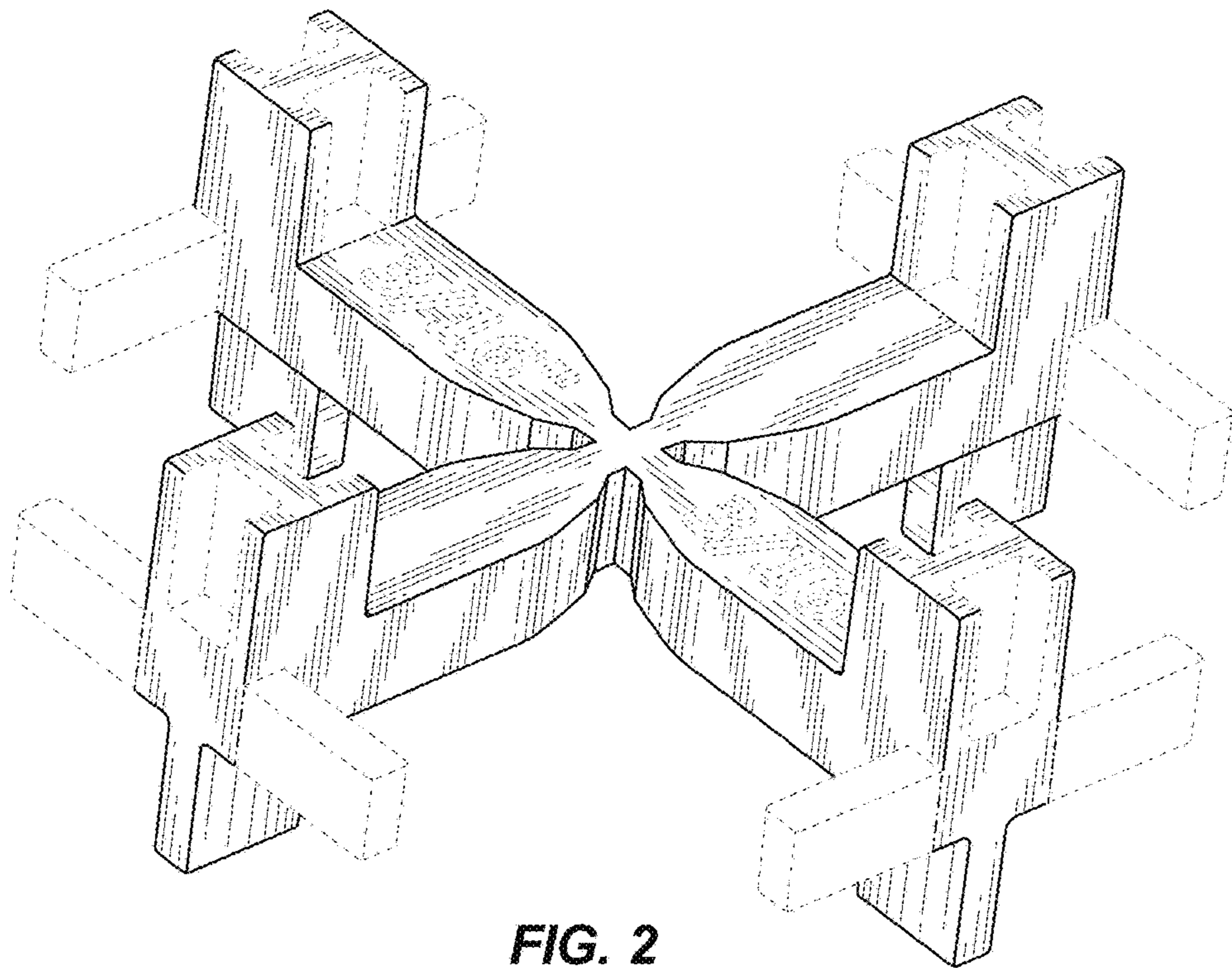


FIG. 2

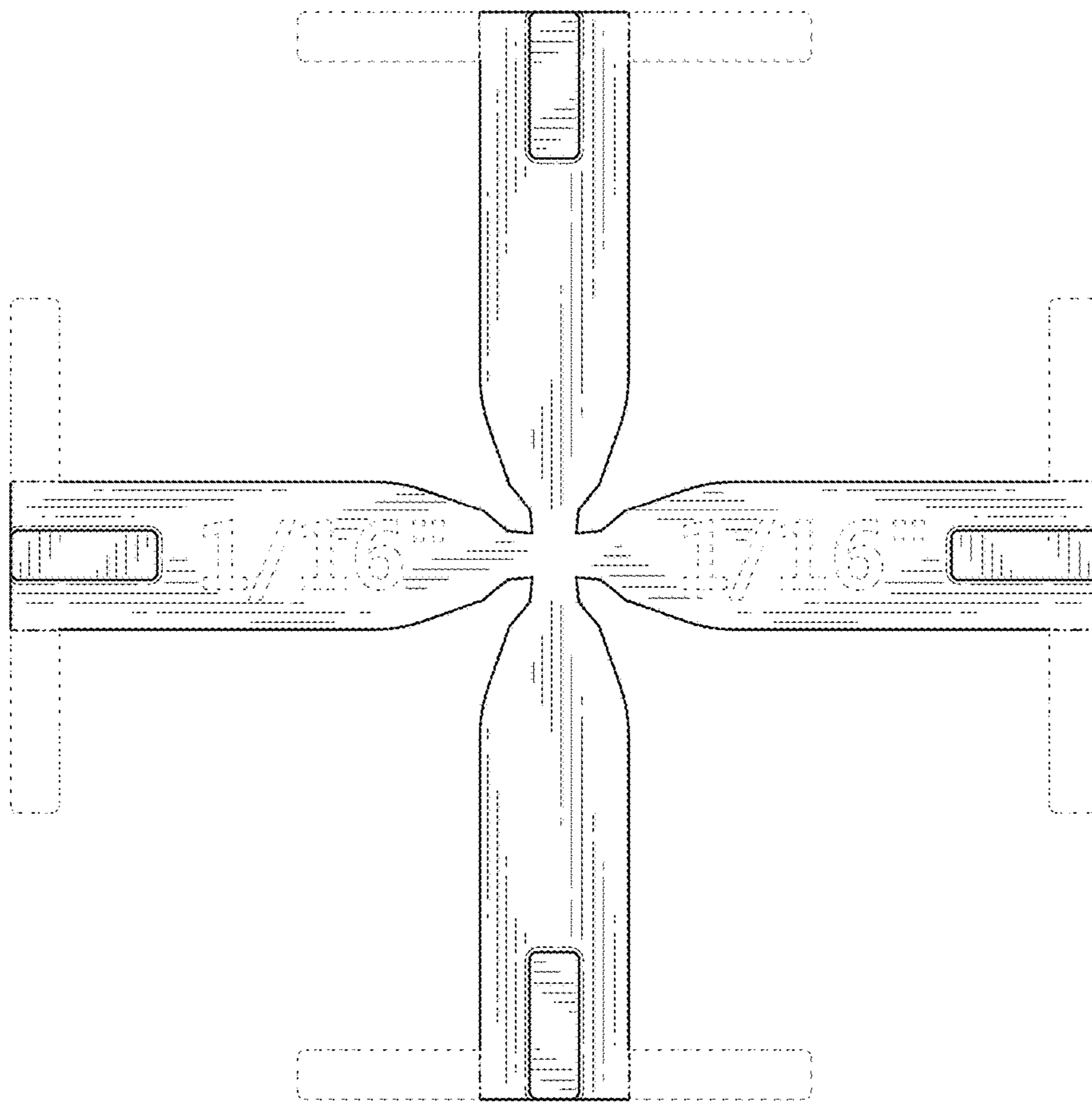


FIG. 3

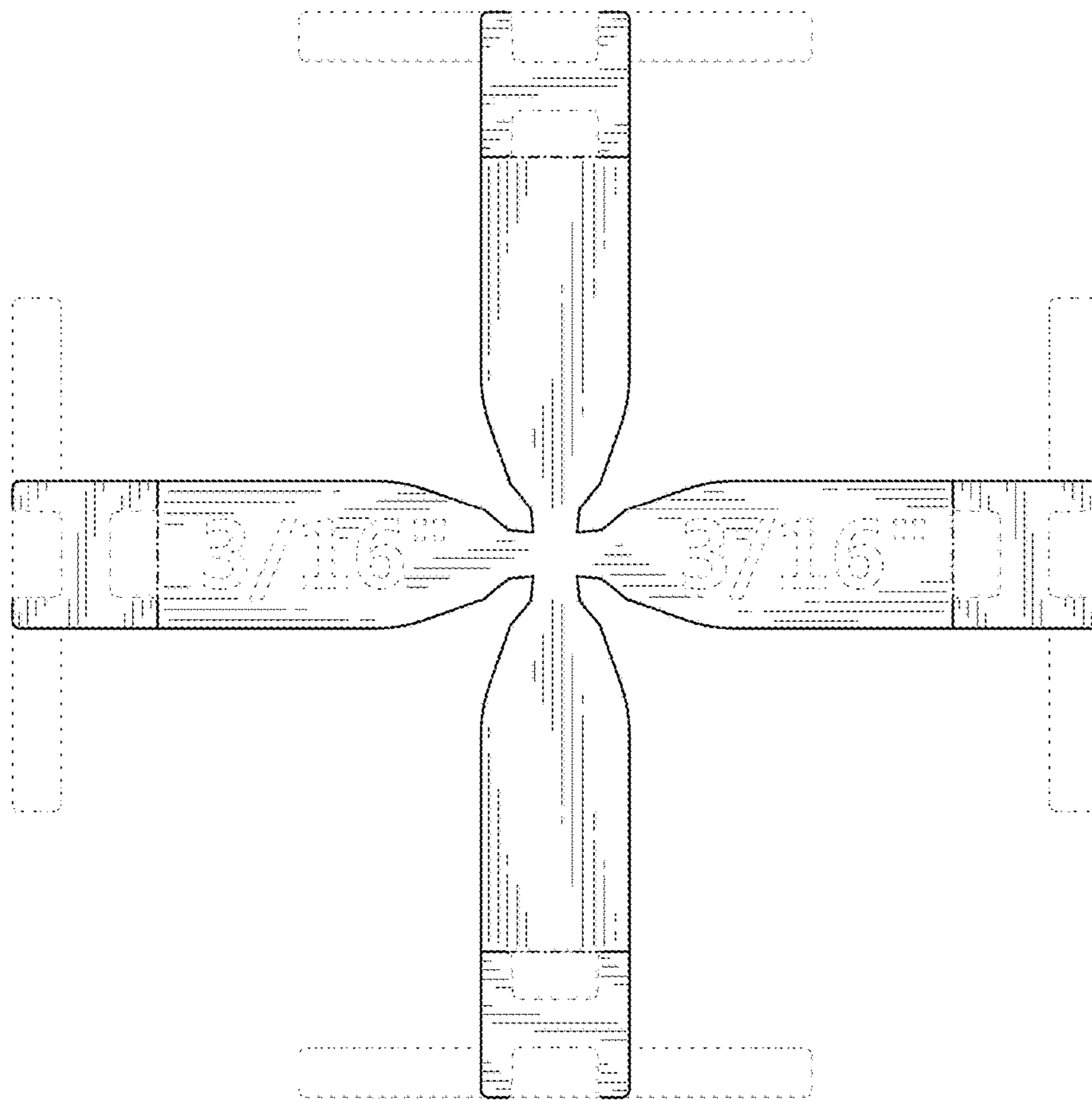


FIG. 4

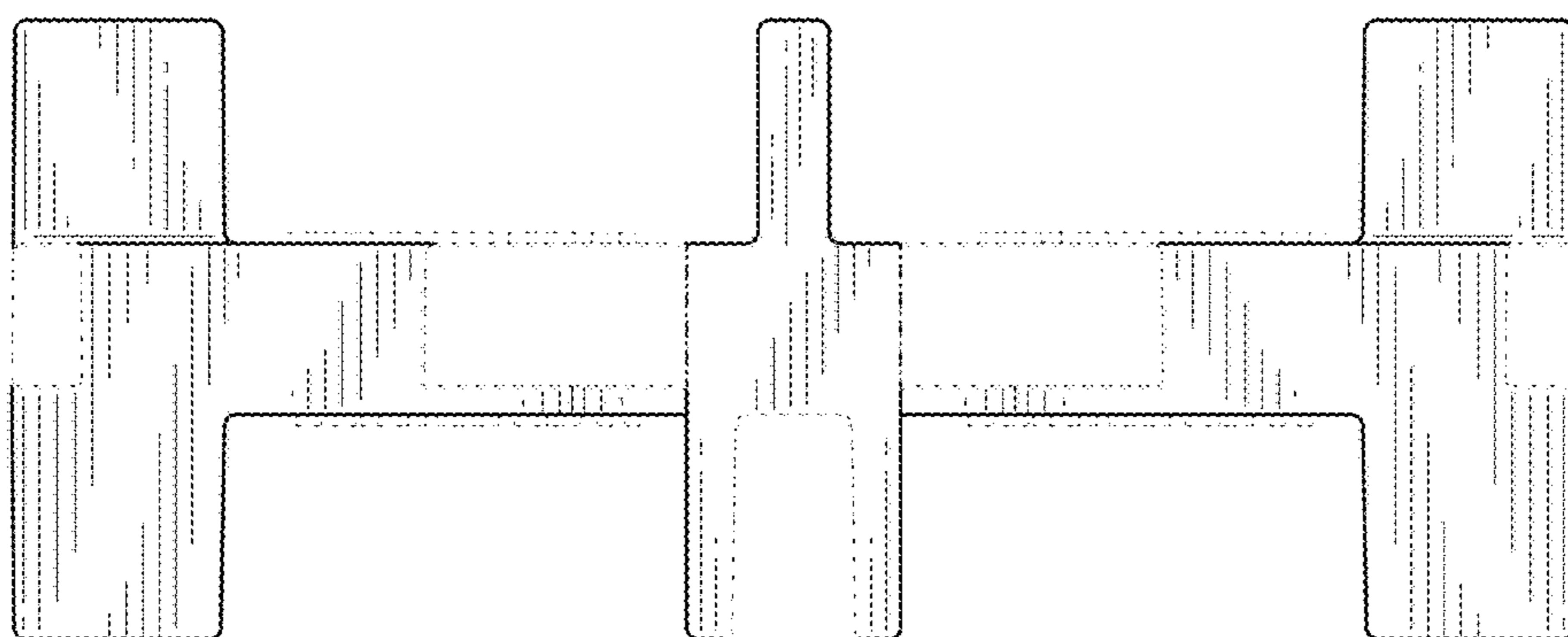


FIG. 5

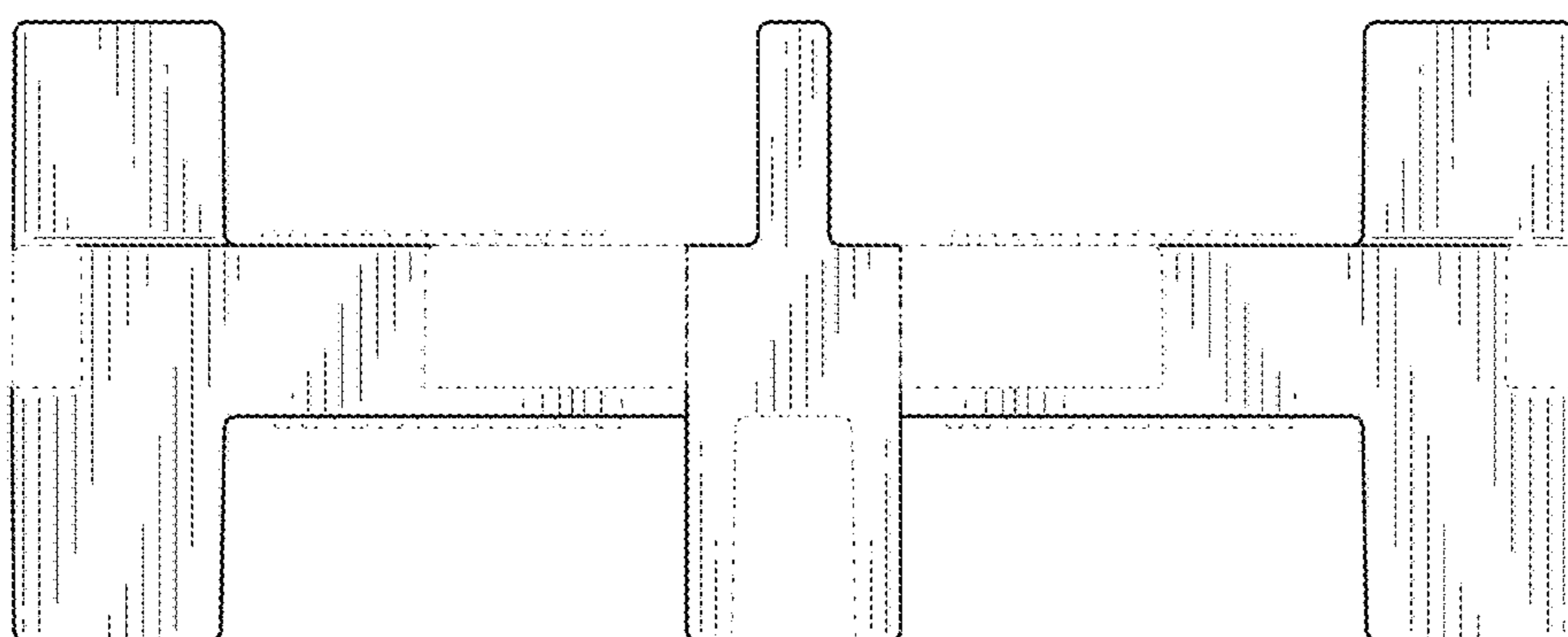


FIG. 6

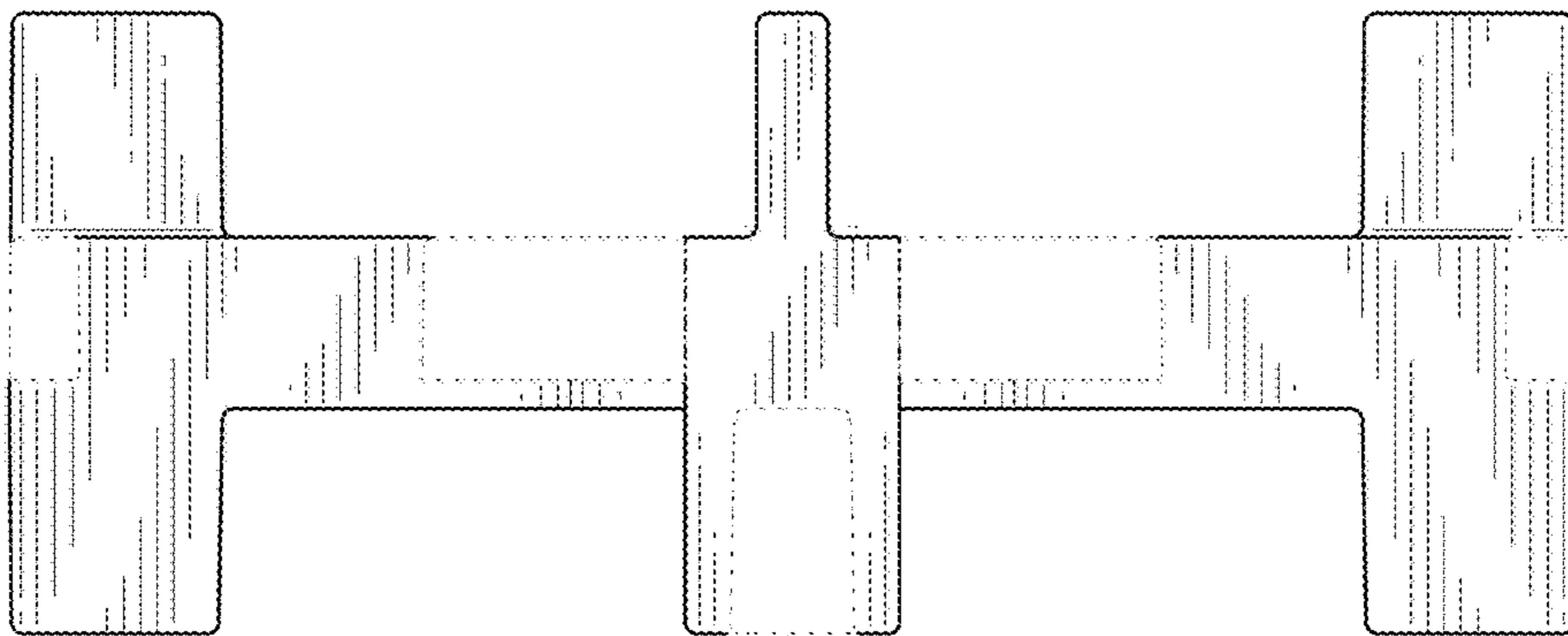


FIG. 7

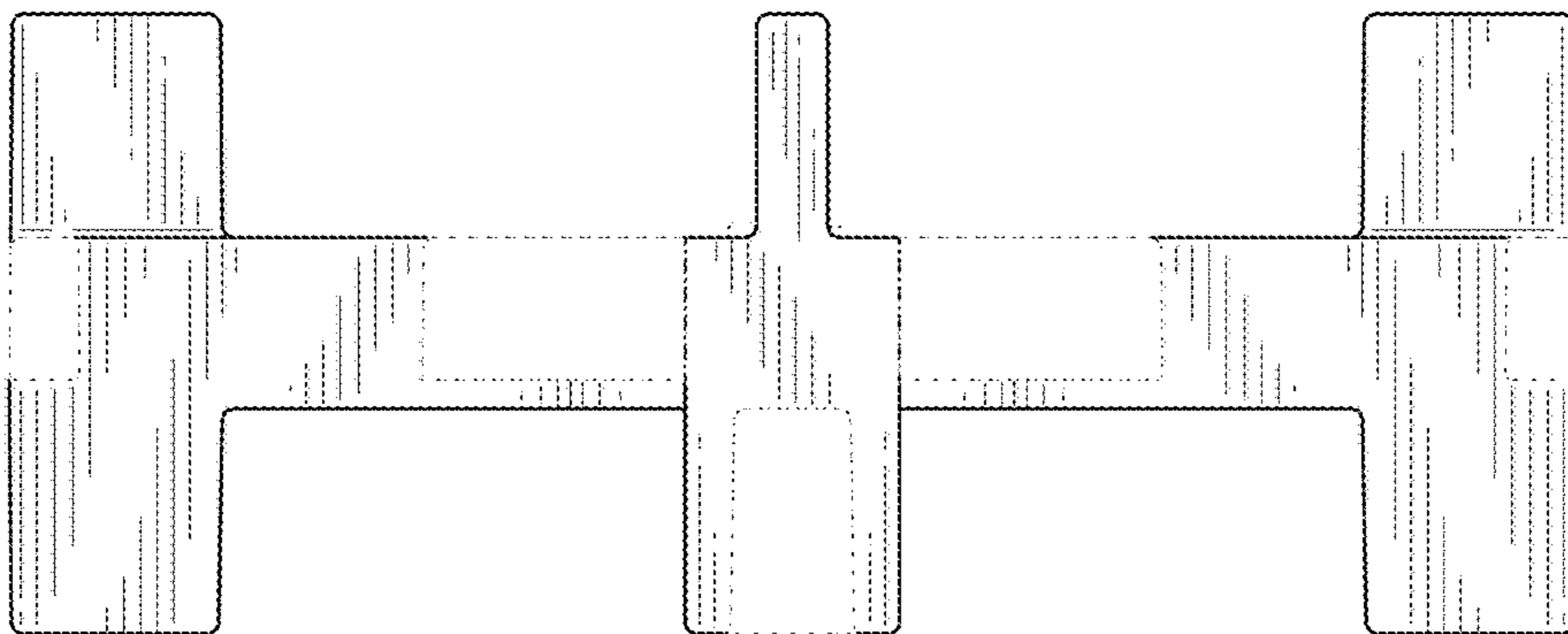


FIG. 8

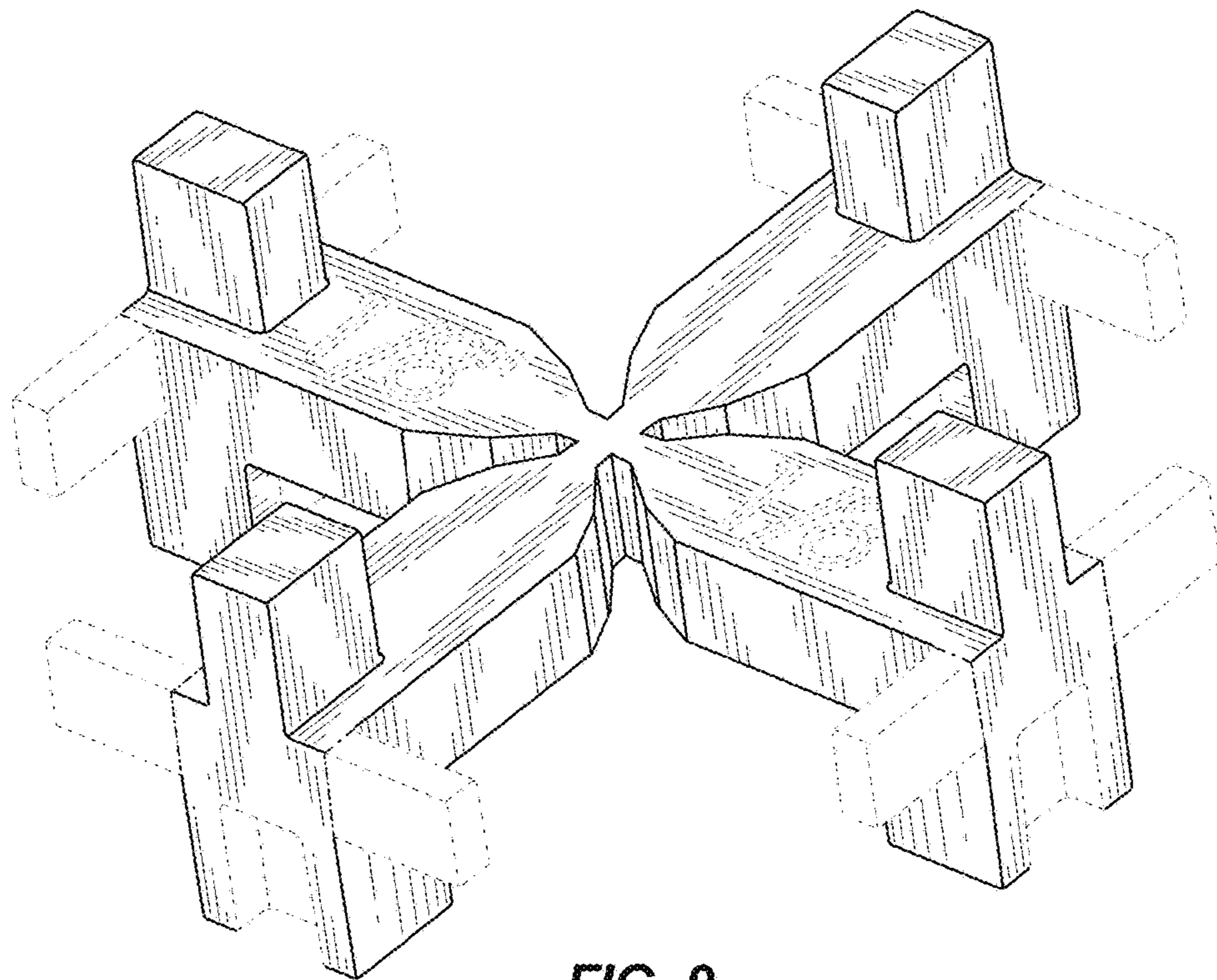


FIG. 9

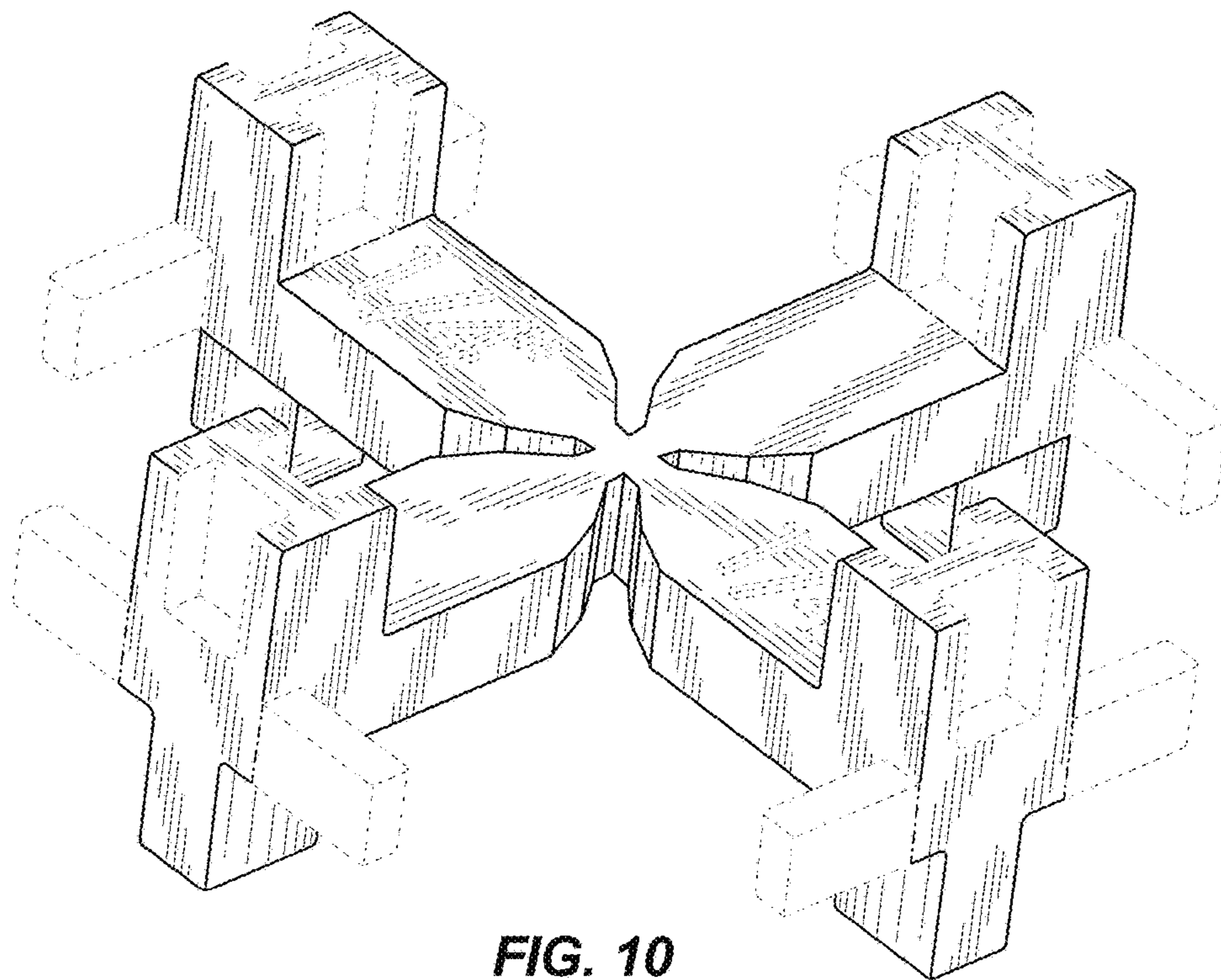


FIG. 10

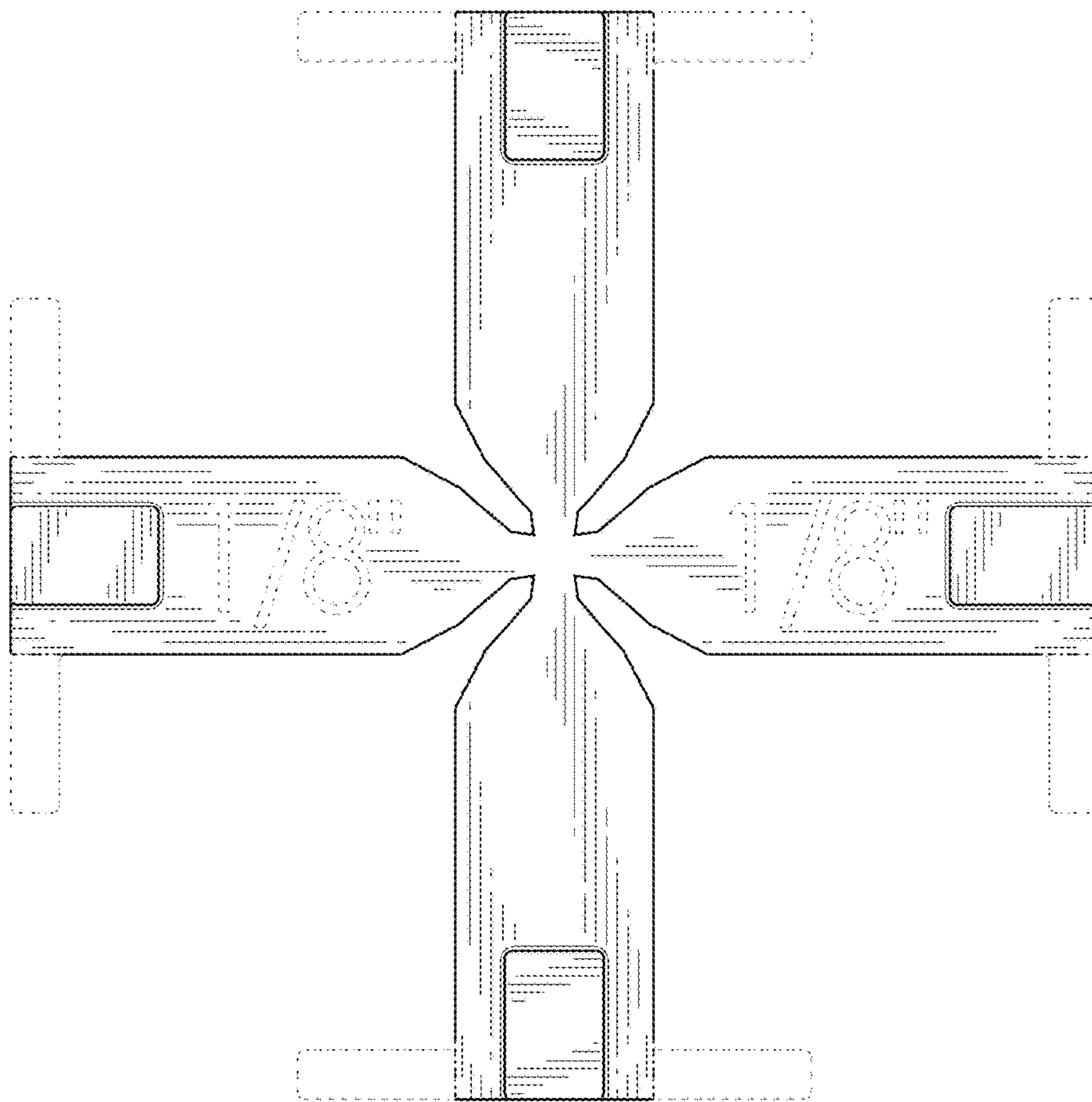


FIG. 11

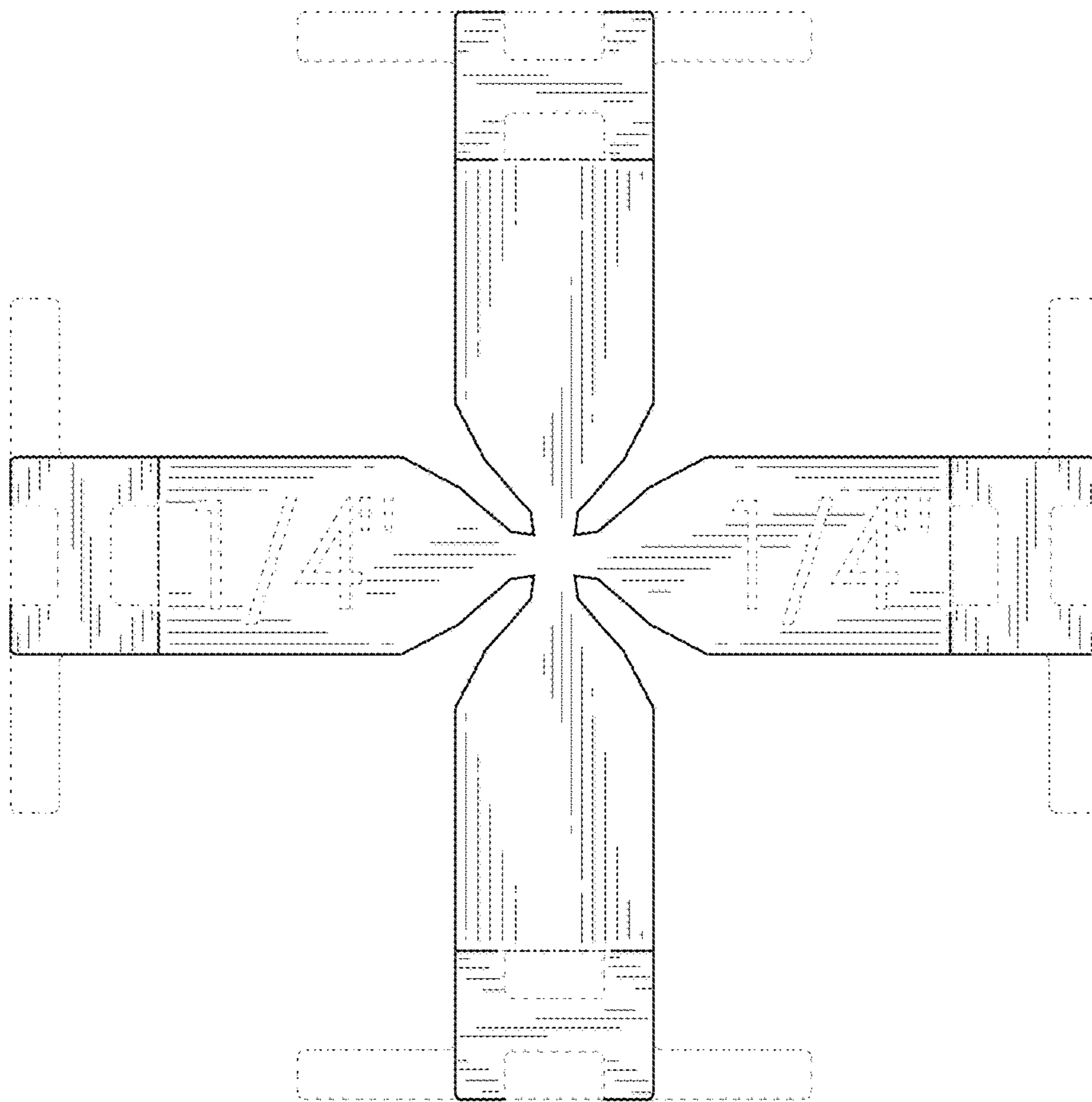


FIG. 12

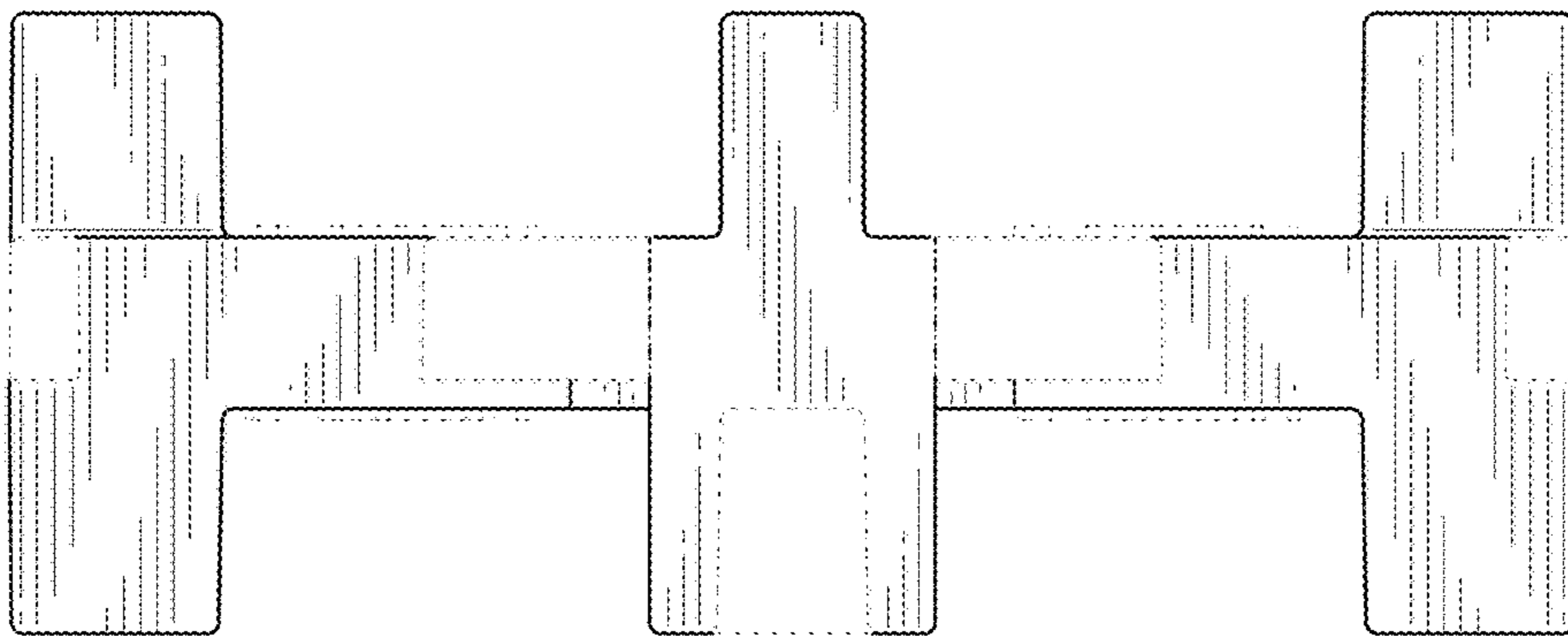


FIG. 13

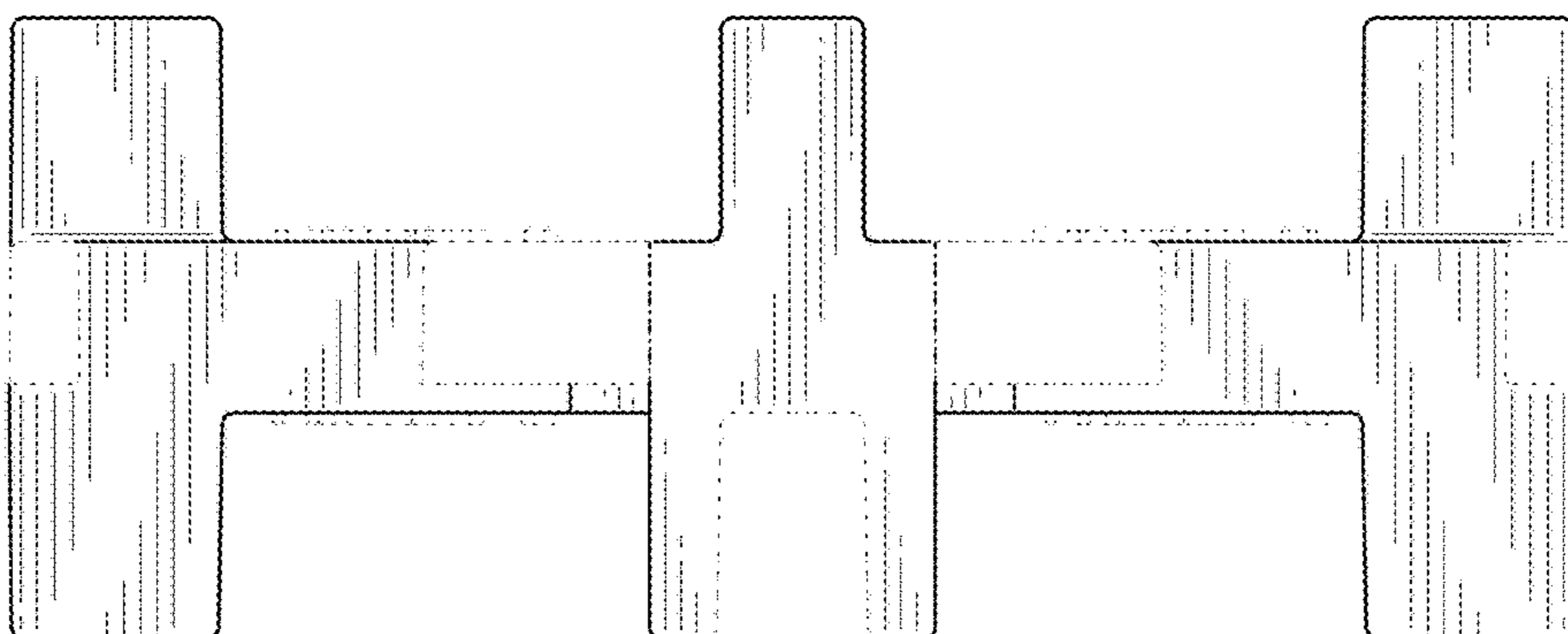


FIG. 14

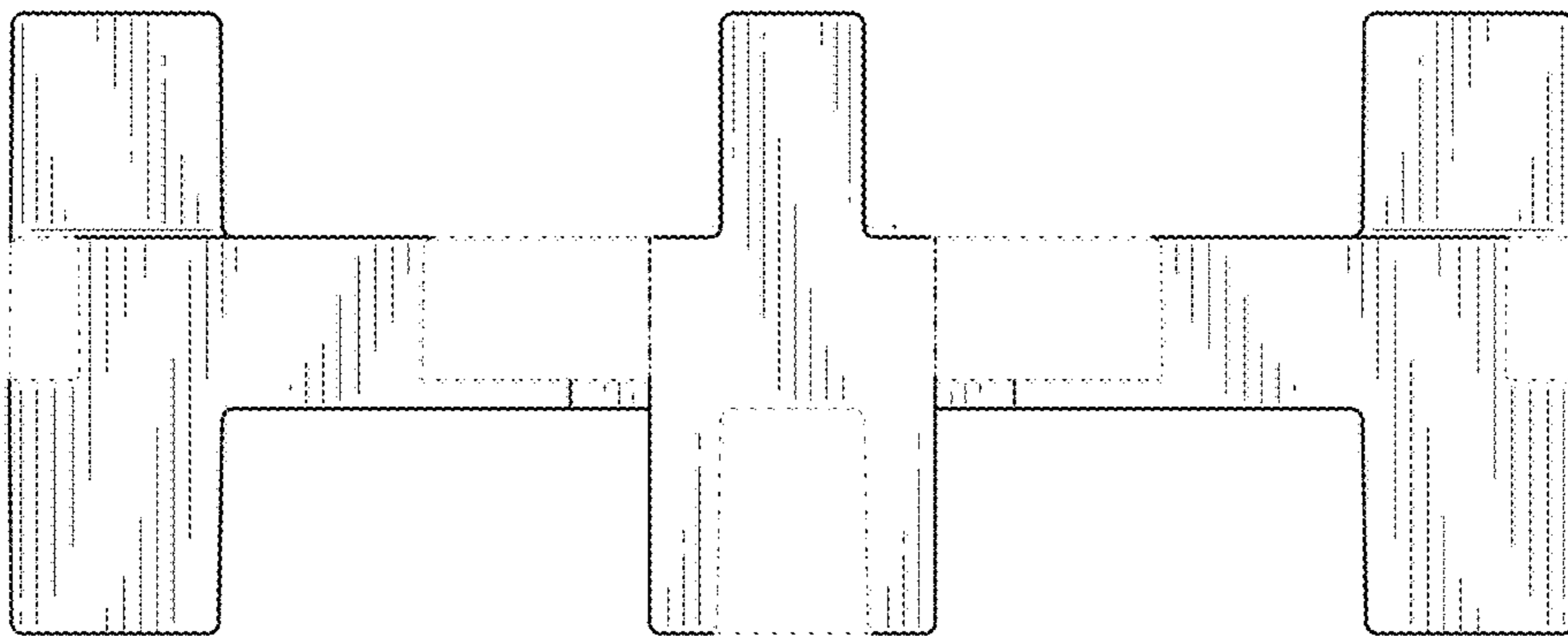


FIG. 15

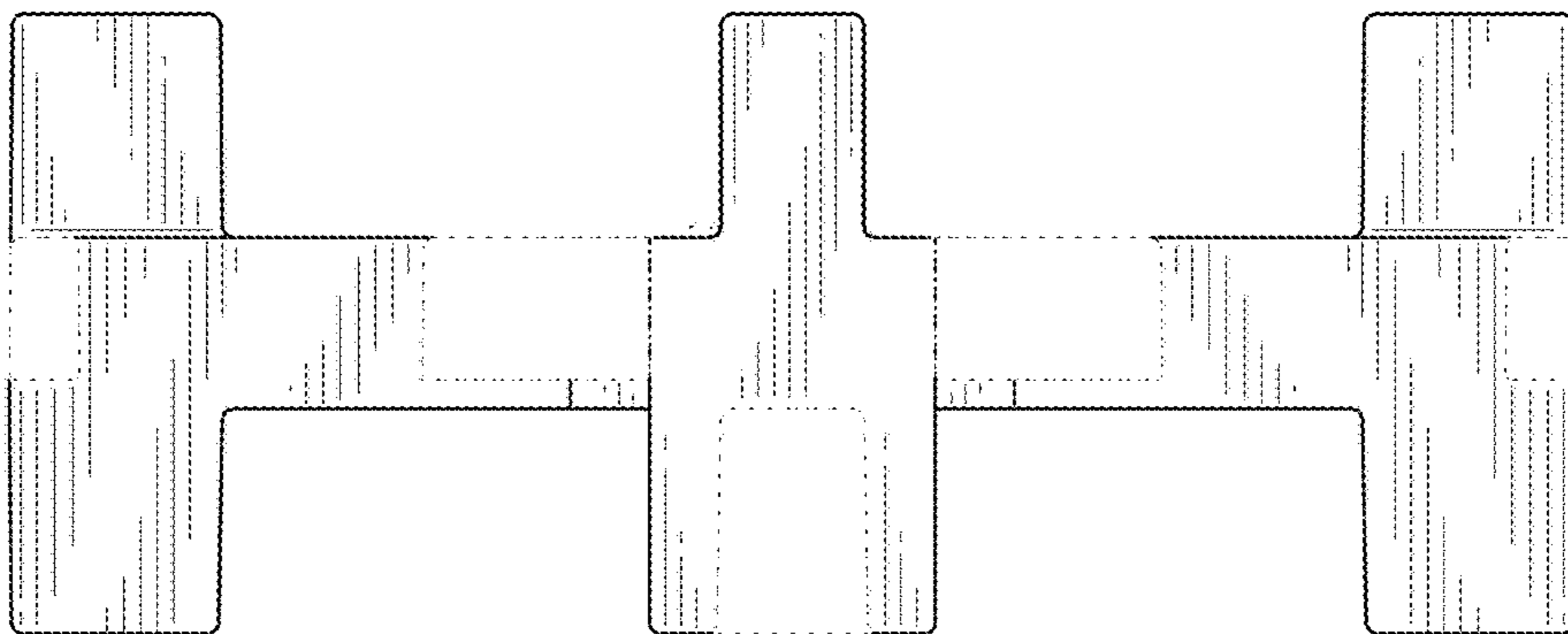


FIG. 16

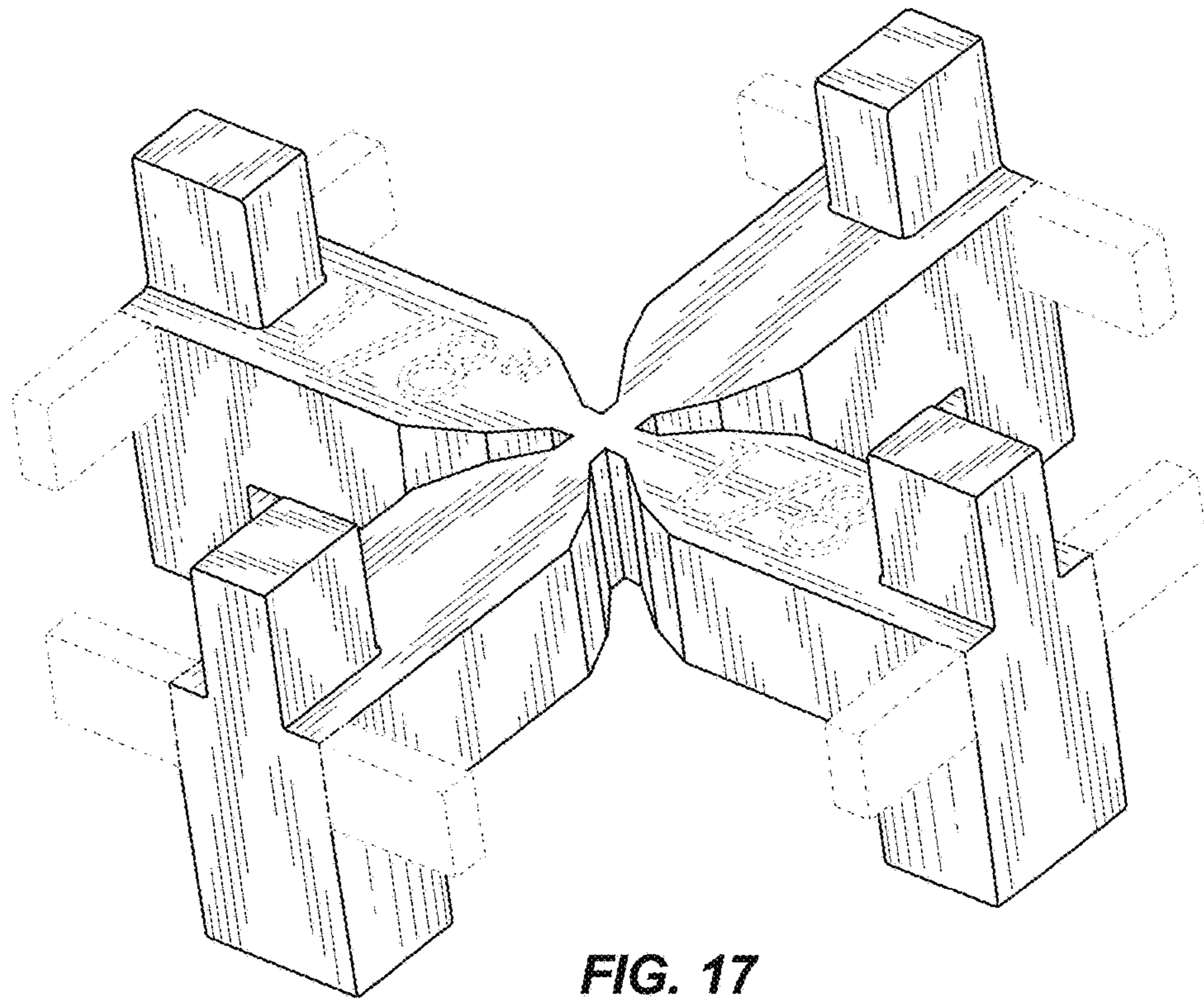


FIG. 17

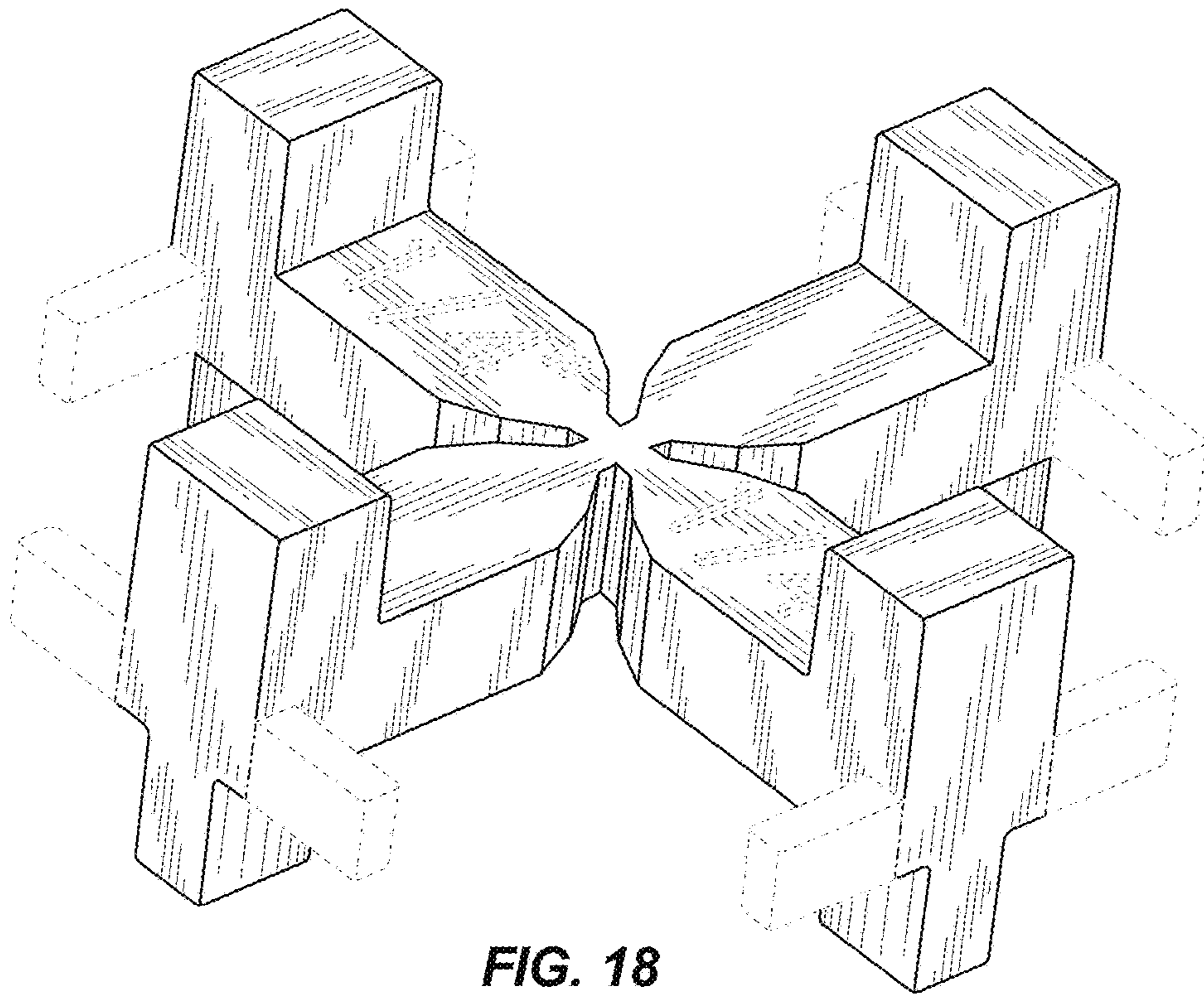


FIG. 18

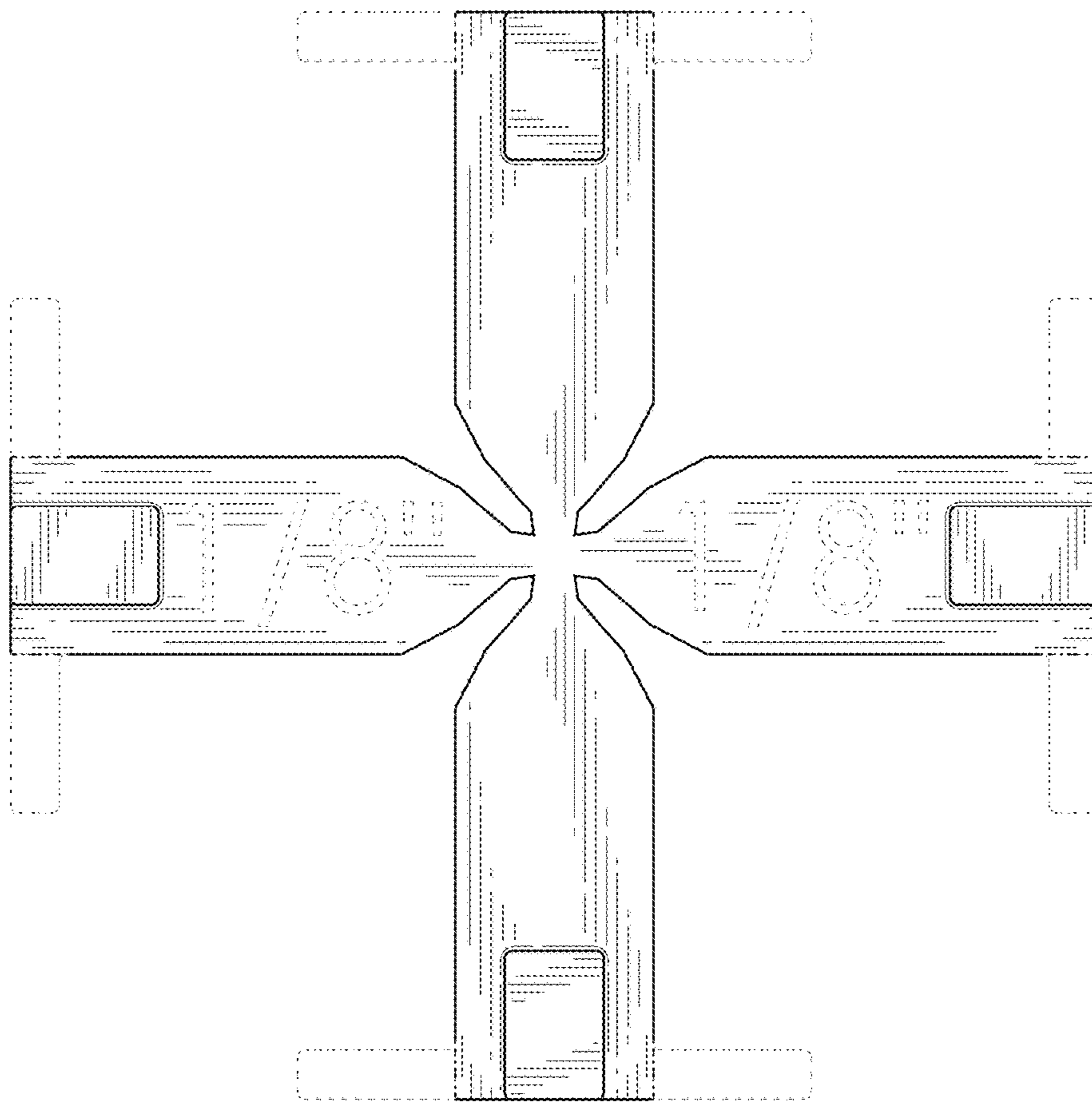


FIG. 19

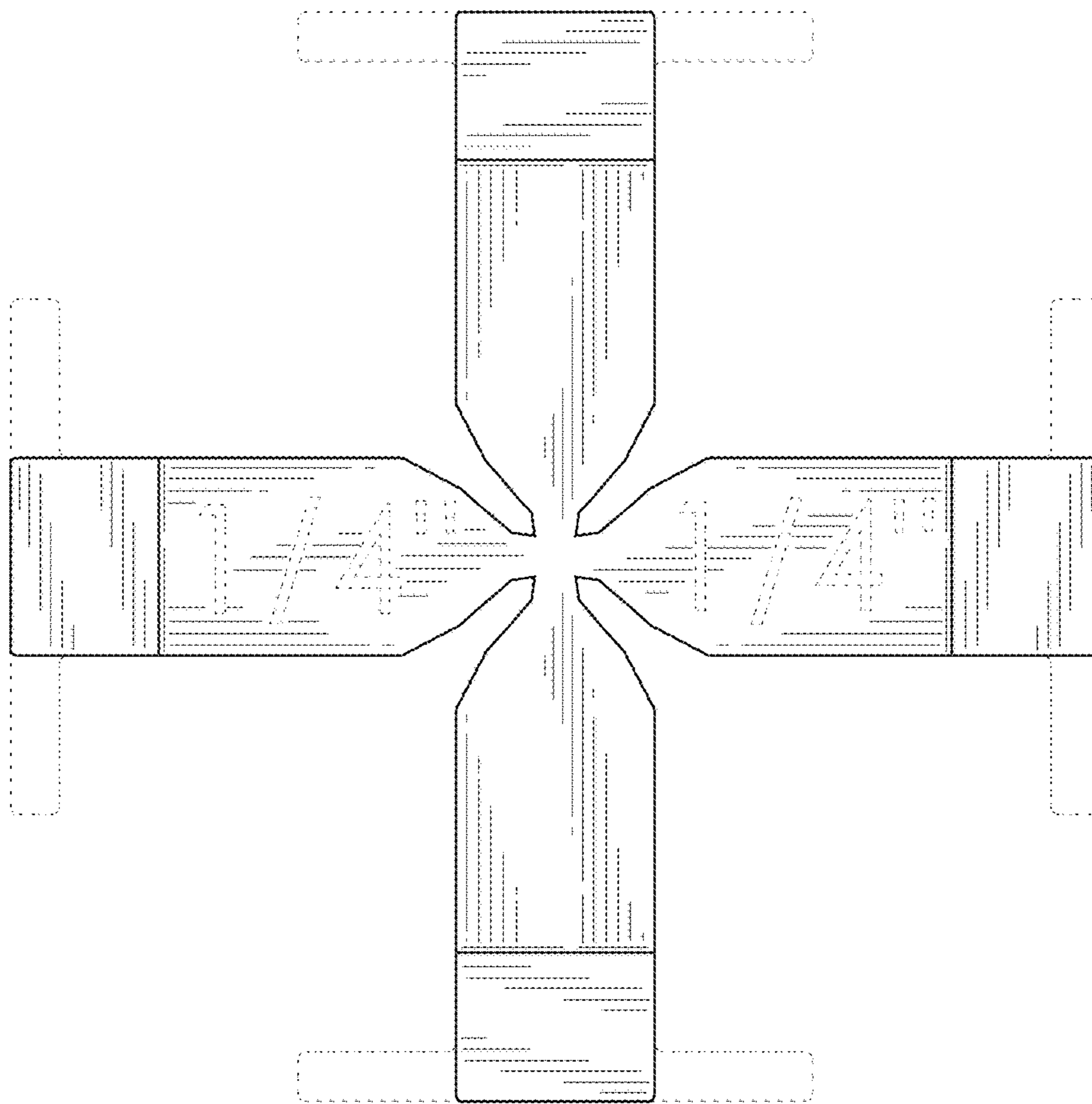


FIG. 20

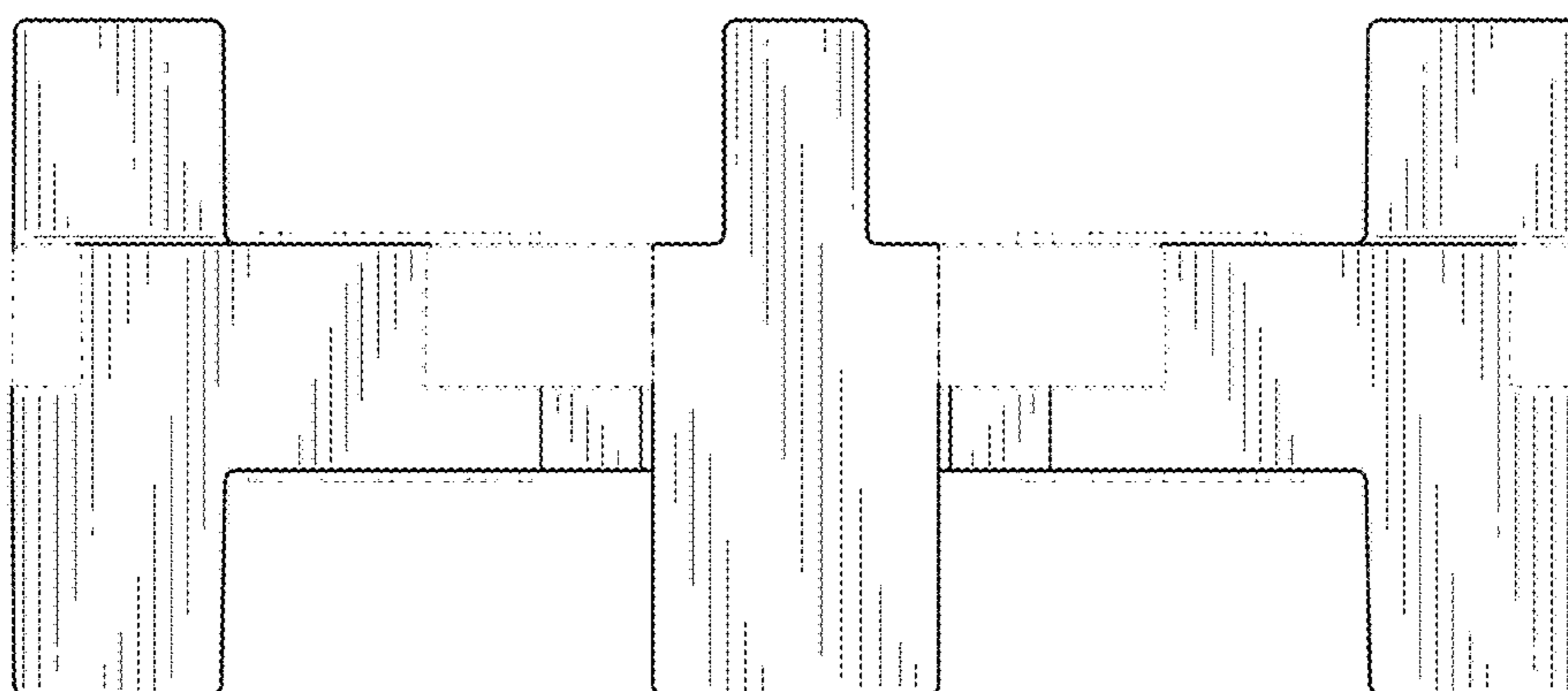


FIG. 21

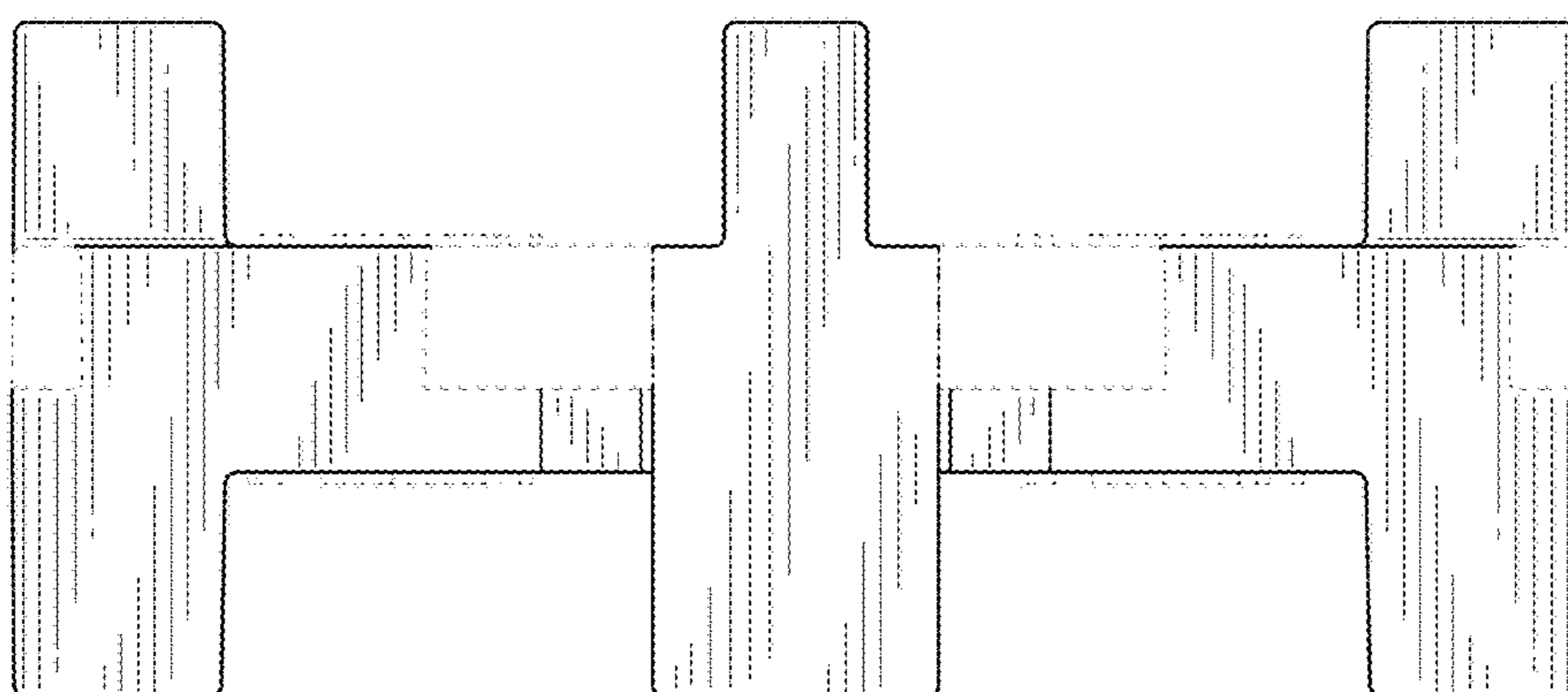


FIG. 22

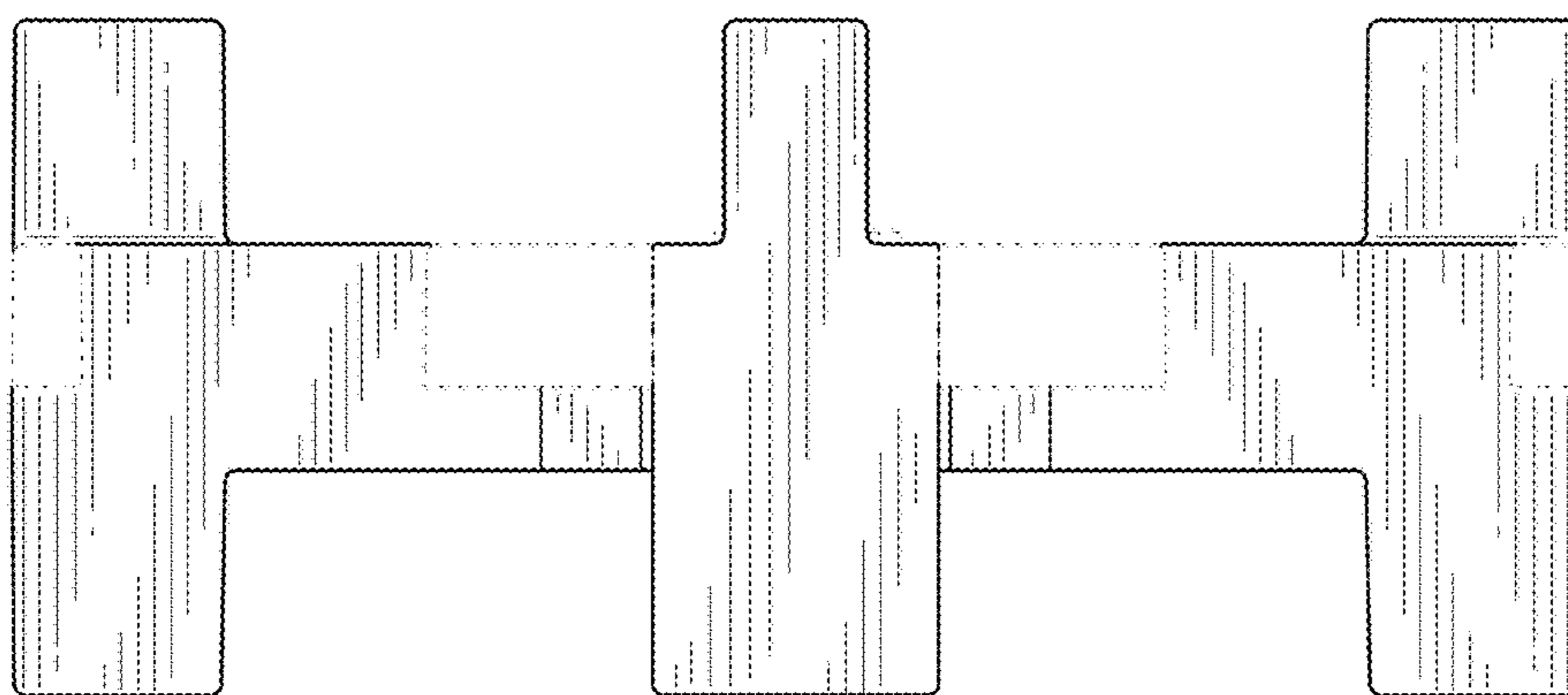


FIG. 23

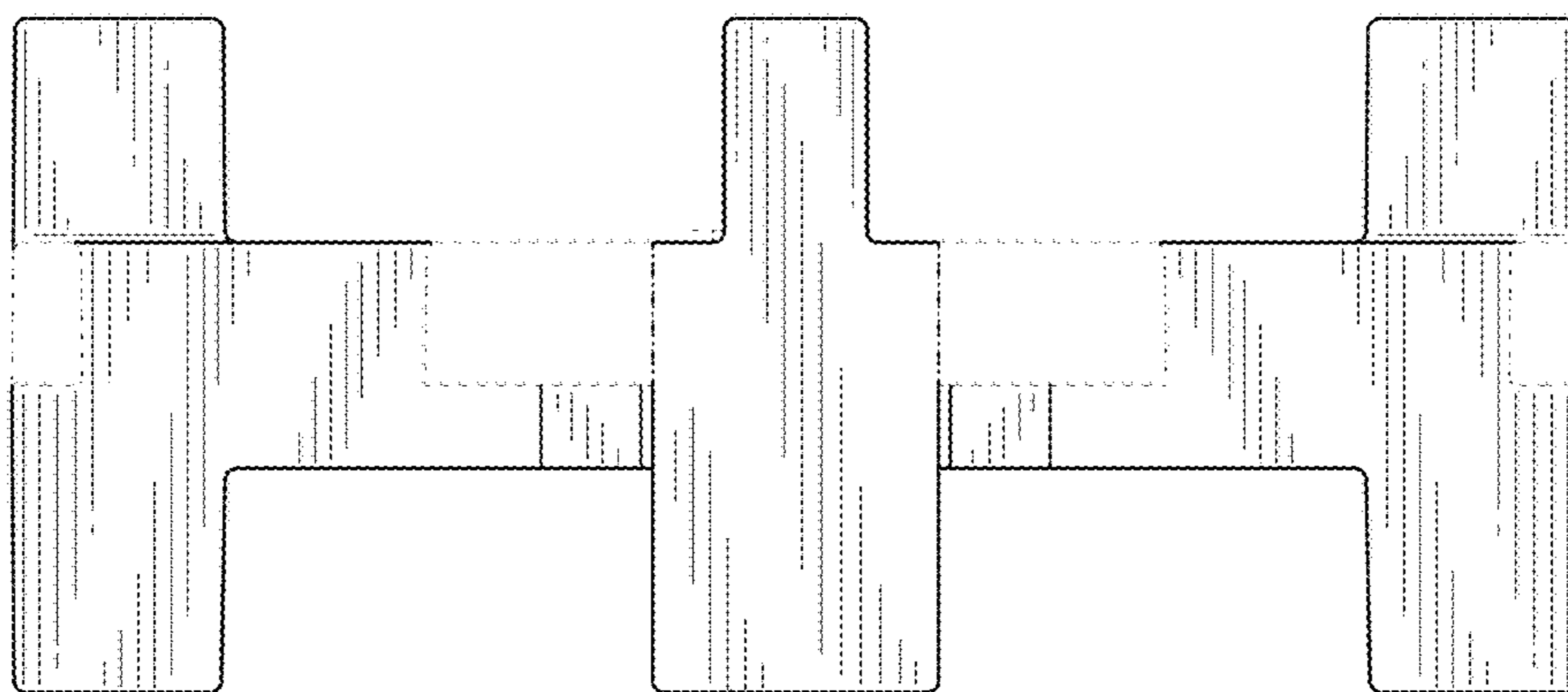


FIG. 24