



US00D848818S

(12) **United States Design Patent** (10) **Patent No.:** **US D848,818 S**
Ronge (45) **Date of Patent:** **** May 21, 2019**

(54) **KEY BOW**

CPC E05B 19/04; E05B 19/24
See application file for complete search history.

(71) Applicant: **ASSA ABLOY BRANDING S.A.R.L.**,
Luxembourg (LU)

(56) **References Cited**

(72) Inventor: **Christof Ronge**, Luxembourg (LU)

U.S. PATENT DOCUMENTS

(**) Term: **15 Years**

D225,301 S *	12/1972	Uliano	D8/348
D293,549 S *	1/1988	Stinson	D8/347
D357,622 S *	4/1995	Boutin	D8/347
D406,046 S *	2/1999	Coe	D8/347
D426,452 S *	6/2000	McElroy	D8/347

(21) Appl. No.: **35/504,062**

* cited by examiner

(22) Filed: **May 30, 2017**

Primary Examiner — Eliza Z Bennett-Hattan

(80) **Hague Agreement Data**

Int. Filing Date: **May 30, 2017**

(57) **CLAIM**

Int. Reg. No.: **DM/096372**

The ornamental design for a key bow, as shown and described.

Int. Reg. Date: **May 30, 2017**

Int. Reg. Pub. Date: **Dec. 1, 2017**

DESCRIPTION

(30) **Foreign Application Priority Data**

Dec. 8, 2016 (EM) 003507409

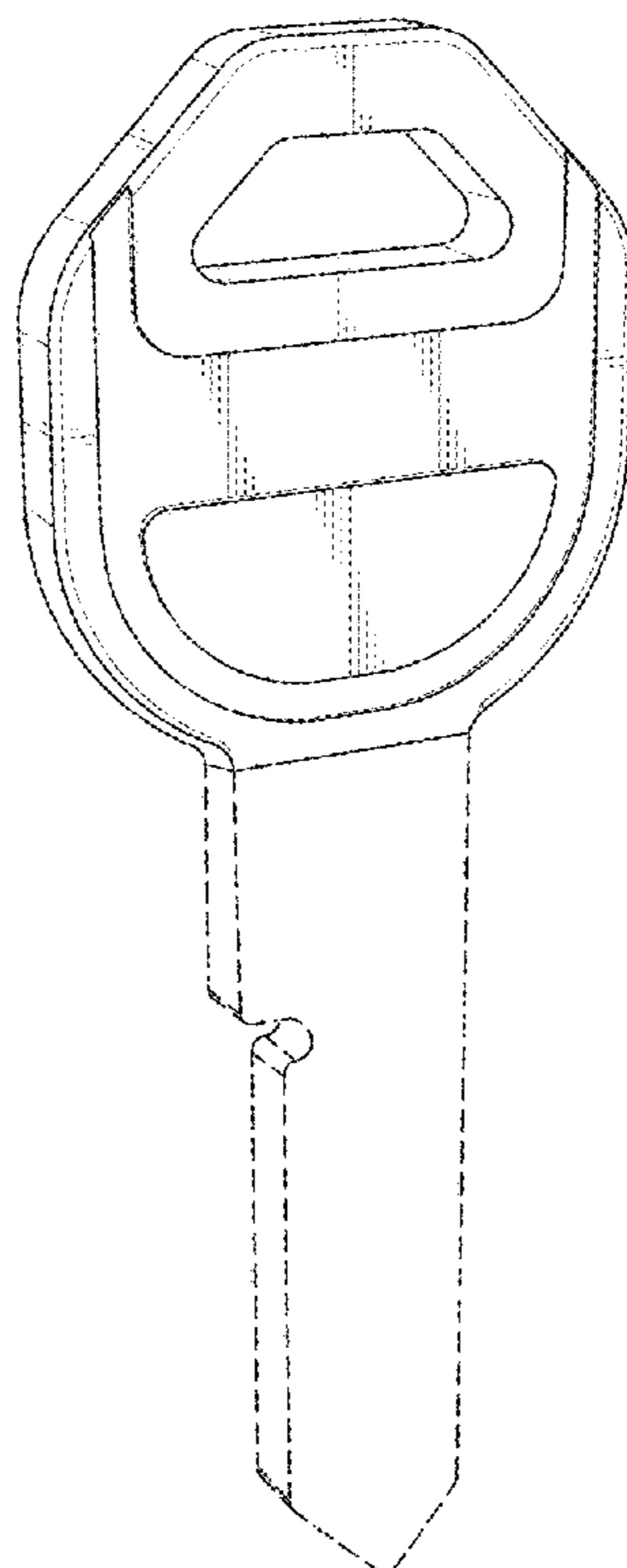
(51) **LOC (11) Cl.** **08-07**

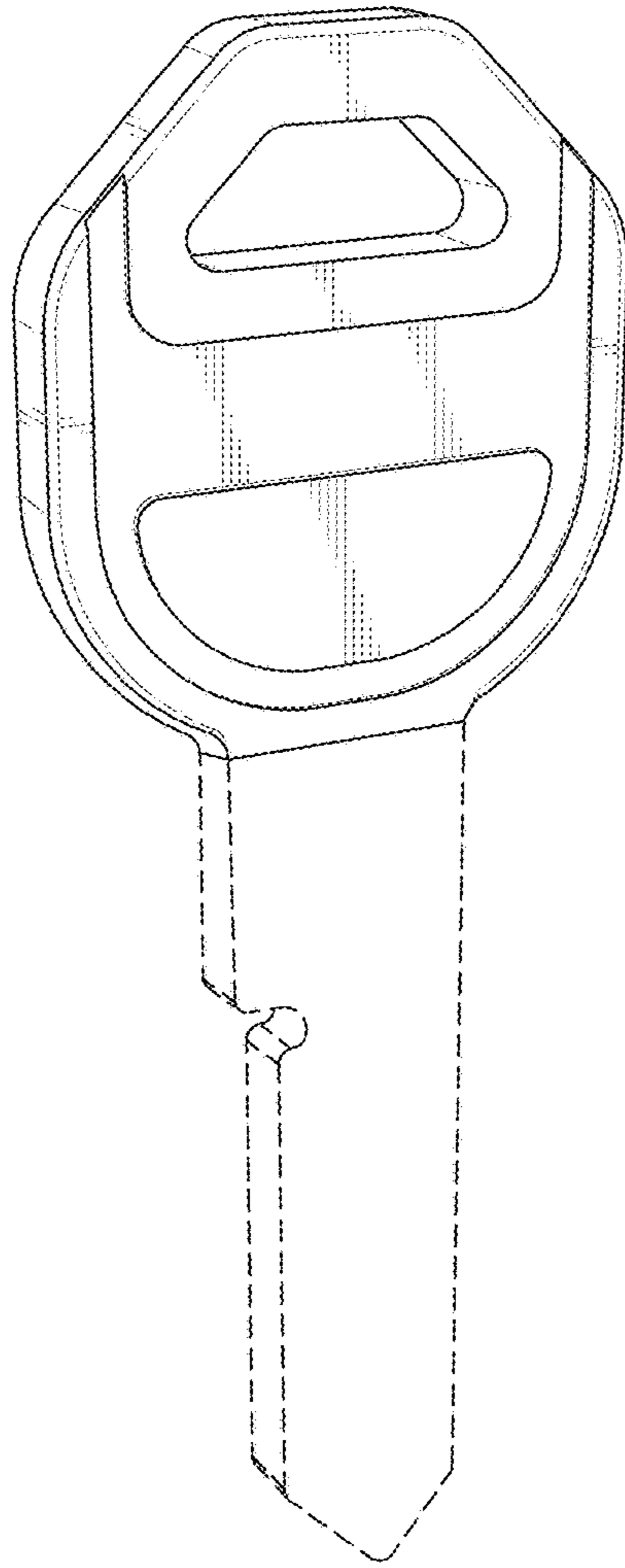
(52) **U.S. Cl.**
USPC **D8/347**

(58) **Field of Classification Search**
USPC D8/346, 347, 348, 331, 19; 70/336

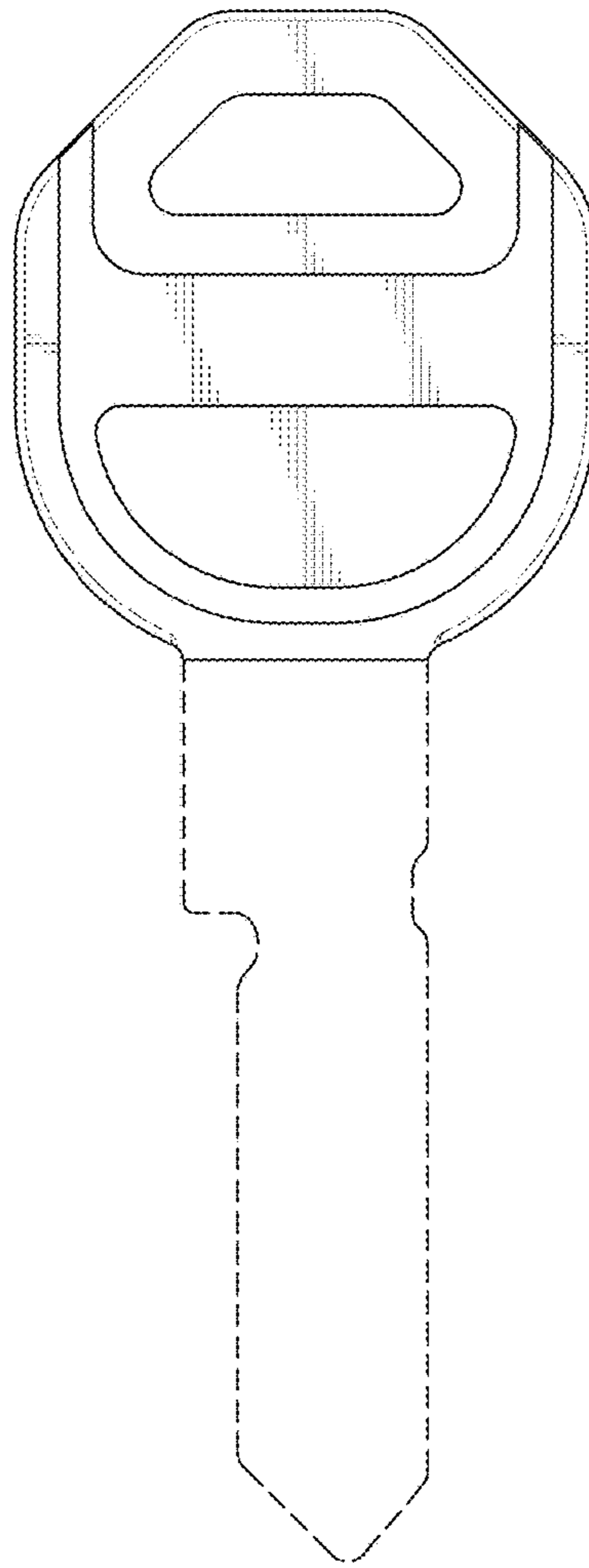
1. Key bow
1.1 is a top perspective view of a key bow;
1.2 is a front view thereof;
1.3 is a rear view thereof; and
1.4 is a side view thereof.
 Broken lines show an associated key blade that is unclaimed and forms no part of the invention.

1 Claim, 4 Drawing Sheets

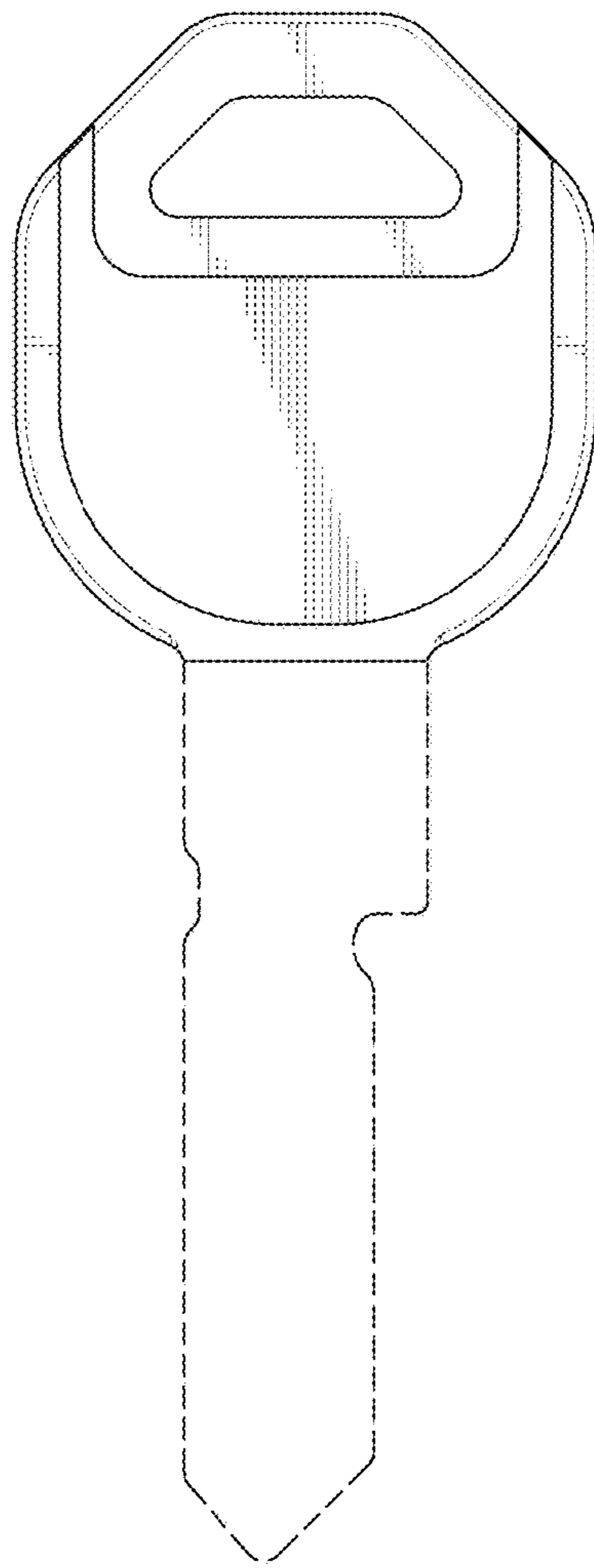




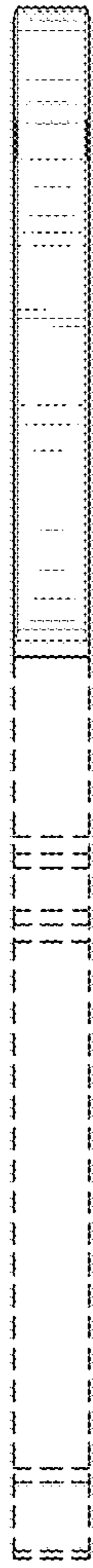
1.1



1.2



1.3



1.4