



US00D848817S

(12) **United States Design Patent**
Hanlon

(10) **Patent No.:** **US D848,817 S**

(45) **Date of Patent:** **** May 21, 2019**

(54) **FOOT FOR A UTILITY STAND**

(71) Applicant: **JS Products, Inc.**, Las Vegas, NV (US)

(72) Inventor: **Jared W. Hanlon**, Las Vegas, NV (US)

(73) Assignee: **JS Products, Inc.**, Las Vegas, NV (US)

(**) Term: **15 Years**

(21) Appl. No.: **29/545,597**

(22) Filed: **Nov. 13, 2015**

(51) **LOC (11) Cl.** **08-06**

(52) **U.S. Cl.**
USPC **D8/322**

(58) **Field of Classification Search**
USPC D8/330, 331, 338, 340, 341, 343, 381,
D8/346, 403, 322, 321
CPC E05B 13/00; E05B 15/00; E05B 17/00
See application file for complete search history.

(56) **References Cited**

U.S. PATENT DOCUMENTS

D396,407 S *	7/1998	Jennings	D8/400
D430,786 S *	9/2000	Hickman	D8/321
6,279,863 B1 *	8/2001	Hall	E06B 9/323 160/902
D679,167 S *	4/2013	Phill	D8/107
D772,051 S *	11/2016	Martin	D8/346
D791,717 S *	7/2017	Uusitalo	D13/160

D817,750 S *	5/2018	Subbiah	D8/381
2004/0211946 A1 *	10/2004	Farrara	B66F 7/28 254/90
2015/0068842 A1 *	3/2015	Moss	E06C 1/32 182/200
2018/0179819 A1 *	6/2018	Mora	E06C 7/14

* cited by examiner

Primary Examiner — Janice Hallmark

Assistant Examiner — Harold E Blackwell, II

(74) *Attorney, Agent, or Firm* — Weide & Miller, Ltd.

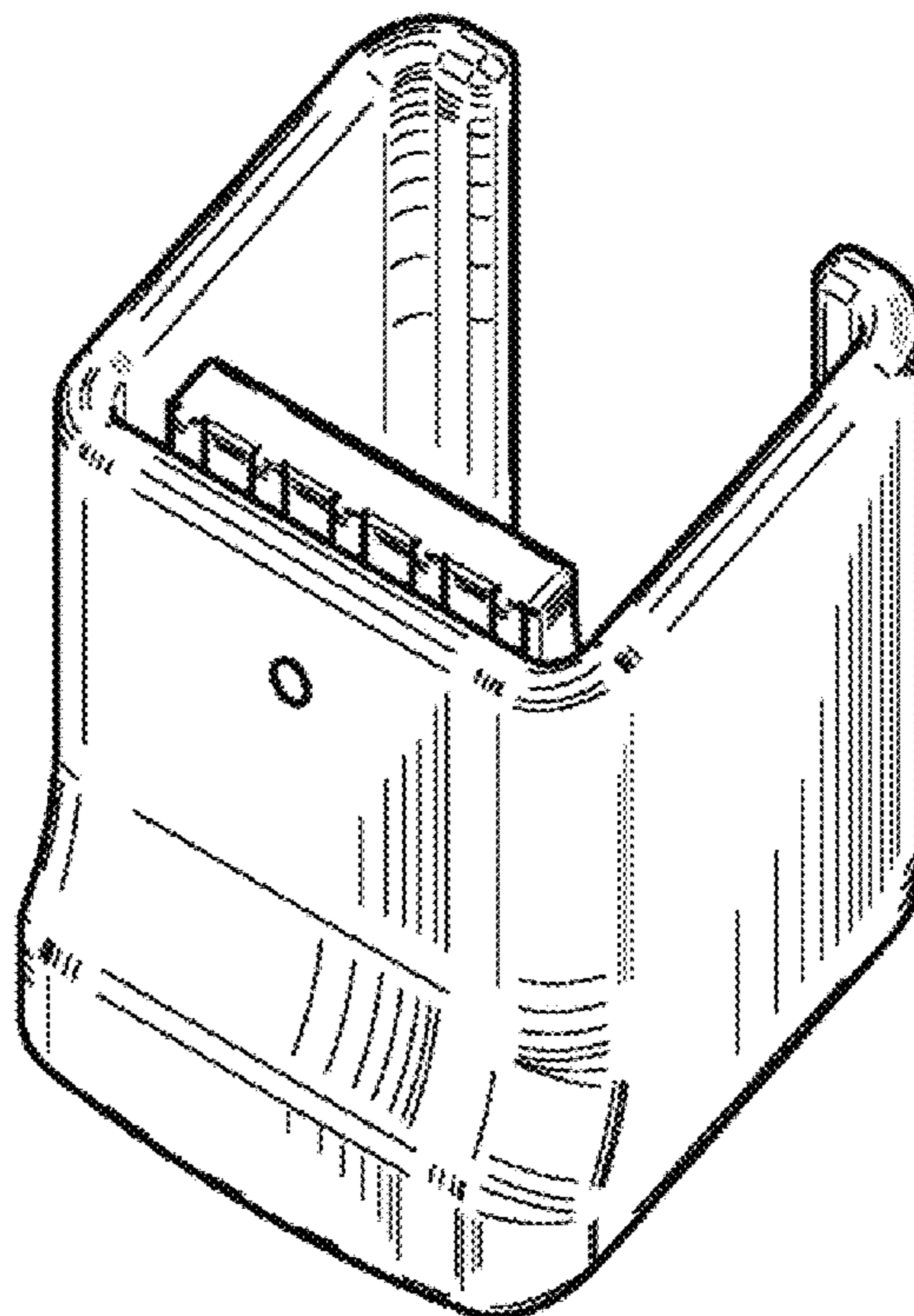
(57) **CLAIM**

The ornamental design for a foot for a utility stand, as shown and described.

DESCRIPTION

FIG. 1 is a top perspective view of a foot for a utility stand; FIG. 2 is a bottom perspective view of the foot for a utility stand; FIG. 3 is a front view of the foot utility stand; FIG. 4 is a back-side view of the foot for a utility stand; FIG. 5 is a top view of the foot for a utility stand; FIG. 6 is a bottom view of the foot for a utility stand; FIG. 7 is a left side view of the foot for a utility stand; and, FIG. 8 is a right side view of a foot for a utility stand.

1 Claim, 3 Drawing Sheets



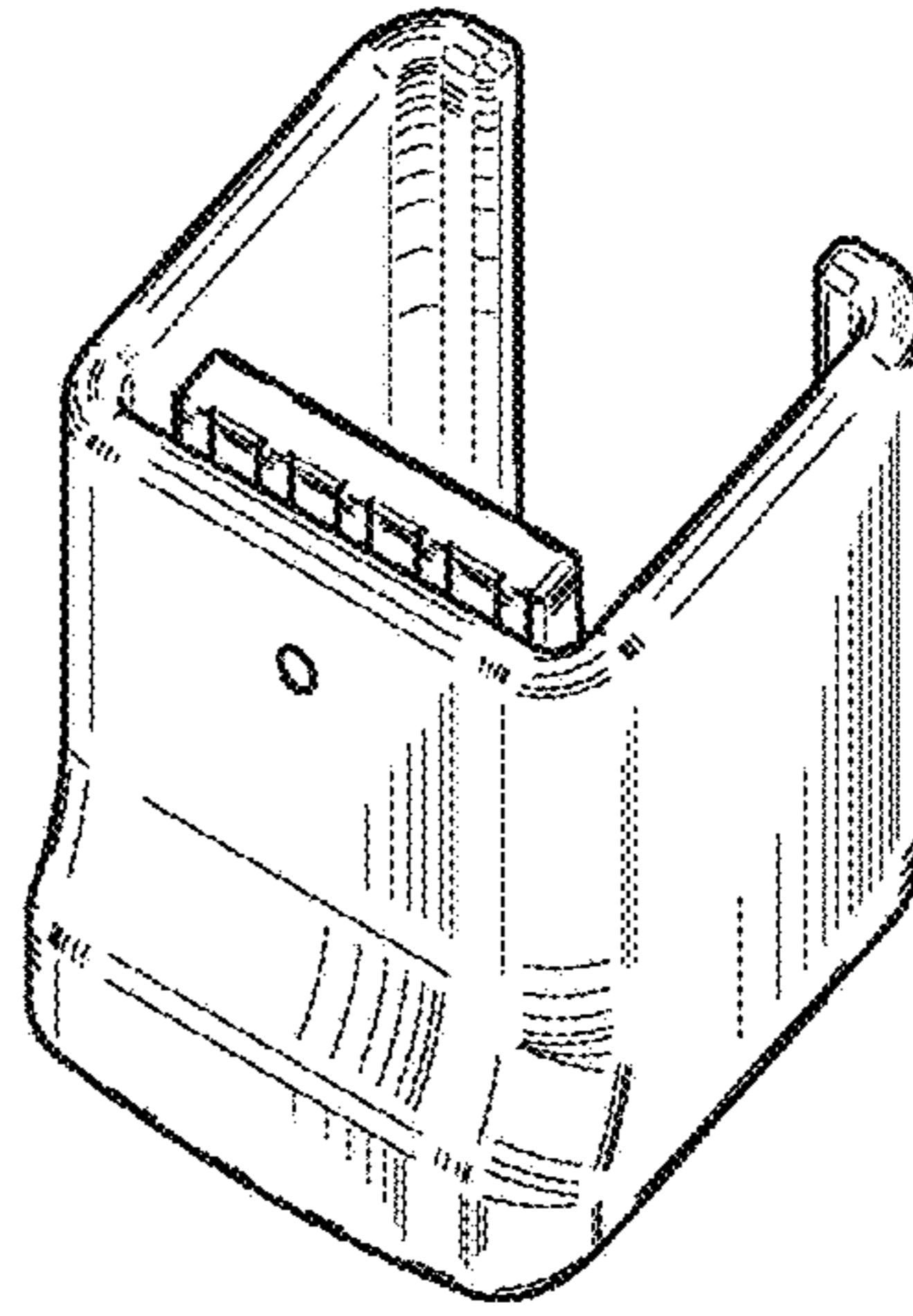


FIG. 1

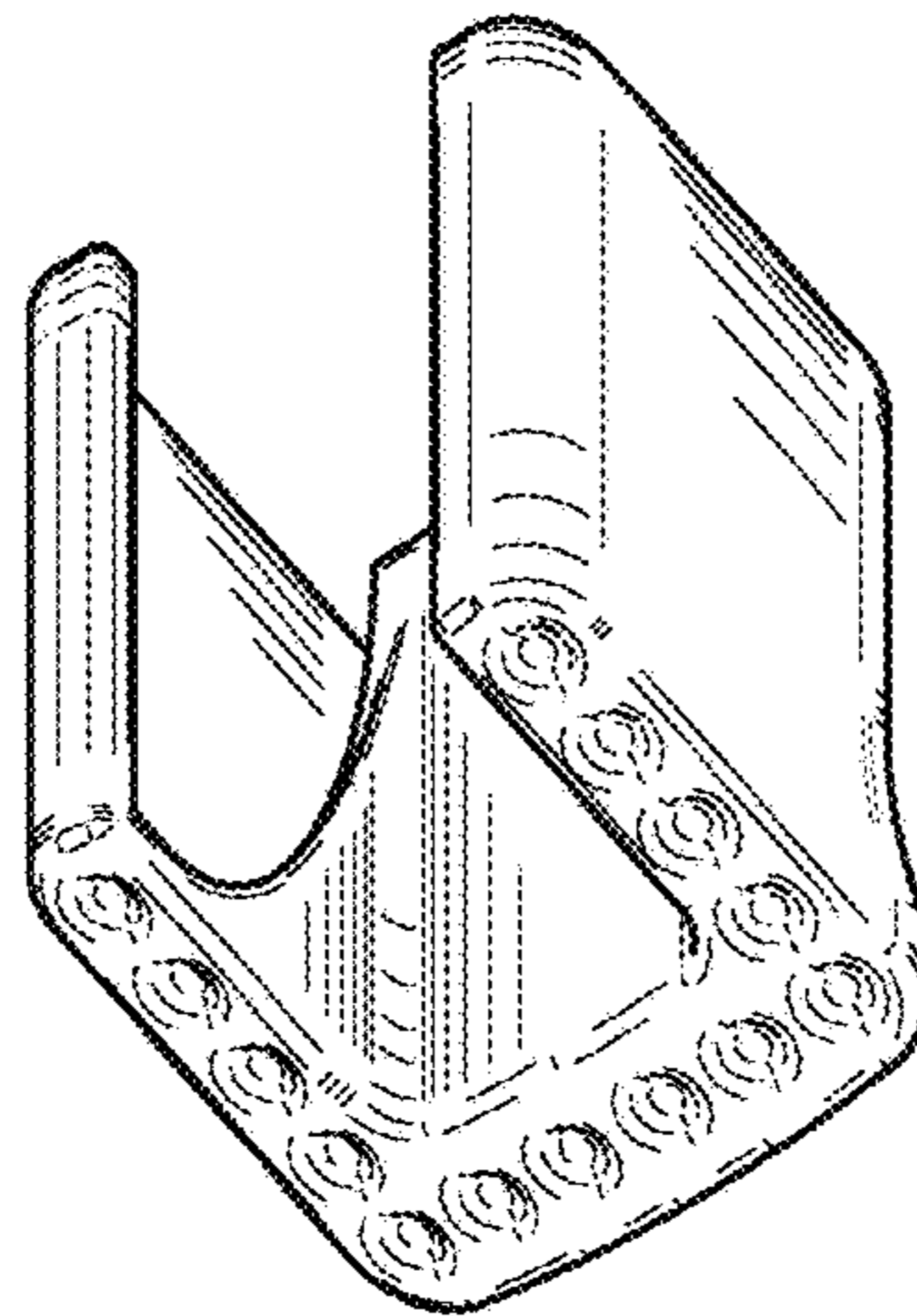


FIG. 2

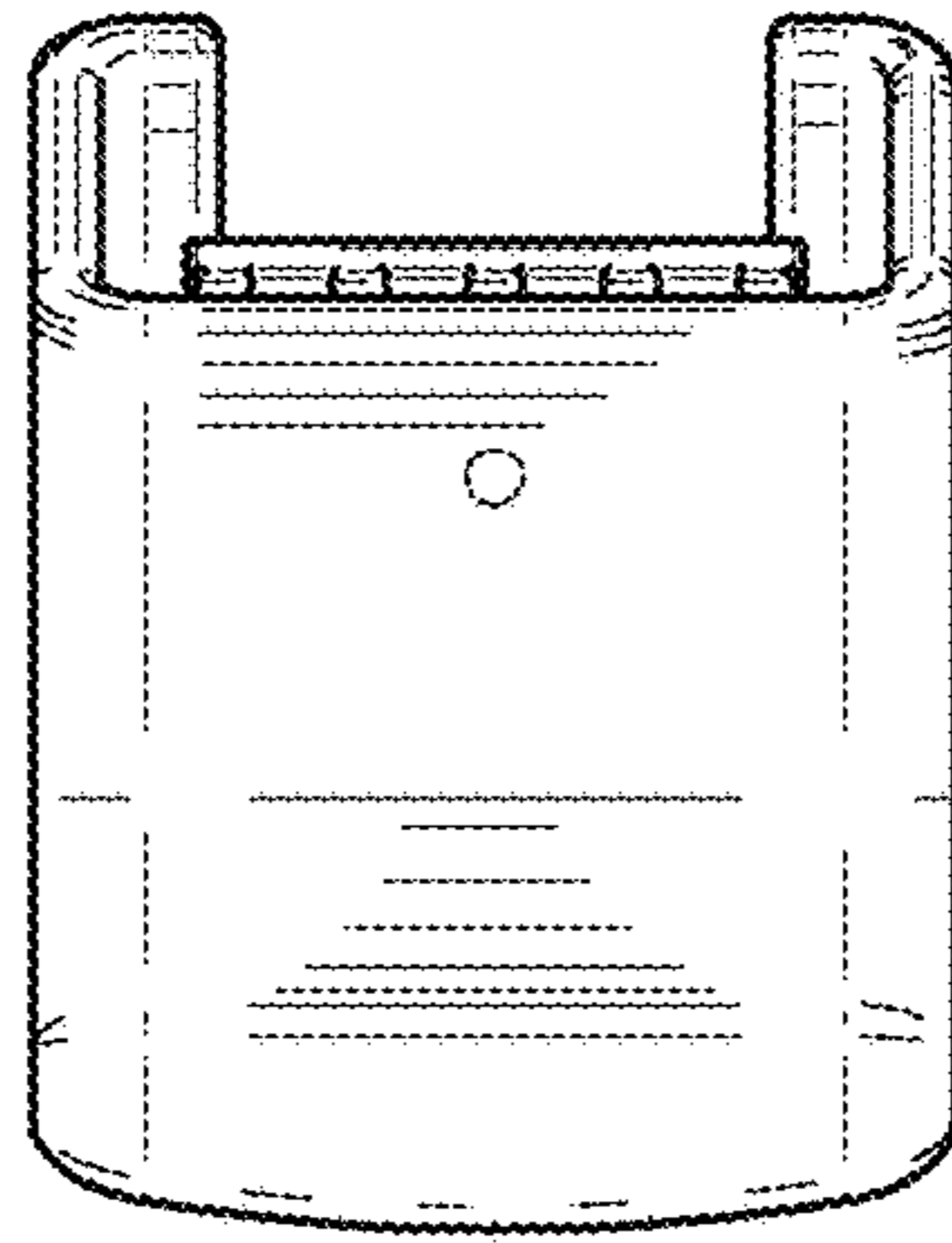


FIG. 3

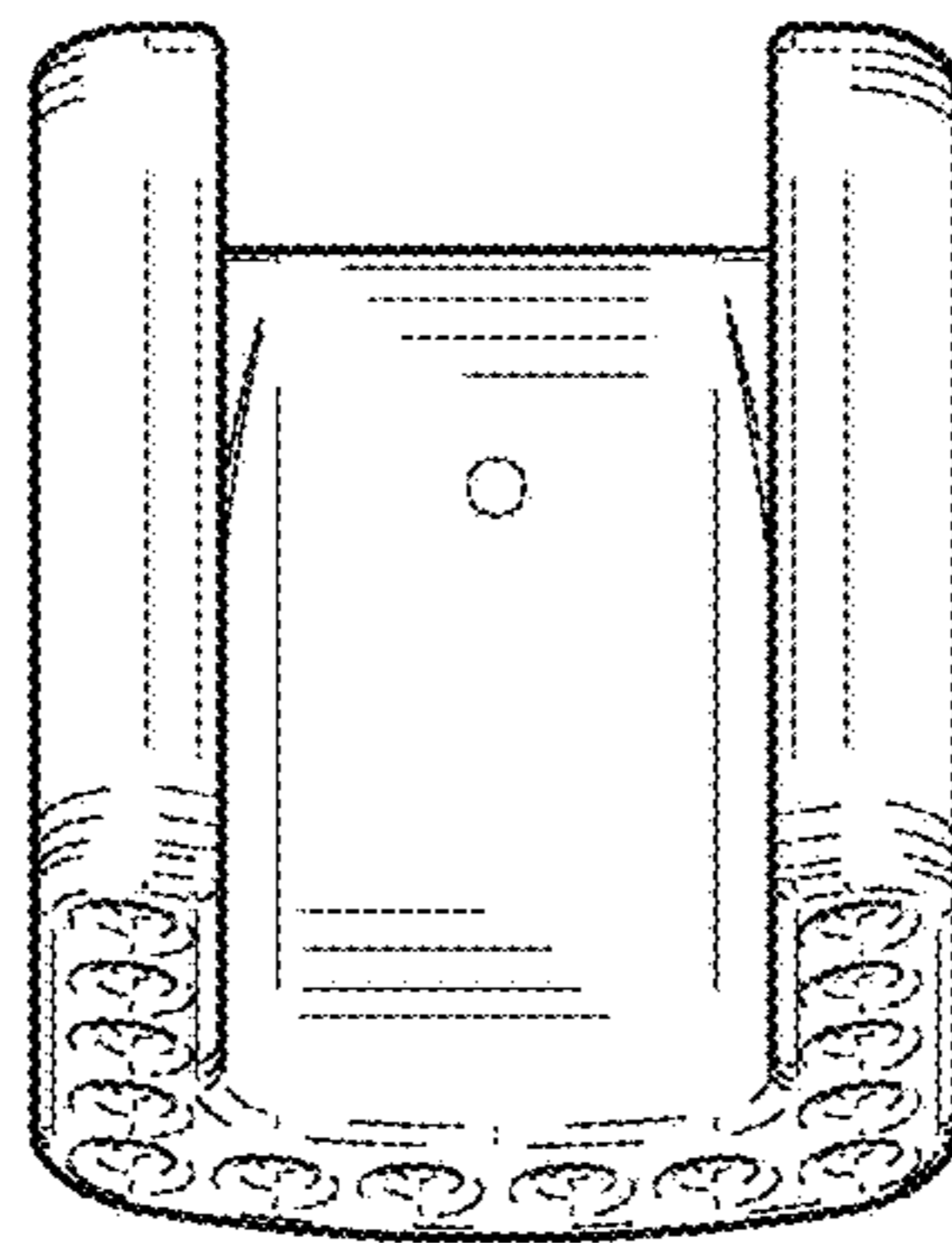


FIG. 4

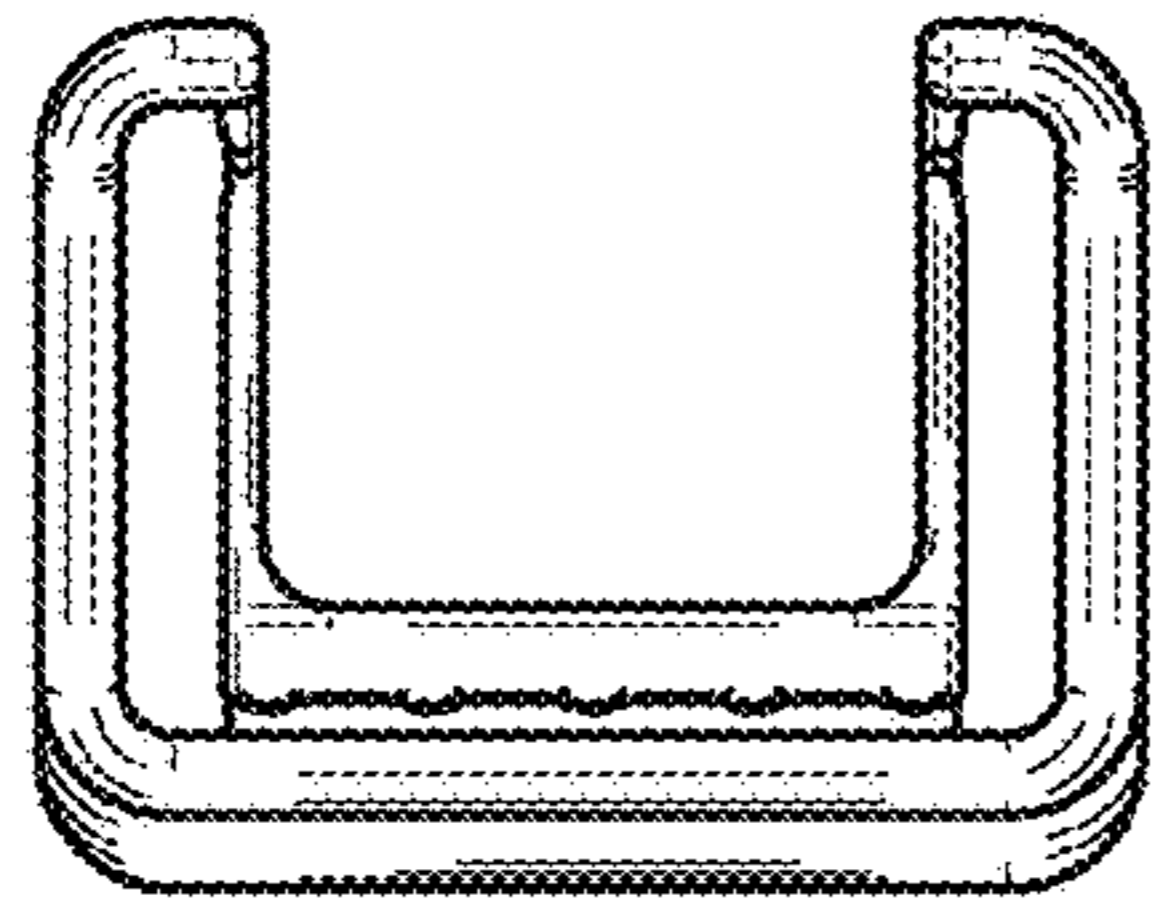


FIG. 5

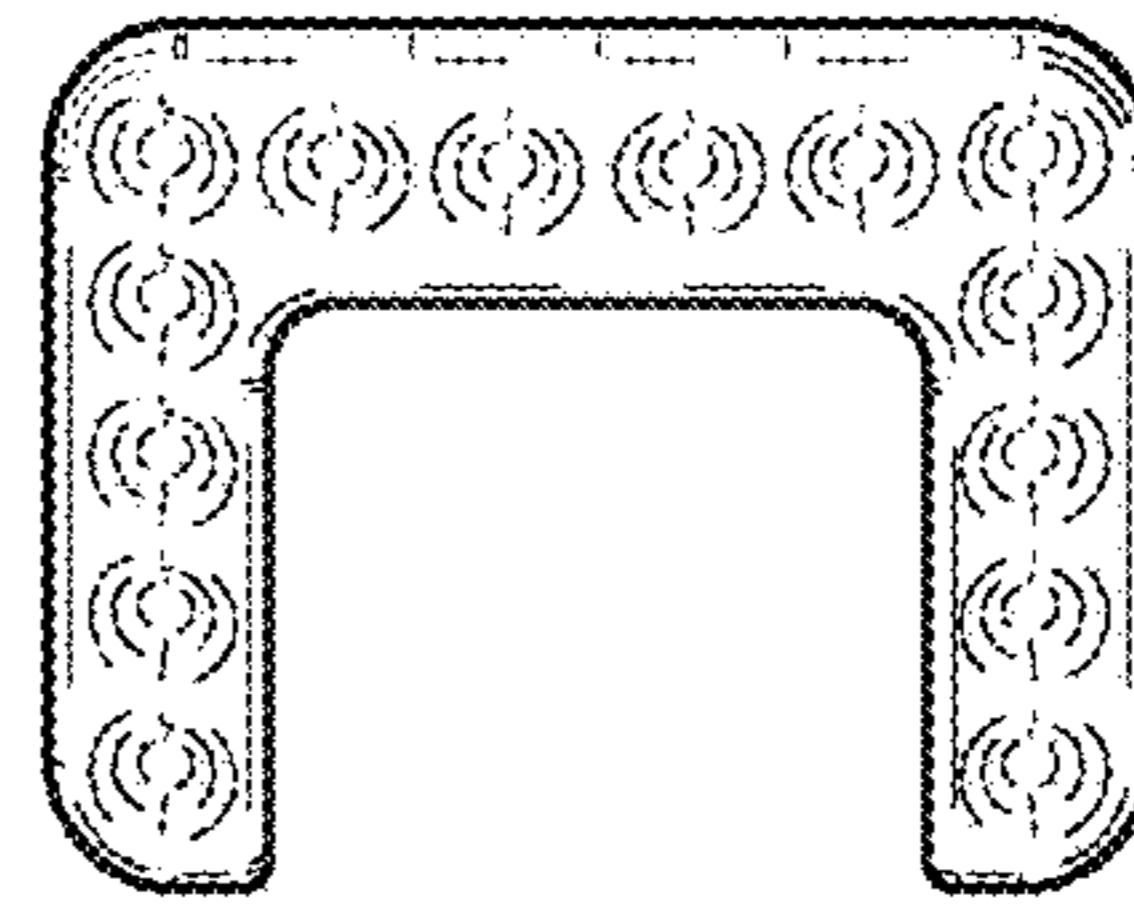


FIG. 6

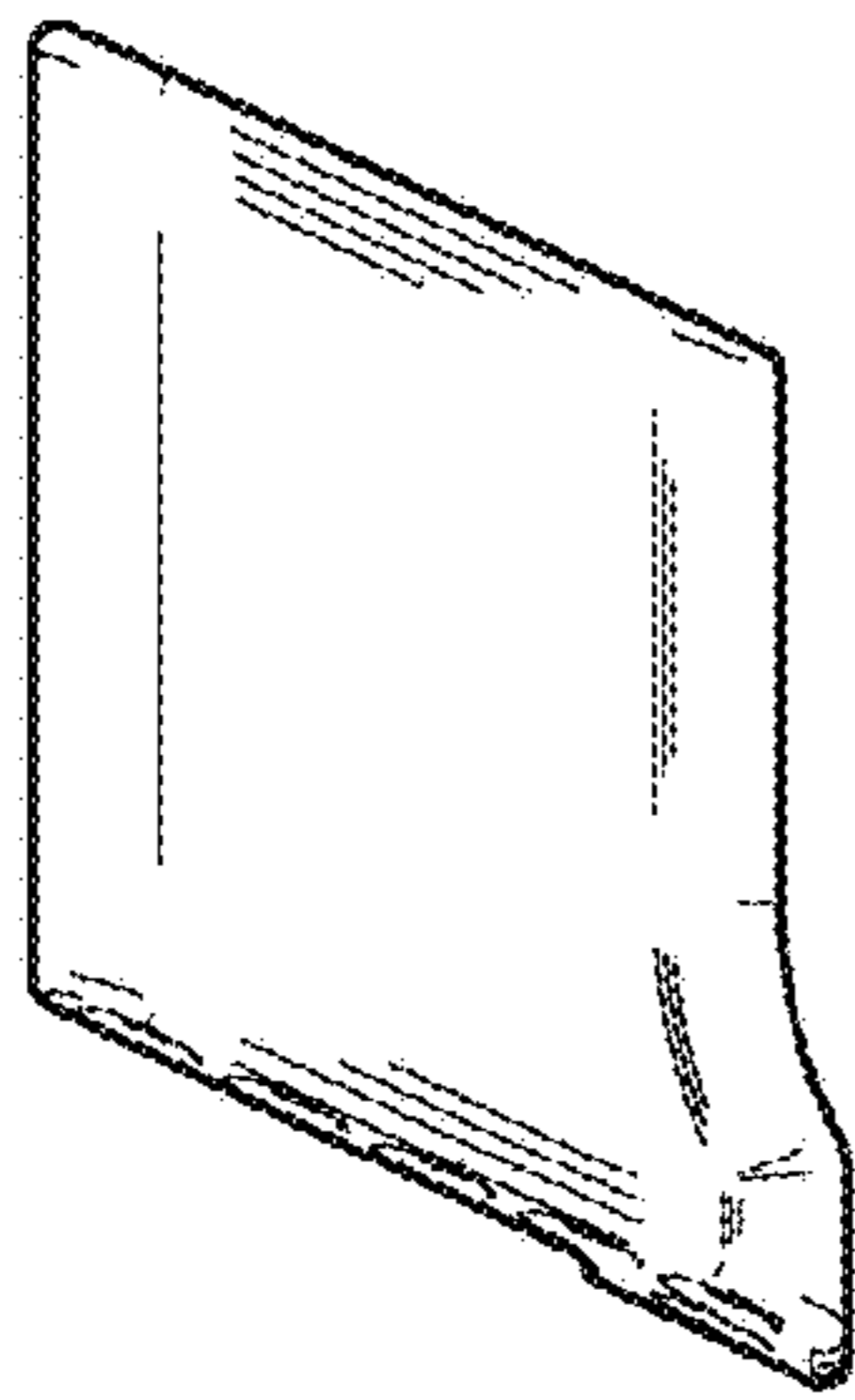


FIG. 7

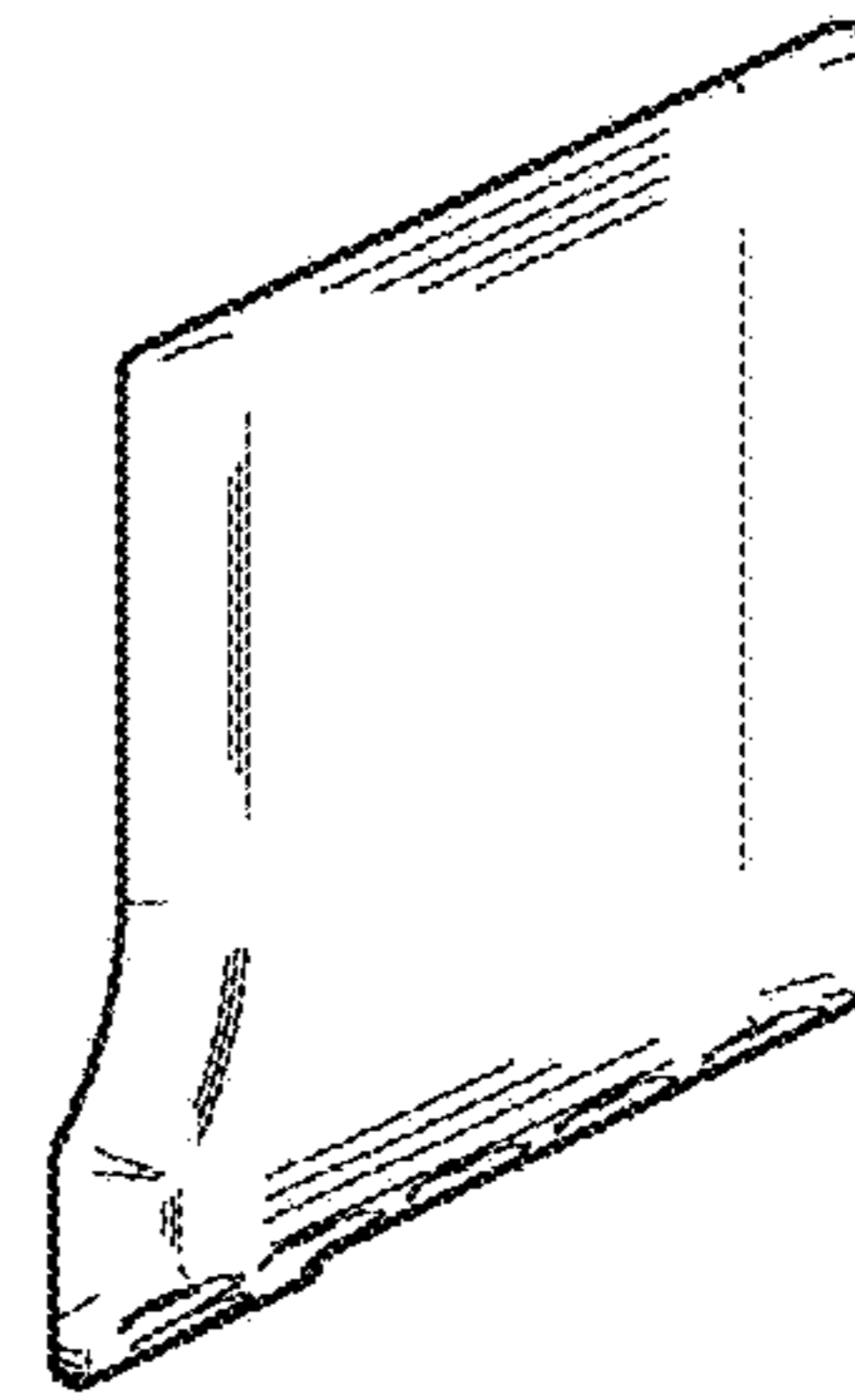


FIG. 8