



US00D848813S

(12) **United States Design Patent** (10) **Patent No.:** **US D848,813 S**  
**Kelleghan** (45) **Date of Patent:** **\*\* May 21, 2019**

(54) **CARABINER WITH TOOL SURFACES**  
(71) Applicant: **Bison Designs, LLC**, Longmont, CO (US)  
(72) Inventor: **Brian James Kelleghan**, Longmont, CO (US)  
(73) Assignee: **Bison Designs, Inc.**, Boulder, CO (US)

D285,989 S 10/1986 MacDonald  
4,622,724 A 11/1986 Dupre  
4,742,619 A 5/1988 Swanson  
D302,232 S \* 7/1989 Hoffman ..... D8/18  
D302,514 S \* 8/1989 Gates ..... D8/105  
D303,212 S 9/1989 Crowle  
D334,693 S \* 4/1993 Burke ..... D8/17  
D356,240 S \* 3/1995 Meldahl ..... D8/105  
D391,840 S 3/1998 Striebel

(Continued)

(\*\*) Term: **15 Years**

**FOREIGN PATENT DOCUMENTS**

(21) Appl. No.: **29/633,361**

CN 301481529 3/2011

(22) Filed: **Jan. 12, 2018**

**OTHER PUBLICATIONS**

**Related U.S. Application Data**

<https://bisondesigns.com/products/kool-tool%C2%AE-klip-standard> Oct. 15, 2018 (Year: 2018).\*

(62) Division of application No. 29/567,164, filed on Jun. 6, 2016, now Pat. No. Des. 808,240, which is a division of application No. 29/516,792, filed on Feb. 5, 2015, now Pat. No. Des. 758,824, which is a division of application No. 29/480,031, filed on Jan. 22, 2014, now Pat. No. Des. 733,516.

(Continued)

*Primary Examiner* — Leanne Was-Englehart  
(74) *Attorney, Agent, or Firm* — Polson Intellectual Property Law, PC; Margaret Polson

(51) **LOC (11) Cl.** ..... **08-05**

(57) **CLAIM**

(52) **U.S. Cl.**  
USPC ..... **D8/105**

The ornamental design for a carabiner with tool surfaces, as shown and described.

(58) **Field of Classification Search**  
USPC ..... D8/14, 16–19, 21–27, 33, 34, 40, 51, D8/82–84, 87, 105, 356; D22/108  
CPC ..... B25F 1/00; B67B 7/16; B67B 7/44; B67B 7/403  
See application file for complete search history.

**DESCRIPTION**

FIG. 1 is a top side plan view of a carabiner with tool surfaces.

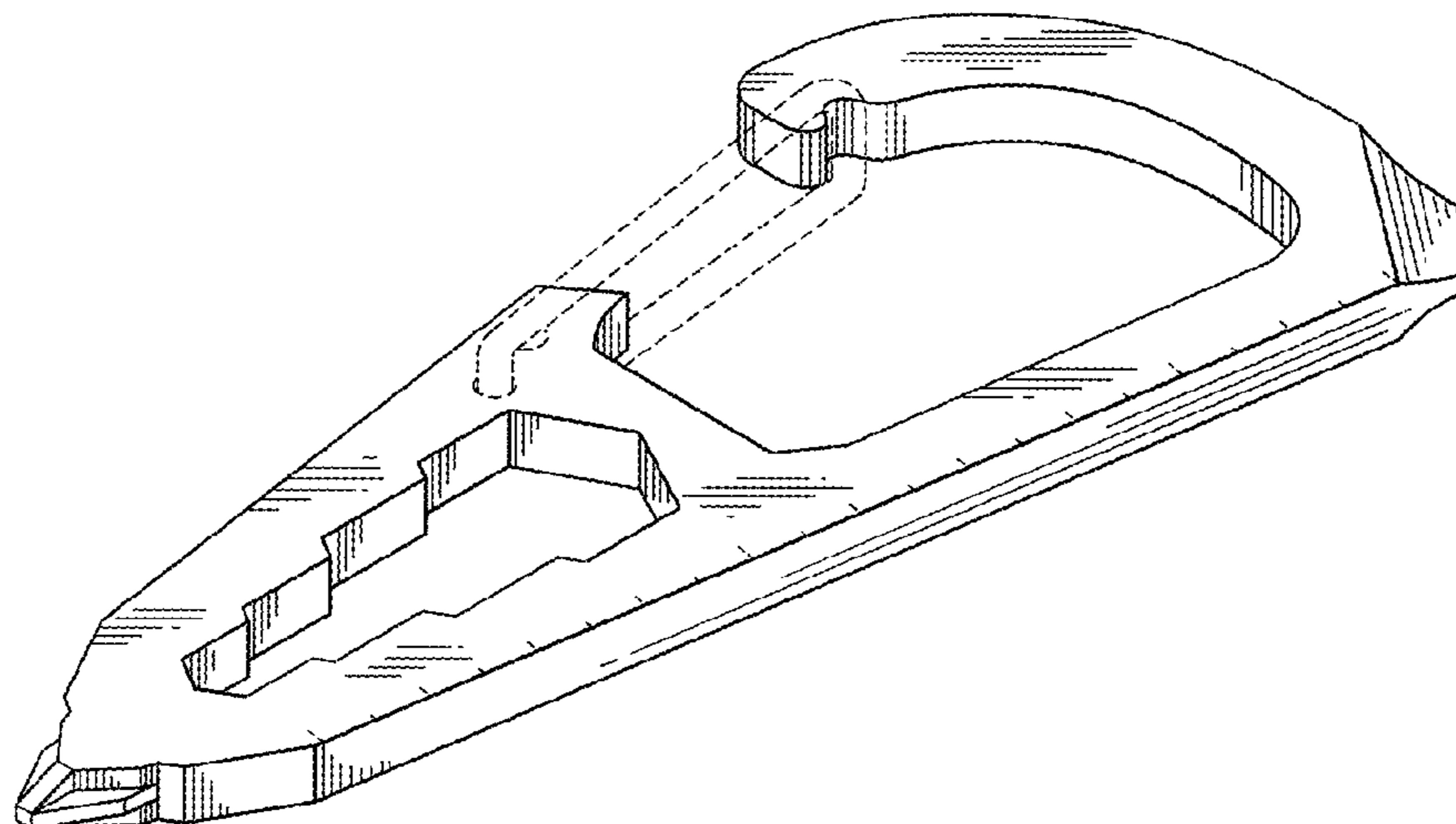
(56) **References Cited**

**U.S. PATENT DOCUMENTS**

457,614 A 8/1891 Green  
D54,394 S 2/1920 Dodge  
D122,575 S 6/1940 Smiley  
2,998,526 A 9/1961 Prete  
D233,405 S 10/1974 Frey  
4,023,606 A 5/1977 Kneissl

FIG. 2 is a bottom side plan view of FIG. 1.  
FIG. 3 is a right side elevation view of FIG. 1.  
FIG. 4 is a left side elevation view of FIG. 1.  
FIG. 5 is a back side elevation view of FIG. 1.  
FIG. 6 is a front side elevation view of FIG. 1; and,  
FIG. 7 is a top side perspective view of FIG. 1.  
The features shown in broken lines form no part of the claimed design. No claim is made to texture, surface finish or surface ornamentation.

**1 Claim, 1 Drawing Sheet**



(56)

References Cited

U.S. PATENT DOCUMENTS

D393,578 S \* 4/1998 Keddie ..... 81/124.4  
 D402,515 S \* 12/1998 McIntyre ..... D8/17  
 D414,995 S 10/1999 Hsieh  
 D419,251 S 1/2000 Parsons et al.  
 D422,731 S 4/2000 Parsons et al.  
 6,070,497 A \* 6/2000 Farelli ..... B67B 7/16  
 81/3.09  
 D434,621 S \* 12/2000 Tonkin ..... D8/17  
 D444,685 S \* 7/2001 Shenkel ..... D3/208  
 D445,655 S \* 7/2001 Maddox ..... D8/105  
 D449,975 S 11/2001 Smith et al.  
 D477,197 S \* 7/2003 Yates ..... D8/19  
 D512,286 S \* 12/2005 Wolf ..... D8/21  
 D514,403 S \* 2/2006 Wolf ..... D8/21  
 7,111,349 B2 9/2006 Goldberg  
 D588,885 S 3/2009 Barber et al.  
 D590,699 S 4/2009 Szymanski et al.  
 7,530,295 B2 \* 5/2009 Jones ..... B25F 1/00  
 81/124.4  
 D594,315 S 6/2009 Szymanski et al.  
 D608,184 S 1/2010 Kelleghan  
 D609,078 S 2/2010 Kelleghan  
 D628,873 S 12/2010 Kelleghan  
 D629,287 S 12/2010 Kelleghan  
 D632,546 S 2/2011 Schmid  
 D642,895 S 8/2011 Kelleghan  
 D666,883 S 9/2012 Howard et al.  
 D670,154 S \* 11/2012 Kelleghan ..... D8/356  
 D693,202 S \* 11/2013 Berman ..... D3/210  
 D705,034 S \* 5/2014 Connell ..... D8/105  
 D709,344 S \* 7/2014 Adelman ..... B25B 15/00  
 D3/208  
 D726,517 S \* 4/2015 Fischer ..... D8/17  
 D733,516 S \* 7/2015 Kelleghan ..... D8/105  
 D737,173 S 8/2015 Kelleghan  
 D739,713 S 9/2015 Kelleghan  
 D756,178 S 6/2016 Kelleghan  
 D758,824 S \* 6/2016 Kelleghan ..... D8/105  
 D768,460 S \* 10/2016 Adelman ..... D8/105  
 D770,250 S \* 11/2016 Fischer ..... D8/17  
 D773,274 S \* 12/2016 Berman ..... D8/105  
 D781,125 S \* 3/2017 Manor ..... D8/105  
 D799,297 S \* 10/2017 Manor ..... D8/105  
 D799,300 S \* 10/2017 Chang ..... D8/105  
 D799,301 S \* 10/2017 Cetera ..... D8/105

D801,139 S \* 10/2017 Cheng ..... D8/19  
 D801,599 S \* 10/2017 Macca ..... D30/199  
 D803,657 S \* 11/2017 Hawker ..... D8/105  
 D807,725 S \* 1/2018 Chalfant ..... D8/105  
 D808,240 S \* 1/2018 Kelleghan ..... D8/105  
 9,975,234 B2 \* 5/2018 Berman ..... B25F 1/04  
 2004/0149516 A1 8/2004 Kwak et al.  
 2005/0061905 A1 3/2005 Sherman et al.  
 2006/0266160 A1 \* 11/2006 Yeh ..... B67B 7/16  
 81/3.4  
 2008/0016659 A1 1/2008 Peterson  
 2014/0059782 A1 \* 3/2014 Duncan ..... B25F 1/00  
 7/138  
 2016/0167213 A1 6/2016 Adelman et al.  
 2017/0066118 A1 \* 3/2017 Berman ..... B25F 1/04

OTHER PUBLICATIONS

Nite Ize Doohickey Keychain Tool, webpage <http://toolguyd.com/nite-ize-doo-hickey-keychain-tool/>. Nov. 4, 2013.  
<http://zootilitytools.com/> Pocket Monkey tool sold by Zootility Tools.  
<https://bisondesigns.com/Bottle%20Openers/Multi%20Hex> Bison Designs, LLC Multi Hex bottle opener tool.  
<http://www.leatherman.com/831798.html#start=2> CAM pocket tool sold by Leatherman.  
<http://www.leatherman.com/831781.html#start=4> Hail pocket tool sold by Leatherman.  
<http://www.leatherman.com/831784.html#start=5> Hail+Style PS pocket tool sold by Leatherman.  
<http://www.leatherman.com/831860.html#start=6> Jam pocket tool sold by Leatherman.  
<http://www.leatherman.com/831680.html#start=9> Piranha 2 pocket tool sold by Leatherman.  
<http://www.leatherman.com/831778.html#start=12> Rime pocket tool sold by Leatherman.  
 Snowboard hex wrench bottle opener, previously sold by applicant. Doohickey key tool, webpage Mack-Shop.com: <https://www.mack-shop.com/eshop/p/1175/doo-hikey-key-tool>. Aug. 24, 2015.  
 Bison Designs Catalog, Carabiners, website <https://web.archive.org/web/20141018075911/http://bisondesigns.com:80/catalog/carabiners>. Accessed Jun. 20, 2017. 2 pages.  
 Bison Designs :Kool Tool Belt, article on Soldier Systems Daily website: <http://soldiersystems.net/tag/bison-designs/>. Accessed Jun. 20, 2017. 2 pages.

\* cited by examiner

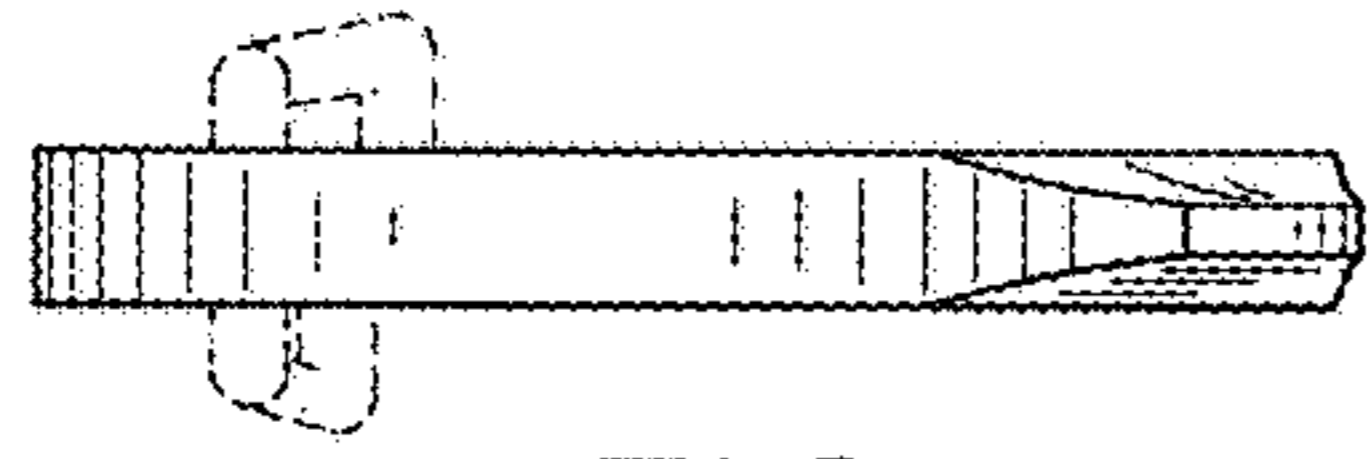


FIG.5

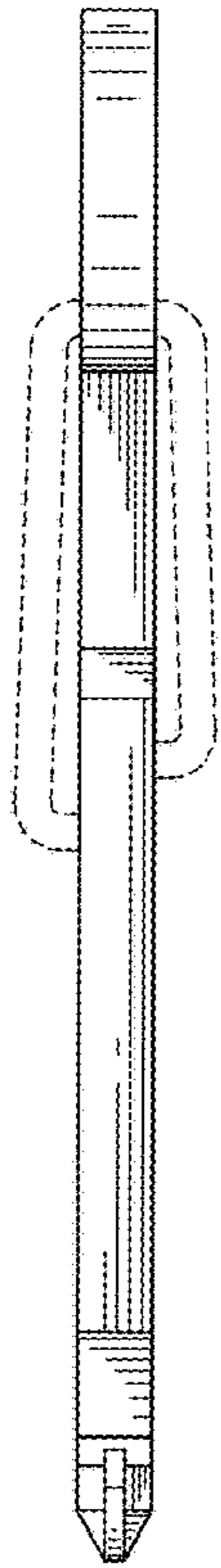


FIG.3

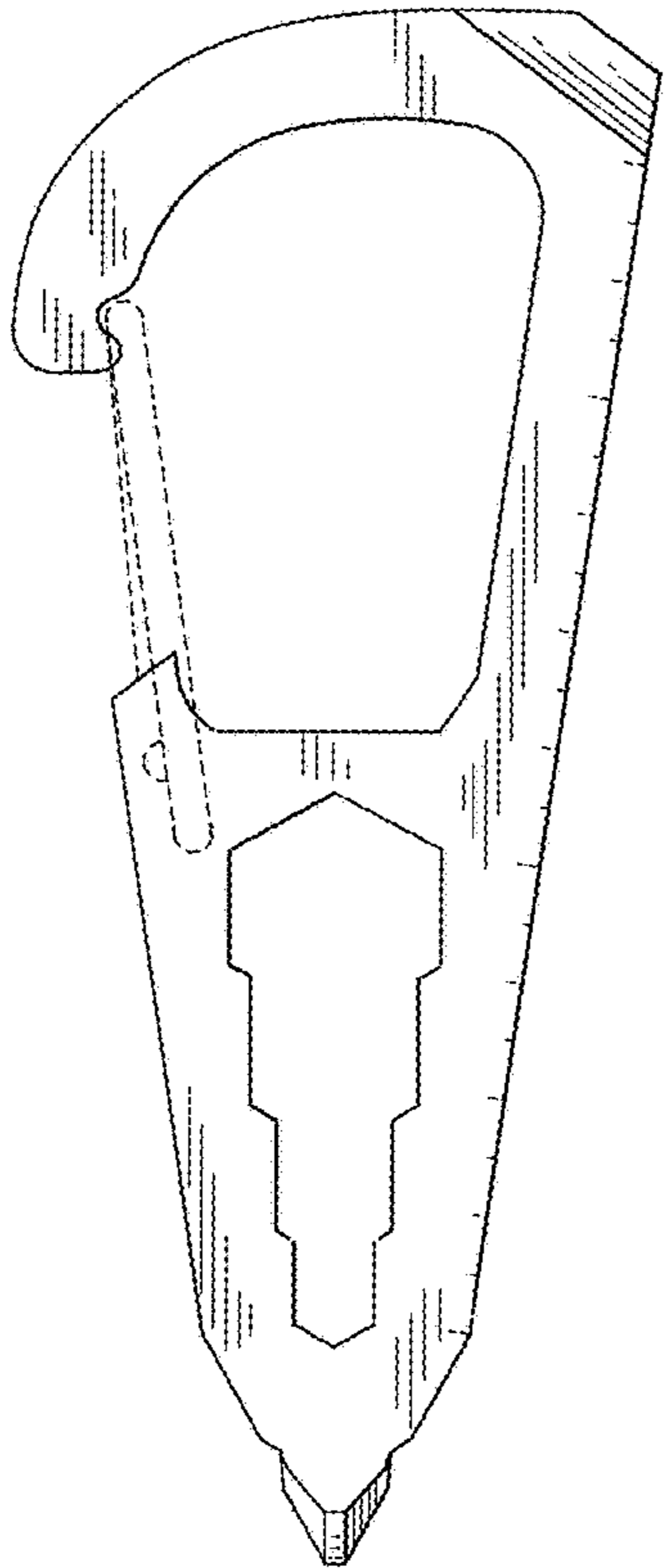


FIG.1

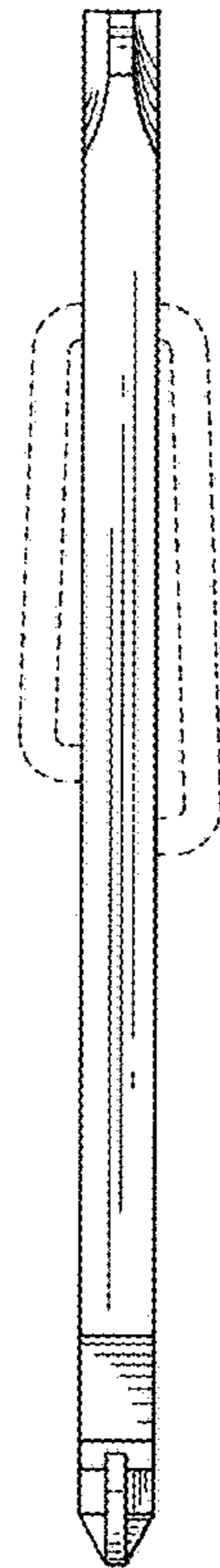


FIG.4

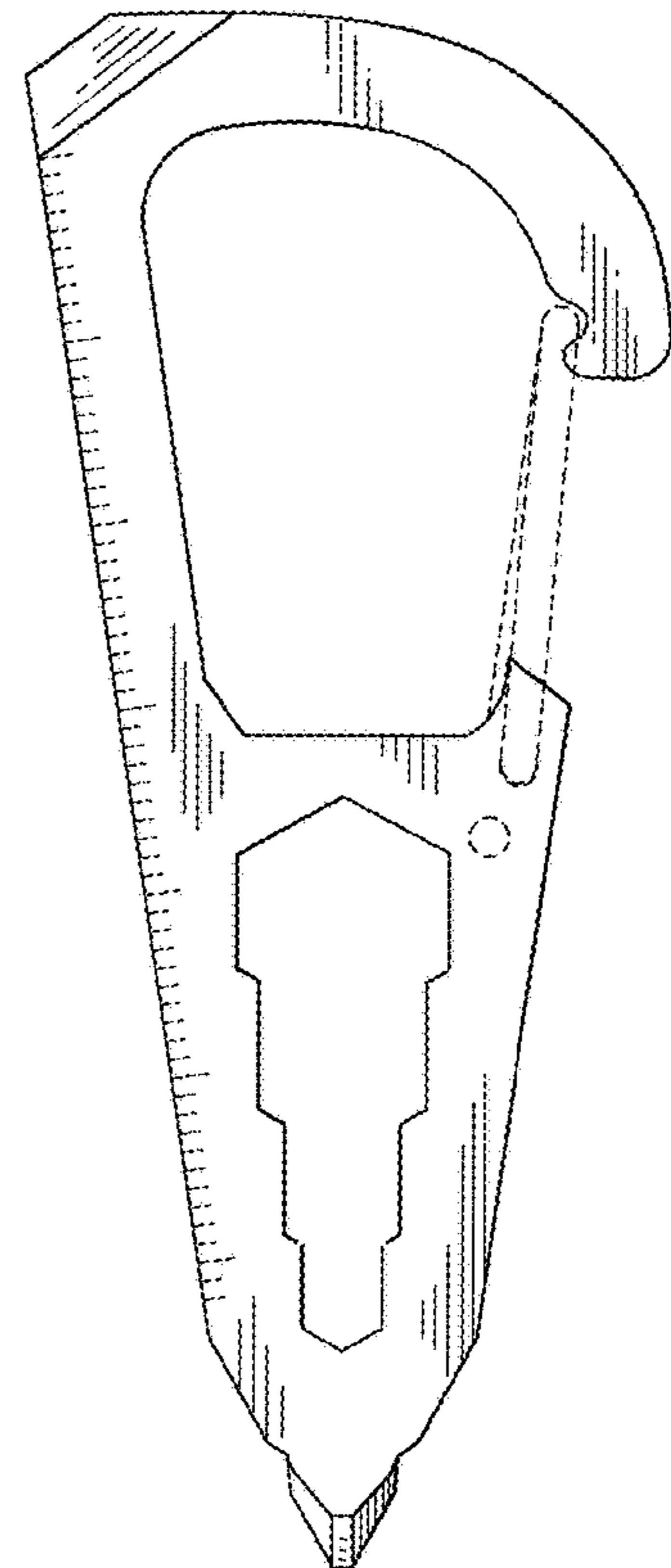


FIG.2

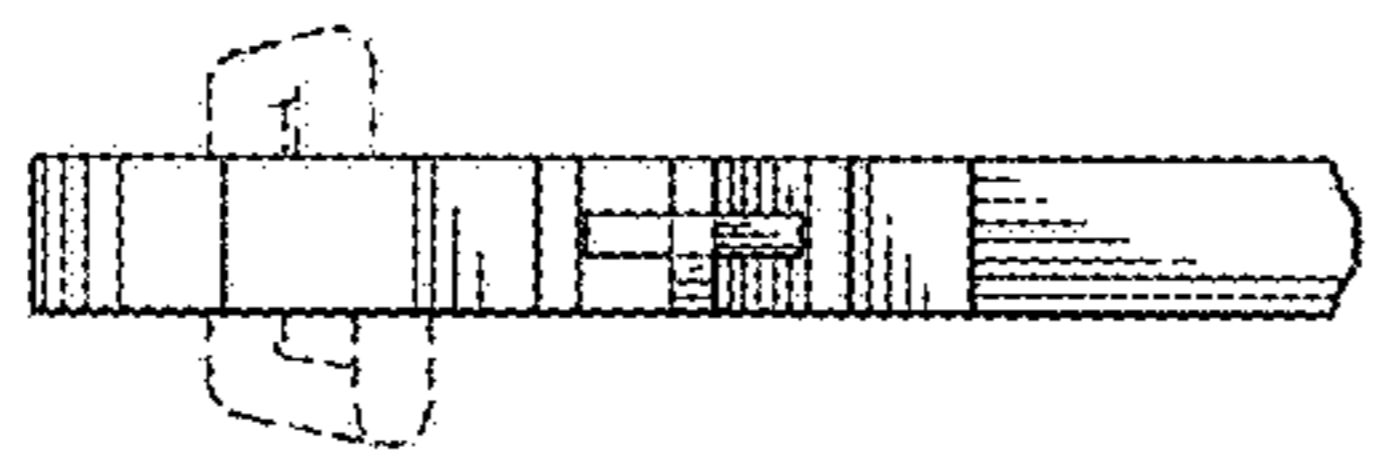


FIG.6

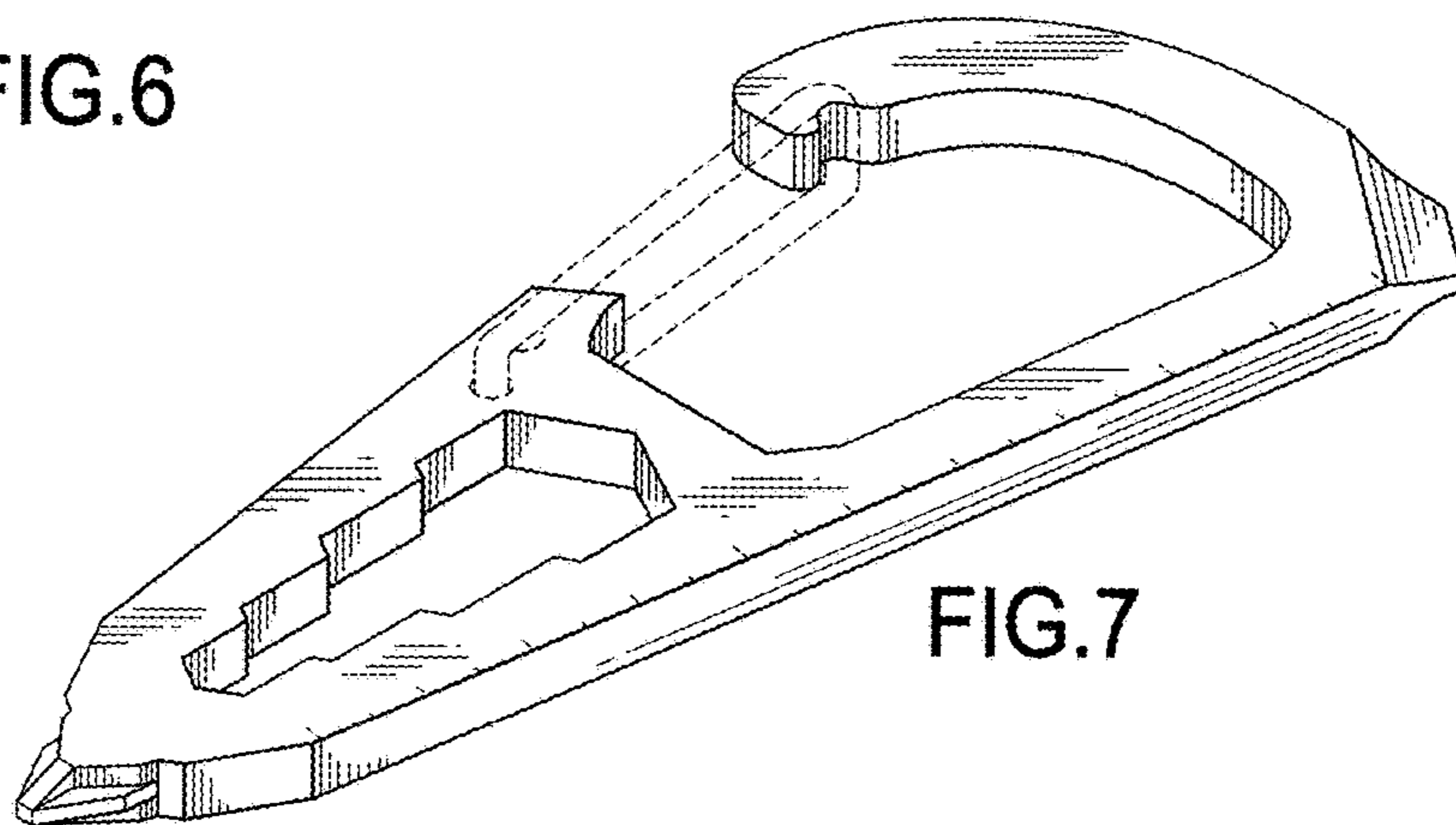


FIG.7