



US00D848812S

(12) **United States Design Patent** (10) **Patent No.:** **US D848,812 S**
Bloch (45) **Date of Patent:** **** May 21, 2019**

(54) **FOLDING KNIFE**

OTHER PUBLICATIONS

(71) Applicant: **Outdoor Edge Cutlery Corporation,**
Denver, CO (US)

U.S. Appl. No. 29/566,349, filed May 27, 2016. Bloch.

(Continued)

(72) Inventor: **David R. Bloch,** Morrison, CO (US)

Primary Examiner — Philip S Hyder

(73) Assignee: **OUTDOOR EDGE CUTLERY**
CORPORATION, Denver, CO (US)

(74) *Attorney, Agent, or Firm* — Lewis Brisbois Bisgaard
& Smith LLP; Craig W. Mueller

(**) Term: **15 Years**

(57) **CLAIM**

The ornamental design for a folding knife, as shown and described.

(21) Appl. No.: **29/551,796**

DESCRIPTION

(22) Filed: **Jan. 15, 2016**

(51) **LOC (11) Cl.** **08-03**

(52) **U.S. Cl.**
USPC **D8/99**

(58) **Field of Classification Search**
USPC D8/98, 99, 100, 107; D22/118
CPC B26B 1/00; B26B 1/02; B26B 1/04; B26B
5/00; B26B 5/006; B26B 1/10; B26B
1/046

FIG. 1 is a perspective view of the folding knife;
FIG. 2 is a front elevation view thereof;
FIG. 3 is a rear elevation view thereof;
FIG. 4 is a left elevation view thereof;
FIG. 5 is a right elevation view thereof;
FIG. 6 is a top plan view thereof;
FIG. 7 is a bottom plan view thereof;
FIG. 8 is a perspective view showing the blade in a second position of use;
FIG. 9 is a perspective view of an alternate embodiment, the only difference being the lower blade edge is not claimed;
FIG. 10 is a perspective view of an alternate embodiment, the only difference being the lower blade edge includes a serrated portion;
FIG. 11 is a front elevation view thereof;
FIG. 12 is a rear elevation view thereof;
FIG. 13 is a left elevation view thereof;
FIG. 14 is a right elevation view thereof;
FIG. 15 is a top plan view thereof;
FIG. 16 is a bottom plan view thereof; and,
FIG. 17 is a perspective view showing the blade in a second position of use.
The broken lines depict portions of the folding knife in which the design is embodied that form no part of the claimed design.

See application file for complete search history.

(56) **References Cited**

U.S. PATENT DOCUMENTS

1,738,365 A 12/1929 Gahaaan
D100,877 S 8/1936 Parker et al.
D172,377 S 6/1954 Woofter
3,488,843 A 1/1970 Tims, Jr.
3,772,955 A 11/1973 Pearl
D229,472 S 12/1973 Collins
3,896,546 A 7/1975 Hildebrandt

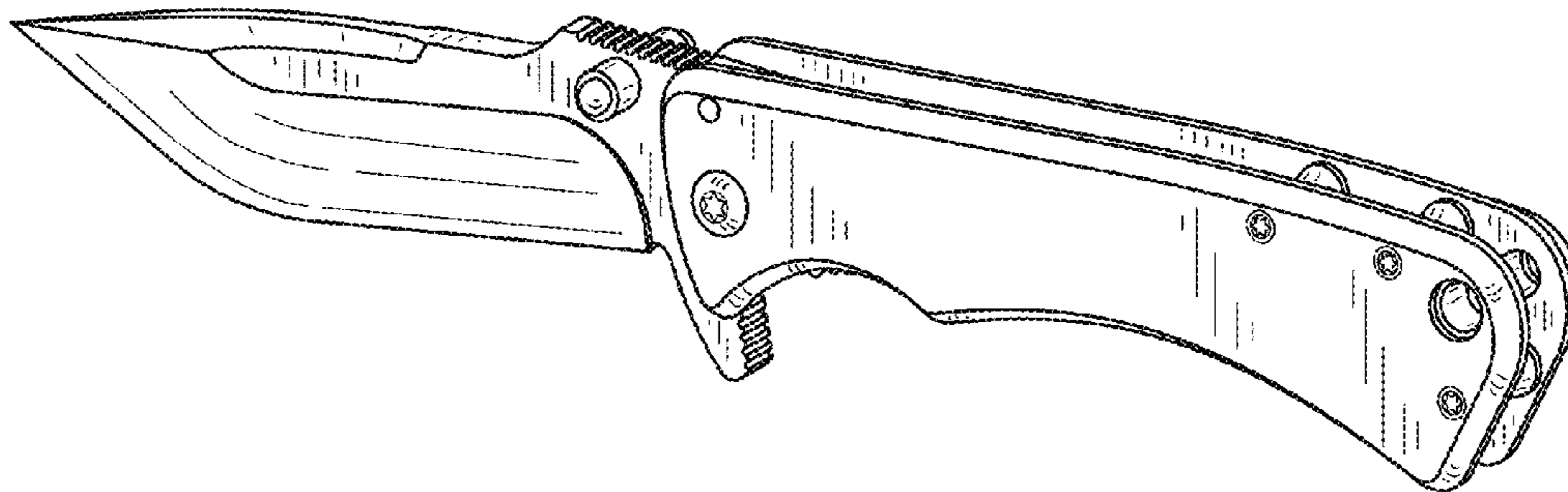
(Continued)

FOREIGN PATENT DOCUMENTS

AU 2006202953 8/2006
CA 2481333 6/2006

(Continued)

1 Claim, 11 Drawing Sheets



(56)

References Cited

U.S. PATENT DOCUMENTS

4,161,818 A 7/1979 Phelps
 4,173,071 A 11/1979 Ishida
 D254,288 S 2/1980 Pharr, Jr.
 D265,719 S 8/1982 Dowdy
 D270,655 S 9/1983 Collins
 D277,452 S 2/1985 Ulvtorp
 4,546,510 A 10/1985 Harrison
 4,607,432 A 8/1986 Montgomery
 4,776,094 A 10/1988 Glesser
 D308,009 S 5/1990 Evrell
 D333,251 S 2/1993 Glesser
 D336,232 S 6/1993 Thompson et al.
 5,511,310 A 4/1996 Sessions et al.
 D371,288 S 7/1996 Thompson
 D379,294 S 5/1997 Lum
 D381,060 S 7/1997 Moran
 D382,189 S 8/1997 Viele
 D383,370 S 9/1997 Chen et al.
 D384,871 S 10/1997 McWillis
 D385,471 S 10/1997 Seber et al.
 5,689,889 A 11/1997 Overholt
 5,689,890 A 11/1997 Glesser
 D387,966 S 12/1997 Horn
 D389,389 S 1/1998 Glesser
 D389,718 S 1/1998 Wegner
 D391,465 S 3/1998 Glesser
 D392,539 S 3/1998 Balolia
 D393,405 S 4/1998 Seber et al.
 5,737,841 A 4/1998 McHenry et al.
 D402,178 S 12/1998 Glesser
 D402,524 S 12/1998 Glesser
 D404,990 S 2/1999 Zowada
 D407,002 S 3/1999 Morton et al.
 D407,620 S 4/1999 Cachot
 D411,431 S 6/1999 Glesser
 D418,383 S 1/2000 Bradichansky
 D421,378 S 3/2000 Glesser
 D422,190 S 4/2000 Zaha
 D422,871 S * 4/2000 Terzuola D8/99
 6,058,611 A 5/2000 Rickard
 6,125,543 A 10/2000 Jhones
 D434,631 S 12/2000 Lum
 D435,420 S 12/2000 Ayooob
 D436,014 S 1/2001 Glesser
 D438,443 S 3/2001 Keating
 D441,827 S 5/2001 Frank
 D442,460 S 5/2001 Glesser
 D442,461 S 5/2001 Glesser
 6,263,581 B1 7/2001 Forte
 6,397,476 B1 6/2002 Onion
 D461,387 S 8/2002 Glesser
 6,446,341 B1 9/2002 Wang et al.
 D464,551 S 10/2002 Glesser
 D474,669 S 5/2003 Onion
 6,574,868 B1 6/2003 Overholt
 D482,258 S 11/2003 Taylor et al.
 D488,045 S * 4/2004 Onion D8/99
 D501,782 S 2/2005 Ping
 D510,250 S 10/2005 Ping
 D516,403 S 3/2006 Ping
 D517,893 S 3/2006 Ping
 D519,019 S 4/2006 Ping
 D522,835 S 6/2006 Ping
 D526,878 S 8/2006 Ping
 D528,894 S 9/2006 Ping
 D528,895 S 9/2006 Ping
 7,134,207 B2 11/2006 Ping
 D535,171 S 1/2007 Ping
 7,172,611 B2 2/2007 Harding et al.
 D543,822 S 6/2007 Ping
 D544,329 S 6/2007 Tansbo et al.
 D545,165 S 6/2007 Ping
 D546,158 S 7/2007 Ping
 D551,050 S 9/2007 Ping
 D552,955 S 10/2007 Ping

D553,469 S 10/2007 Onion
 D562,102 S 2/2008 Pearman
 D562,651 S 2/2008 Harkey
 D564,326 S 3/2008 Tsuda et al.
 D566,222 S 4/2008 Hawk et al.
 D567,055 S 4/2008 Renzi et al.
 D568,136 S 5/2008 Ping
 D569,213 S 5/2008 Renzi et al.
 D573,435 S 7/2008 Tsuda et al.
 D574,691 S 8/2008 Ping
 D578,858 S 10/2008 Ping
 D579,299 S 10/2008 Ping
 D581,240 S 11/2008 Glesser et al.
 D583,643 S 12/2008 Ping
 D584,125 S 1/2009 Ping
 7,480,997 B2 1/2009 Ping
 D592,033 S 5/2009 Bloch
 D593,838 S 6/2009 Williams
 D611,320 S 3/2010 Jeandupeux
 7,676,932 B2 3/2010 Grice
 D614,933 S 5/2010 Freeman
 7,900,363 B1 3/2011 White
 D654,144 S 2/2012 Karlsson et al.
 8,381,407 B1 2/2013 White
 D677,551 S * 3/2013 Pelton B26B 11/006
 D8/99
 D697,780 S 1/2014 Pelton
 D697,980 S * 1/2014 Han D21/342
 D699,315 S 2/2014 Seeds et al.
 8,935,855 B2 1/2015 Qiu
 D728,339 S 5/2015 Bloch
 D738,181 S 9/2015 Kanaan
 D747,637 S 1/2016 Bloch
 D764,888 S 8/2016 Bloch
 D768,458 S * 10/2016 Mingyi D8/99
 D801,775 S * 11/2017 Tsujimoto D8/99
 2004/0226173 A1 11/2004 Ping
 2004/0231169 A1 11/2004 Roberson
 2005/0138816 A1 6/2005 Ping
 2005/0229404 A1 10/2005 Nordqvist et al.
 2006/0064877 A1 3/2006 Vallotton et al.
 2007/0006466 A1 1/2007 Ping
 2007/0294895 A1 12/2007 Ping
 2008/0148576 A1 6/2008 Ping
 2010/0175267 A1 7/2010 Seber et al.
 2010/0299935 A1 12/2010 Ping
 2011/0023308 A1 2/2011 Ping
 2012/0030949 A1 2/2012 Ping
 2012/0227267 A1 9/2012 Qiu
 2013/0227794 A1 9/2013 Wang
 2013/0255087 A1 10/2013 Wang
 2014/0115851 A1 5/2014 Bloch et al.
 2014/0216605 A1 8/2014 Batty

FOREIGN PATENT DOCUMENTS

CN 201677334 12/2010
 CN 102756384 10/2012
 CN 102990680 3/2013
 CN 102990681 3/2013
 EP 1570959 9/2005
 FR 2848138 6/2004
 FR 2864463 7/2005
 FR 2867716 9/2005
 FR 2870152 11/2005
 WO WO 2014/000347 1/2014
 WO WO 2014/082447 6/2014

OTHER PUBLICATIONS

U.S. Appl. No. 29/575,909, filed Aug. 30, 2016, Bloch.
 Official Action for U.S. Appl. No. 14/063,333, dated Aug. 25, 2016
 21 pages.
 Notice of Allowance for U.S. Appl. No. 29/515,058, dated May 11,
 2016, 8 pages.
 Notice of Allowance for U.S. Appl. No. 14/063,333, dated Mar. 2,
 2017 9 pages.

(56)

References Cited

OTHER PUBLICATIONS

Notice of Allowance for U.S. Appl. No. 29/551,898, dated Apr. 11, 2017 8 pages.
U.S. Appl. No. 29/475,511, filed Dec. 3, 2013, Bloch.
U.S. Appl. No. 29/551,898, filed Jan. 18, 2016, Bloch.
International Search Report and Written Opinion for International (PCT) Patent Application No. PCT/US2013/066877 dated Mar. 18, 2014, 8 pages.
International Preliminary Report on Patentability for International (PCT) Patent Application No. PCT/US2013/066877 dated May 7, 2015, 7 pages.
Official Action for U.S. Appl. No. 14/063,333, dated Sep. 11, 2015 6 pages Restriction Requirement.
Official Action for U.S. Appl. No. 14/063,333, dated Nov. 9, 2015 13 pages.
Official Action for U.S. Appl. No. 29/440,686 dated Mar. 14, 2014, 6 pages.
Official Action for U.S. Appl. No. 29/440,686 dated Oct. 27, 2014, 5 pages.
Notice of Allowance for U.S. Appl. No. 29/440,686 dated Jan. 5, 2015, 7 pages.

Official Action for U.S. Appl. No. 29/475,511 dated Apr. 27, 2015, 6 pages Restriction Requirement.
Official Action for U.S. Appl. No. 29/475,511 dated Jun. 5, 2015, 7 pages.
Notice of Allowance for U.S. Appl. No. 29/475,511, dated Nov. 9, 2015 7 pages.
Notice of Allowance for U.S. Appl. NO. 29/507,929, dated Nov. 16, 2015 9 pages.
Notice of Allowance for Canadian Patent Application No. 2,889,292, dated Nov. 29, 2016, 1 page.
Official Action for European Patent Application No. 1384616.2 dated Dec. 2, 2016, 3 pages.
U.S. Appl. No. 15/165,830, filed May 26, 2016, Bloch.
U.S. Appl. No. 29/570,656, filed Jul. 11, 2016, Bloch et al.
Official Action for Canadian Patent Application No. 2,889,292, dated Mar. 1, 2016, 6 pages.
Extended European Search Report for European Patent Application No. 13848616.2, dated Jun. 14, 2016, 5 pages.
Final Action for U.S. Appl. No. 14/063,333, dated May 20, 2016 16 pages.

* cited by examiner

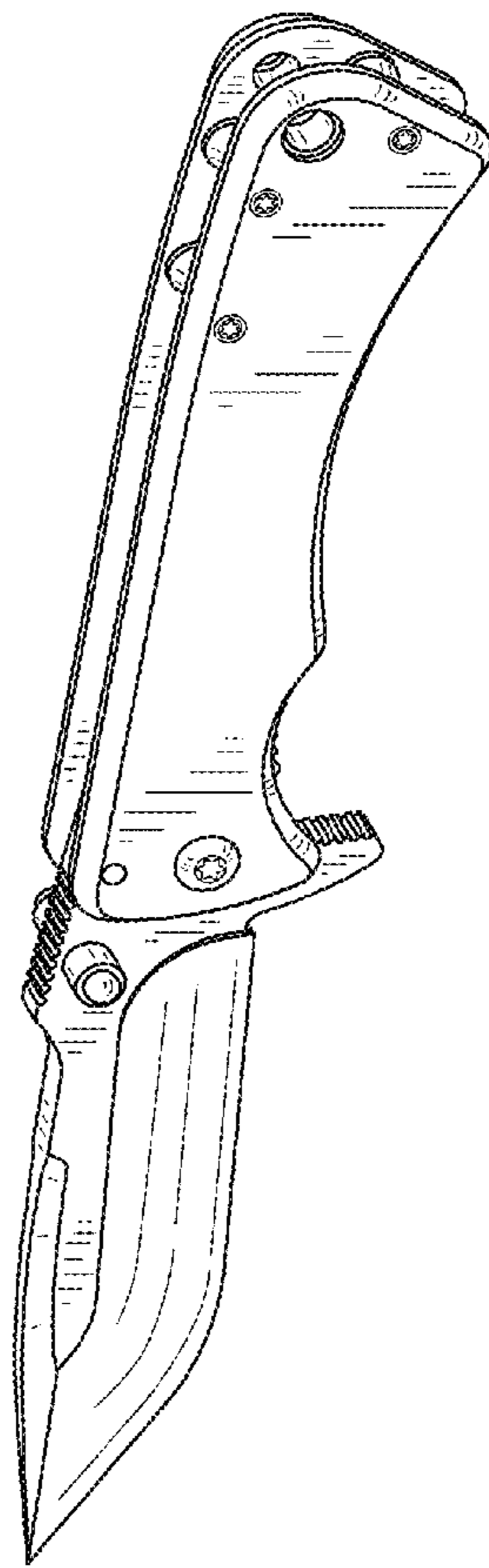


FIG.1

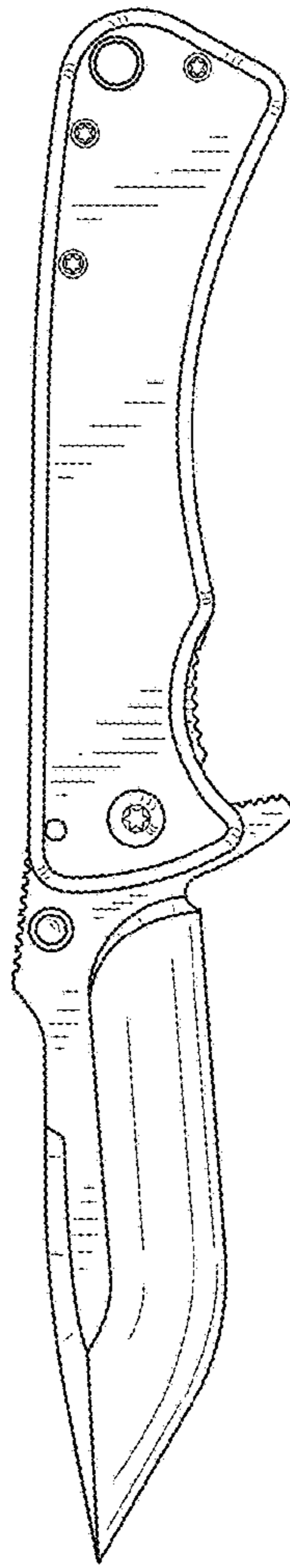


FIG. 2

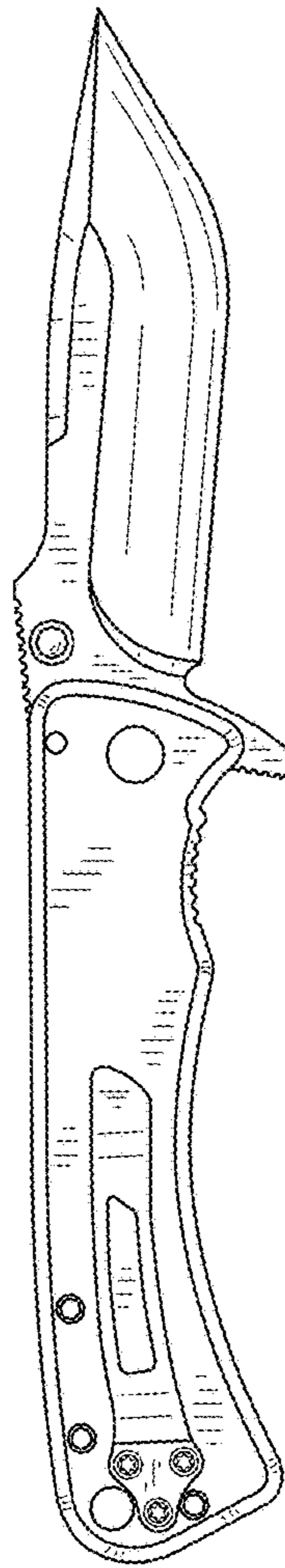


FIG. 3

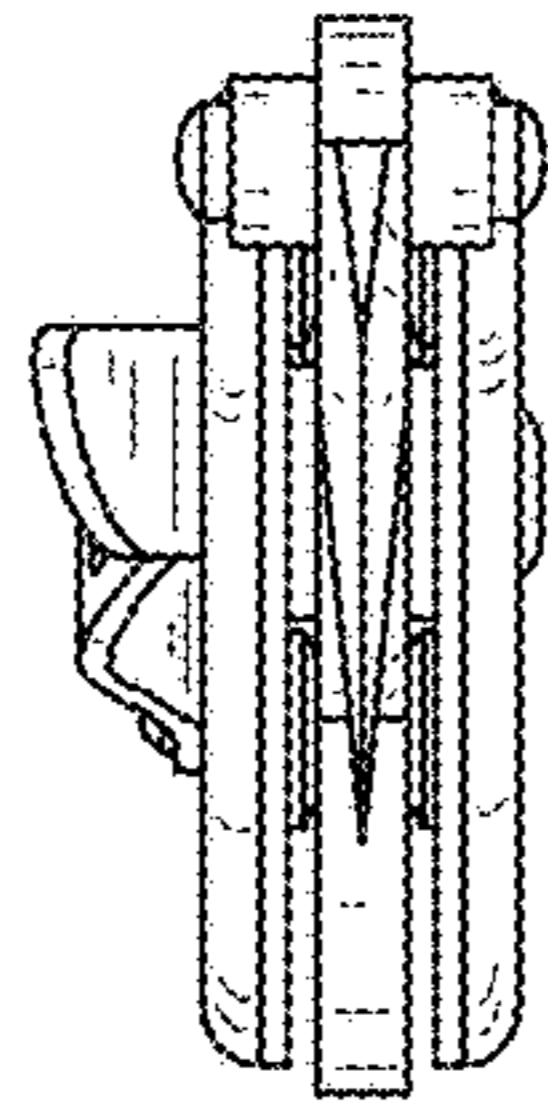


FIG.4

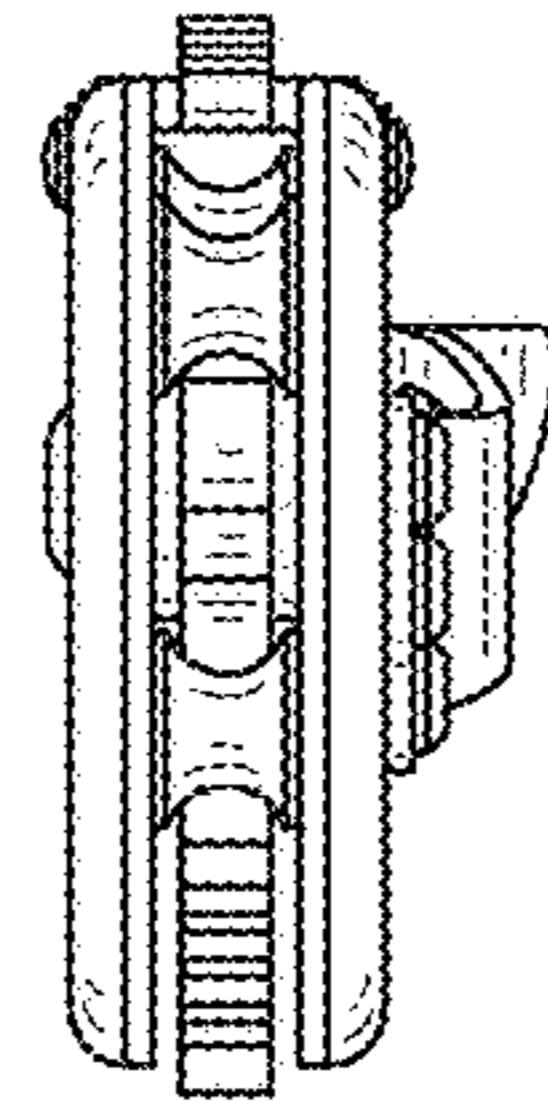


FIG.5

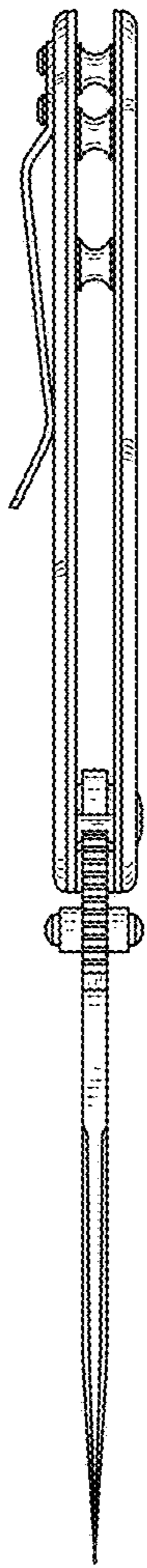


FIG. 6

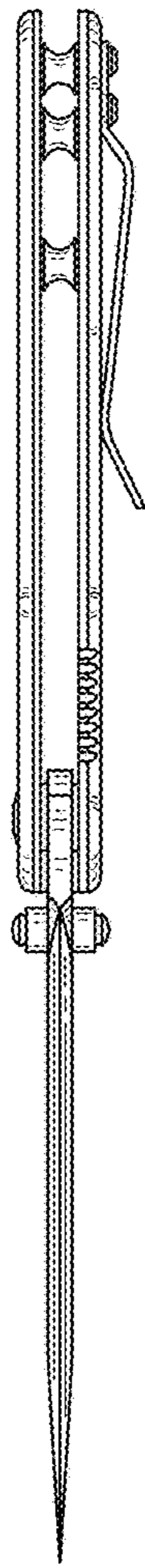


FIG. 7

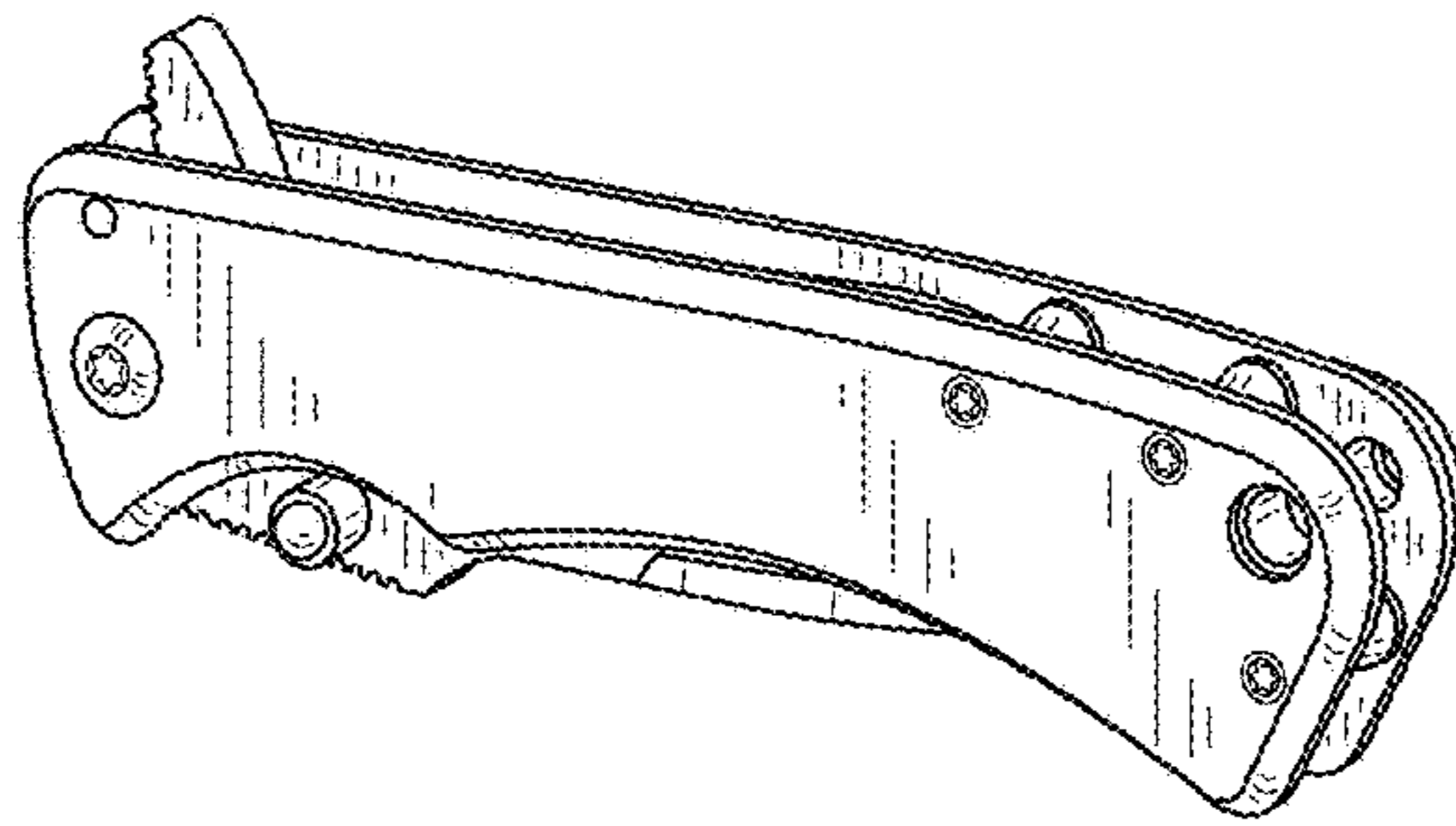


FIG.8

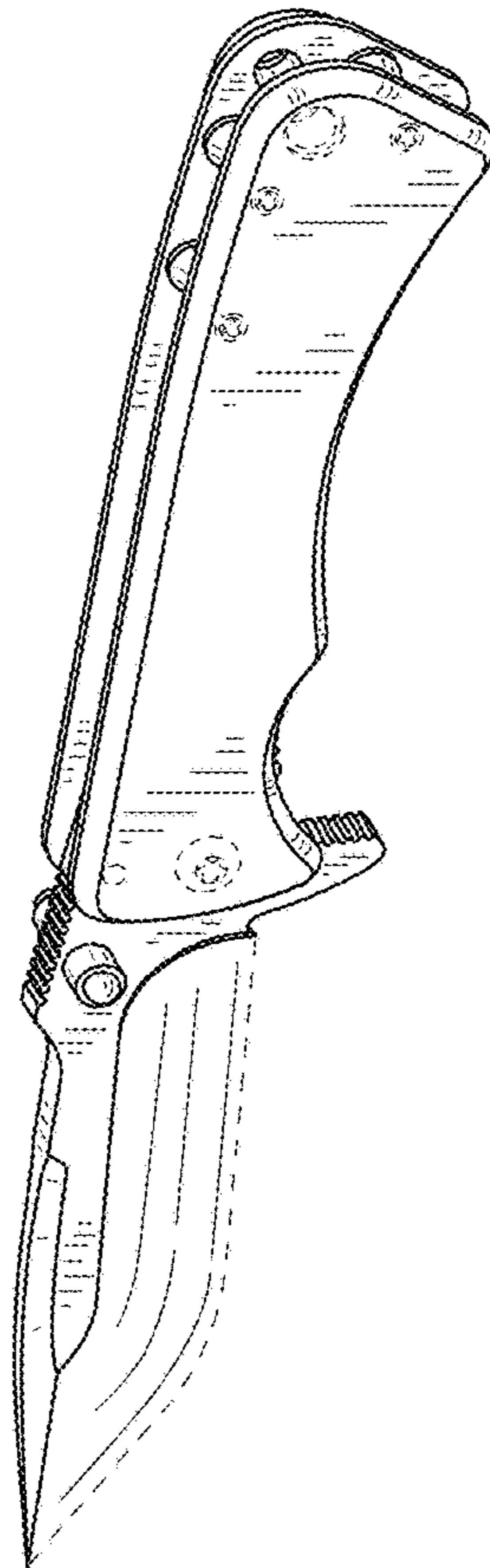


FIG.9

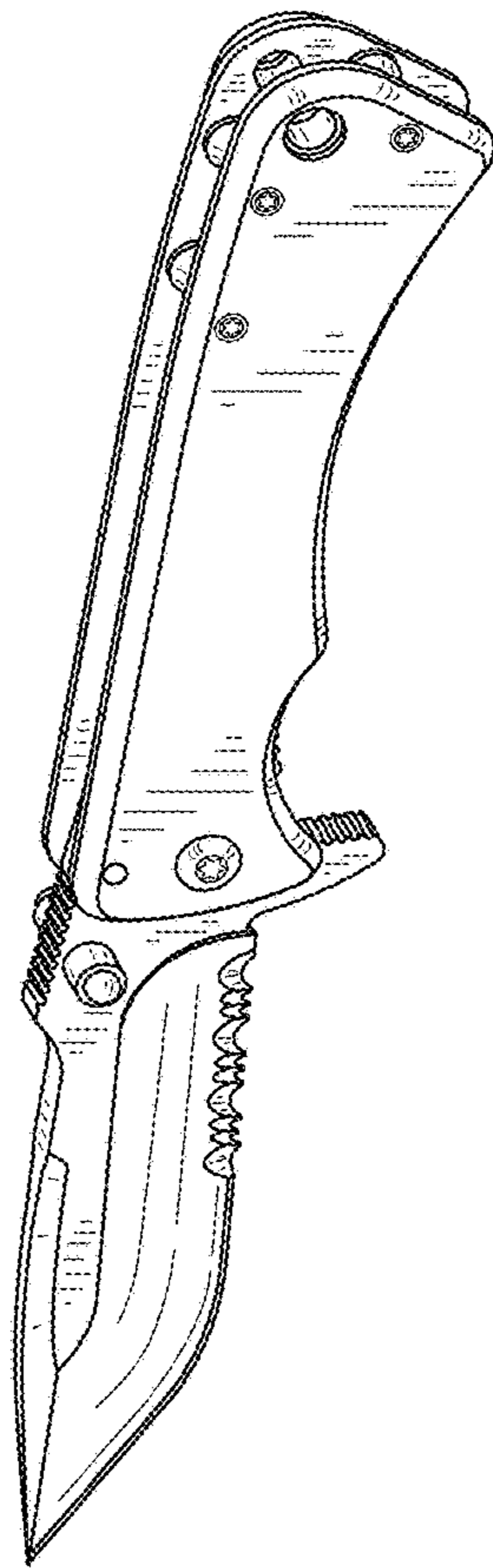


FIG.10

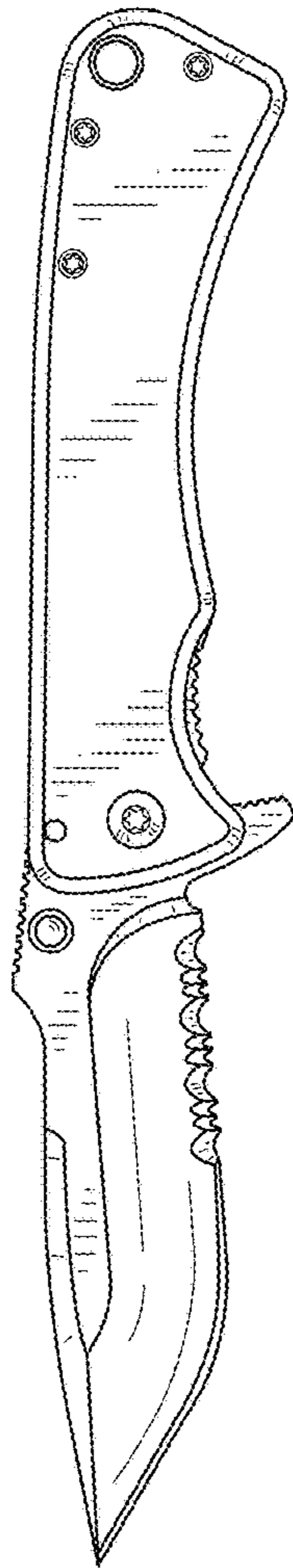


FIG.11

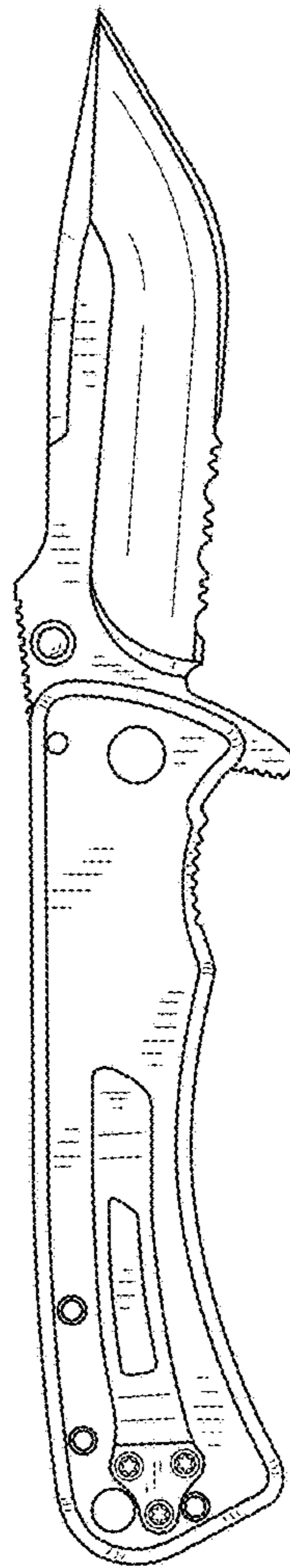


FIG.12

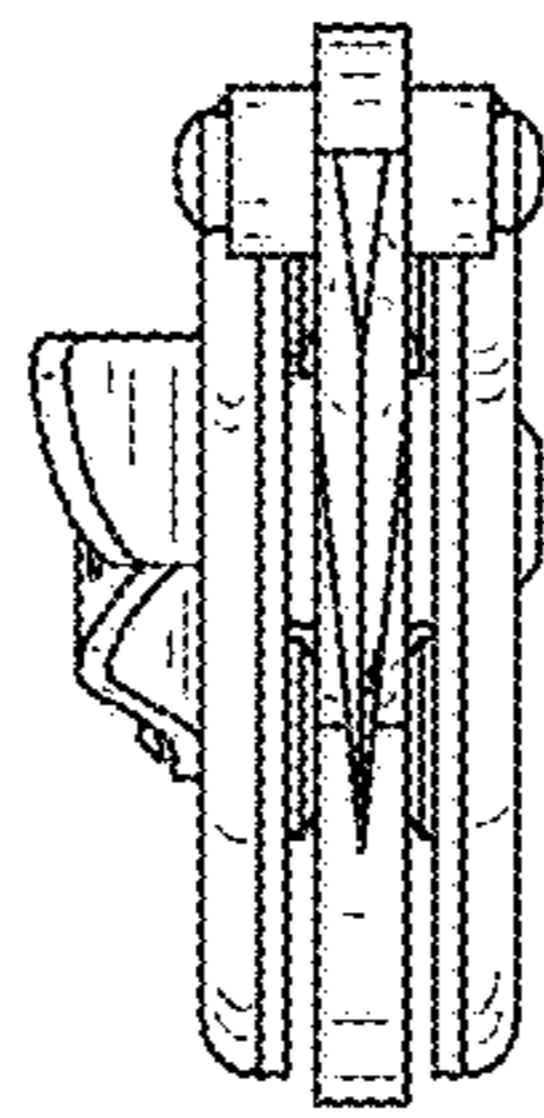


FIG.13

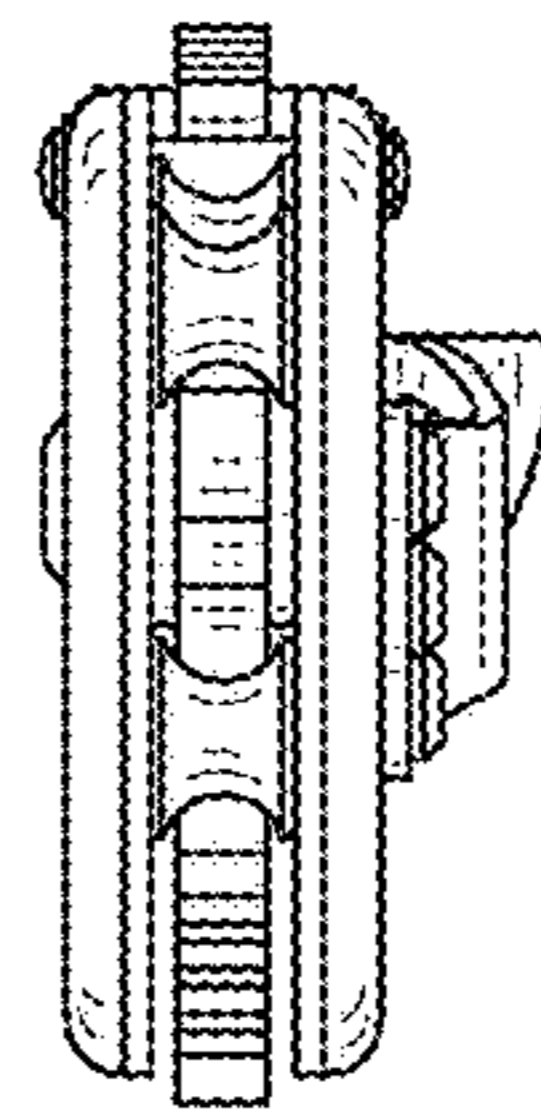


FIG.14

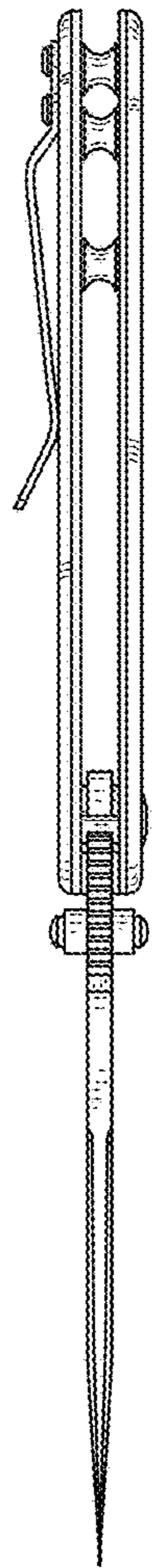


FIG. 15

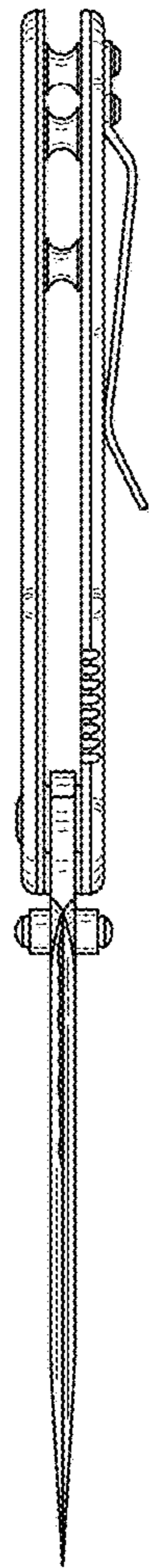


FIG. 16

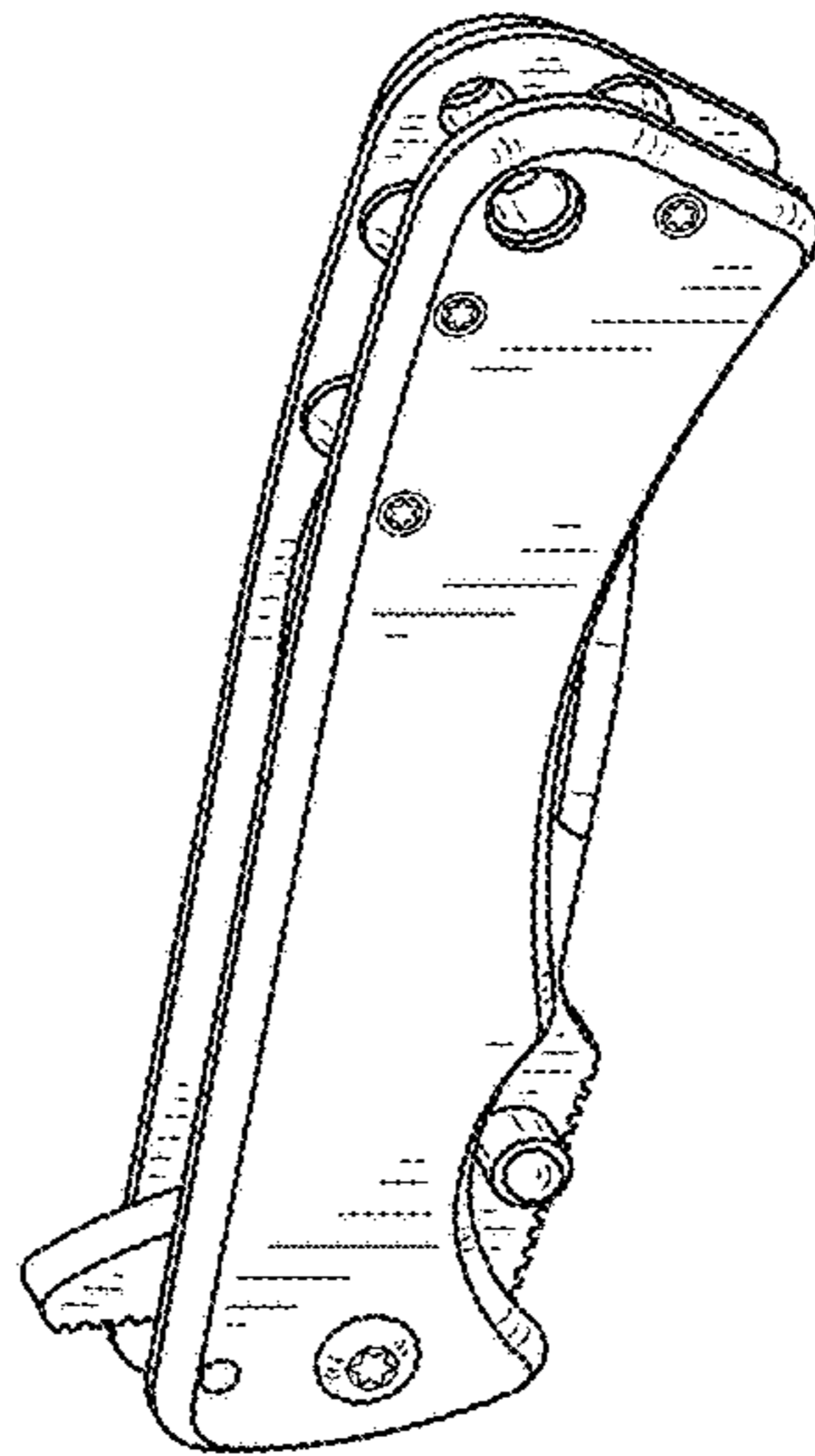


FIG.17