



US00D848811S

(12) **United States Design Patent**  
**Watson et al.**

(10) **Patent No.:** **US D848,811 S**

(45) **Date of Patent:** **\*\* May 21, 2019**

(54) **BLADE SHARPENER**

(71) Applicant: **ACME UNITED CORPORATION**,  
Fairfield, CT (US)

(72) Inventors: **Stanley A. Watson**, Franklin, MA (US);  
**Richard S. Constantine**, Monroe, CT  
(US)

(73) Assignee: **ACME UNITED CORPORATION**,  
Fairfield, CT (US)

(\*\*) Term: **15 Years**

(21) Appl. No.: **29/622,351**

(22) Filed: **Oct. 17, 2017**

(51) **LOC (11) Cl.** ..... **08-05**

(52) **U.S. Cl.**  
USPC ..... **D8/93**

(58) **Field of Classification Search**

USPC ..... D8/63, 90, 91, 92, 93  
CPC .... B24B 3/54; B24B 3/36; B24B 3/58; B24B  
3/00; B24B 23/08; B24B 15/00; B24B  
15/06; B24B 15/063; B24B 15/08

See application file for complete search history.

(56) **References Cited**

**U.S. PATENT DOCUMENTS**

2,284,168 A \* 5/1942 Rickenbacher ..... A45D 29/04  
132/76.2  
4,558,540 A \* 12/1985 Collins ..... B24D 15/08  
451/555

D365,008 S \* 12/1995 Sparks ..... D8/90  
D372,180 S \* 7/1996 Powell ..... D8/91  
D493,684 S \* 8/2004 Smith ..... D8/90  
D597,255 S \* 7/2009 Wittke-Kothe ..... D28/59  
D608,948 S \* 1/2010 Wittke-Kothe ..... D28/59  
D636,249 S \* 4/2011 Manchen ..... D8/99  
D731,278 S \* 6/2015 Cavanaugh ..... D8/105  
D804,272 S \* 12/2017 Chalfant ..... D8/91

\* cited by examiner

*Primary Examiner* — Philip S Hyder

(74) *Attorney, Agent, or Firm* — Bond Schoeneck &  
King, PLLC; George McGuire

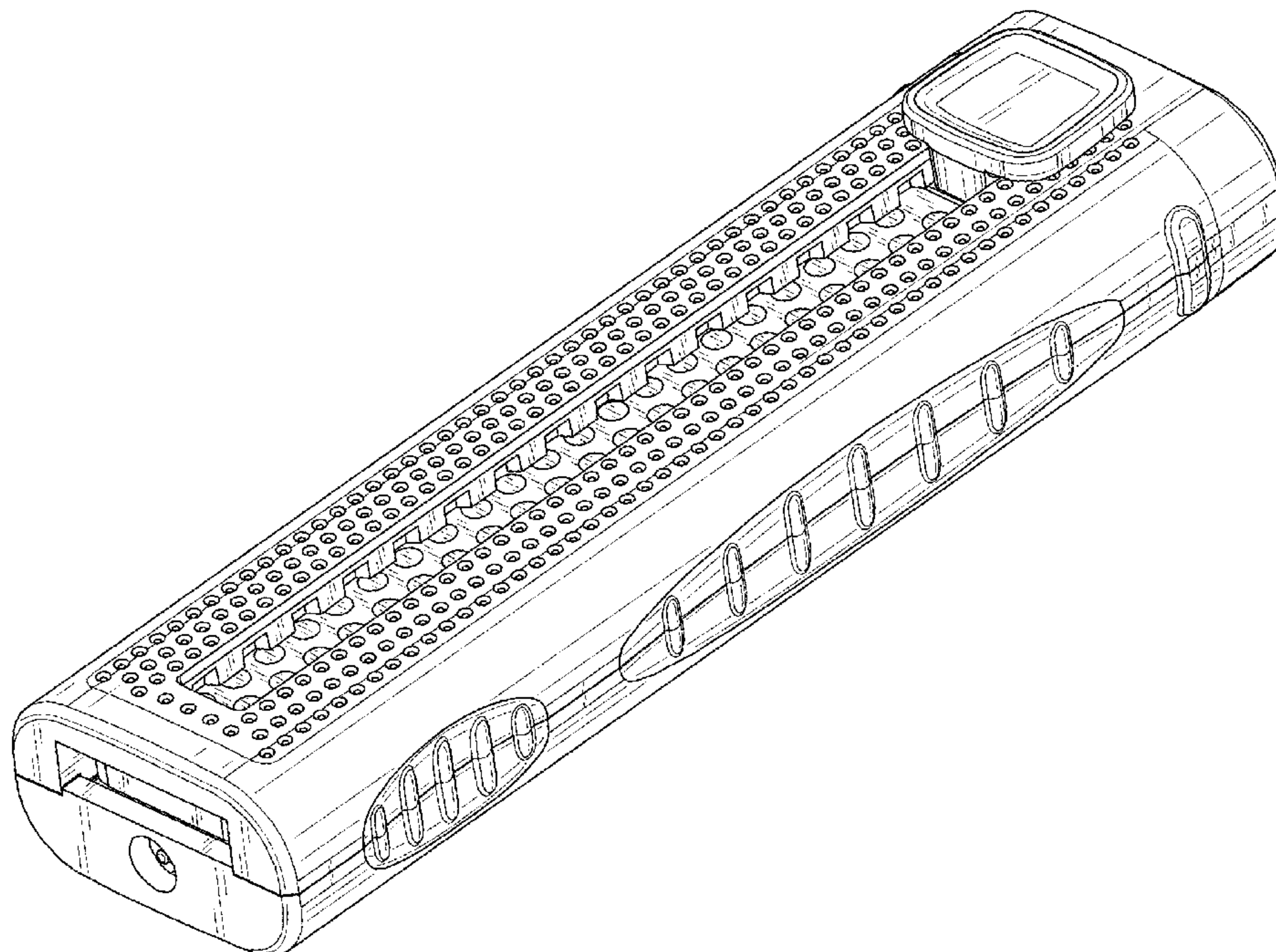
(57) **CLAIM**

The ornamental design for a blade sharpener, as shown and  
described.

**DESCRIPTION**

FIG. 1 is a perspective view of a new and ornamental design  
for blade sharpener;  
FIG. 2 is a front elevation view thereof;  
FIG. 3 is a rear elevation view thereof;  
FIG. 4 is a top plan view thereof;  
FIG. 5 is a bottom plan view thereof;  
FIG. 6 is a first side elevation view thereof; and,  
FIG. 7 is a second side elevation view thereof.

**1 Claim, 6 Drawing Sheets**



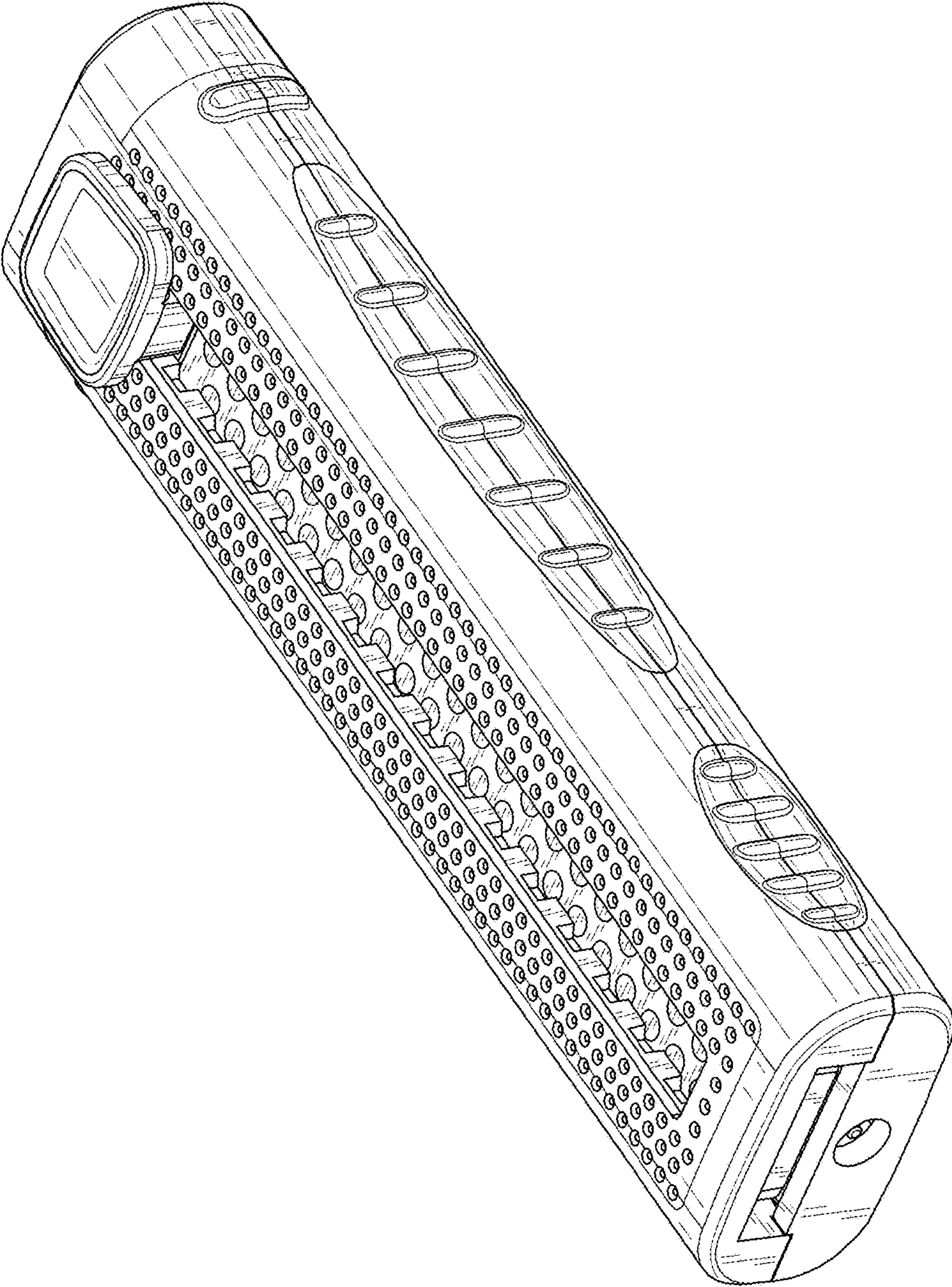


FIG. 1



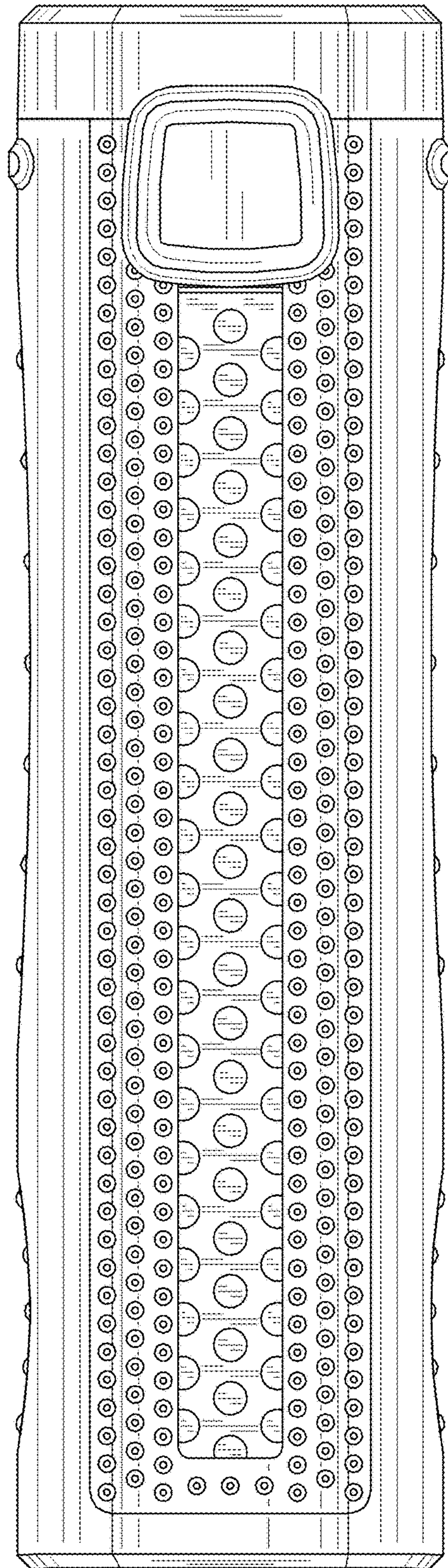


FIG. 2

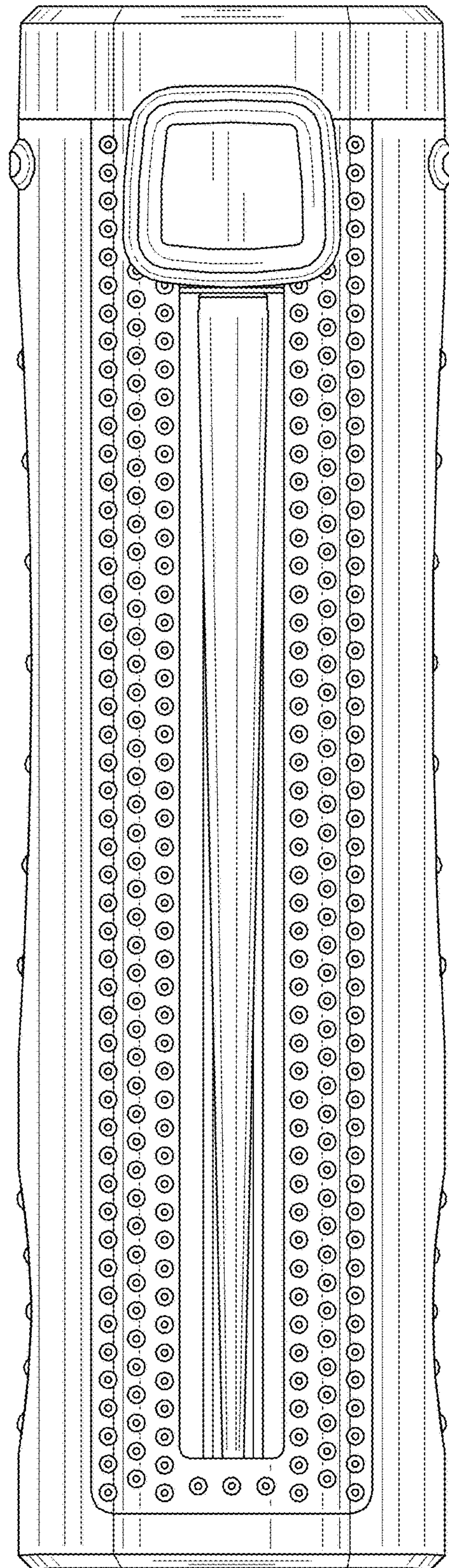


FIG. 3

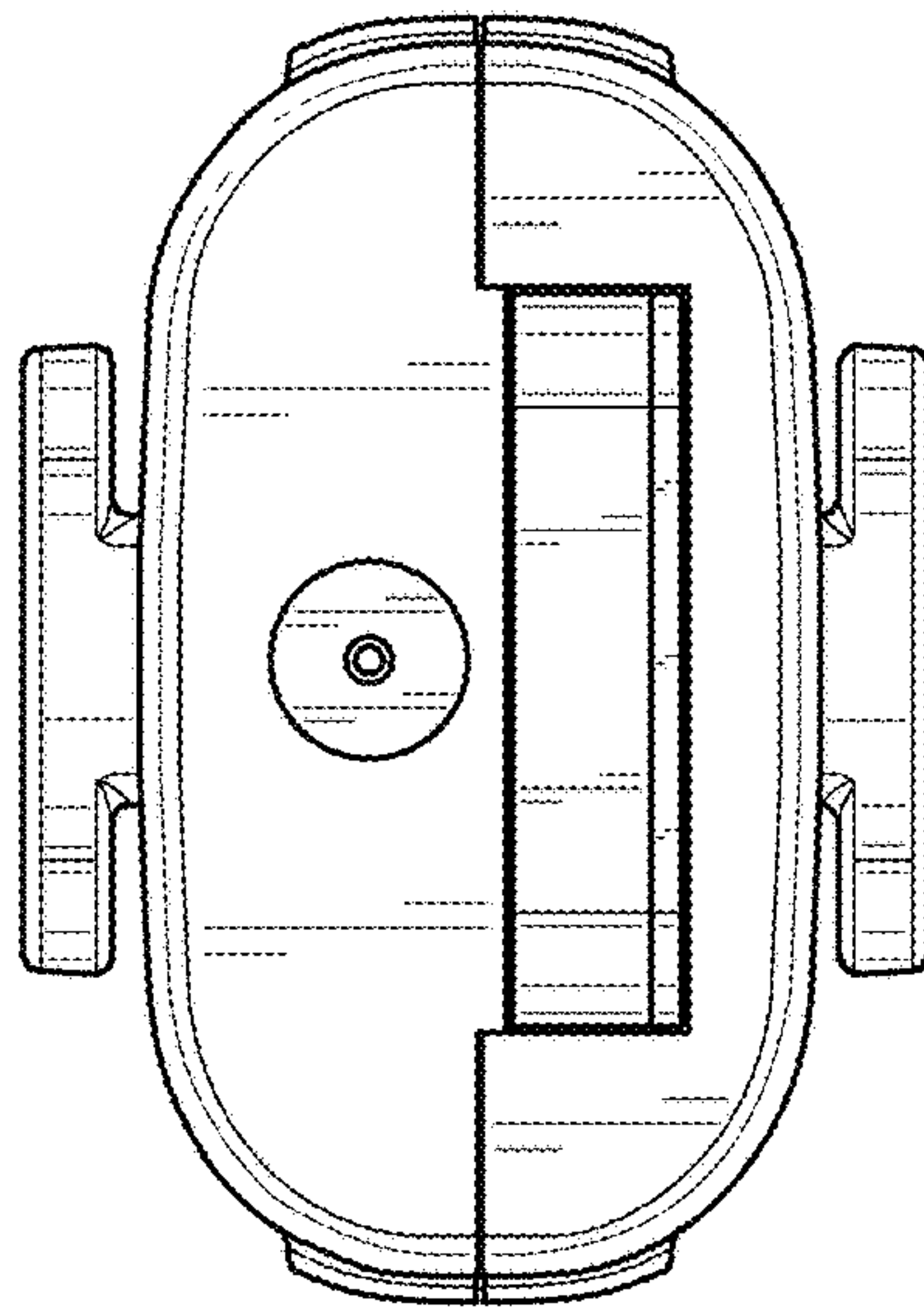


FIG. 4

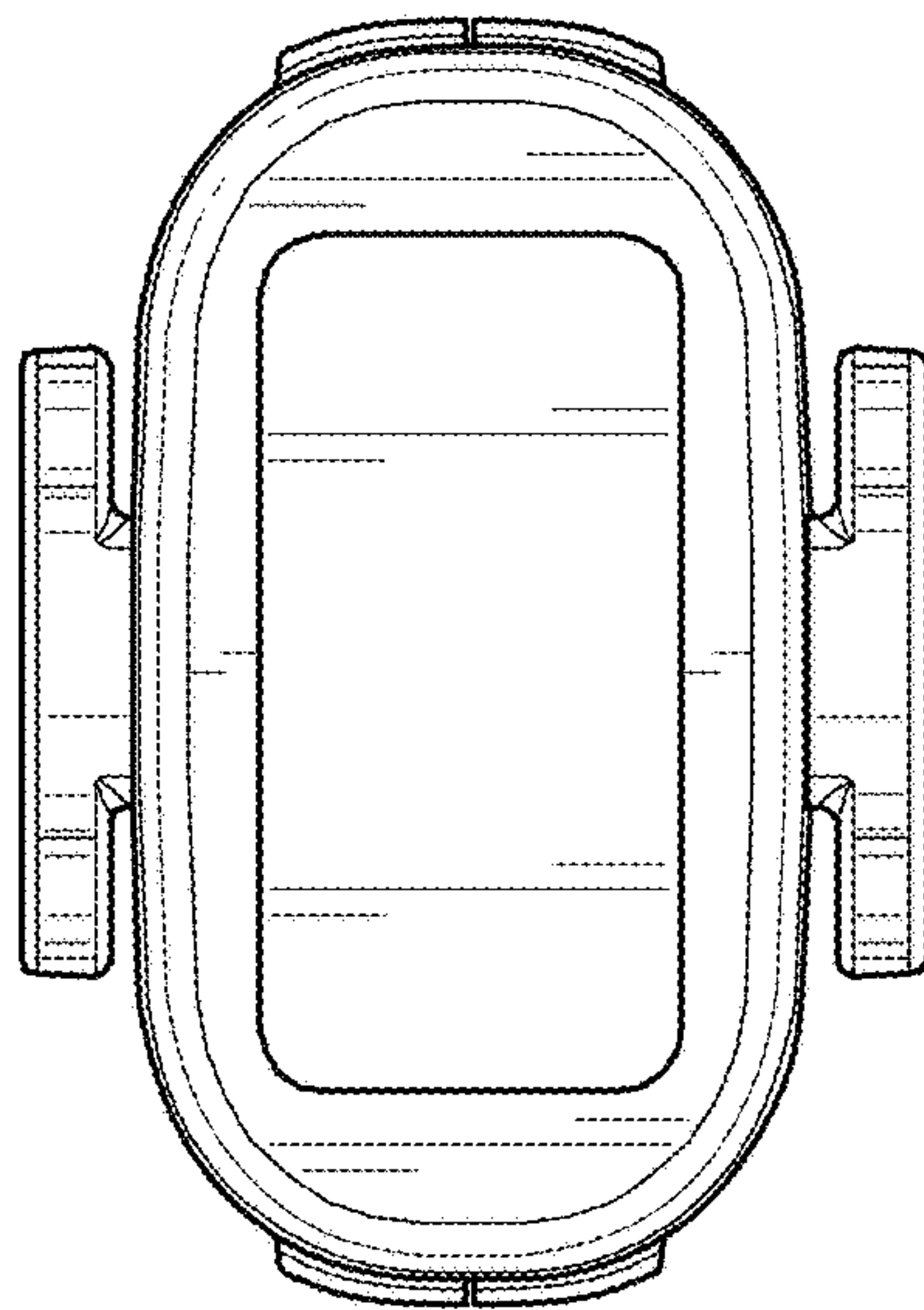


FIG. 5



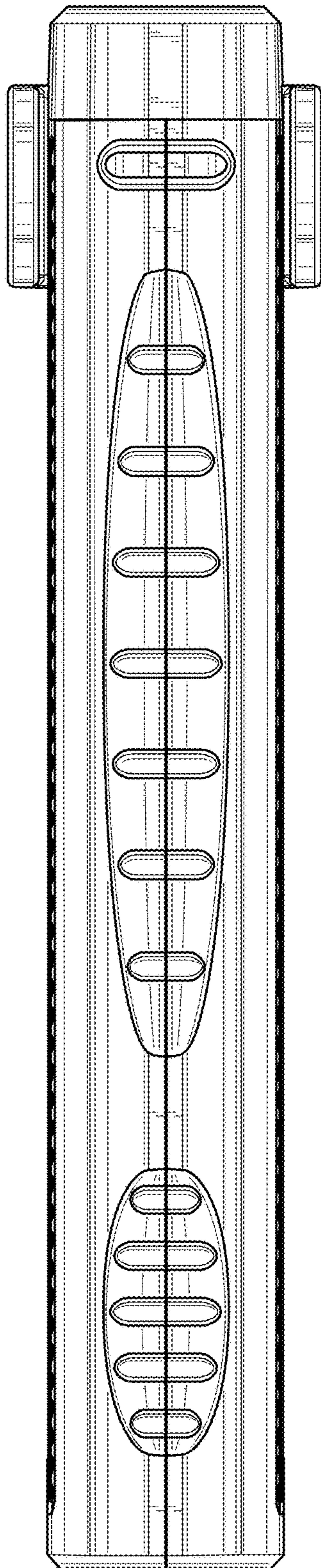


FIG. 6

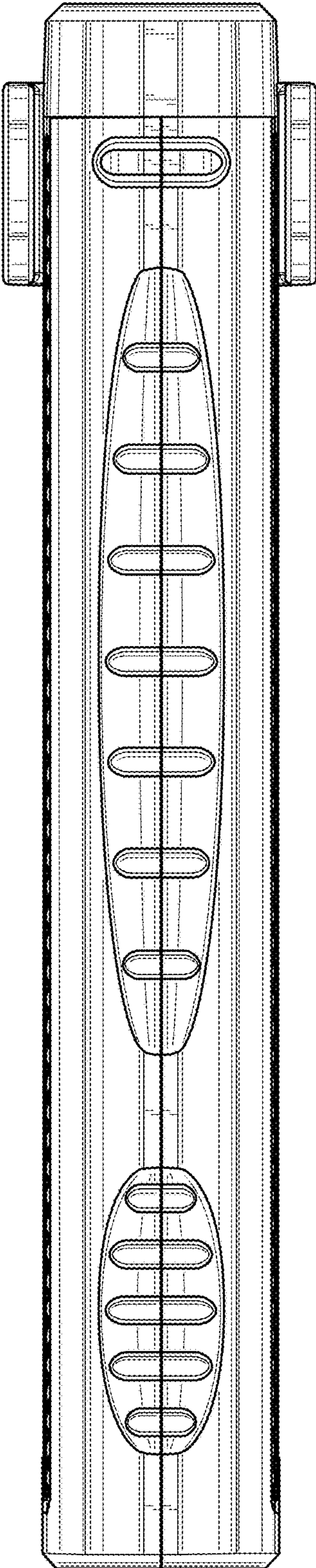


FIG. 7