



US00D848809S

(12) **United States Design Patent** (10) **Patent No.:** **US D848,809 S**
Avila (45) **Date of Patent:** **** May 21, 2019**

(54) **TOOL RACK**

(74) *Attorney, Agent, or Firm* — Kevin Mark Klughart

(71) Applicant: **Stephen Anthony Avila**, Sanger, TX
(US)

(57) **CLAIM**

The ornamental design for a tool rack, as shown.

(72) Inventor: **Stephen Anthony Avila**, Sanger, TX
(US)

DESCRIPTION

(**) Term: **15 Years**

FIG. 1 is a front view of a tool rack showing my new design;
FIG. 2 is a rear view thereof;
FIG. 3 is a right view thereof;
FIG. 4 is a left view thereof;
FIG. 5 is a top view thereof;
FIG. 6 is a bottom view thereof;
FIG. 7 is a top front perspective view thereof;
FIG. 8 is a top rear perspective view thereof;
FIG. 9 is a top right front perspective view thereof;
FIG. 10 is a top right rear perspective view thereof;
FIG. 11 is a top left rear perspective view thereof;
FIG. 12 is a top left front perspective view thereof;
FIG. 13 is a bottom right front perspective view thereof;
FIG. 14 is a bottom right rear perspective view thereof;
FIG. 15 is a bottom left rear perspective view thereof;
FIG. 16 is a bottom left front perspective view thereof;
FIG. 17 is a top right front perspective view depicting detail of the top view thereof;
FIG. 18 is a top right rear perspective view depicting detail of the top view thereof;
FIG. 19 is a top left rear perspective view depicting detail of the top view thereof;
FIG. 20 is a top left front perspective view depicting detail of the top view thereof;
FIG. 21 is a bottom right front perspective view depicting detail of the top view thereof;
FIG. 22 is a bottom right rear perspective view depicting detail of the top view thereof;
FIG. 23 is a bottom left rear perspective view depicting detail of the top view thereof; and,
FIG. 24 is a bottom left front perspective view depicting detail of the top view thereof.

(21) Appl. No.: **29/565,345**

(22) Filed: **May 19, 2016**

Related U.S. Application Data

(63) Continuation of application No. 15/158,081, filed on May 18, 2016.

(51) **LOC (11) Cl.** **08-05**

(52) **U.S. Cl.**
USPC **D8/71**

(58) **Field of Classification Search**
USPC D8/71, 354; D22/147, 148; D6/552, D6/553, 569
CPC A01K 97/10
See application file for complete search history.

(56) **References Cited**

U.S. PATENT DOCUMENTS

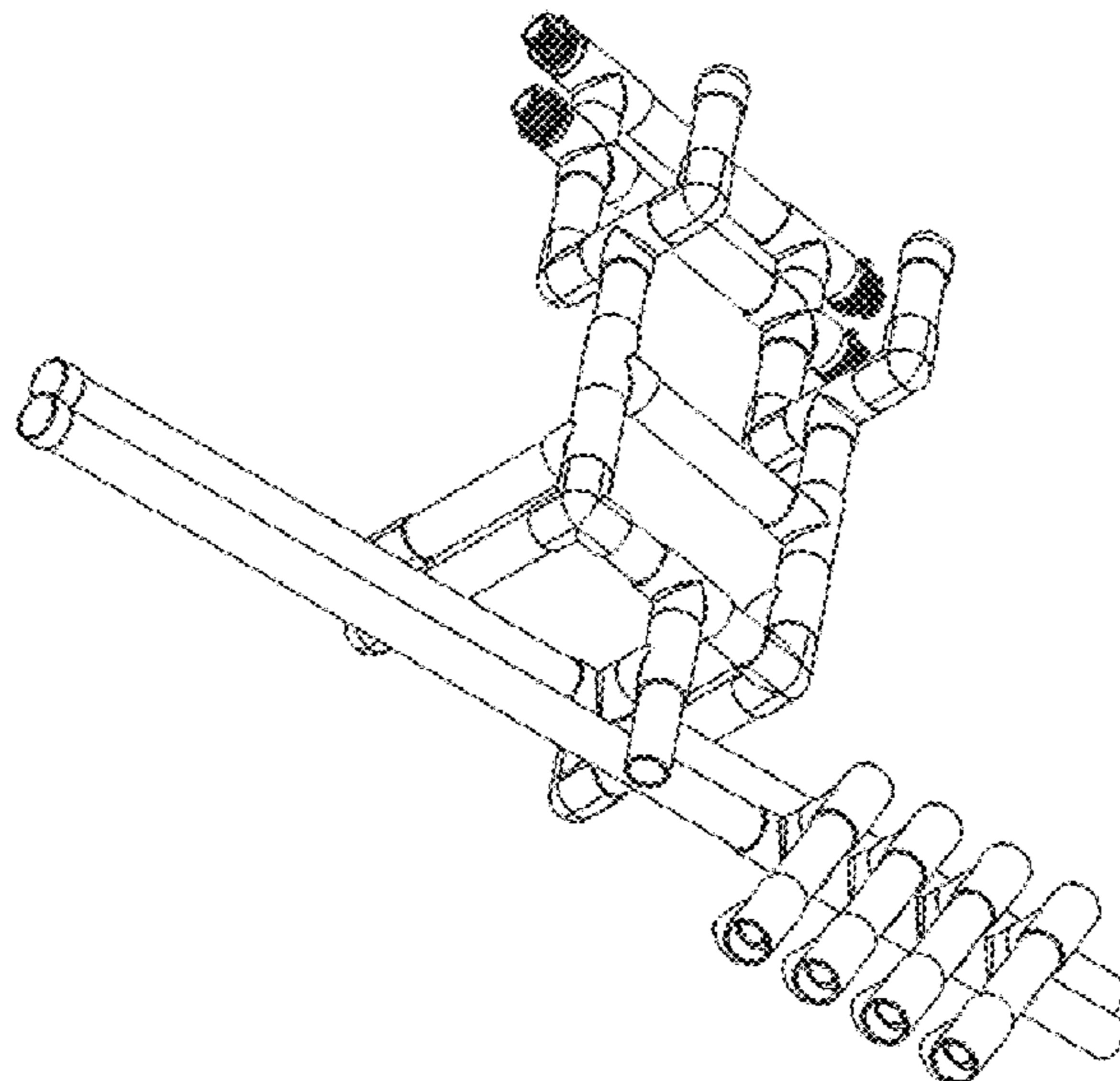
- D372,142 S * 7/1996 Selby D3/315
- 5,533,295 A * 7/1996 Hochberger A01K 97/10
248/512
- 5,813,164 A * 9/1998 Liberto A01K 97/10
43/21.2
- D405,500 S * 2/1999 Burby D22/147
- D438,281 S * 2/2001 Webster D22/147
- D458,878 S * 6/2002 Greco D12/162
- D507,817 S * 7/2005 Mitchell D22/147

(Continued)

Primary Examiner — Janice Hallmark

Assistant Examiner — Harold E Blackwell, II

1 Claim, 24 Drawing Sheets



(56)

References Cited

U.S. PATENT DOCUMENTS

D699,476 S * 2/2014 Gonzalez D6/552
D824,483 S * 7/2018 Byrd D22/147
2013/0333268 A1* 12/2013 Henry, Jr. A01K 97/10
43/4.5
2014/0263113 A1* 9/2014 Hall, II A47B 81/005
211/70.8

* cited by examiner

FIG. 1

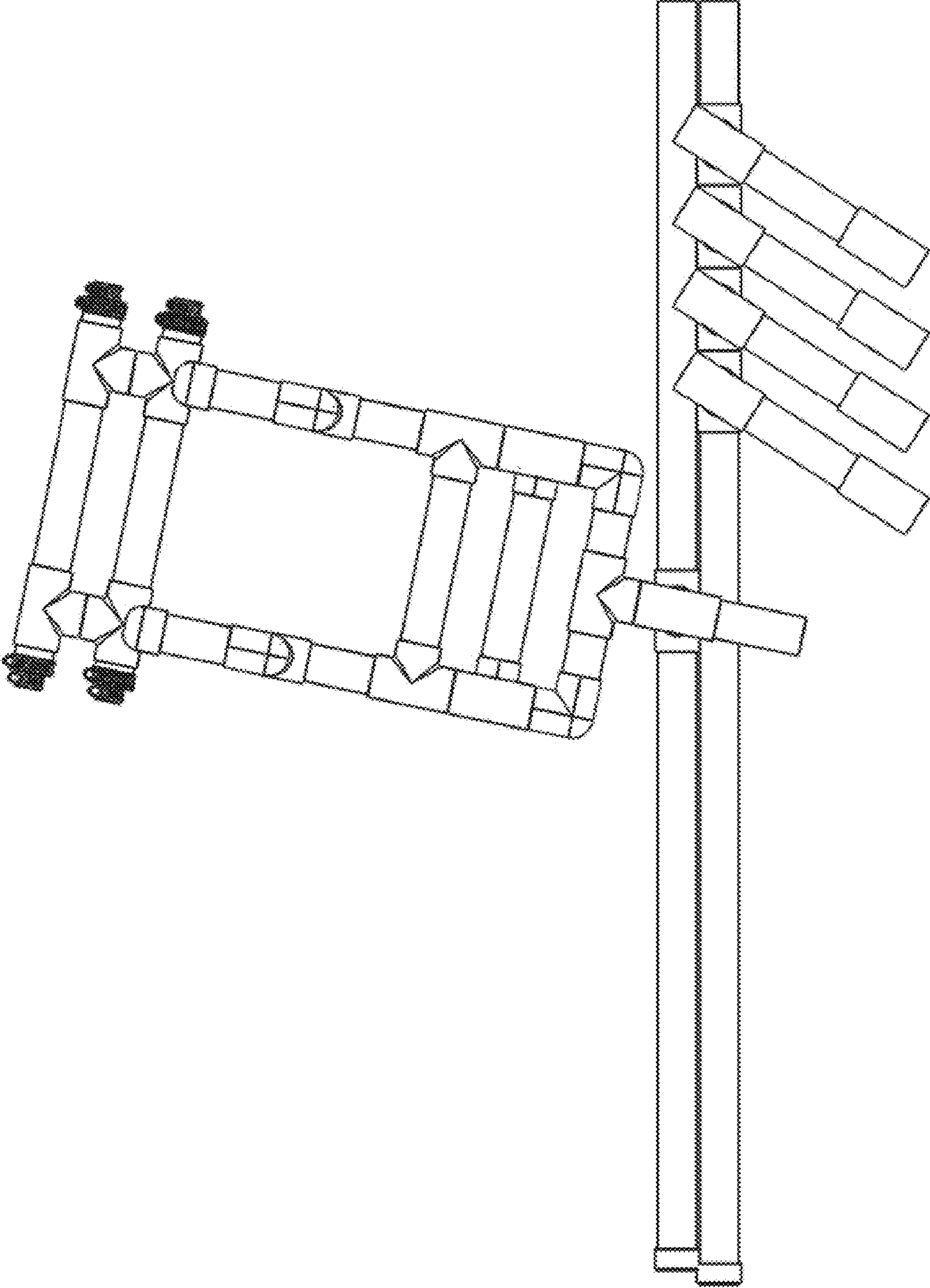


FIG. 2

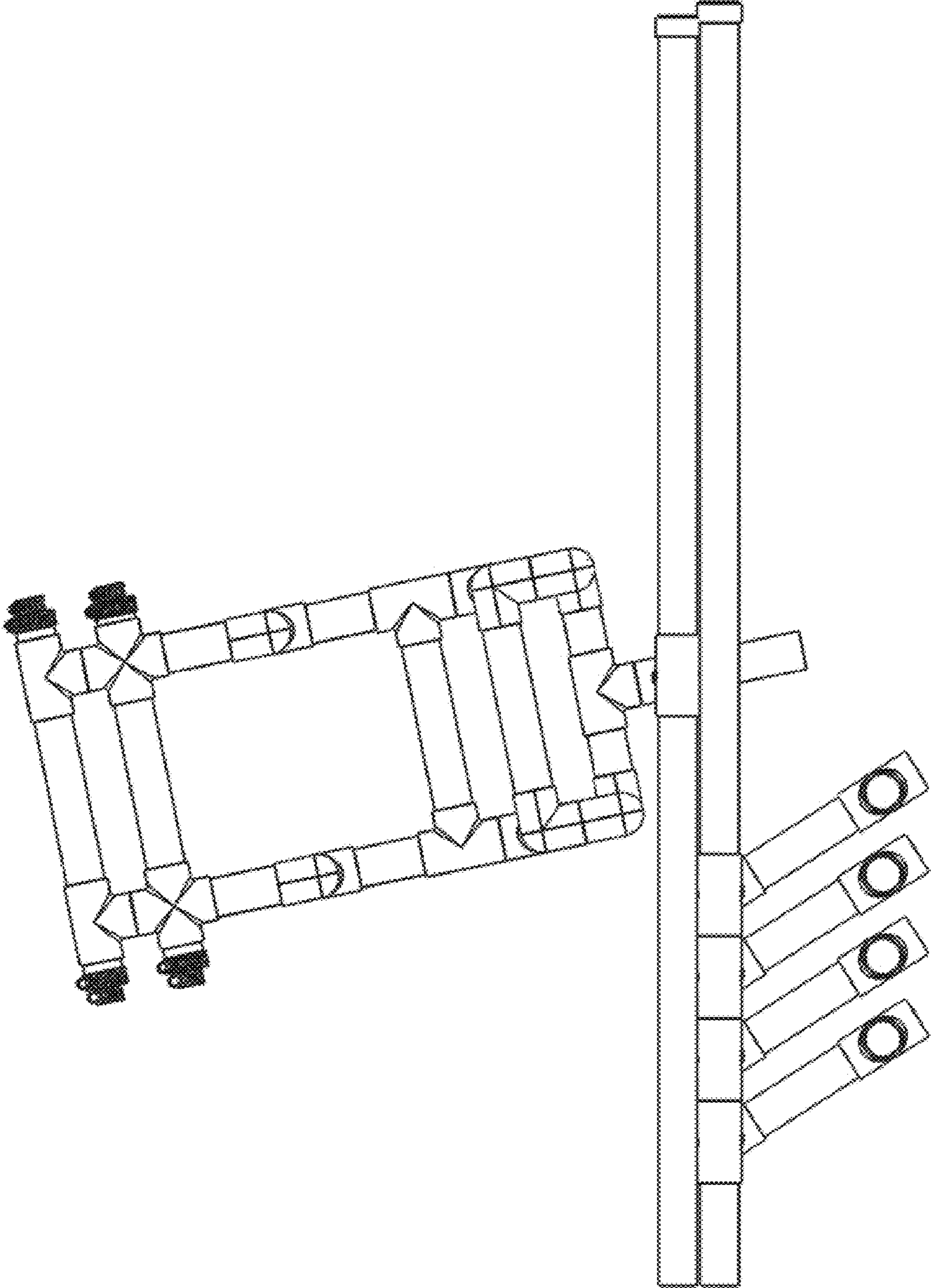


FIG. 3

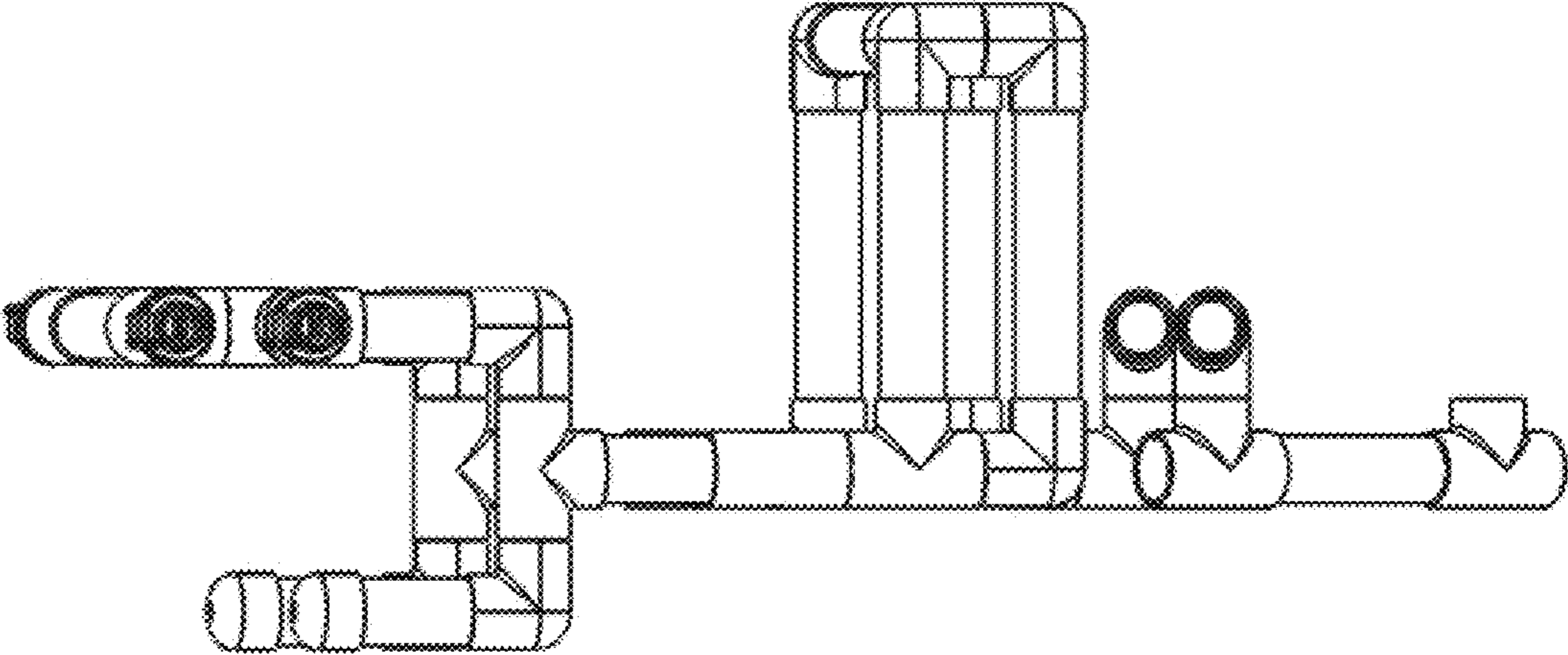


FIG. 4

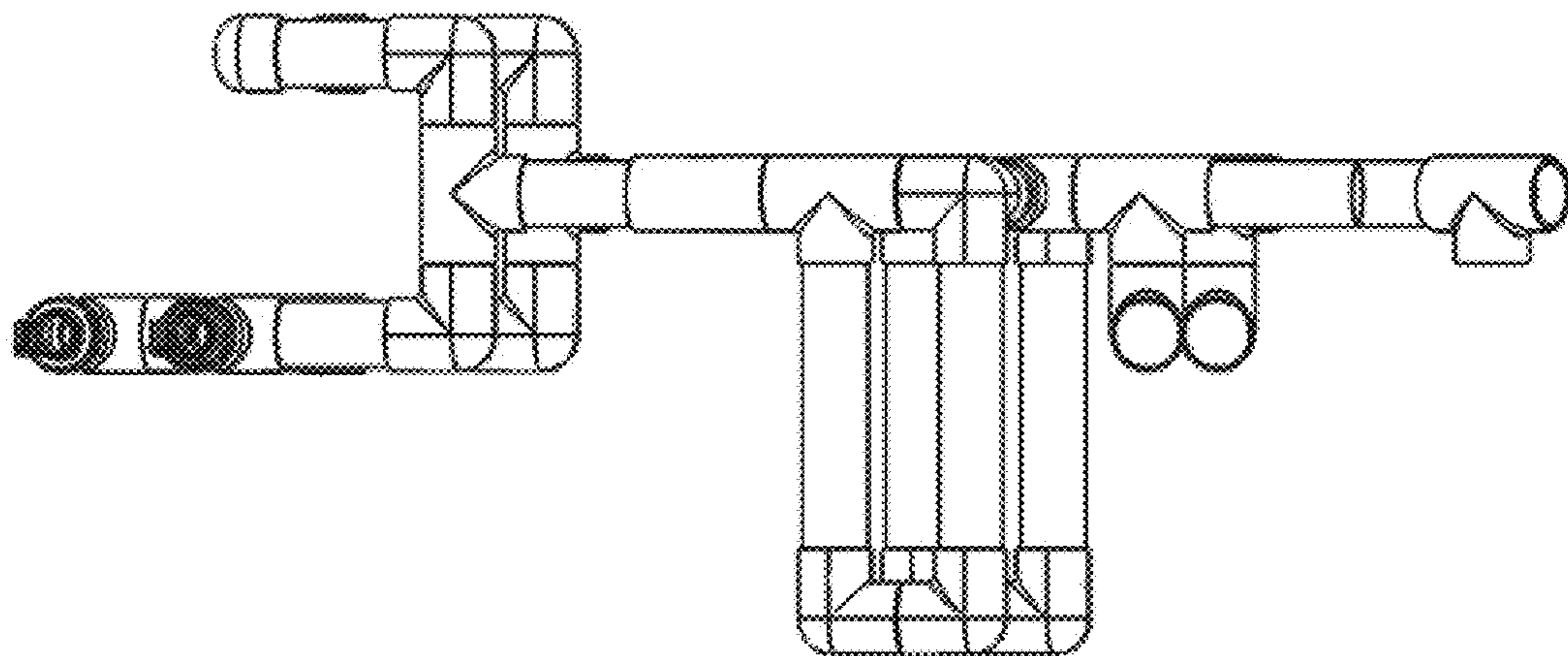


FIG. 5

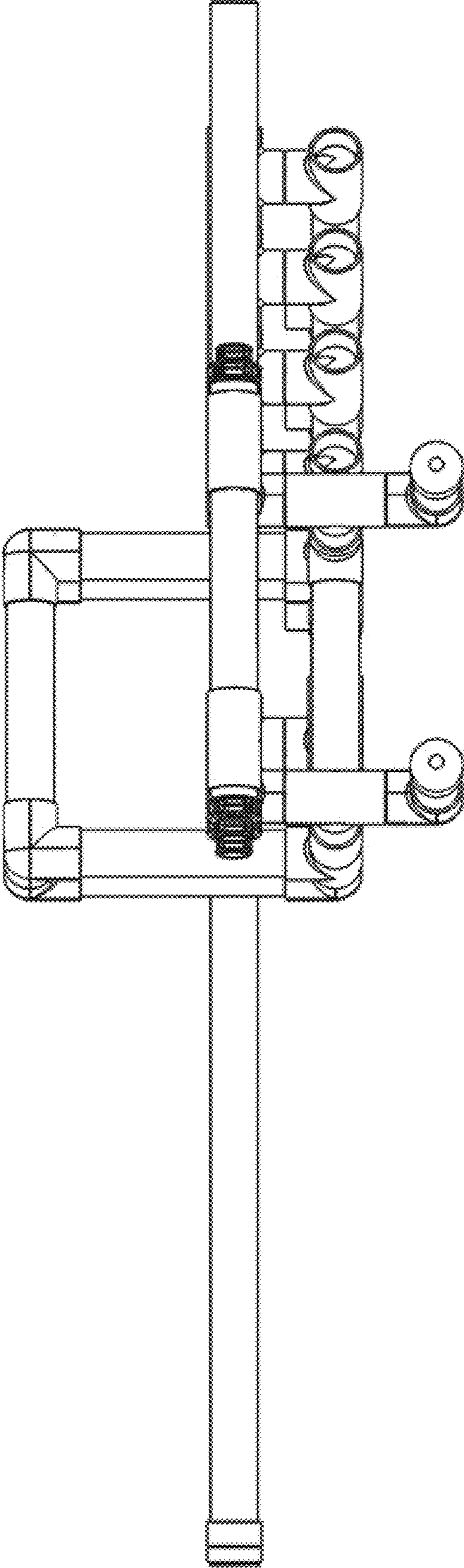


FIG. 6

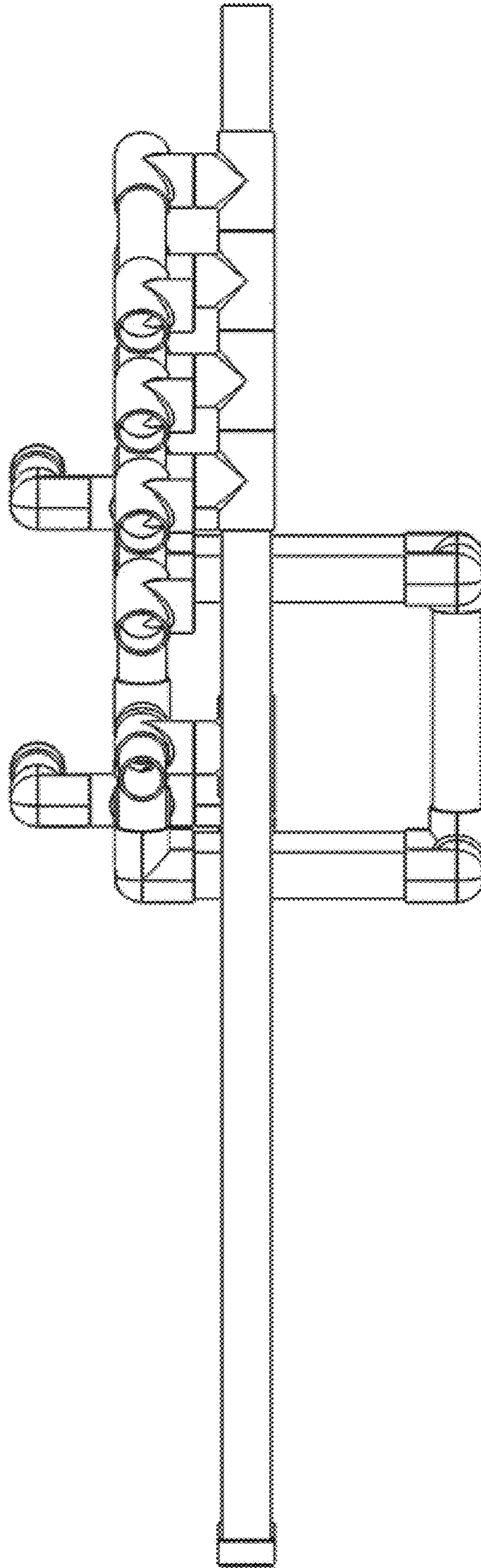


FIG. 7

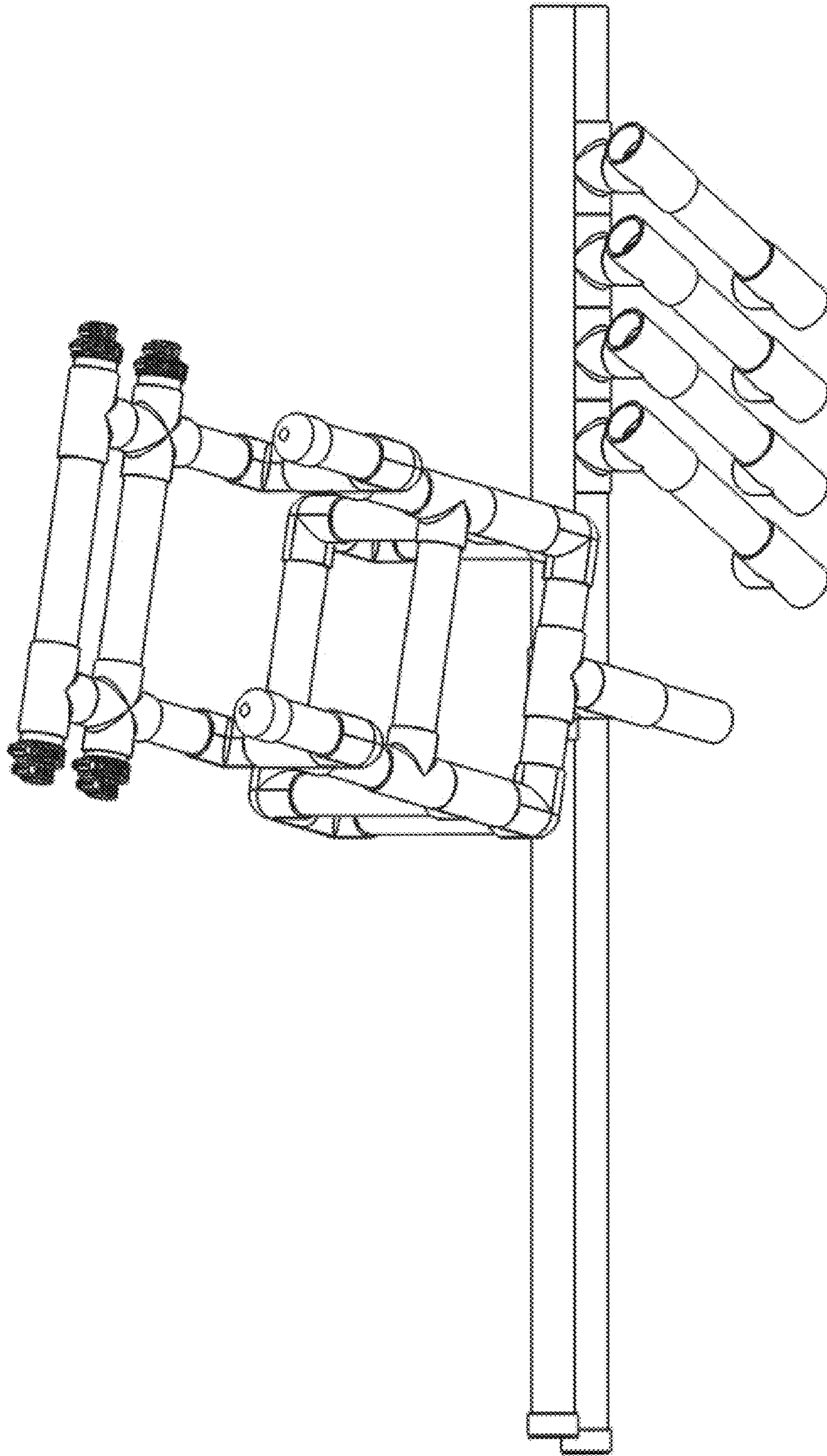


FIG. 8

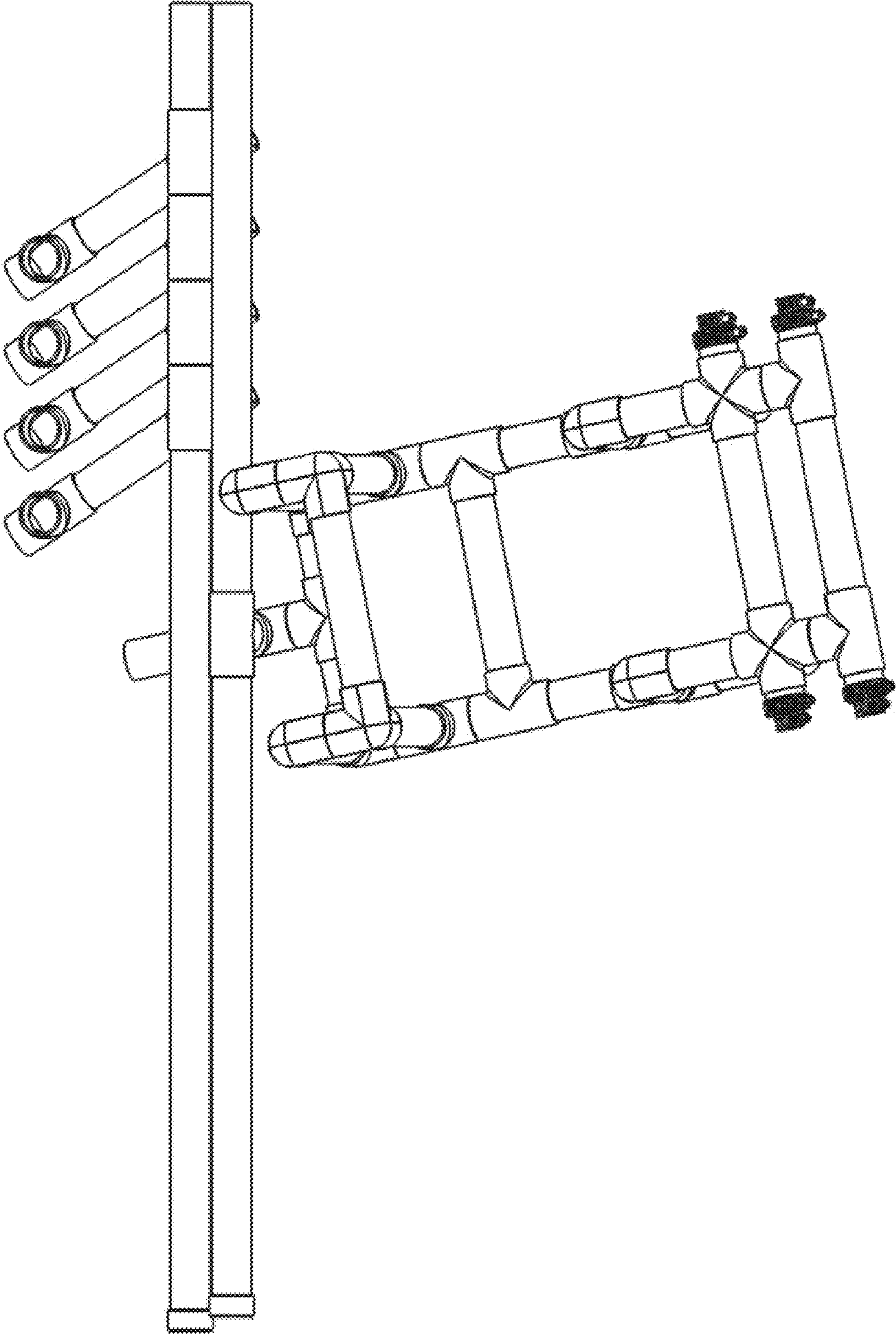


FIG. 9

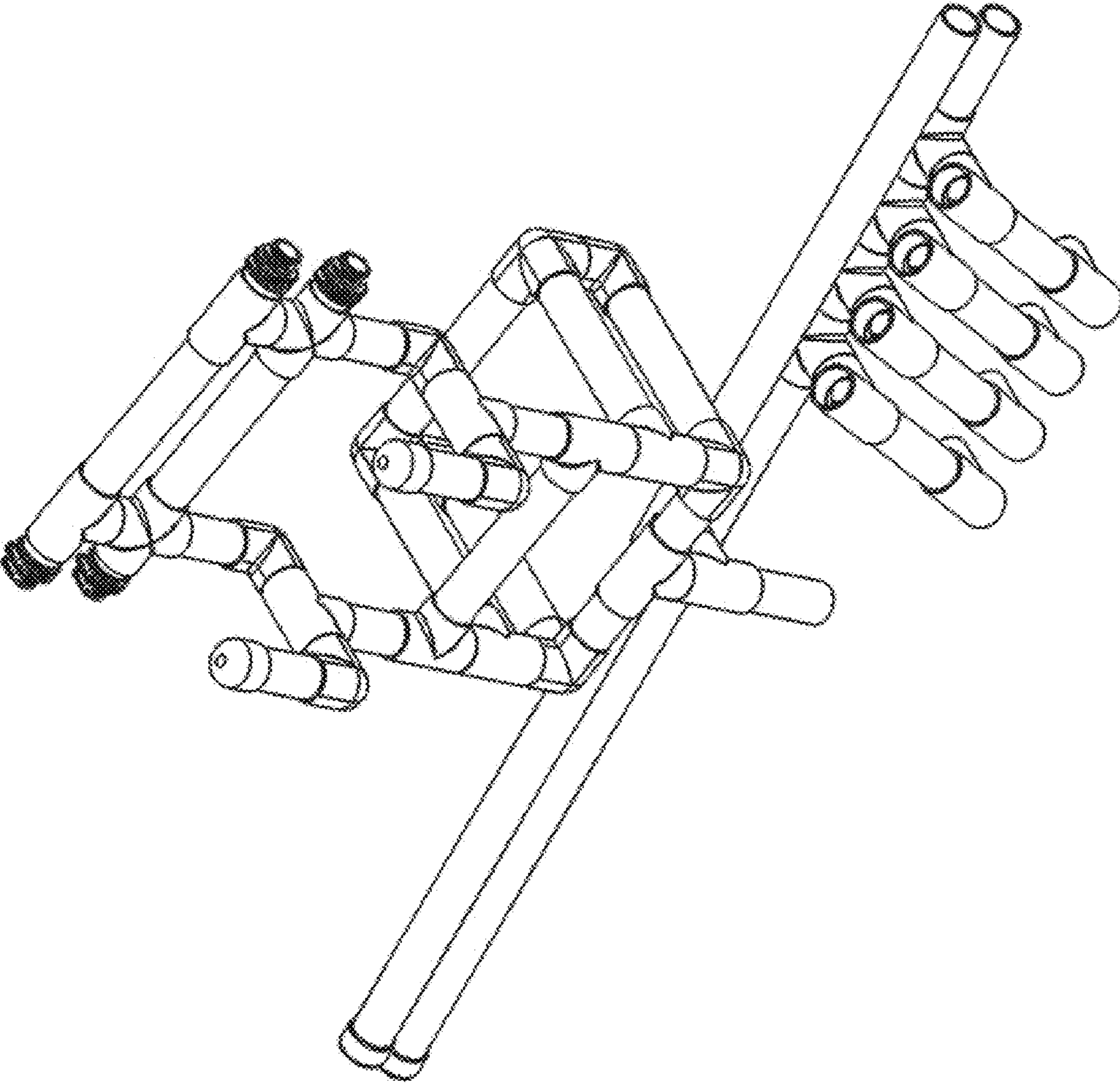


FIG. 10

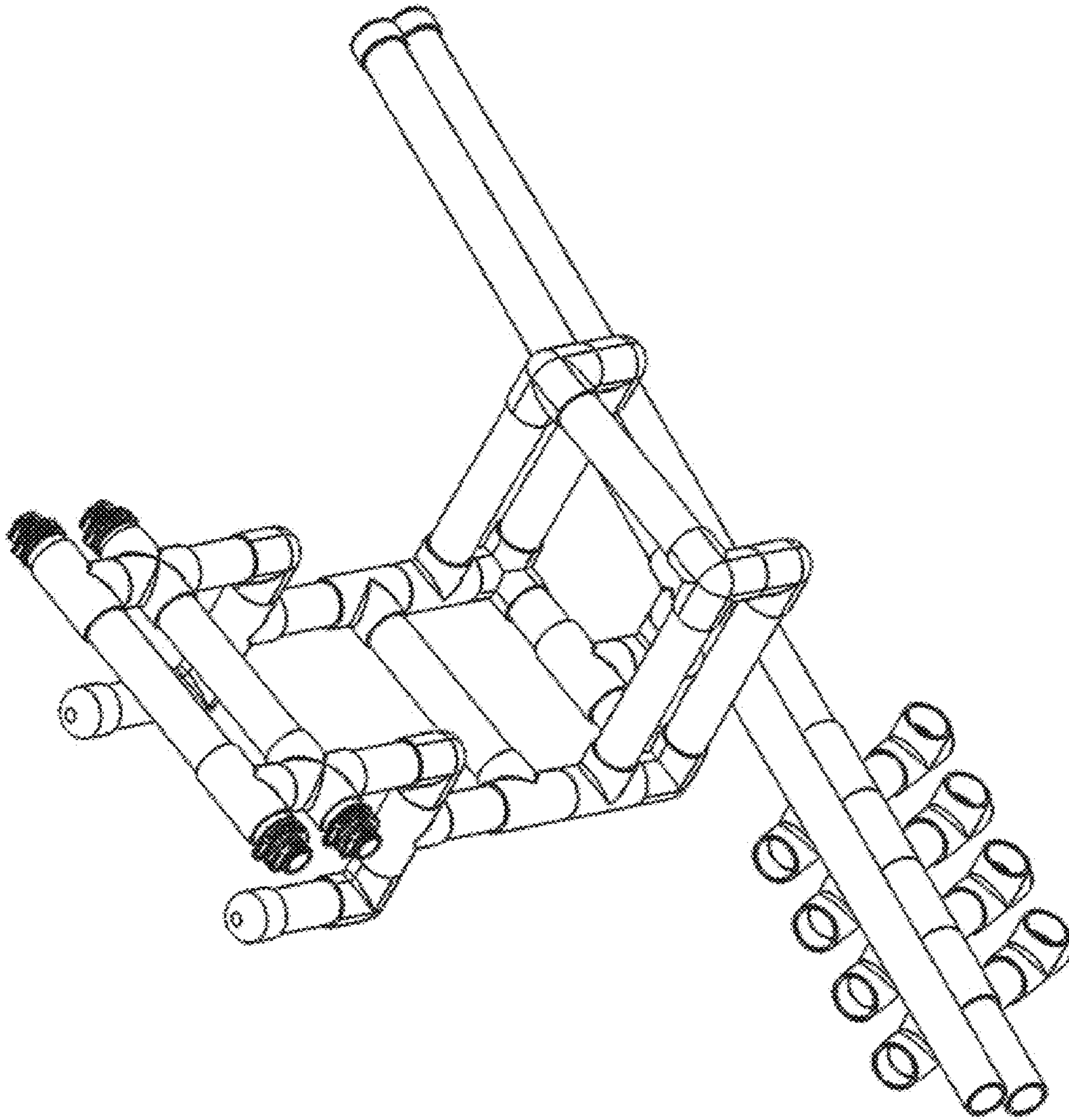


FIG. 11

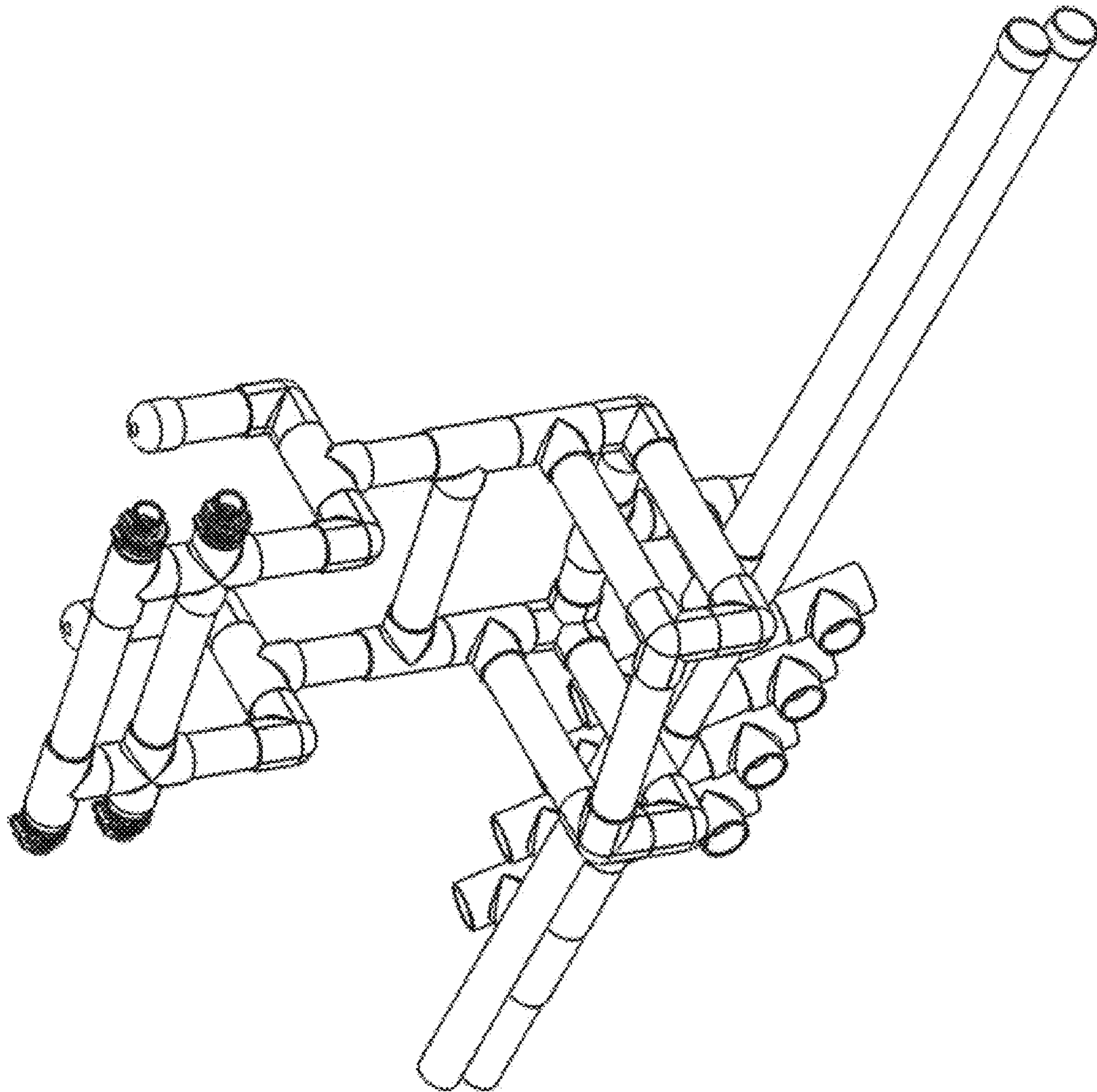


FIG. 12

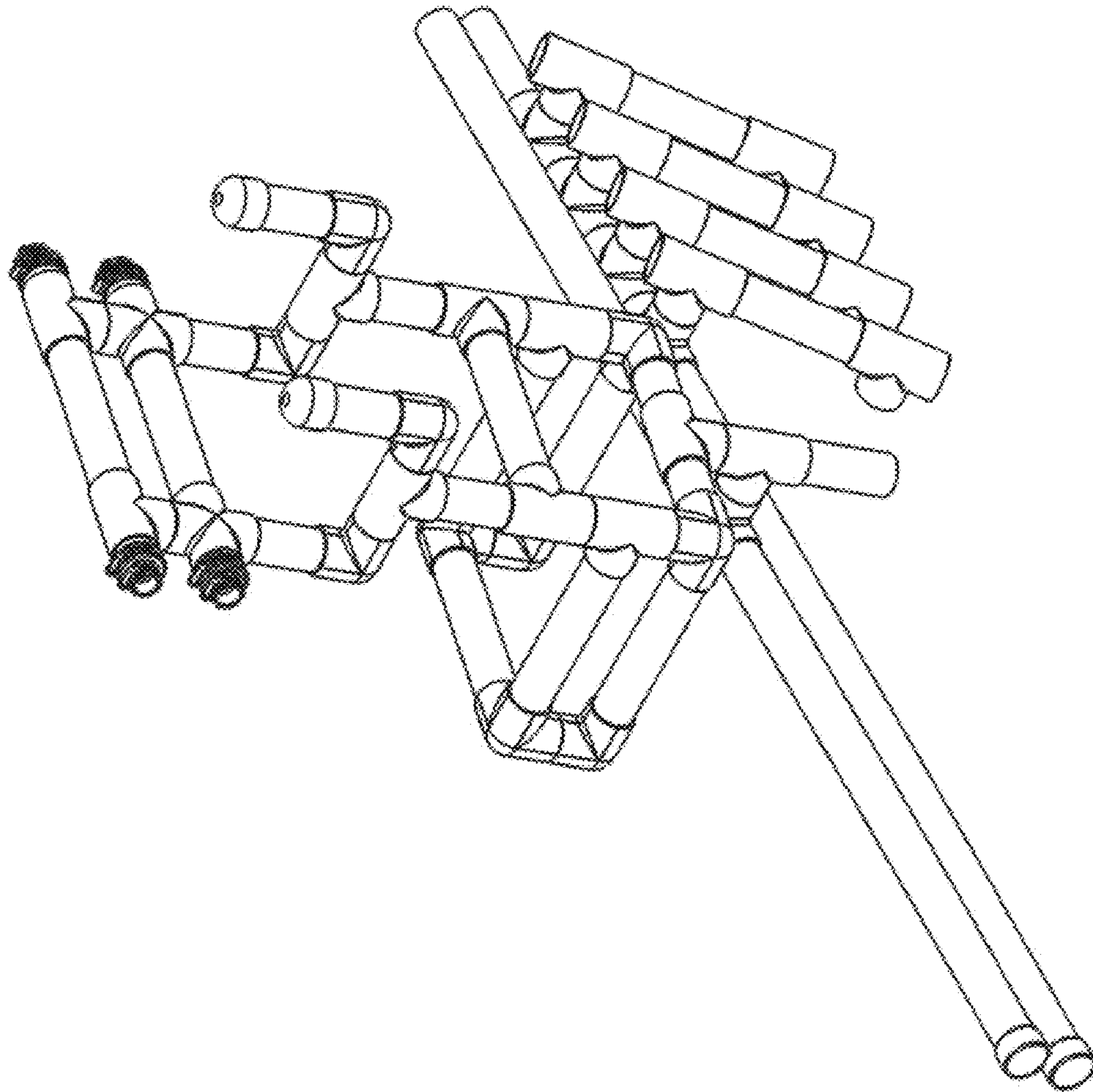


FIG. 13

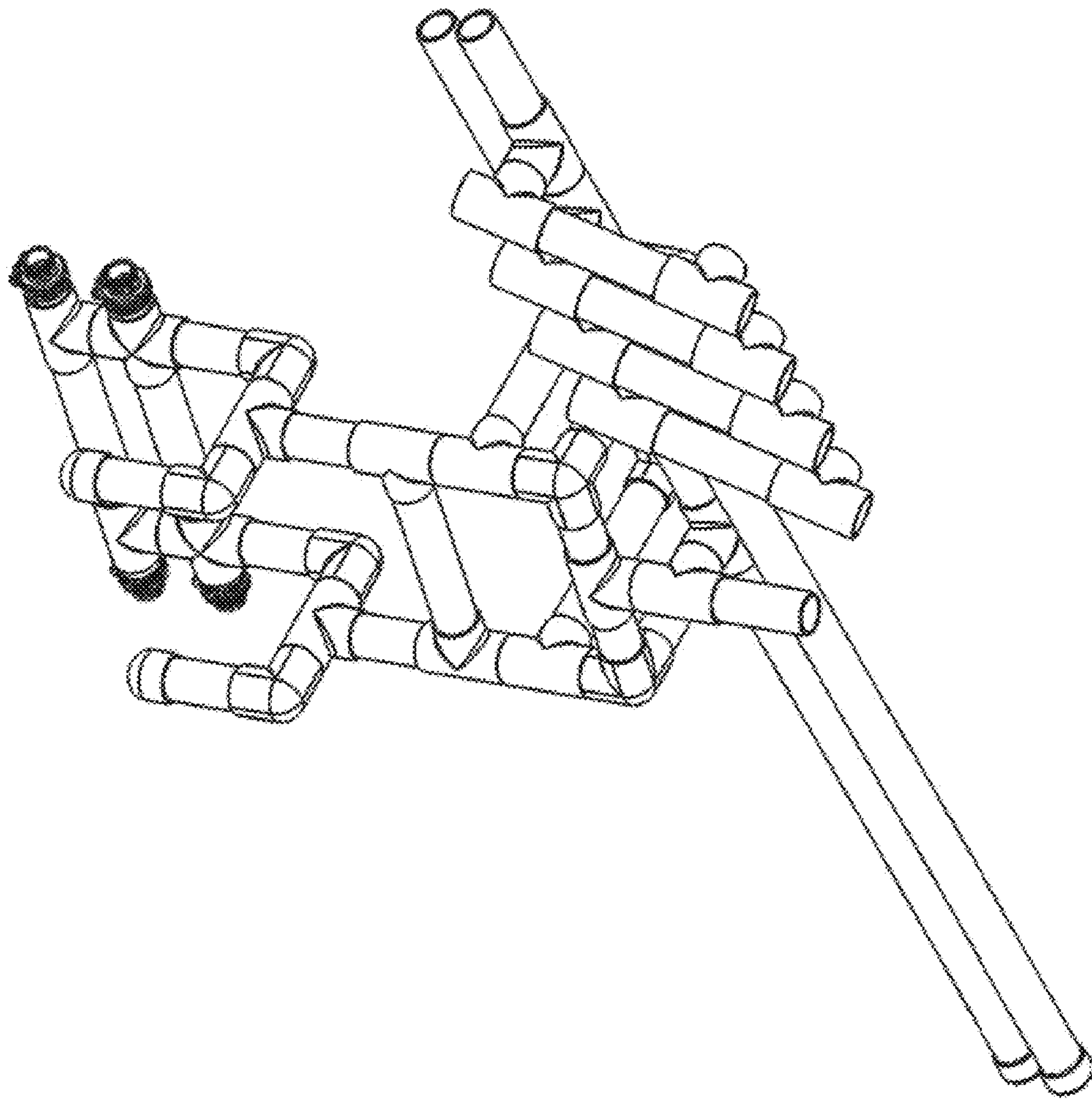


FIG. 14

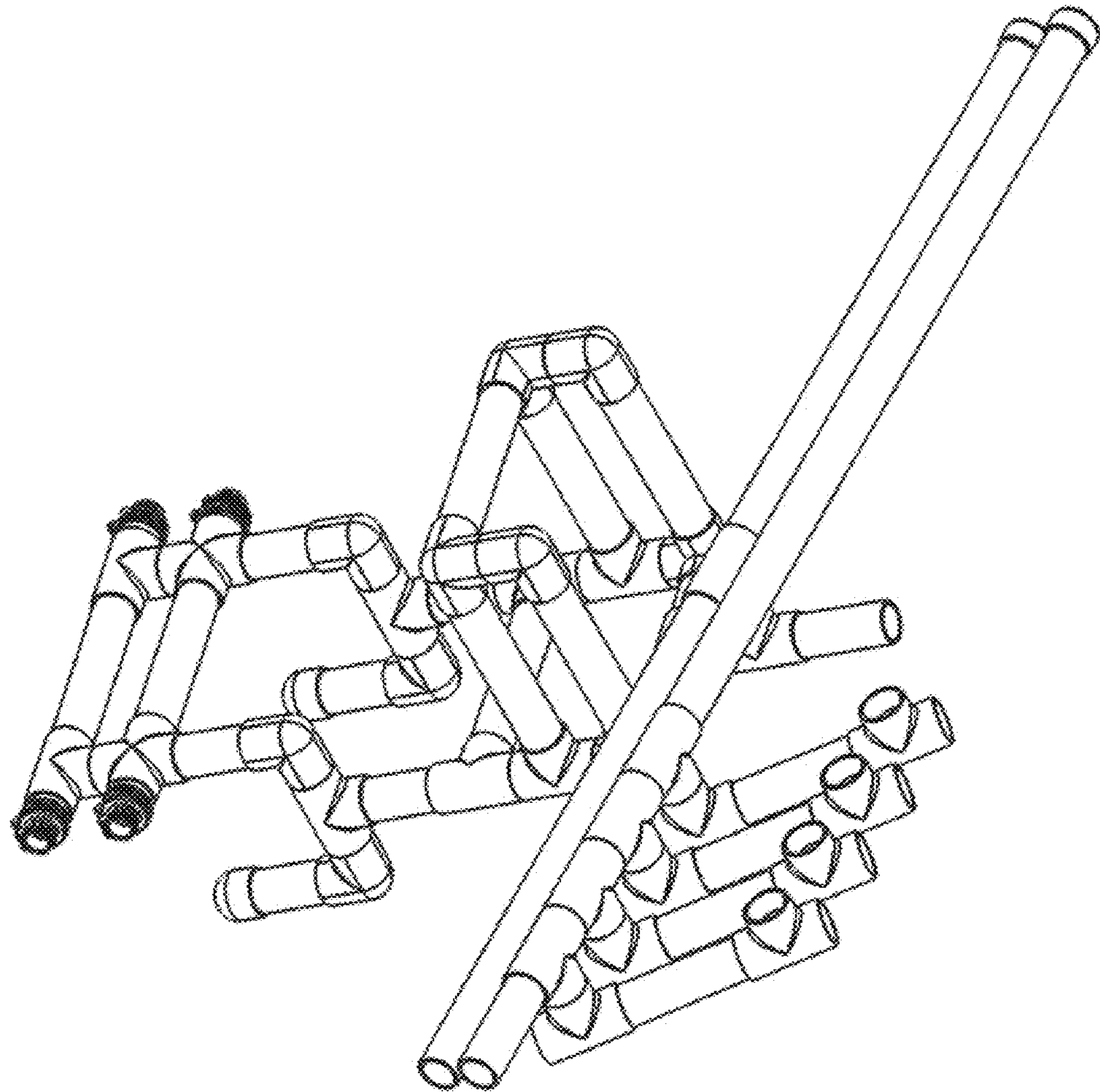


FIG. 15

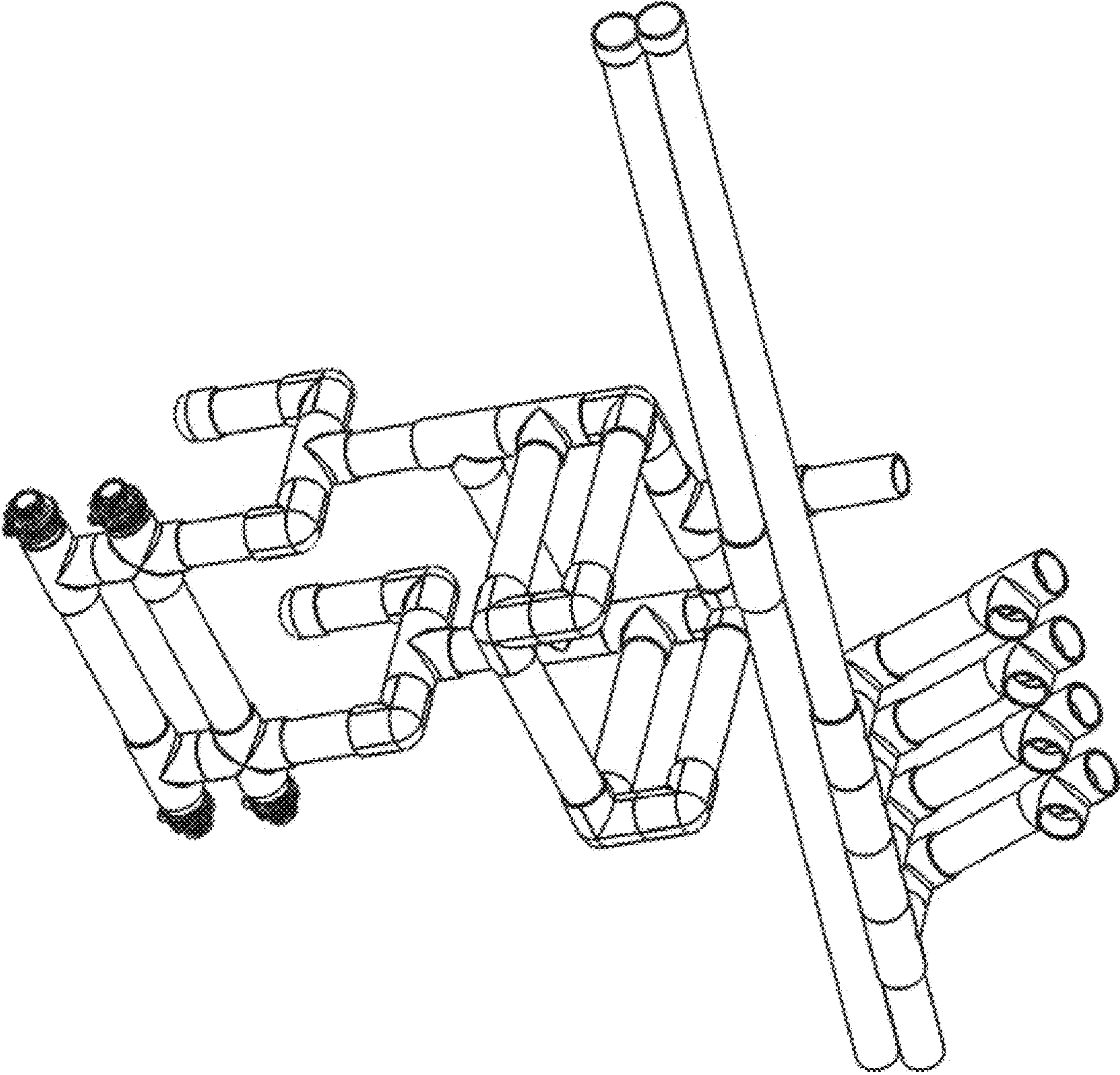


FIG. 16

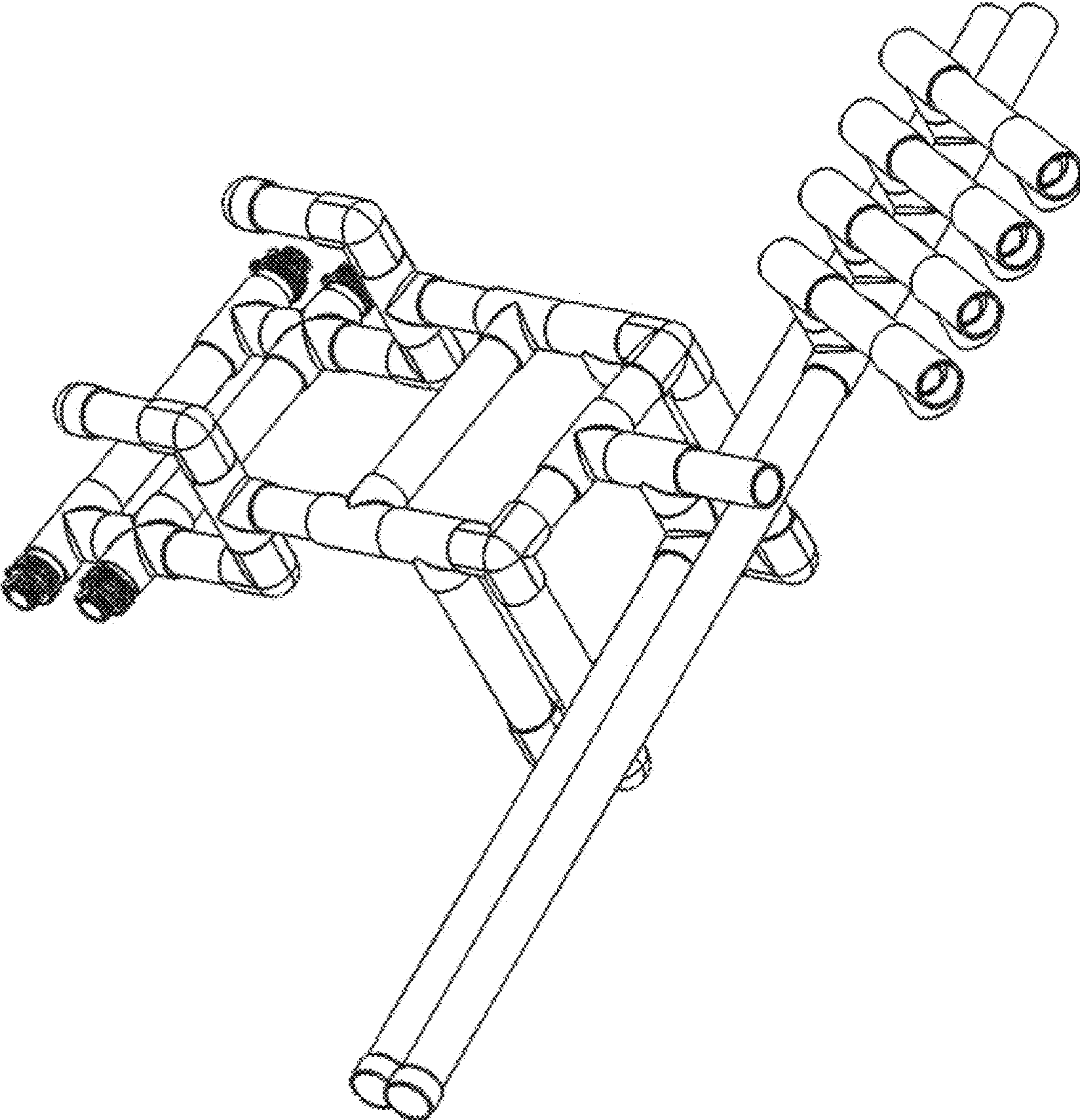


FIG. 17

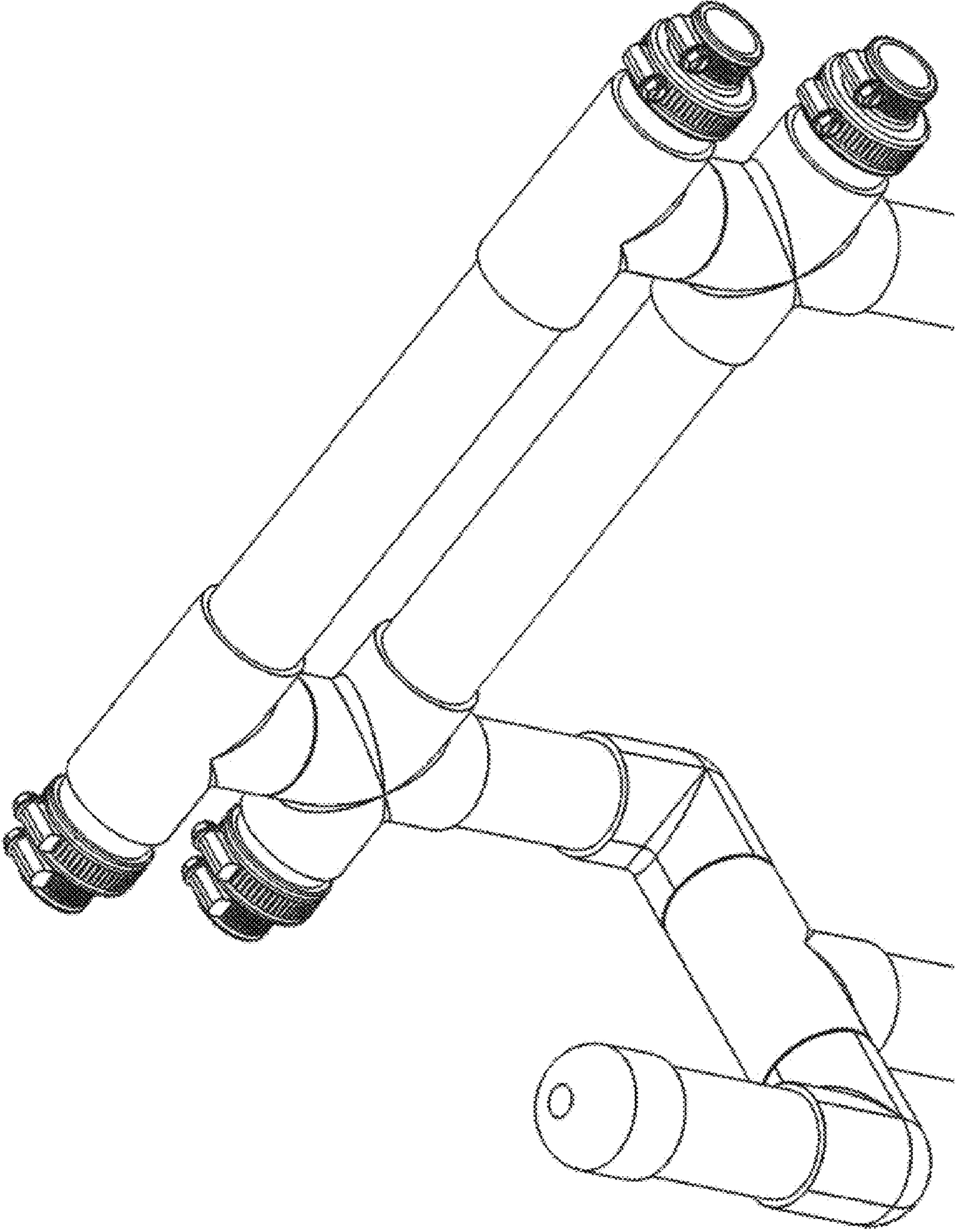


FIG. 18

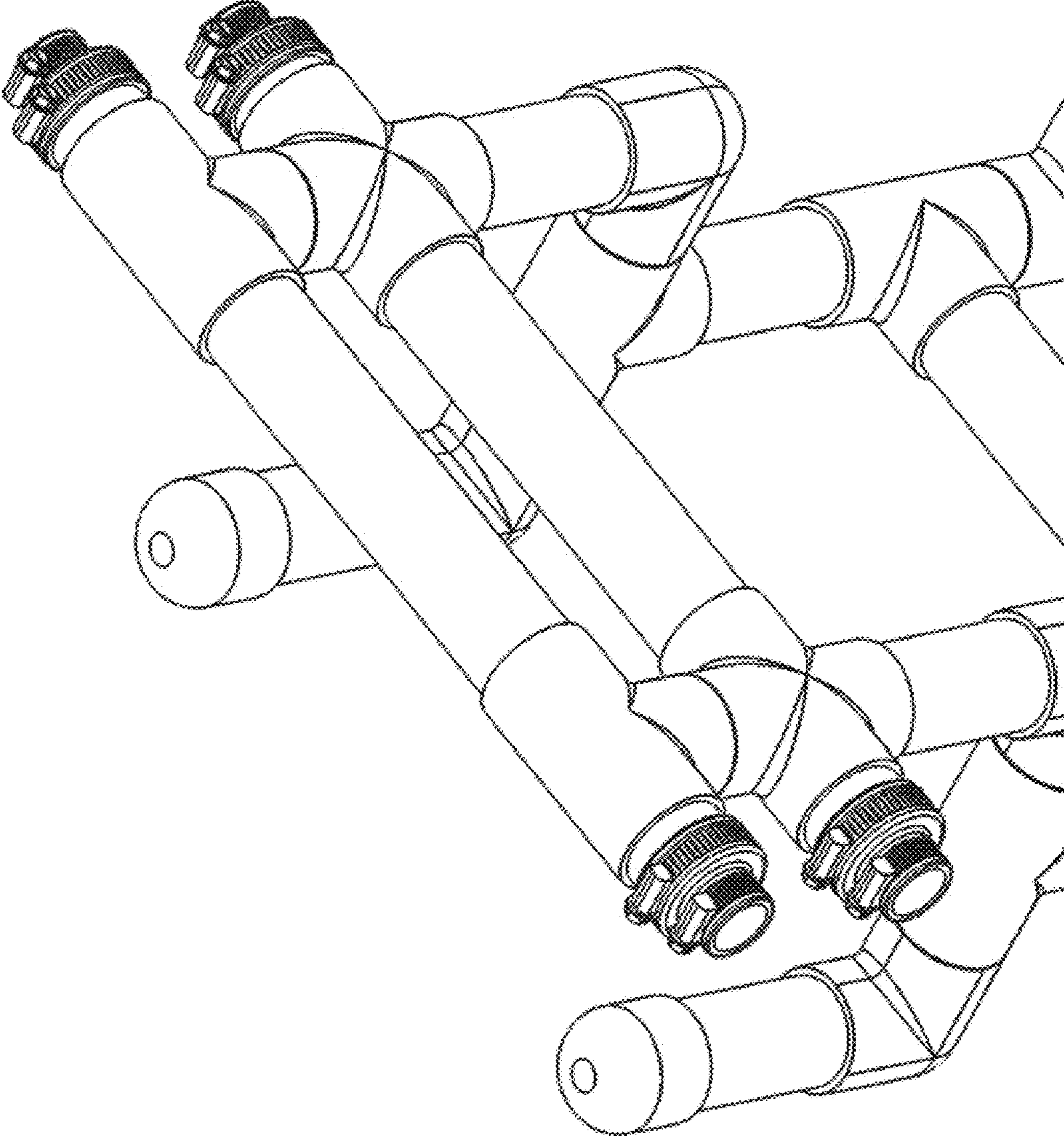


FIG. 19

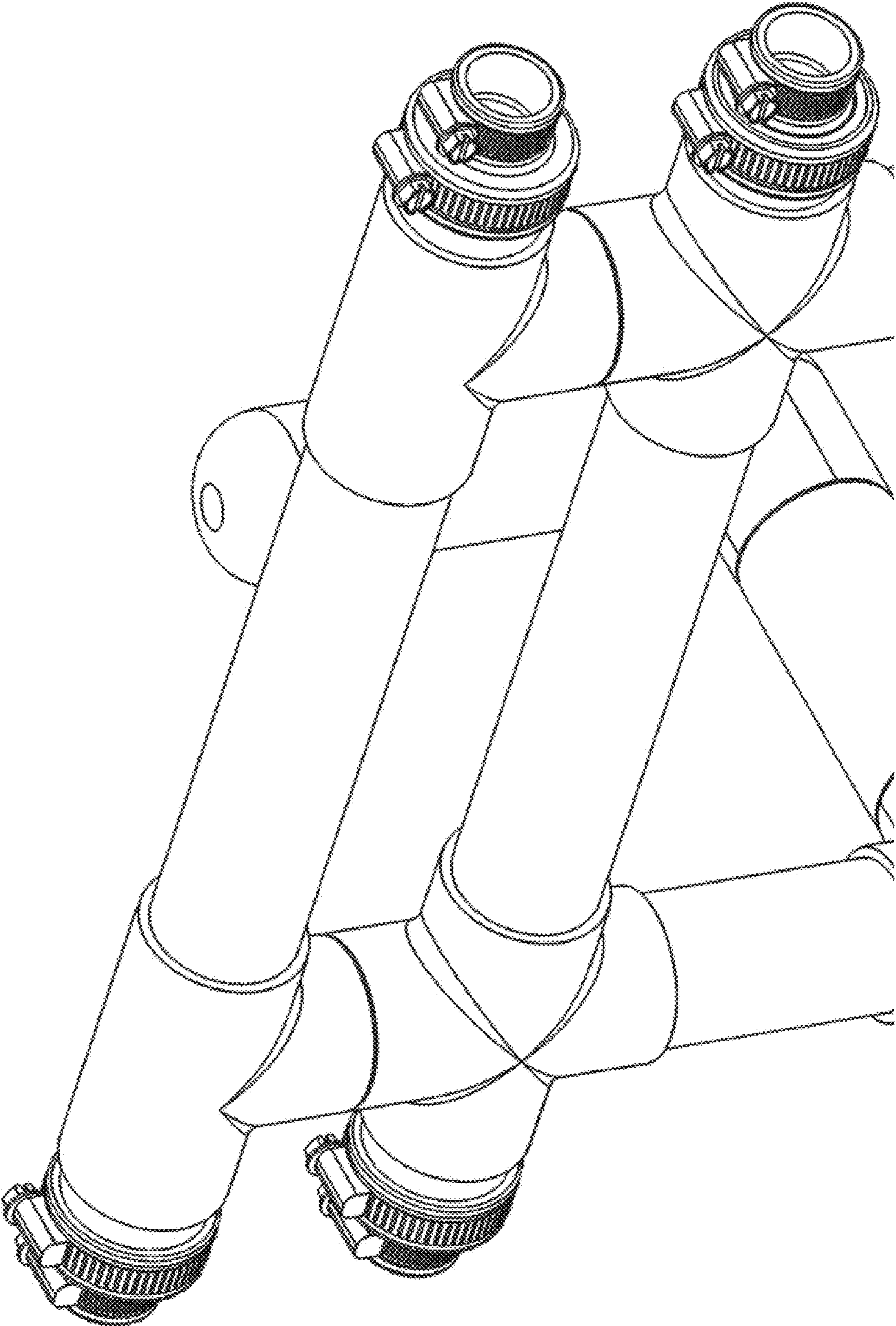


FIG. 20

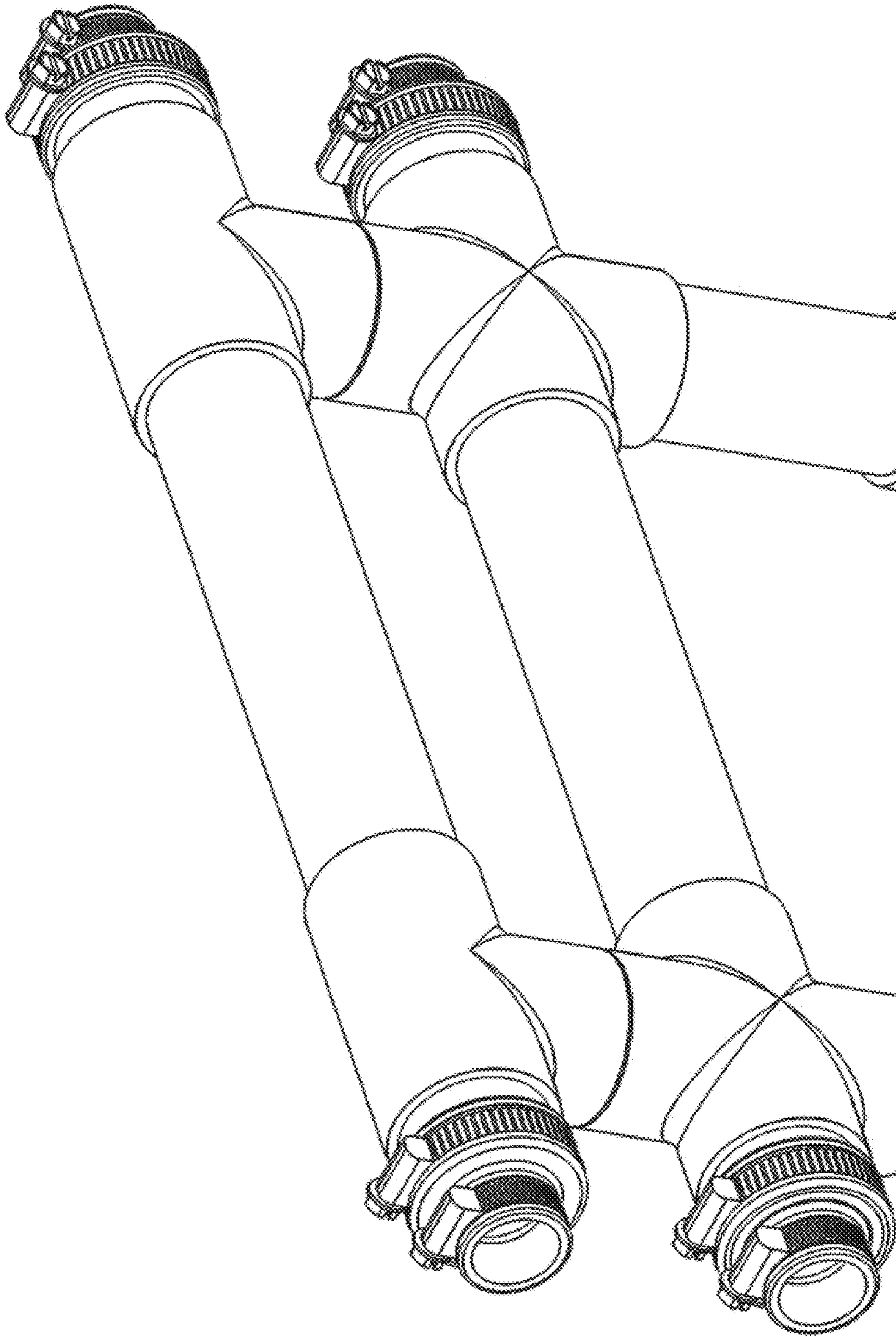


FIG. 21

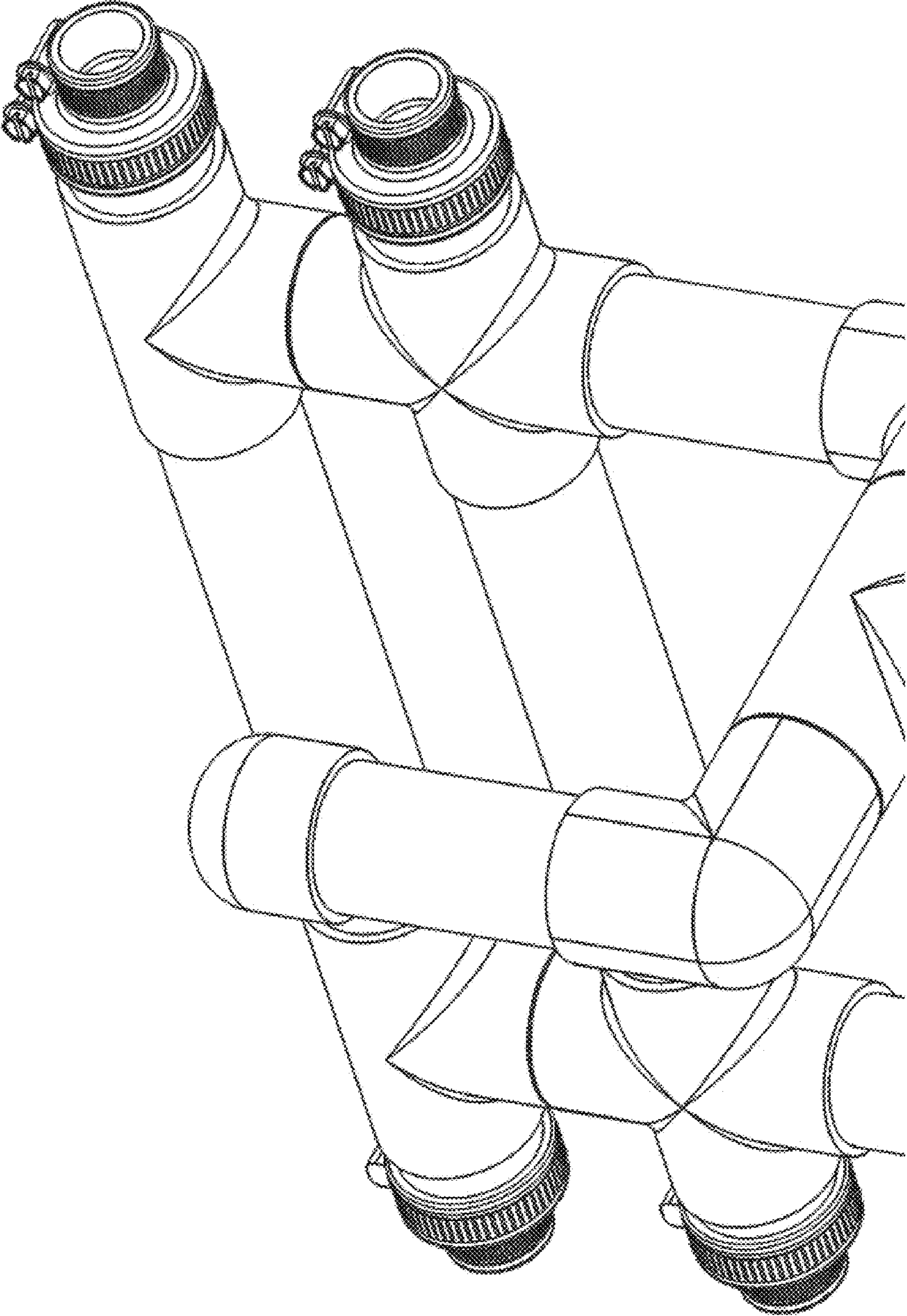


FIG. 22

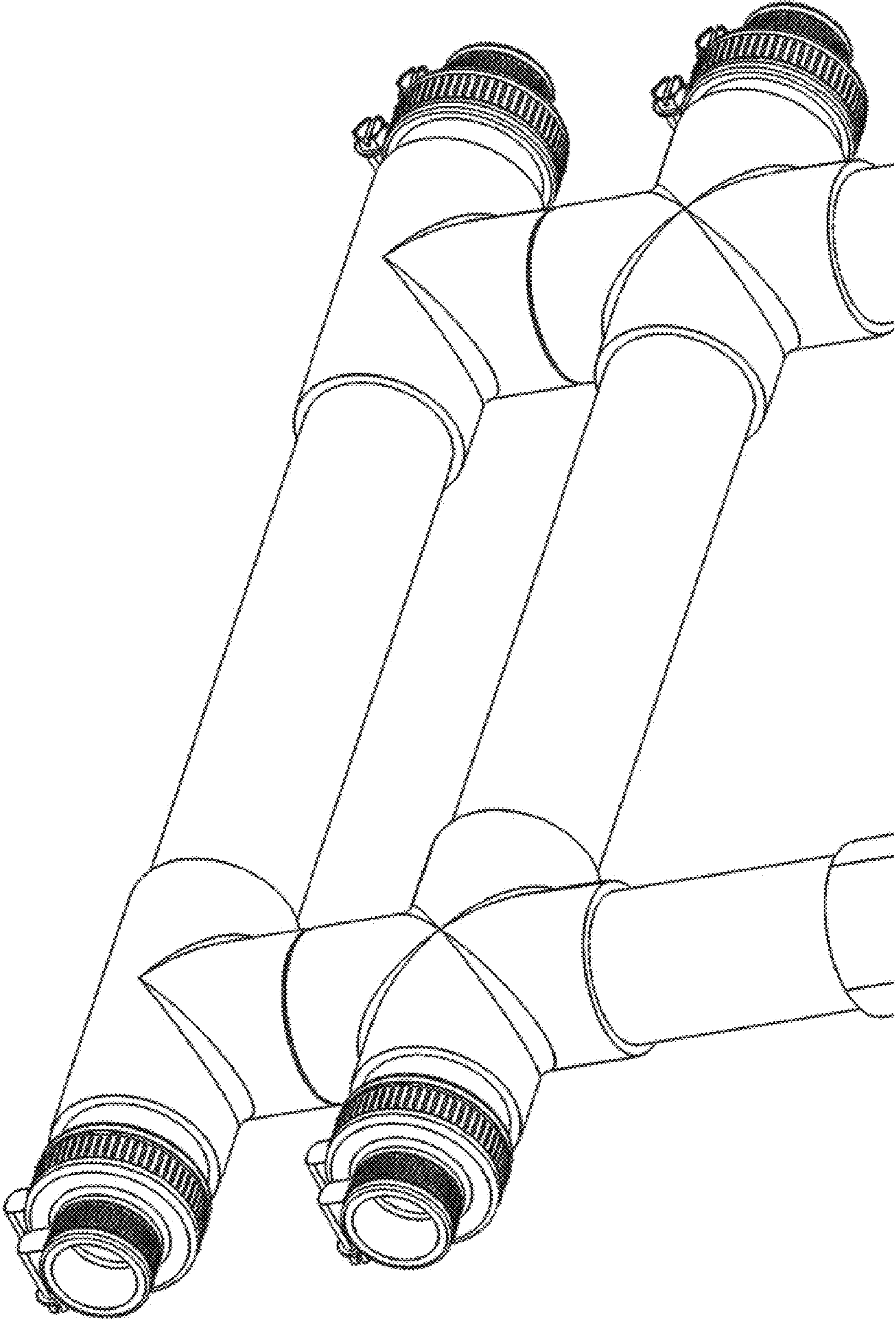


FIG. 23

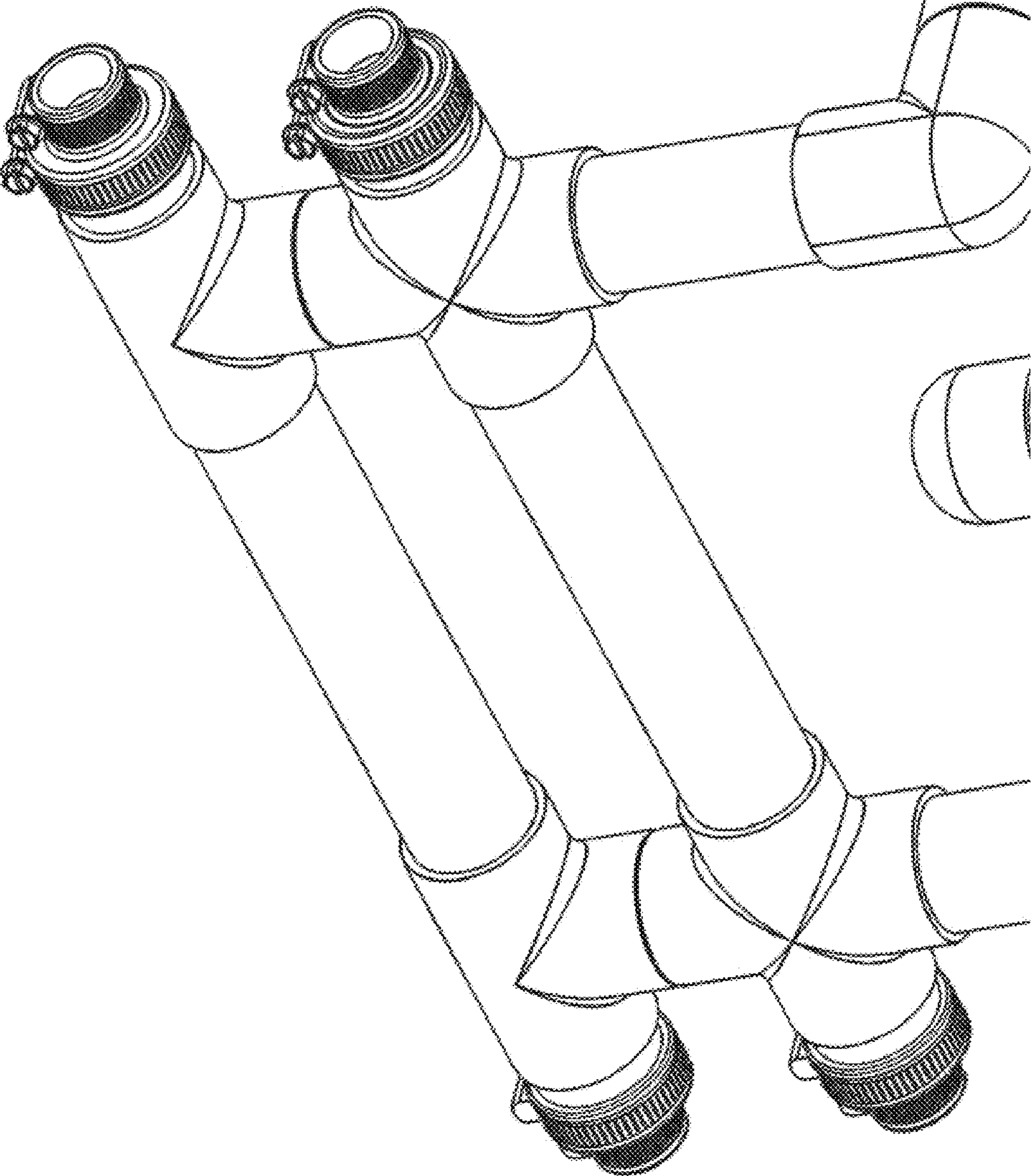


FIG. 24

