



US00D848808S

(12) **United States Design Patent**
Zhong

(10) **Patent No.:** **US D848,808 S**

(45) **Date of Patent:** **** May 21, 2019**

(54) **MULTIFUNCTIONAL PLIER**

(71) Applicant: **Jianbo Zhong**, Guangdong (CN)

(72) Inventor: **Jianbo Zhong**, Guangdong (CN)

(**) Term: **15 Years**

(21) Appl. No.: **29/630,179**

(22) Filed: **Dec. 19, 2017**

(51) **LOC (11) Cl.** **08-05**

(52) **U.S. Cl.**
USPC **D8/55**

(58) **Field of Classification Search**
USPC D8/4, 5, 14, 51-60, 105
CPC B25F 1/003
See application file for complete search history.

(56) **References Cited**

U.S. PATENT DOCUMENTS

D407,621	S *	4/1999	Koon	D8/55
D410,833	S *	6/1999	Hasegawa	D8/55
D426,446	S *	6/2000	Chau	D8/55
D426,447	S *	6/2000	Chau	D8/55
D470,384	S *	2/2003	Makedonski	D8/55
D477,509	S *	7/2003	Allen	D8/55
7,347,128	B2 *	3/2008	Rivera B25B	15/001
					30/152
D571,181	S *	6/2008	Klecker	D8/105
D596,911	S *	7/2009	Carpenter	D8/55
D603,681	S *	11/2009	Brands	D8/105
D623,038	S *	9/2010	Seeds	D8/105
D626,810	S *	11/2010	Steineckert B25F 1/04	D8/55
					D8/55
D630,924	S *	1/2011	Steineckert	D8/105

D635,002	S *	3/2011	Rivera	D8/105
8,857,299	B2 *	10/2014	Huttula	B25F 1/003
					7/128
D746,658	S *	1/2016	Mihailides	D8/105
D764,885	S *	8/2016	Nai	D8/55
2002/0083530	A1 *	7/2002	Rivera	B25F 1/003
					7/128
2004/0003472	A1 *	1/2004	Dallas	B25F 1/003
					7/128
2005/0193498	A1 *	9/2005	Klecker	A01G 3/02
					7/158
2010/0122420	A1 *	5/2010	Nason	B25B 7/123
					7/128

* cited by examiner

Primary Examiner — Deanna L Pratt

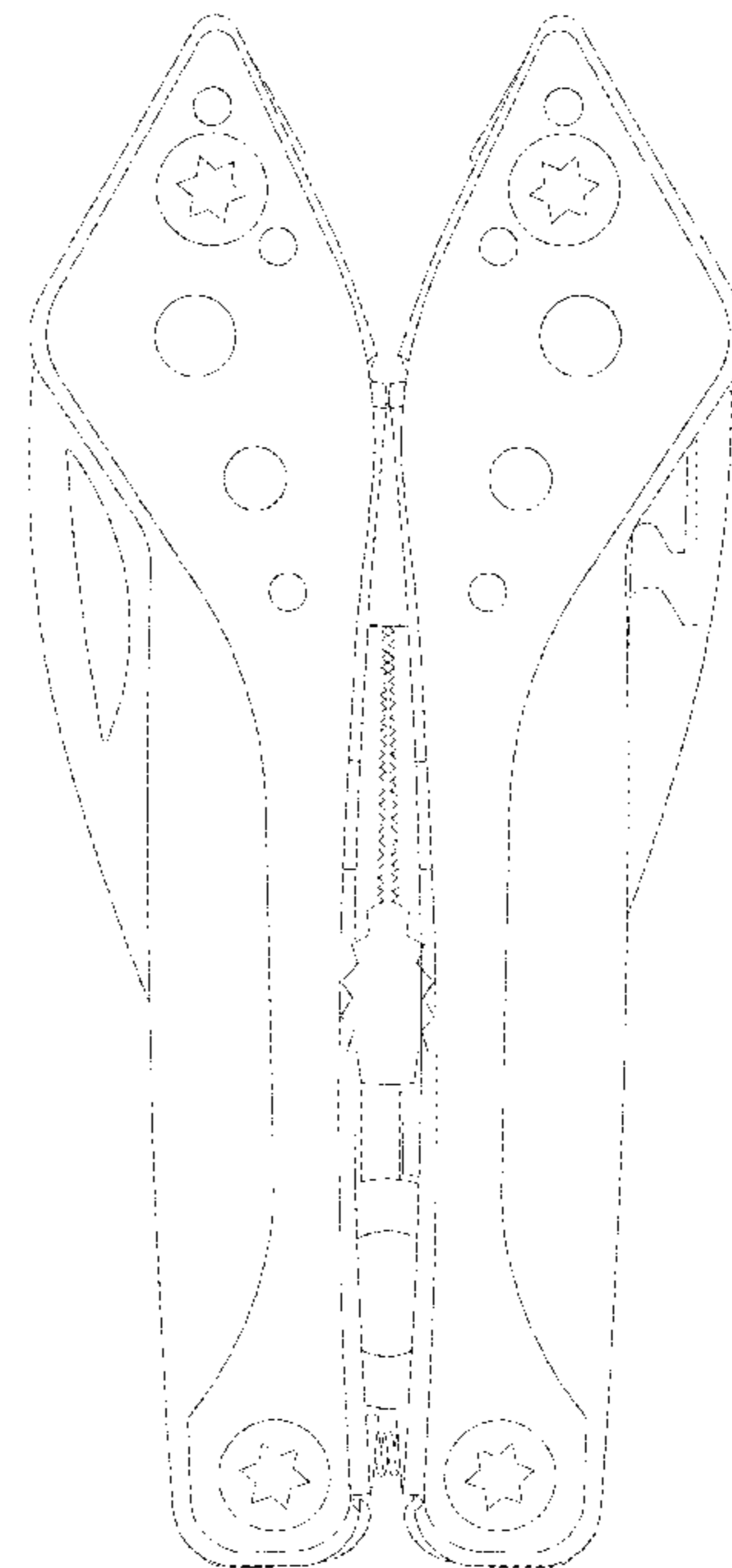
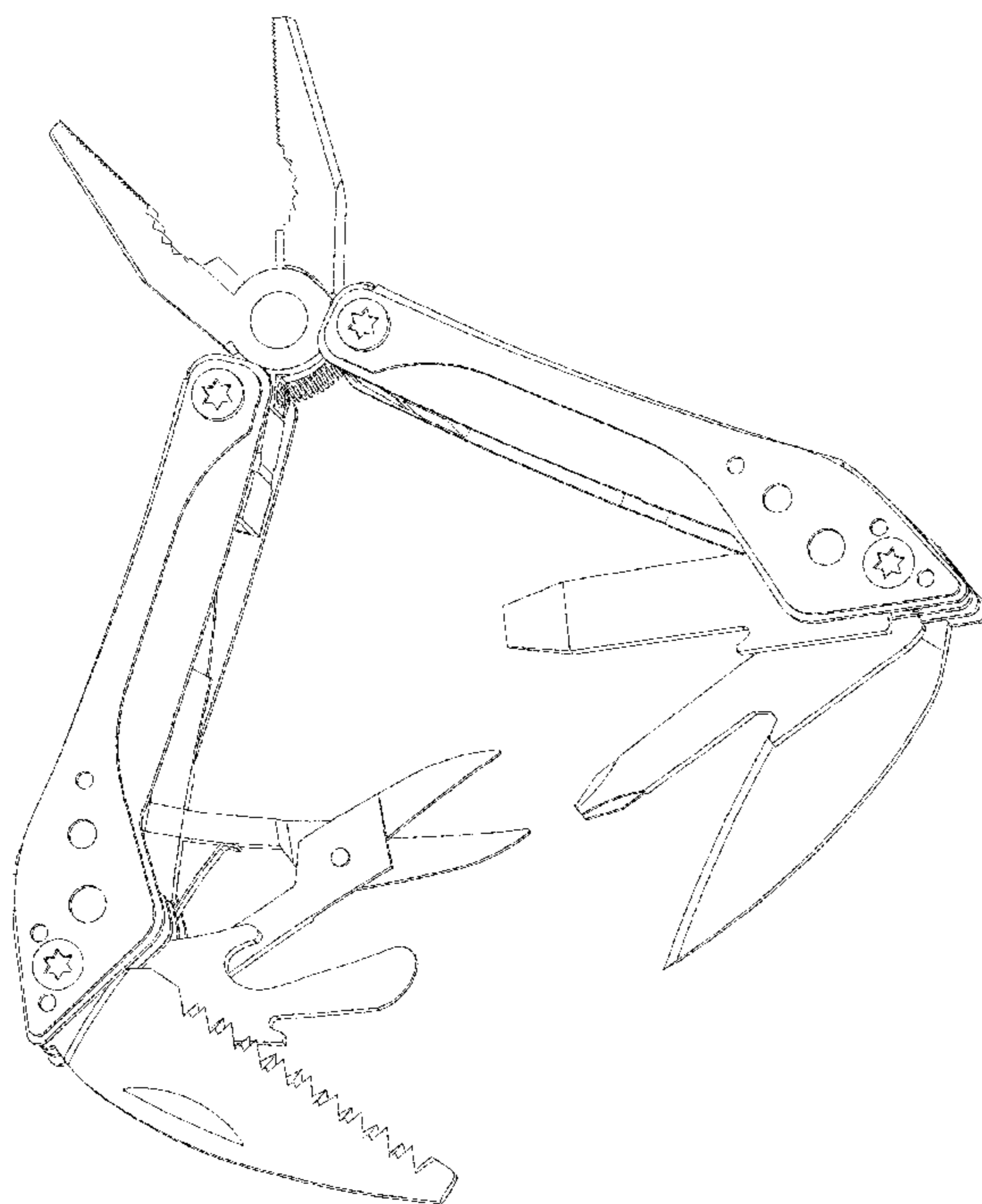
(57) **CLAIM**

The ornamental design for a multifunctional plier, as shown.

DESCRIPTION

FIG. 1 is a front elevational view of a multifunctional plier showing my new design;
FIG. 2 is a rear elevational view thereof;
FIG. 3 is a left side view thereof;
FIG. 4 is a right side view thereof;
FIG. 5 is a top plan view thereof;
FIG. 6 is a bottom plan view thereof;
FIG. 7 is a front elevational view in opened state;
FIG. 8 is a perspective view in opened state; and,
FIG. 9 is a front elevational view in folded state.

1 Claim, 6 Drawing Sheets



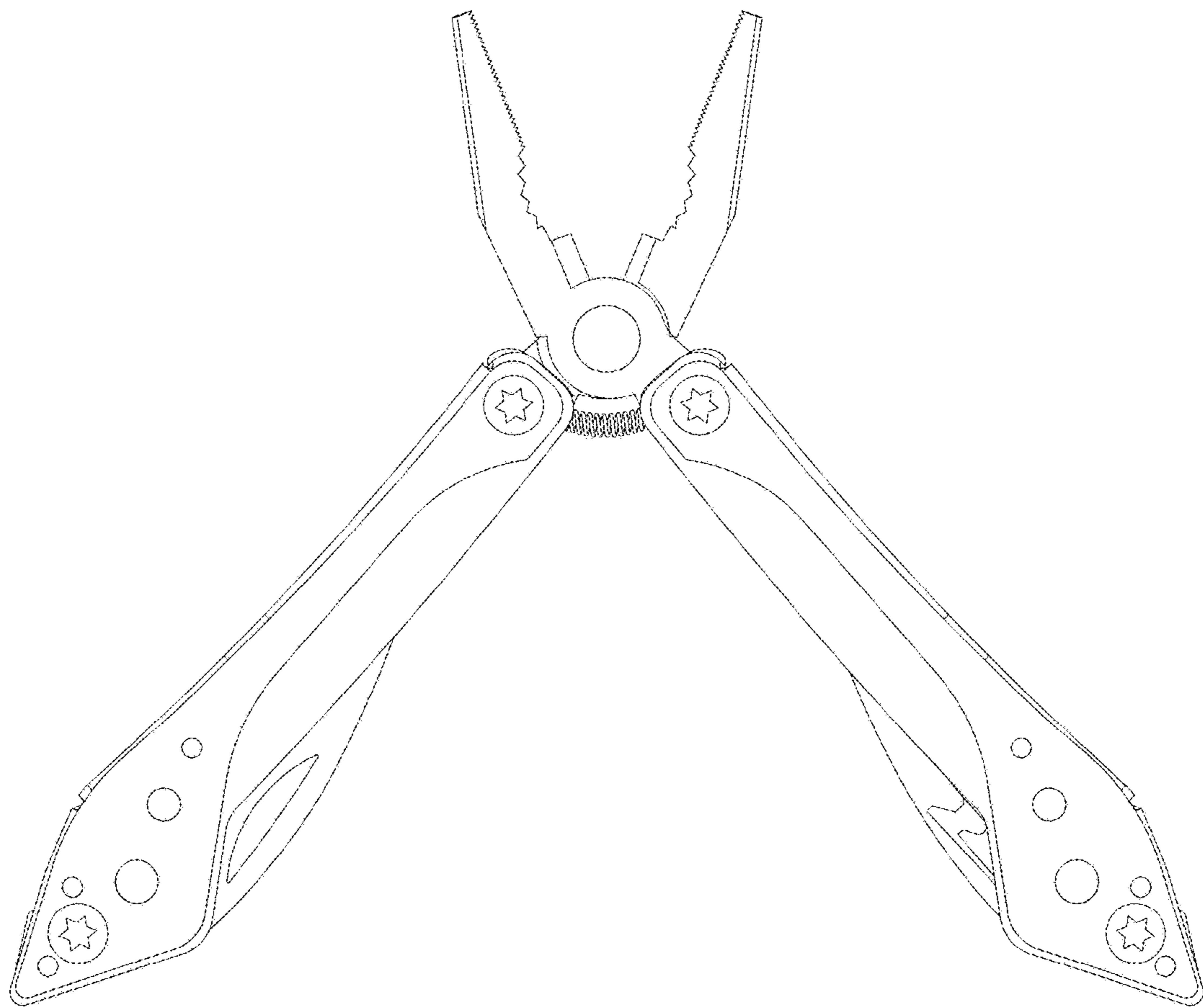


FIG. 1

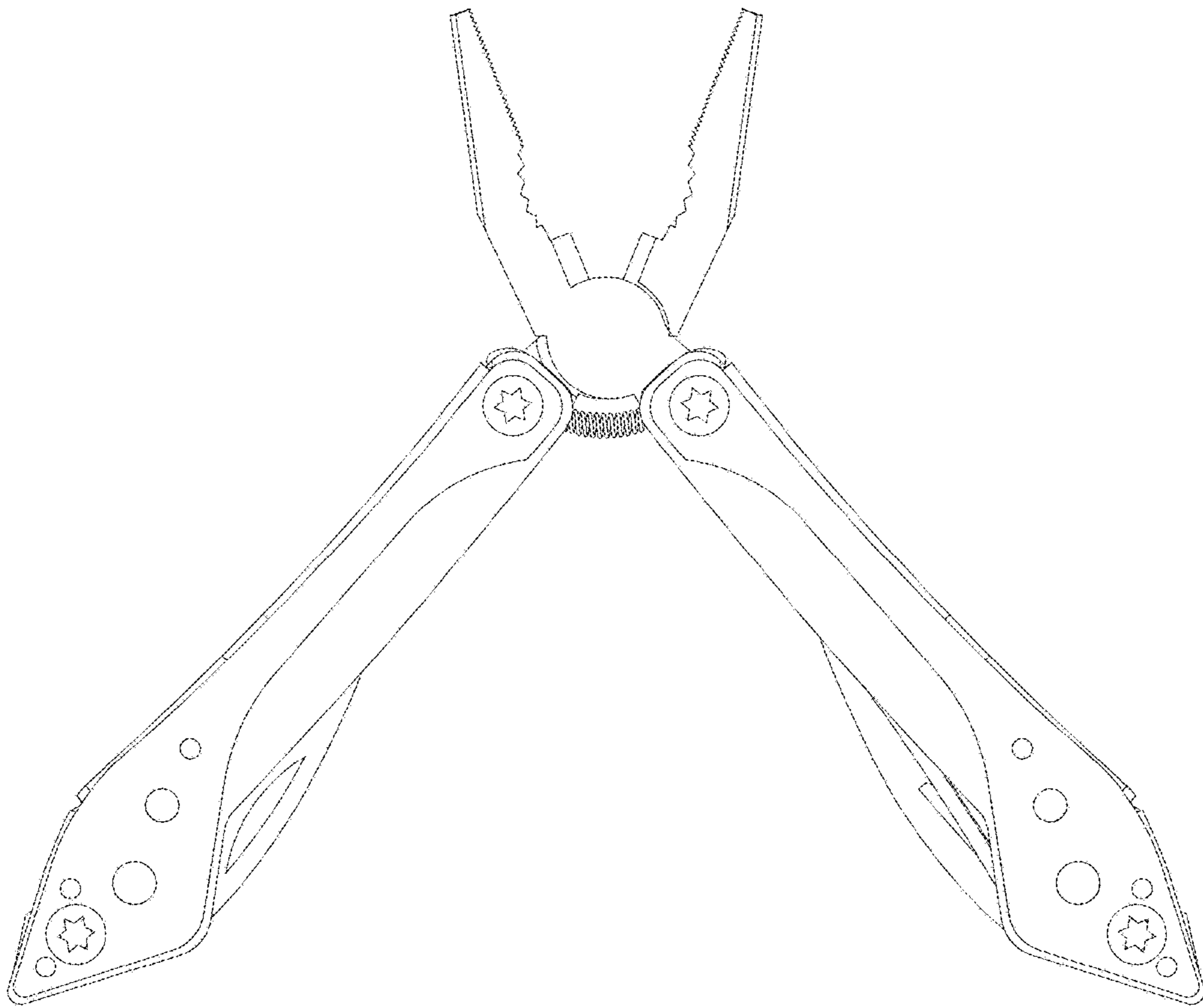


FIG. 2

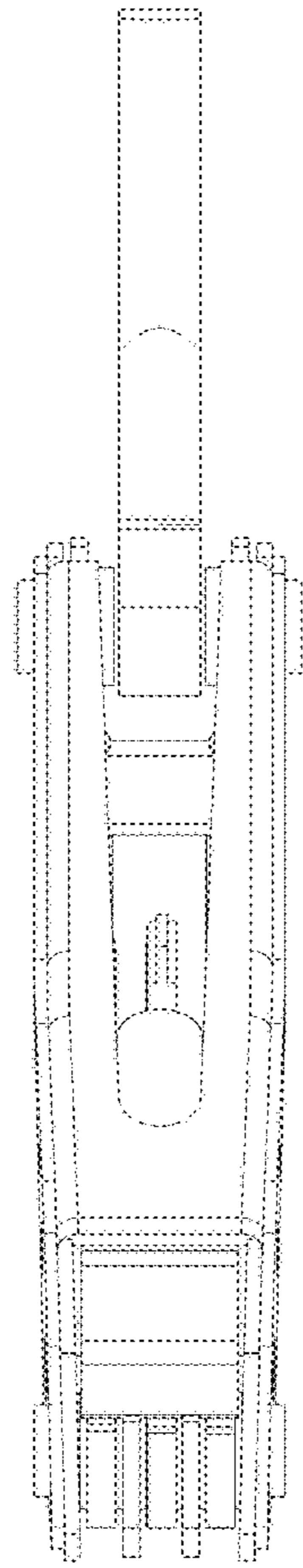


FIG. 3

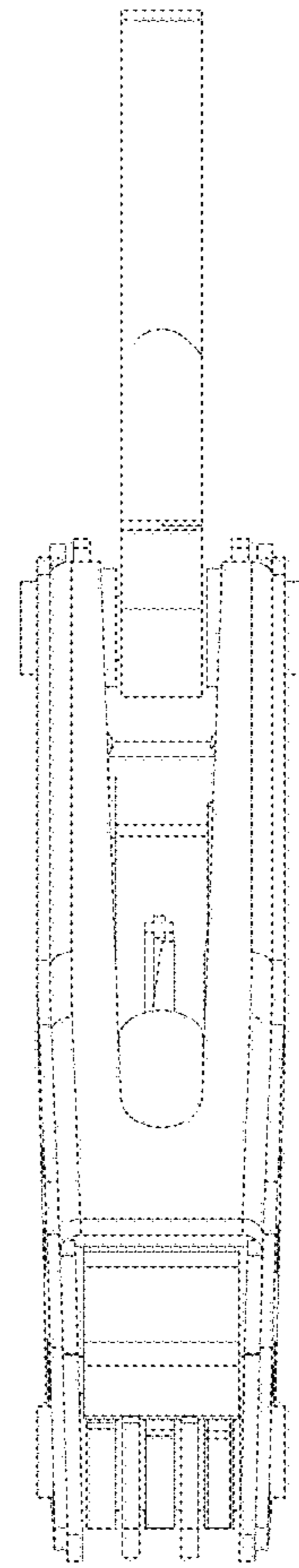


FIG. 4

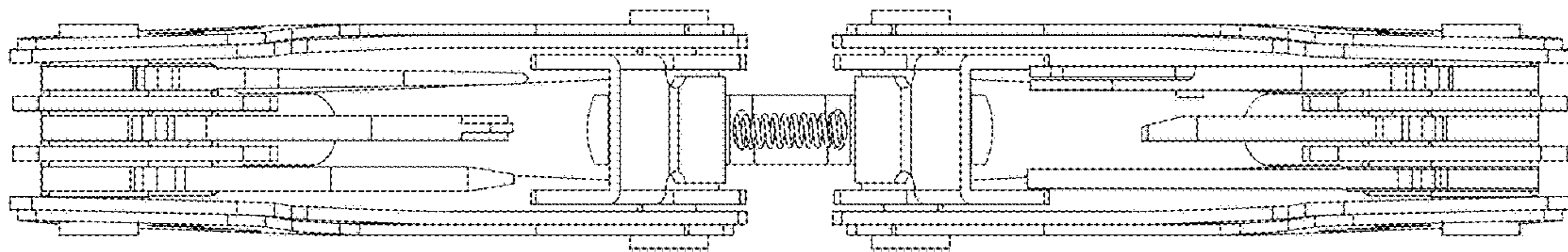


FIG. 5

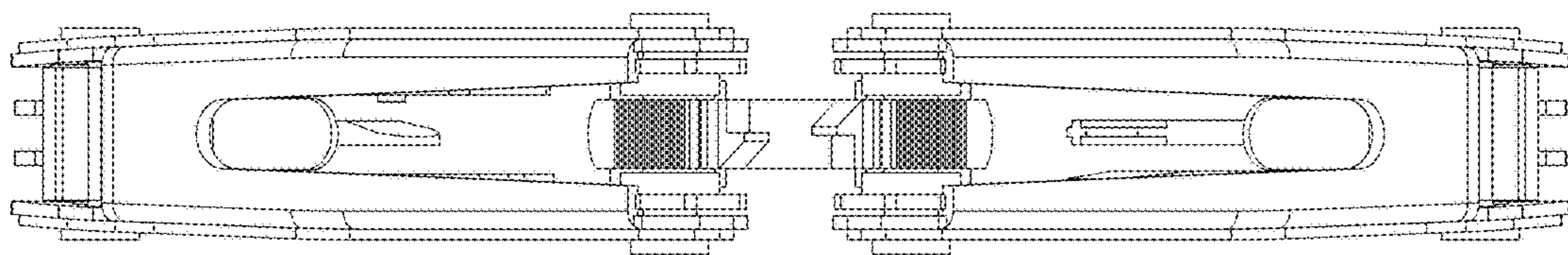


FIG. 6

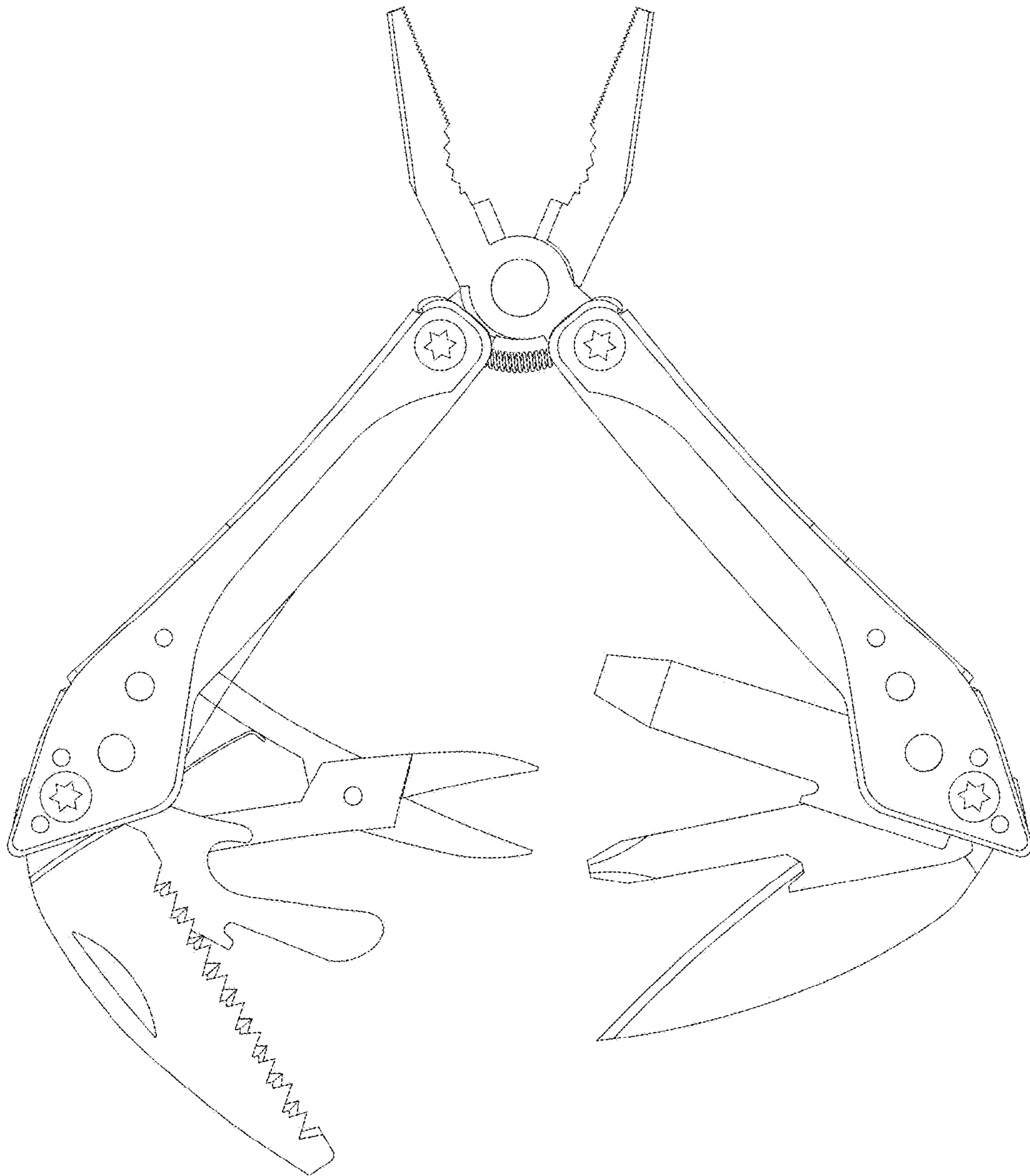


FIG. 7

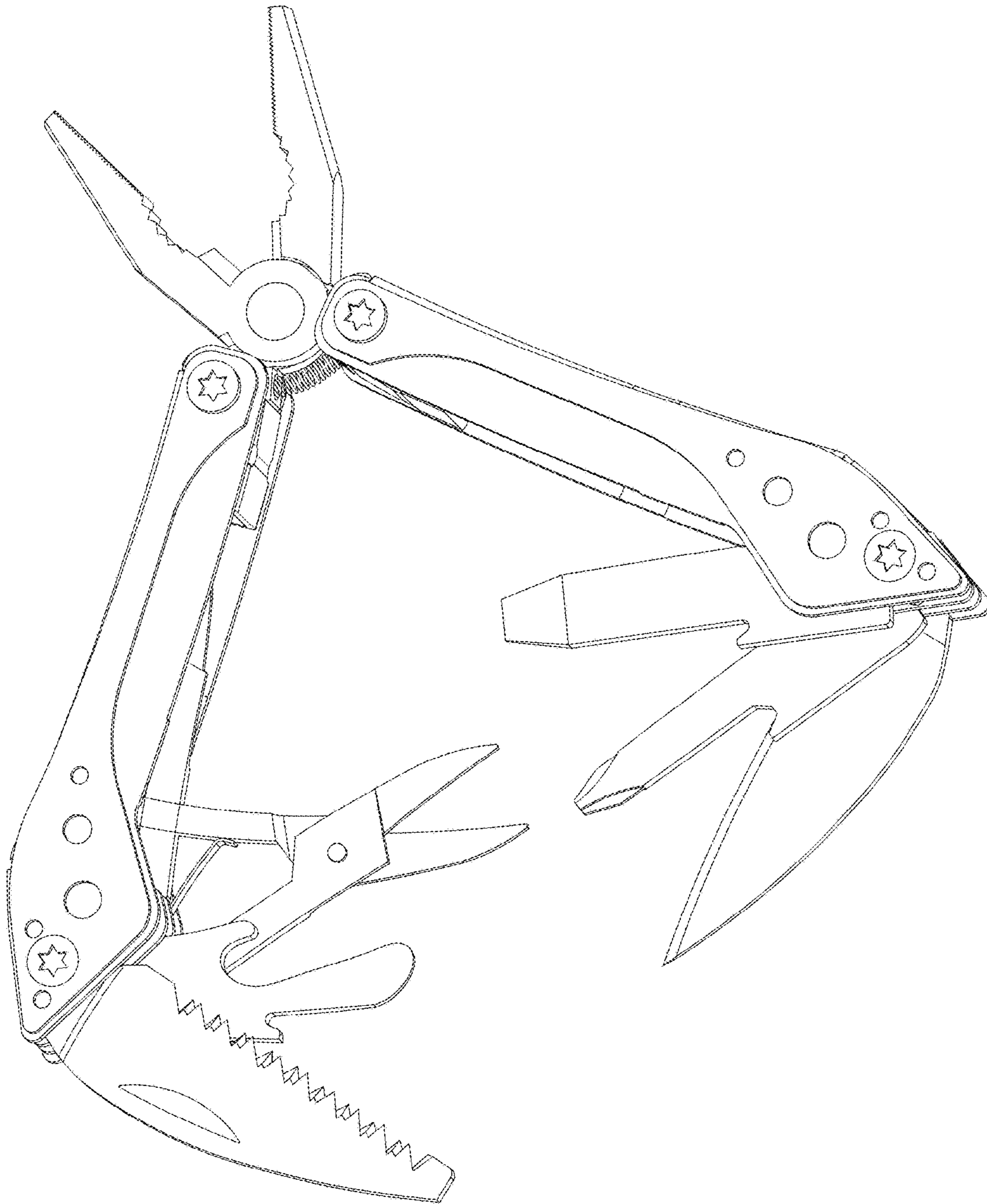


FIG. 8

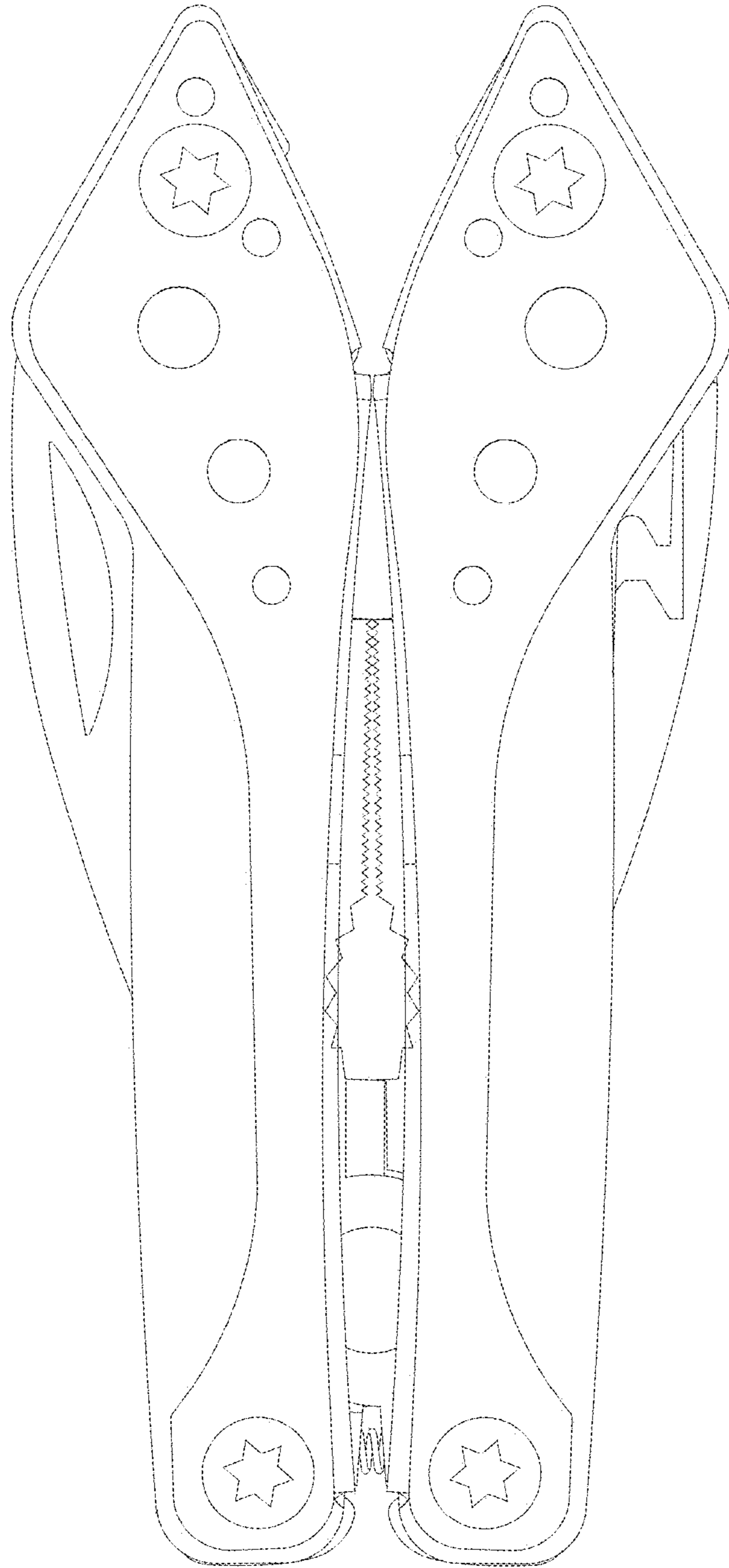


FIG. 9