



US00D848805S

(12) **United States Design Patent**
Dombrowski et al.

(10) **Patent No.:** **US D848,805 S**
(45) **Date of Patent:** **** May 21, 2019**

(54) **DRYWALL CORNER FINISHER**

(71) Applicant: **CanAm Tool Corp.**, Sturgeon County (CA)

(72) Inventors: **Wolfgang Dombrowski**, Sturgeon County (CA); **Jimmy Rogers**, Toronto (CA)

(73) Assignee: **Can-Am Tool Corp.**, Sturgeon Count (CA)

(**) Term: **15 Years**

(21) Appl. No.: **29/610,741**

(22) Filed: **Jul. 14, 2017**

(30) **Foreign Application Priority Data**

Jan. 16, 2017 (CA) 172511

(51) **LOC (11) Cl.** **08-05**

(52) **U.S. Cl.**
USPC **D8/45**

(58) **Field of Classification Search**
USPC D8/45, 354, 382, 384, 385, 394, 499;
D25/55, 60, 61, 133, 199
CPC F16C 11/0657; E04F 21/00; E04F 21/02;
E04F 21/06; E04F 21/1655; B05C
(Continued)

(56) **References Cited**

U.S. PATENT DOCUMENTS

3,932,101 A * 1/1976 Johnson B05C 17/00503
425/458
4,116,604 A * 9/1978 Johnson E04F 21/02
15/235.7

(Continued)

FOREIGN PATENT DOCUMENTS

CA 152737 * 7/2014
CN 303156833 * 4/2015

OTHER PUBLICATIONS

https://cdn2.hubspot.net/hubfs/133874/Tool_Catalogue.pdf?utm_referrer=http%3A%2F%2Fwww.canamtool.com%2F Oct. 7, 2017 (Year: 2017).*

Primary Examiner — Leanne Was-Englehart
(74) *Attorney, Agent, or Firm* — Davis & Bujold PLLC; Michael J. Bujold

(57) **CLAIM**

We claim the ornamental design for a drywall corner finisher, as shown and described.

DESCRIPTION

FIG. 1 is a front perspective view of the drywall corner finisher.

FIG. 2 is a rear perspective view of the drywall corner finisher.

FIG. 3 is a top plan view of the drywall corner finisher.

FIG. 4 is a front elevation view of the drywall corner finisher.

FIG. 5 is a rear elevation view of the drywall corner finisher.

FIG. 6 is a bottom plan view of the drywall corner finisher.

FIG. 7 is a front perspective view of a design variant of drywall corner finisher.

FIG. 8 is a rear perspective view of the design variant of drywall corner finisher.

FIG. 9 is a top plan view of the design variant of drywall corner finisher.

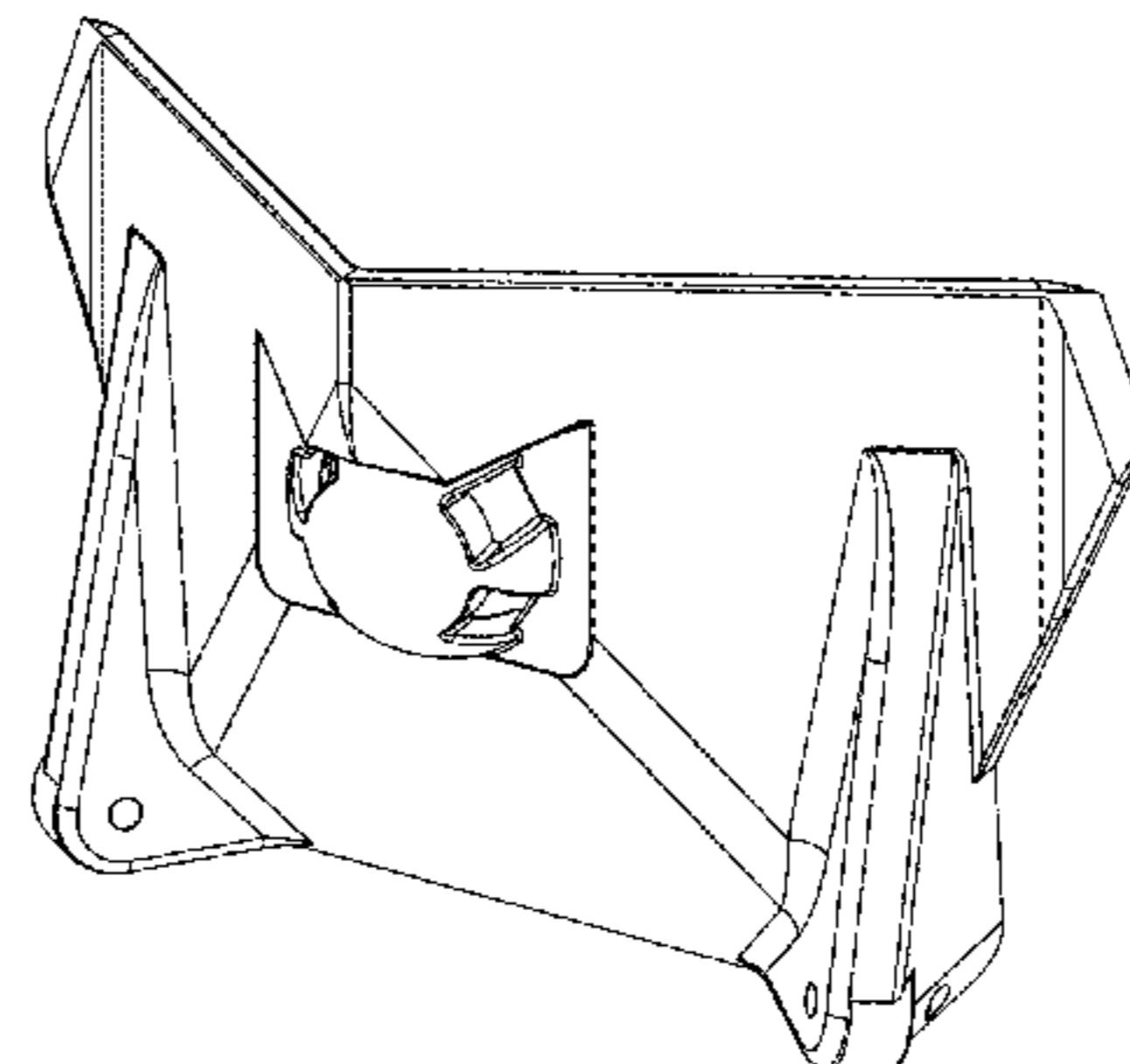
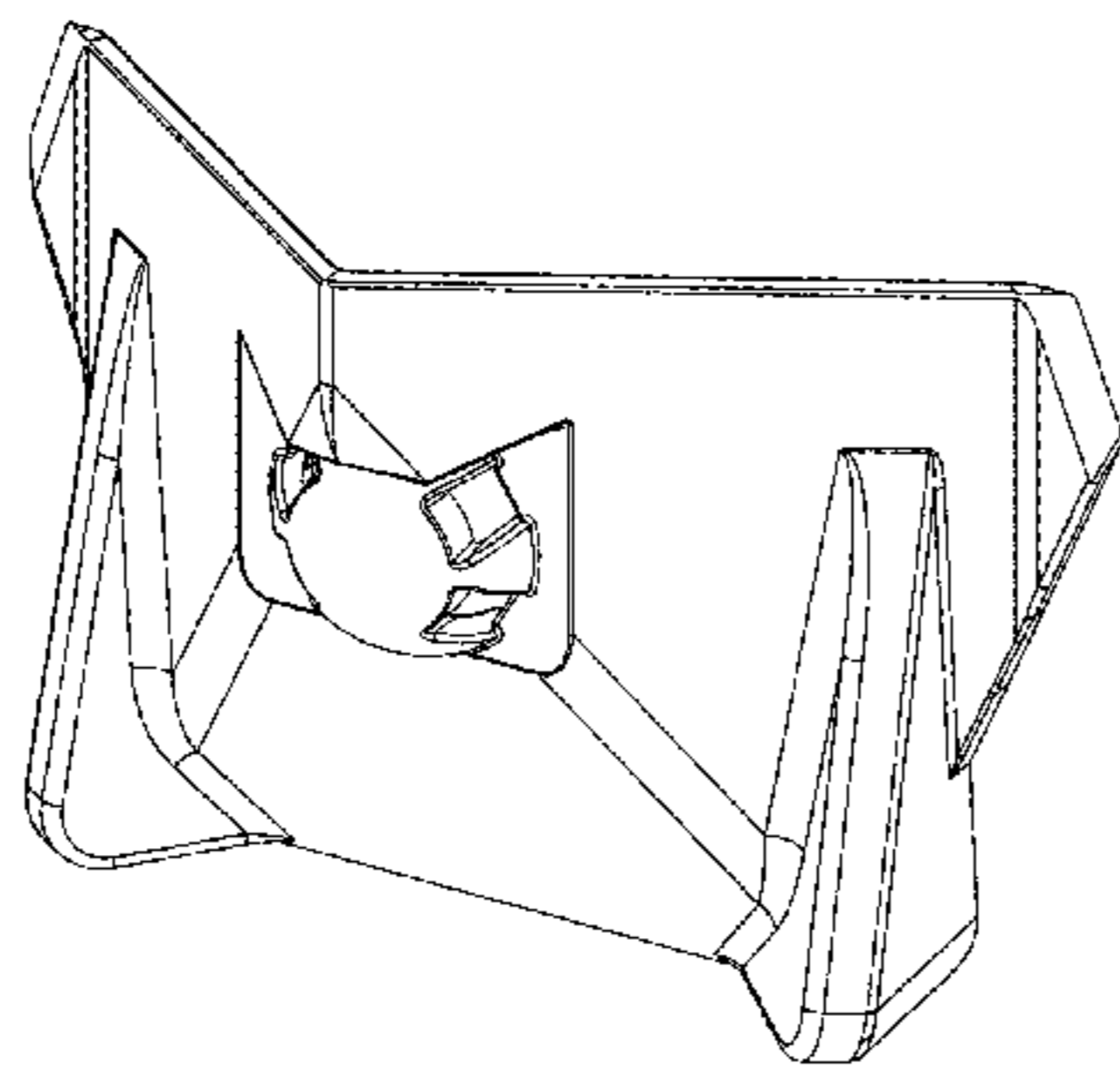
FIG. 10 is a front elevation view of the design variant of drywall corner finisher.

FIG. 11 is a rear elevation view of the design variant of drywall corner finisher; and,

FIG. 12 is a bottom plan view of the design variant of drywall corner finisher.

The broken lines depict portions of the drywall corner finisher that form no part of the claimed designed.

1 Claim, 8 Drawing Sheets



US D848,805 S

Page 2

(58) **Field of Classification Search**

CPC 17/00503; B05C 17/00516; B05C 17/10;
B24D 15/02

See application file for complete search history.

(56) **References Cited**

U.S. PATENT DOCUMENTS

4,767,297 A * 8/1988 Mower E04F 21/06
15/235.7
5,010,618 A * 4/1991 Croft B05C 17/10
15/235.7
5,240,394 A * 8/1993 James E04F 21/06
15/235.7
5,263,836 A * 11/1993 Tinawong E04F 21/00
15/235.7
5,562,357 A 10/1996 Sandell
6,113,301 A 9/2000 Burton
6,155,809 A * 12/2000 Edwards B05C 17/00503
15/235.7

6,247,868 B1 6/2001 Burton
7,182,587 B1 * 2/2007 Raney E04F 21/1655
15/235.7
D771,455 S * 11/2016 Ovens D8/45
D773,912 S * 12/2016 Gringer D8/45
D790,297 S * 6/2017 Puusaag D8/45
2005/0003682 A1 1/2005 Brazas
2005/0005386 A1 * 1/2005 MacMillan E04F 21/00
15/245.1
2005/0106278 A1 * 5/2005 Hall B05C 17/00516
425/87
2007/0206985 A1 * 9/2007 Daigle B05C 17/00516
401/9
2009/0041536 A1 * 2/2009 Cole E04F 21/00
403/122
2009/0047882 A1 * 2/2009 Collins B24D 15/02
451/524
2016/0116828 A1 4/2016 Clearman
2016/0221026 A1 * 8/2016 Despins A47G 27/0487
2016/0341243 A1 11/2016 Ingrassia
2018/0187427 A1 * 7/2018 Dombrowski E04F 21/1655

* cited by examiner

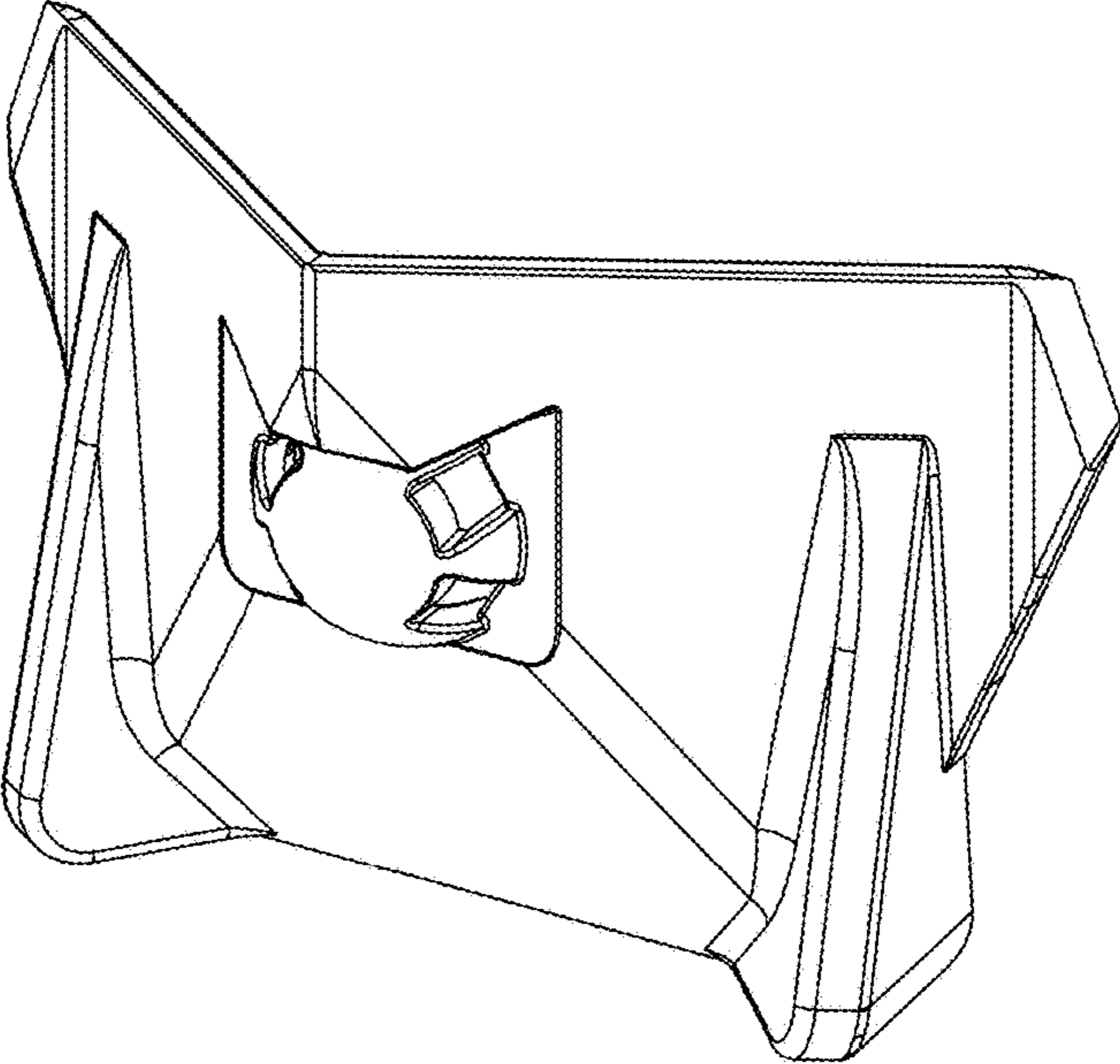


FIG. 1

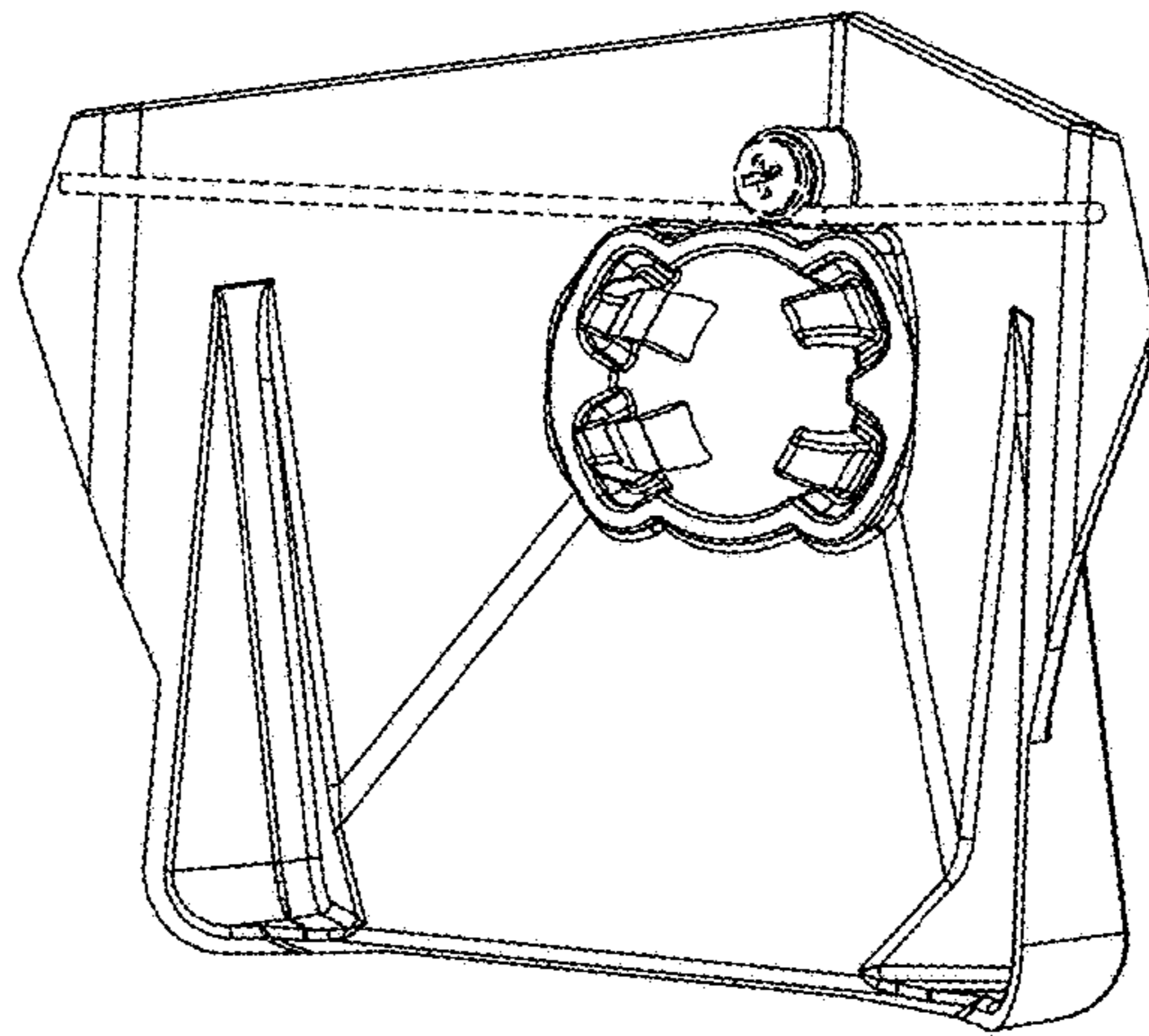


FIG. 2

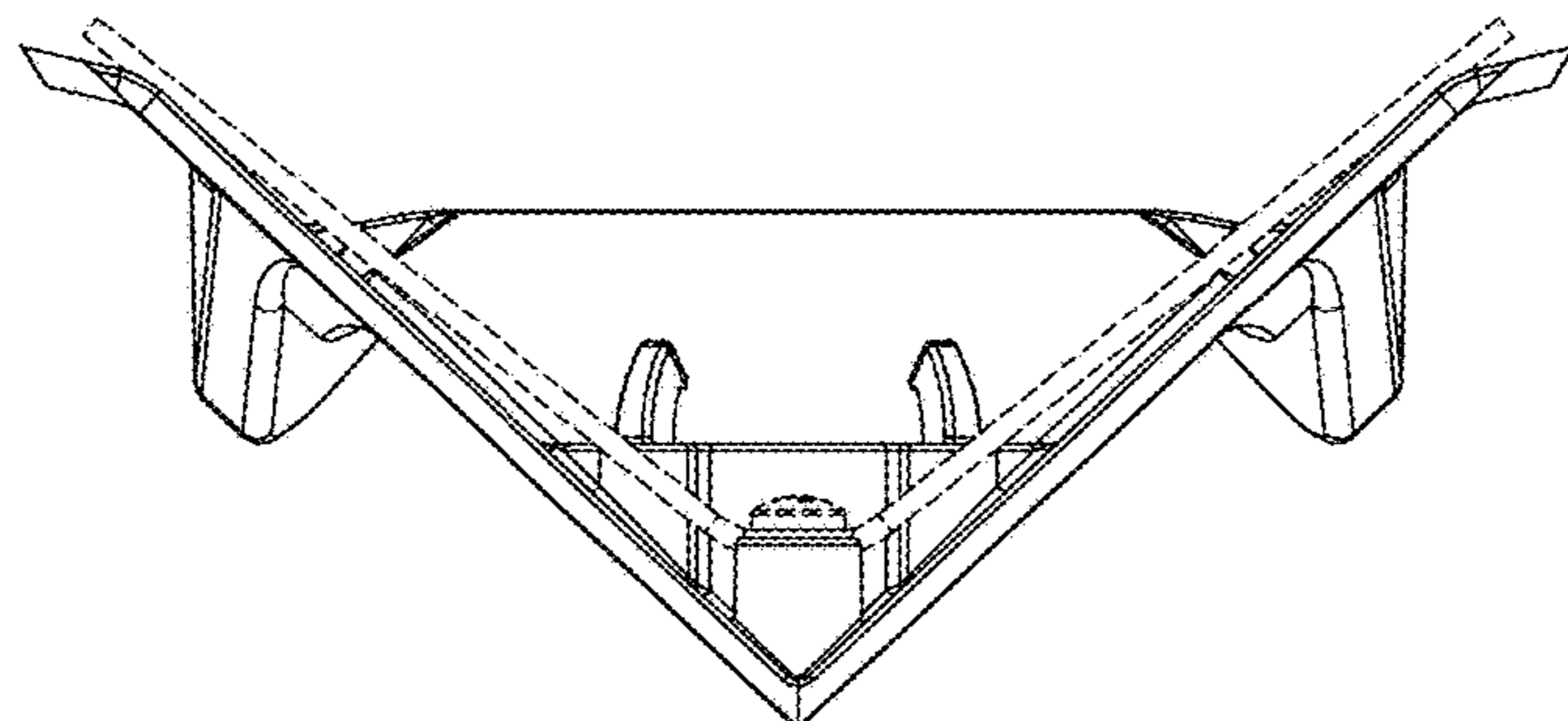


FIG. 3

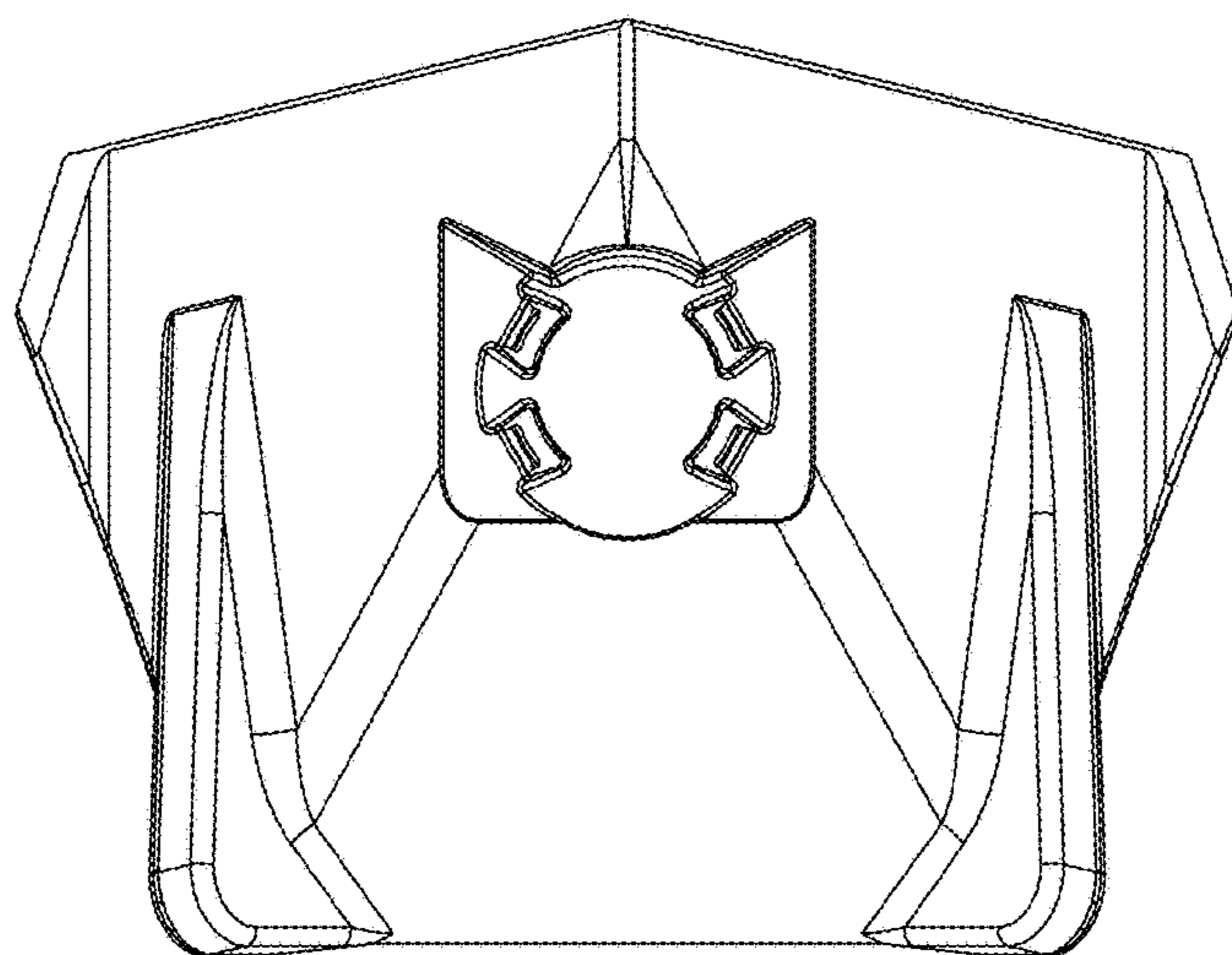


FIG. 4

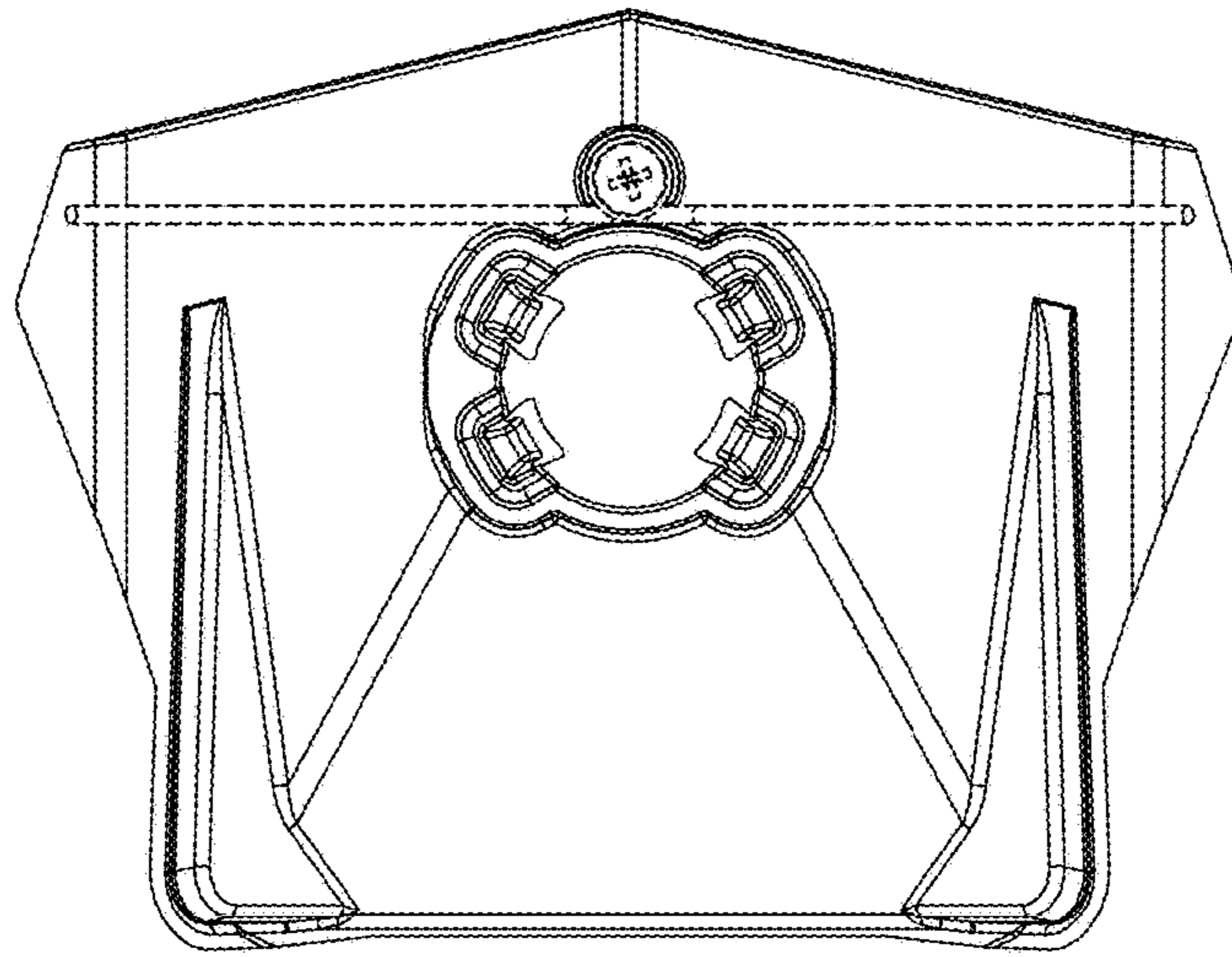


FIG. 5

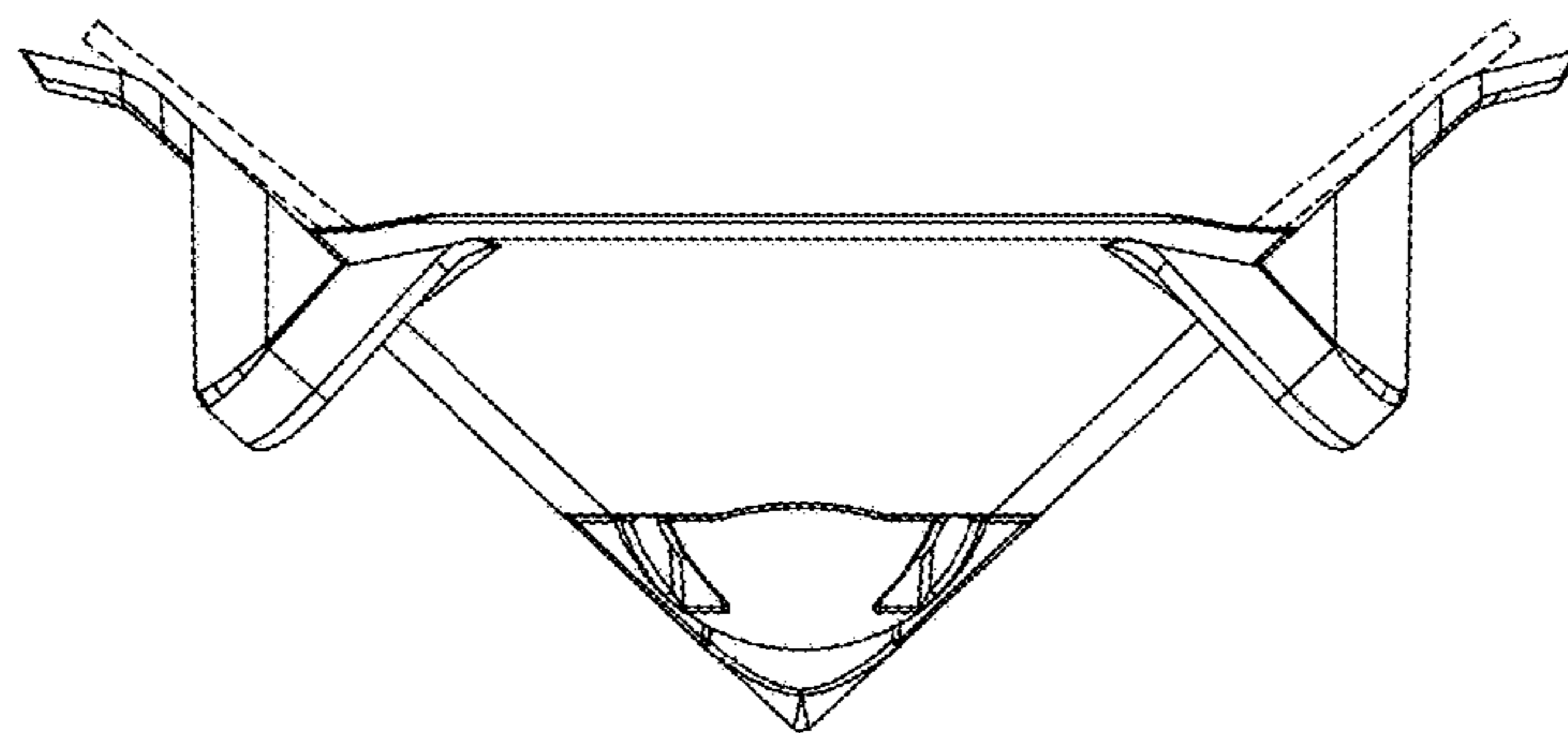


FIG. 6

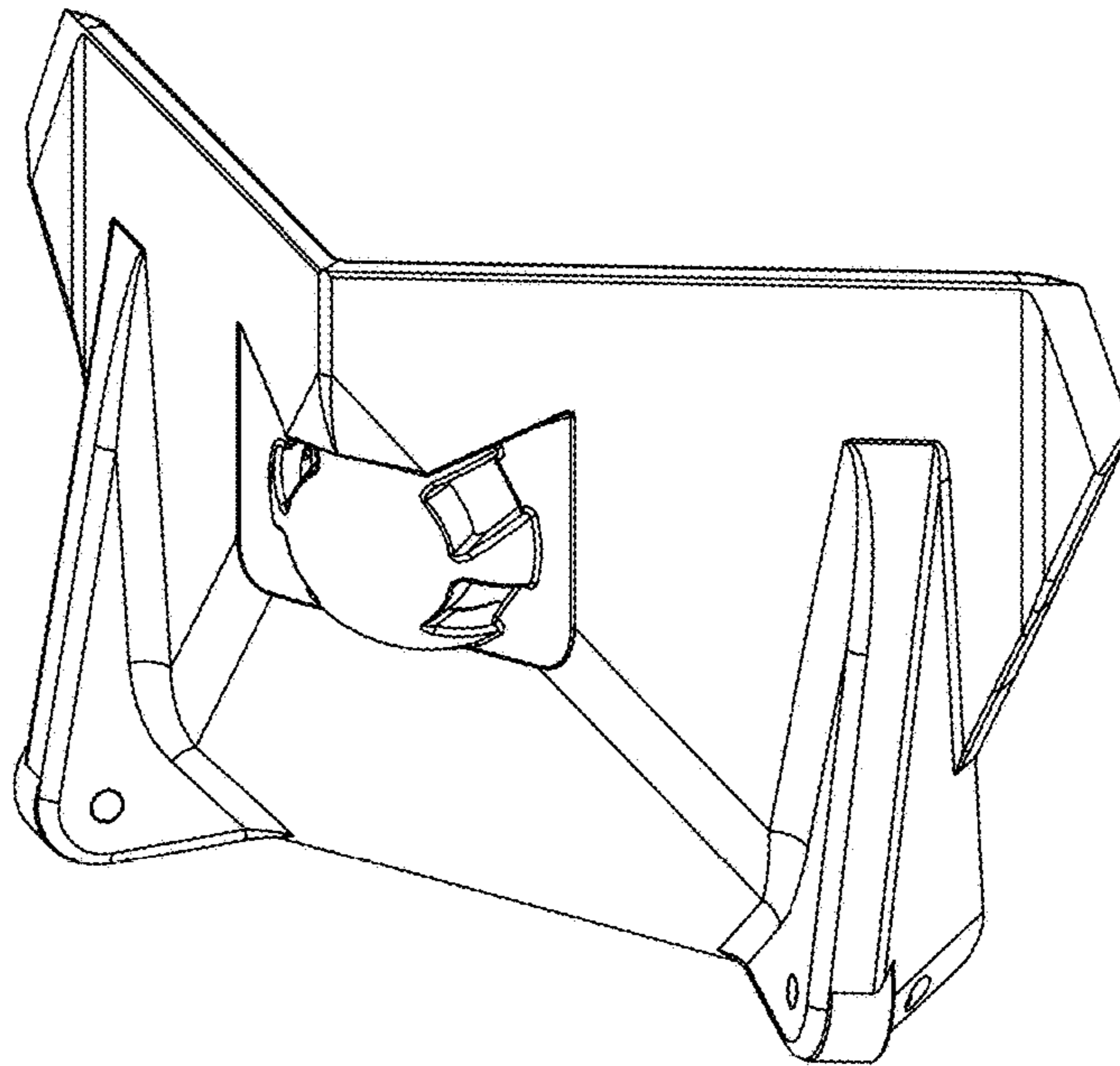


FIG. 7

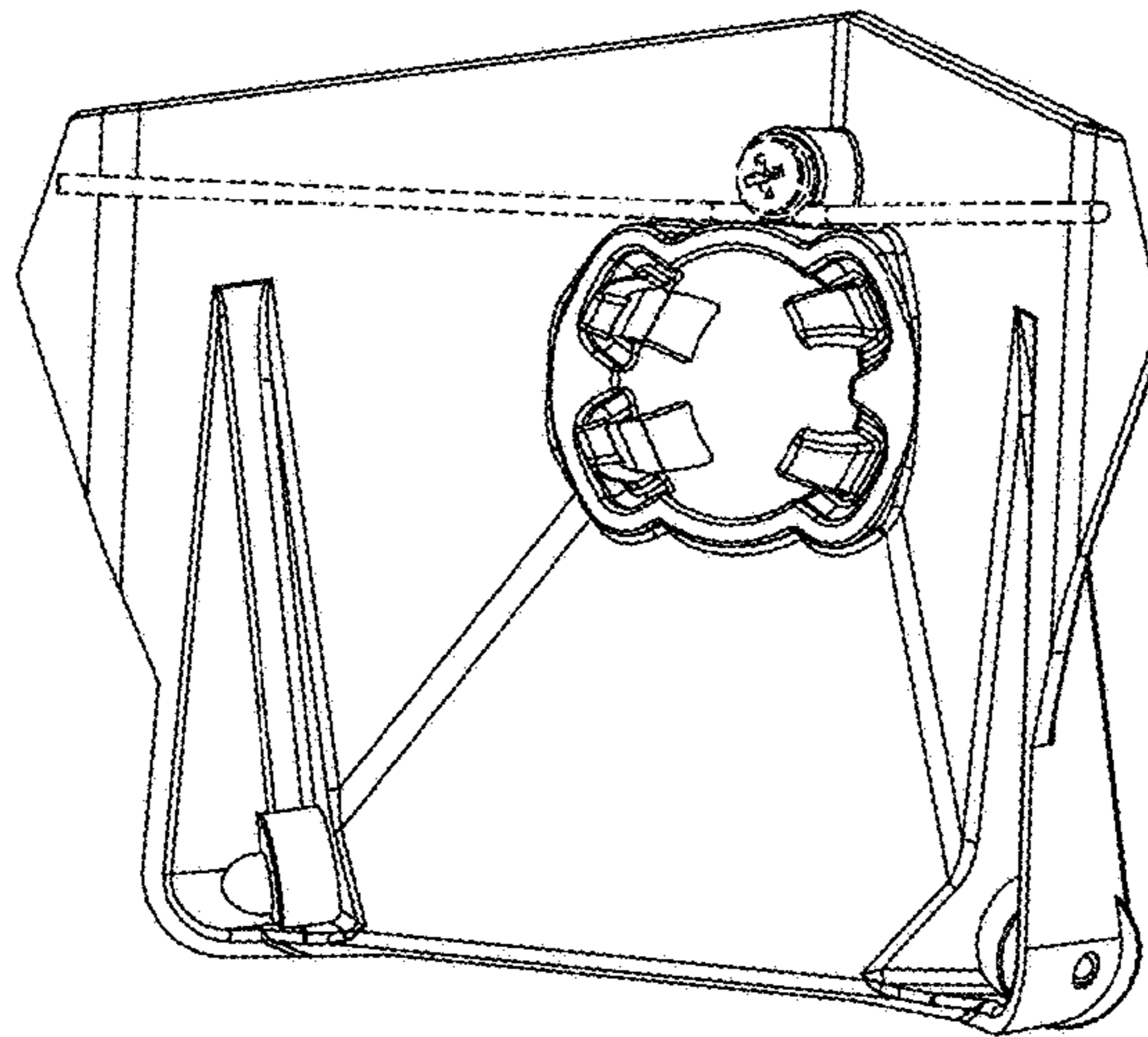


FIG. 8

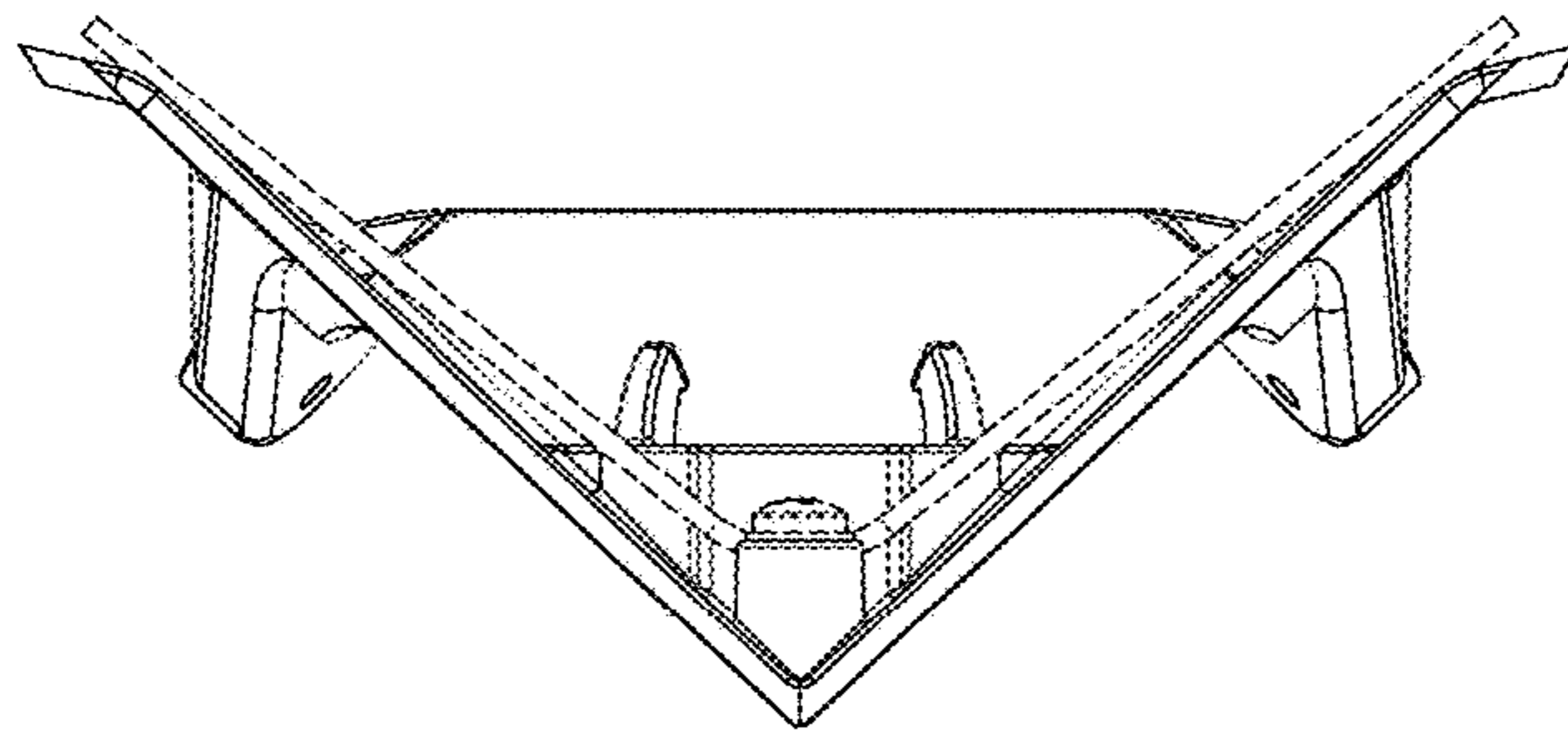


FIG. 9

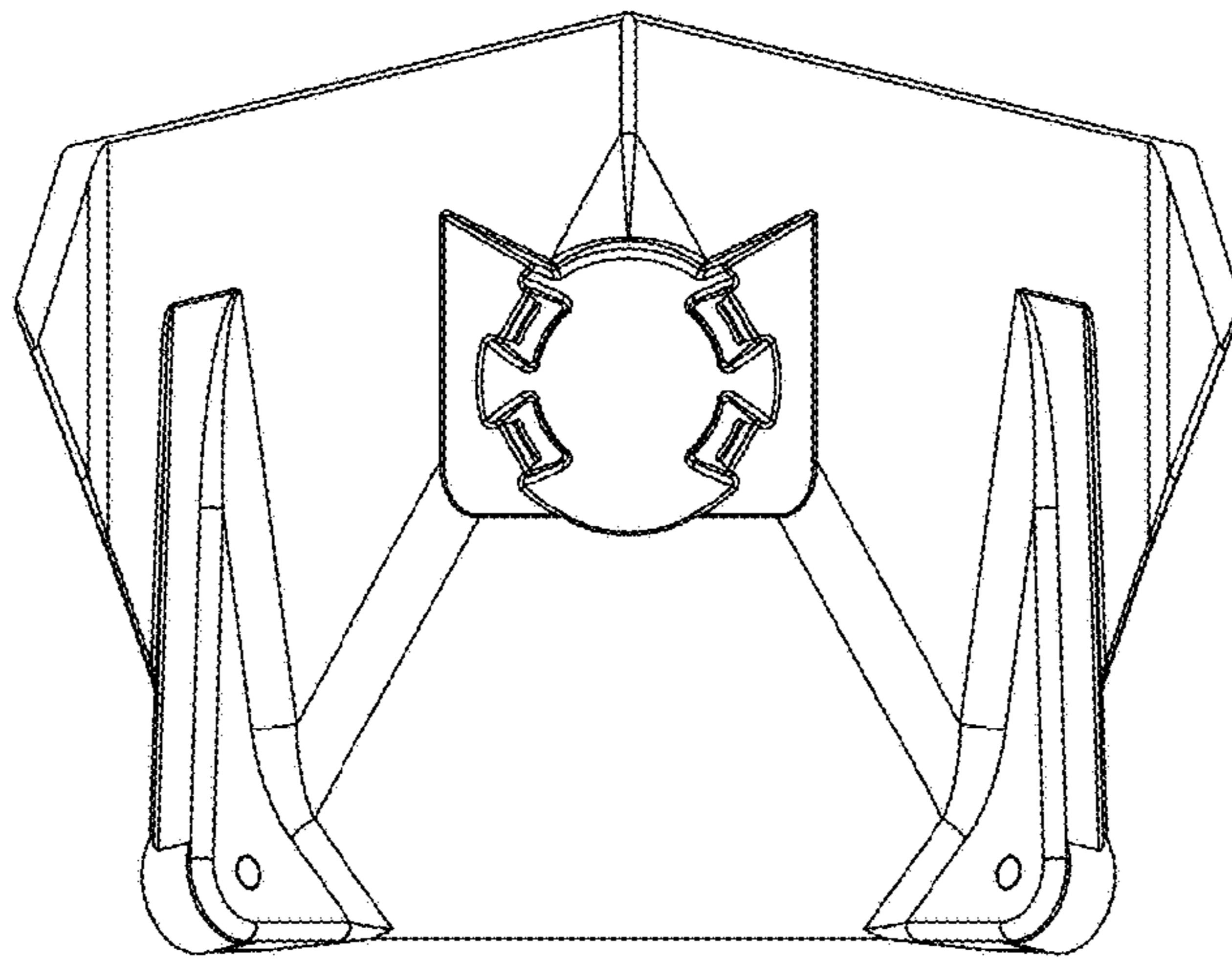


FIG. 10

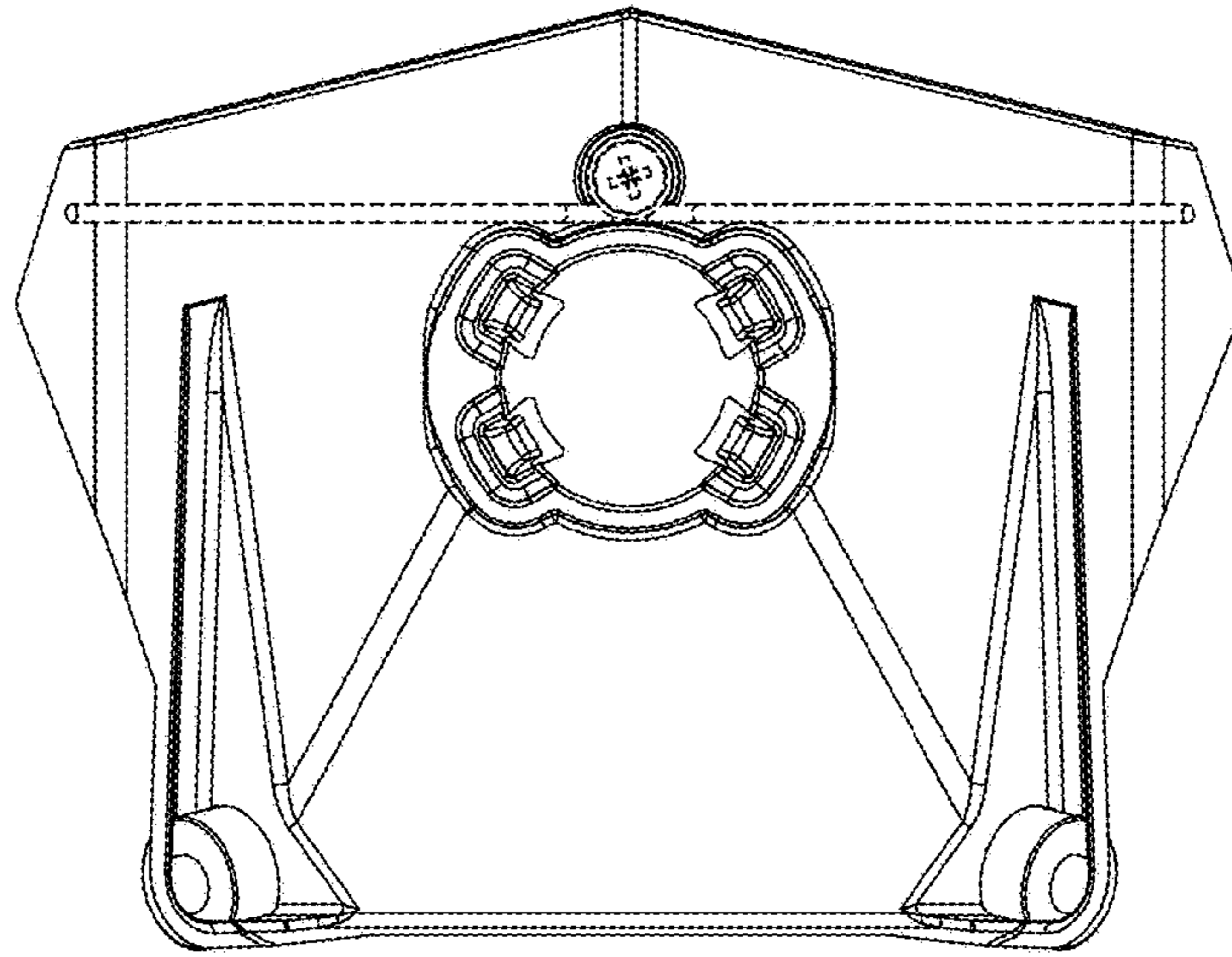


FIG. 11

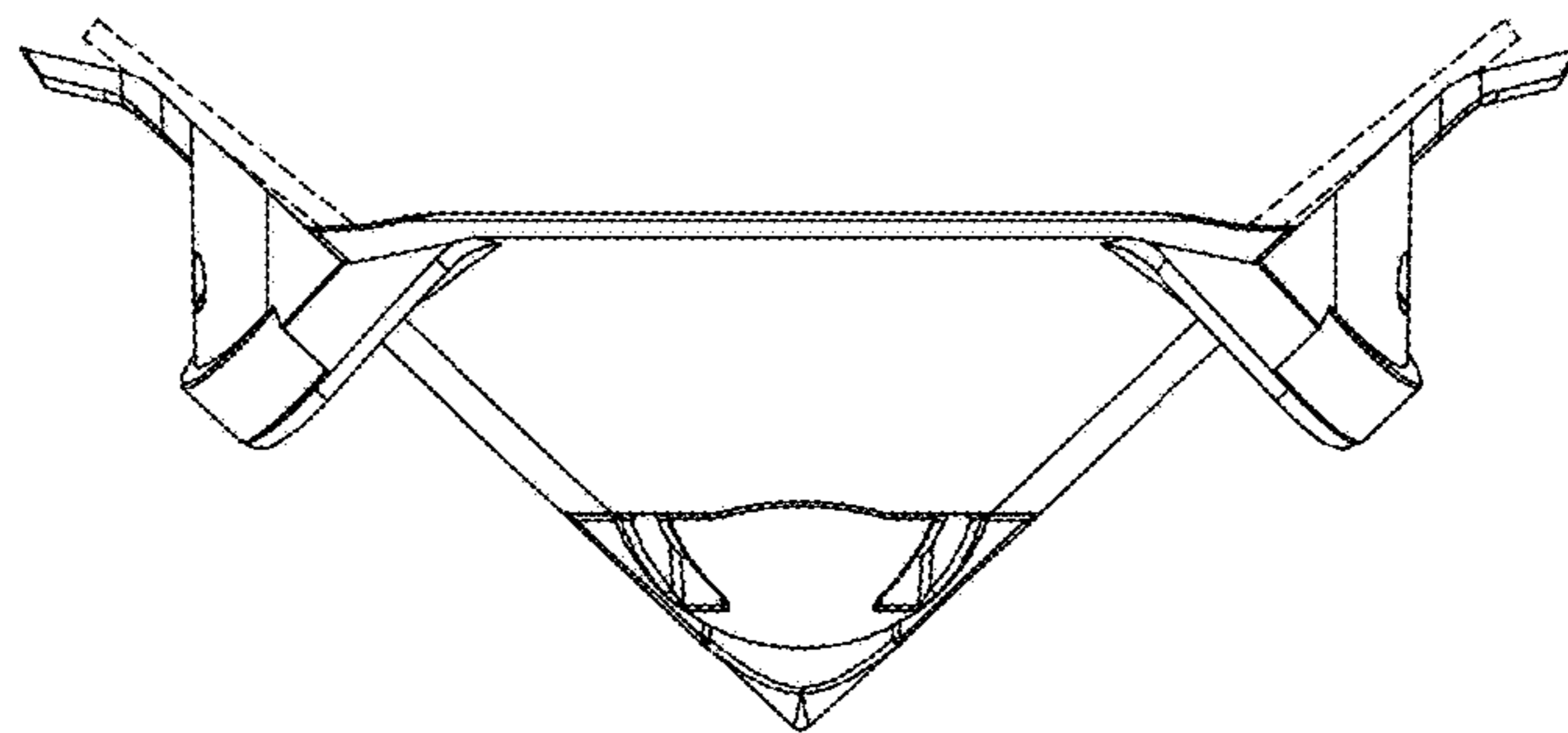


FIG. 12