



US00D848804S

(12) **United States Design Patent**
Averill

(10) **Patent No.:** **US D848,804 S**

(45) **Date of Patent:** **** May 21, 2019**

- (54) **CORKSCREW HANDLE**
- (71) Applicant: **Walter J. Averill**, Windsor, CA (US)
- (72) Inventor: **Walter J. Averill**, Windsor, CA (US)
- (**) Term: **15 Years**
- (21) Appl. No.: **29/633,846**
- (22) Filed: **Jan. 16, 2018**
- (51) **LOC (11) Cl.** **07-06**
- (52) **U.S. Cl.**
USPC **D8/43**
- (58) **Field of Classification Search**
USPC D8/18, 33-43, 105, 107, 356, 367, 49,
D8/50, DIG. 7, 83; D7/649, 650
CPC B67B 7/00; B67B 7/0423; B67B 7/12; B67B
7/16; B67B 7/18; B67B 7/32; B67B 7/34;
B67B 7/44
See application file for complete search history.

- D576,003 S * 9/2008 Patrizio B67B 7/0429
D8/40
- D579,301 S * 10/2008 Jones D8/105
- D646,544 S * 10/2011 Molina D8/83
- 8,499,390 B2 * 8/2013 Danias-Borkin B25F 1/04
7/155
- D691,008 S * 10/2013 Watson D8/34
- D728,335 S * 5/2015 Watson D8/42
- 9,659,554 B1 * 5/2017 Determan G10K 5/00
- 2002/0157188 A1 * 10/2002 Sannajust B67B 7/0423
7/156
- 2009/0301261 A1 * 12/2009 Cellini B67B 7/04
81/3.45
- 2011/0283840 A1 * 11/2011 Brucart-Puig B26B 1/08
81/3.09
- 2017/0283230 A1 * 10/2017 Lamarra B67B 7/0423

* cited by examiner

Primary Examiner — Elizabeth A. Albert
(74) *Attorney, Agent, or Firm* — Craig M. Stainbrook;
Stainbrook & Stainbrook, LLP

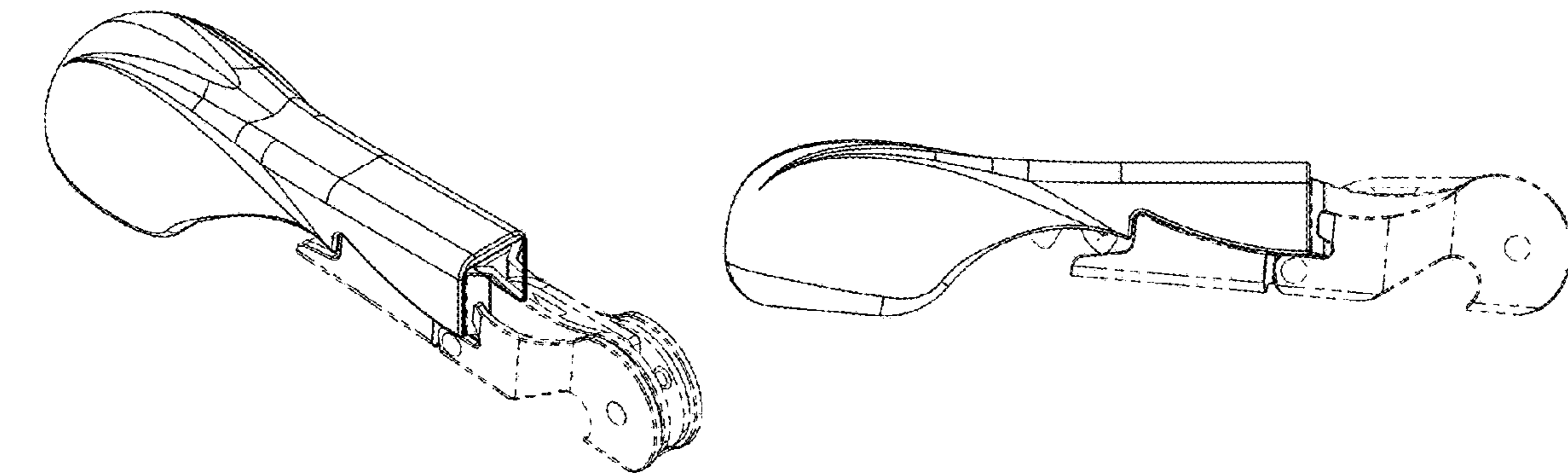
(57) **CLAIM**

The ornamental design for a corkscrew handle, as shown and described.

DESCRIPTION

FIG. 1 is an upper left front perspective view;
FIG. 2 is a lower right perspective view;
FIG. 3 is a right side elevational view;
FIG. 4 is a front end view in elevation;
FIG. 5 is a rear end view in elevation;
FIG. 6 is a bottom view;
FIG. 7 is a left side view in elevation; and,
FIG. 8 is a top view.
The broken lines shown in the drawings are included for purposes of illustrating environmental structures only and form no part of the claimed design.

1 Claim, 3 Drawing Sheets



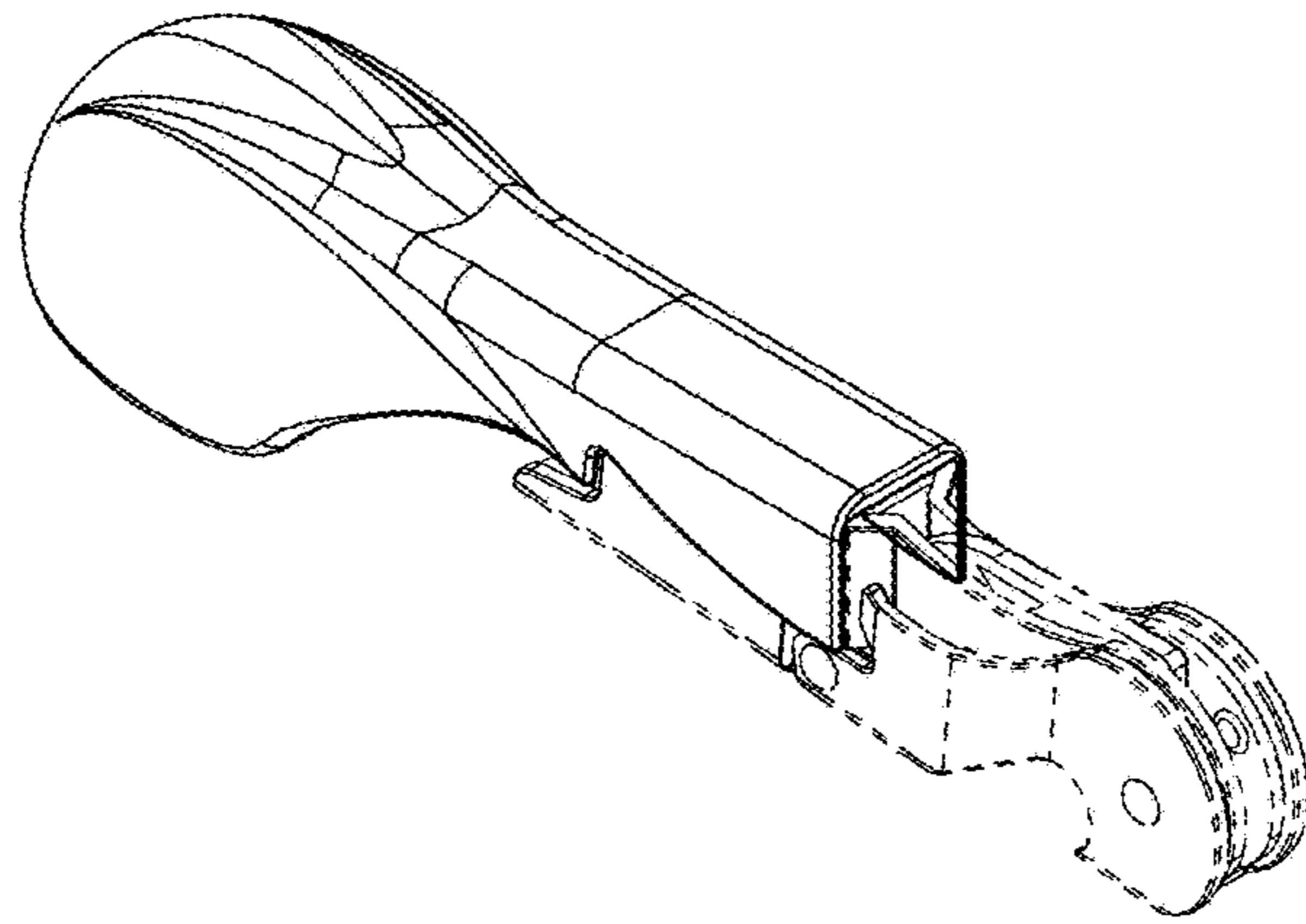


FIG. 1

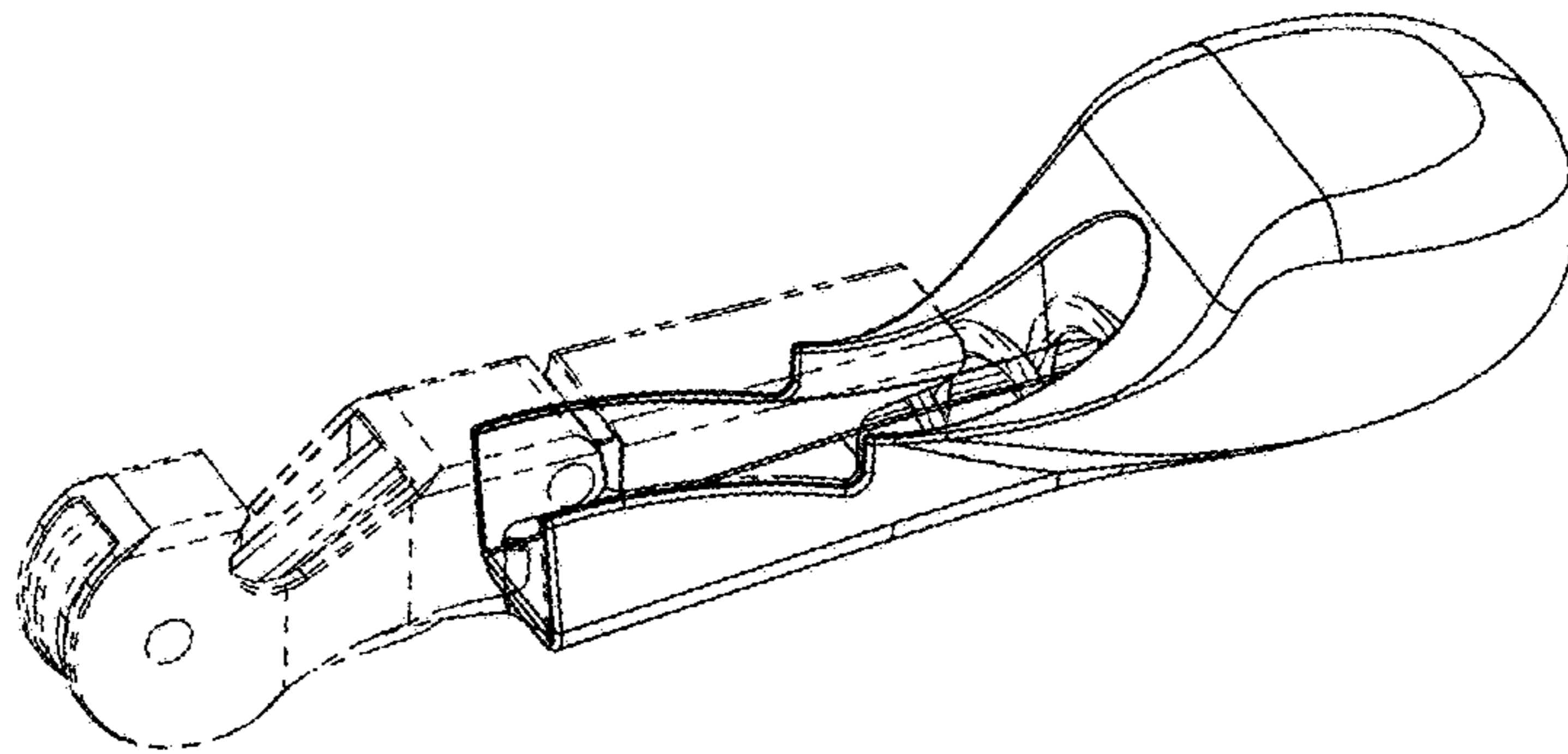


FIG. 2

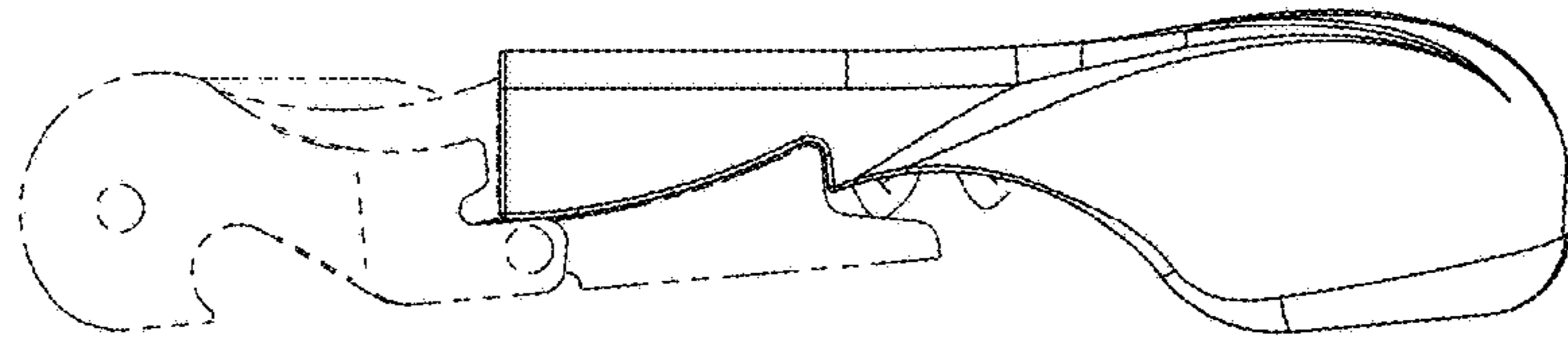


FIG. 3

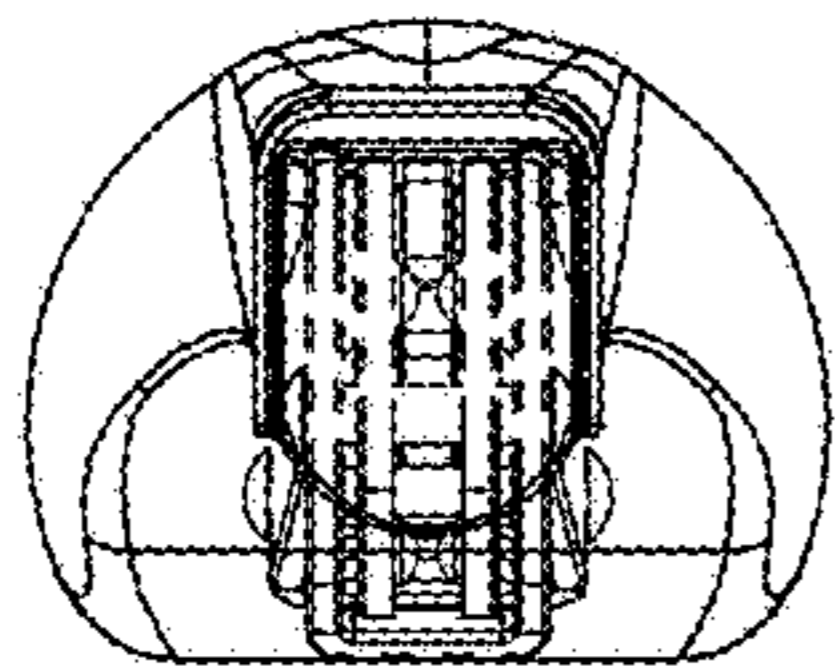


FIG. 4

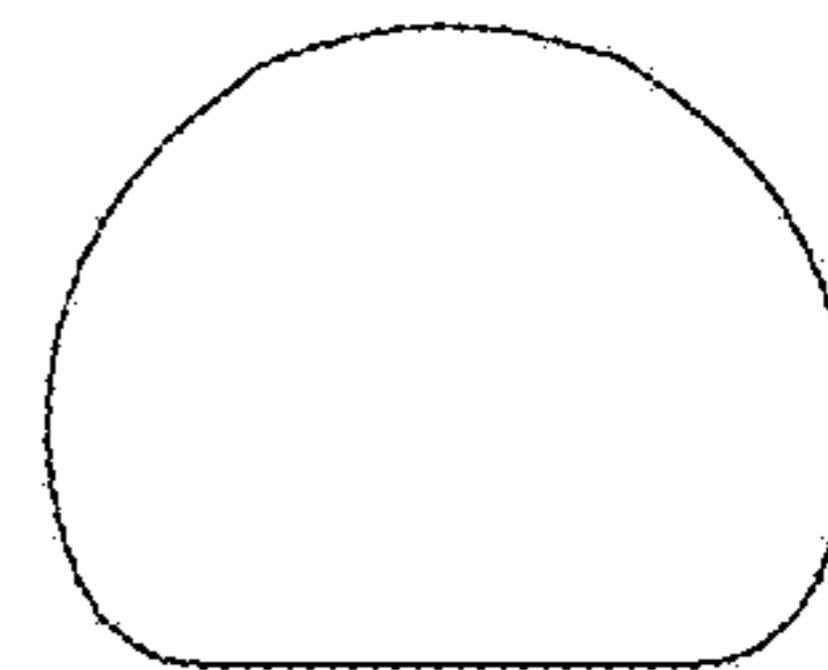


FIG. 5

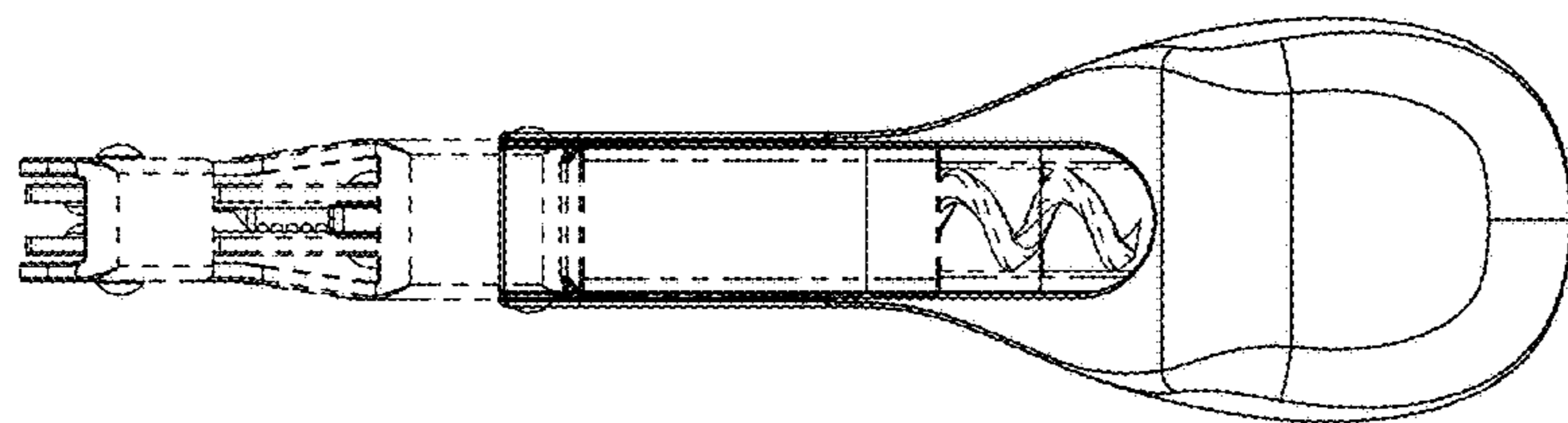


FIG. 6

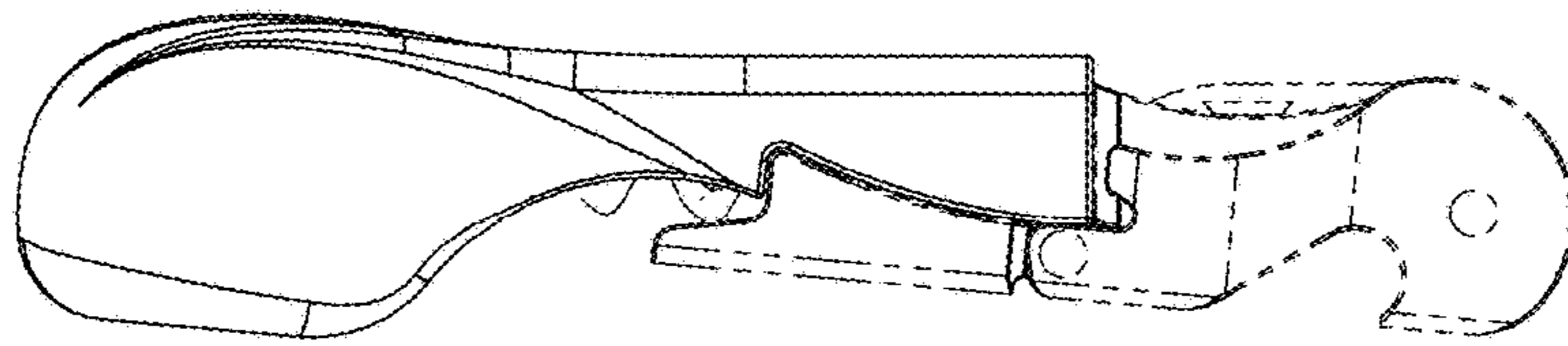


FIG. 7

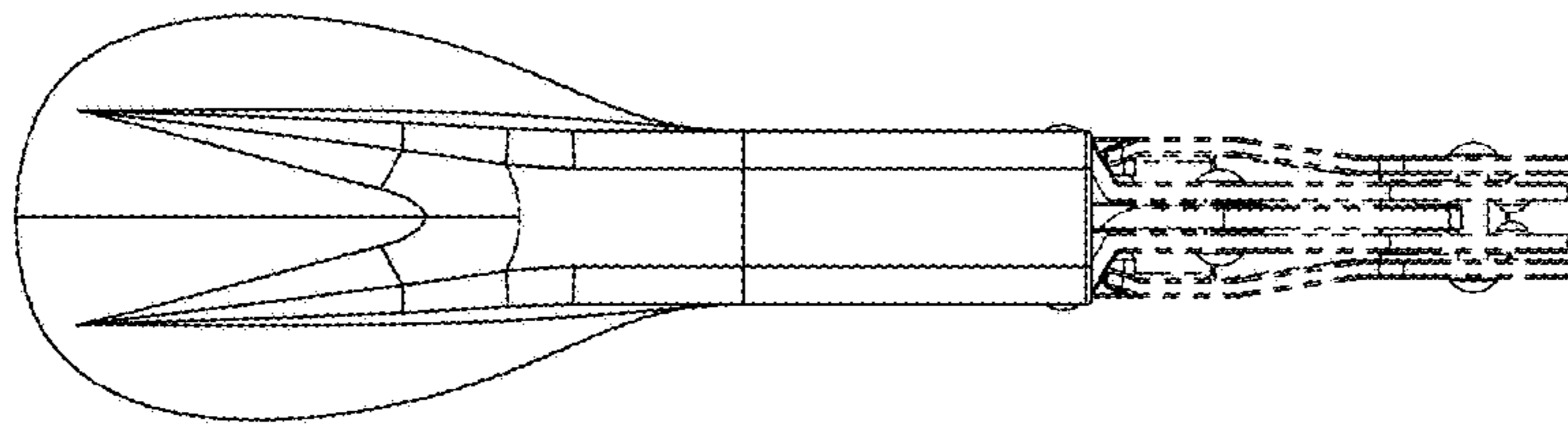


FIG. 8