



US00D848803S

(12) **United States Design Patent** (10) **Patent No.:** **US D848,803 S**
Tsai (45) **Date of Patent:** **** May 21, 2019**

(54) **GAS COMBUSTOR**
(71) Applicant: **Chin-Lin Tsai**, New Taipei (TW)
(72) Inventor: **Chin-Lin Tsai**, New Taipei (TW)
(**) Term: **15 Years**
(21) Appl. No.: **29/608,928**
(22) Filed: **Jun. 27, 2017**
(30) **Foreign Application Priority Data**
Dec. 29, 2016 (TW) 105308024
(51) **LOC (11) Cl.** **08-05**
(52) **U.S. Cl.**
USPC **D8/30**
(58) **Field of Classification Search**
USPC D3/263, 281, 905; D8/5, 14, 29.1, 29.23,
D8/41, 52, 60, 70.1, 68, 107, 303, 336,
D8/499, 51; D12/100, 129, 130;
D22/100, 101, 102, 103, 104, 105, 108,
D22/115, 116, 199; D24/144
CPC B23K 3/021; B23K 3/023; B23K 3/033;
B23K 3/0346
See application file for complete search history.

(56) **References Cited**
U.S. PATENT DOCUMENTS
D300,200 S * 3/1989 Arehart D8/30
D300,297 S * 3/1989 Arehart D8/30
D310,470 S * 9/1990 Tohdoh D8/62
D315,853 S * 4/1991 Zaborowski D8/30
D317,704 S * 6/1991 Zaborowski D8/30
D330,998 S * 11/1992 Watmore D8/30
D440,991 S * 4/2001 Fujiwara D15/144.2
D442,447 S * 5/2001 Fujiwara D8/30
D467,145 S * 12/2002 Ehrlich D8/61
D476,542 S * 7/2003 Chunn D8/61
D516,884 S * 3/2006 Axinte D8/30

D522,328 S * 6/2006 Miyazaki D8/30
D533,416 S * 12/2006 Axinte D8/30
D553,925 S * 10/2007 Axinte D8/30
D559,055 S * 1/2008 Axinte D8/30
D660,669 S * 5/2012 Teraoka D8/30
D665,626 S * 8/2012 Luo D7/416
D740,630 S * 10/2015 Hasenmayer D8/30
D741,127 S * 10/2015 Hasenmayer D8/30
D741,128 S * 10/2015 Hasenmayer D8/30
D743,766 S * 11/2015 Tsai D8/30
D755,866 S * 5/2016 Spraw D15/138
D793,827 S * 8/2017 Huang D8/29.1
D801,431 S * 10/2017 Kao D19/177
D810,532 S * 2/2018 Tsai D8/30
D813,628 S * 3/2018 Tsai D8/30
D813,629 S * 3/2018 Tsai D8/30
D817,394 S * 5/2018 Seferi D19/66
D820,057 S * 6/2018 Tsai D8/30
2018/0111213 A1 * 4/2018 Mantes B23K 3/0323

* cited by examiner

Primary Examiner — Garth Rademaker
Assistant Examiner — Fitzgerald L Butac
(74) *Attorney, Agent, or Firm* — Guice Patents PLLC

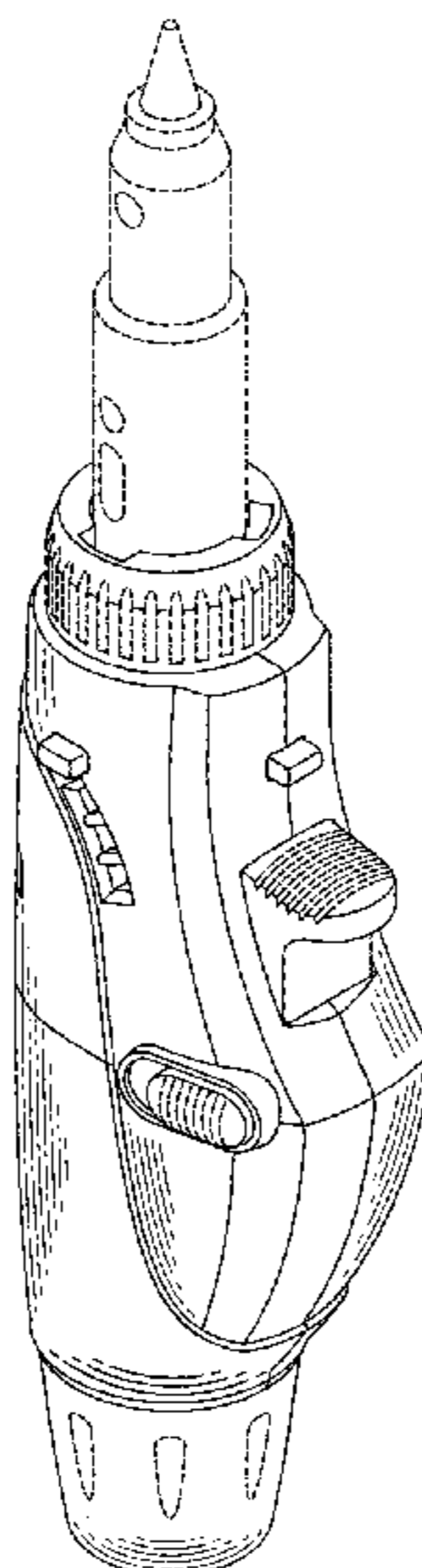
(57) **CLAIM**

The ornamental design for gas combustor, as shown and described.

DESCRIPTION

FIG. 1 is a perspective view of gas combustor showing the design;
FIG. 2 is a front side view thereof;
FIG. 3 is a rear side view thereof;
FIG. 4 is a left side view thereof;
FIG. 5 is a right side view thereof;
FIG. 6 is a top plan view thereof; and,
FIG. 7 is a bottom plan view thereof.
The broken lines show portions of a gas combustor that form no part of the claimed design.

1 Claim, 5 Drawing Sheets



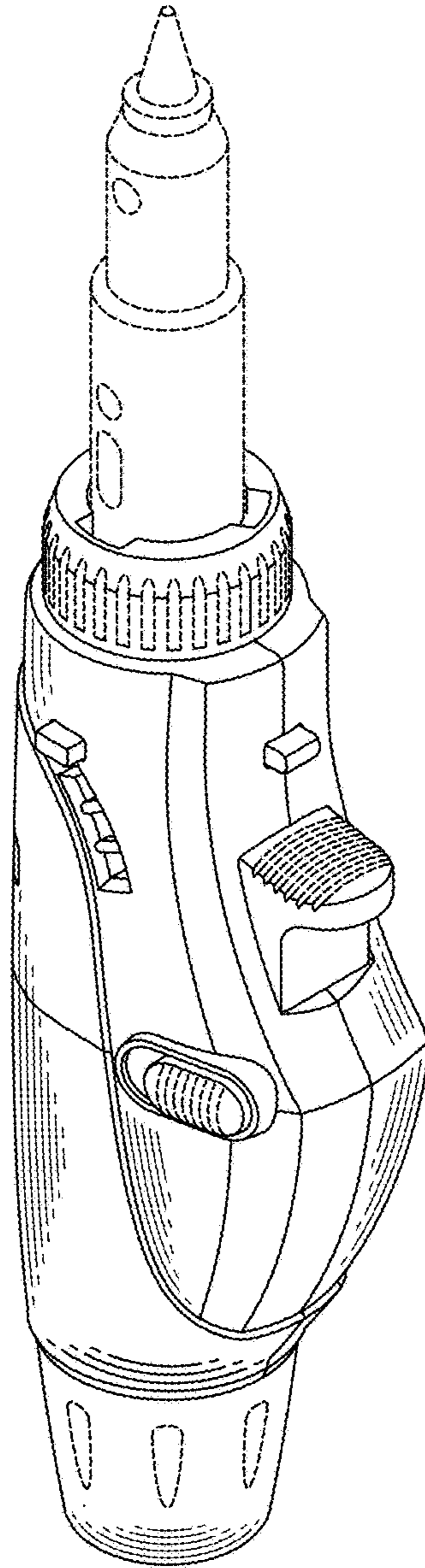


FIG. 1

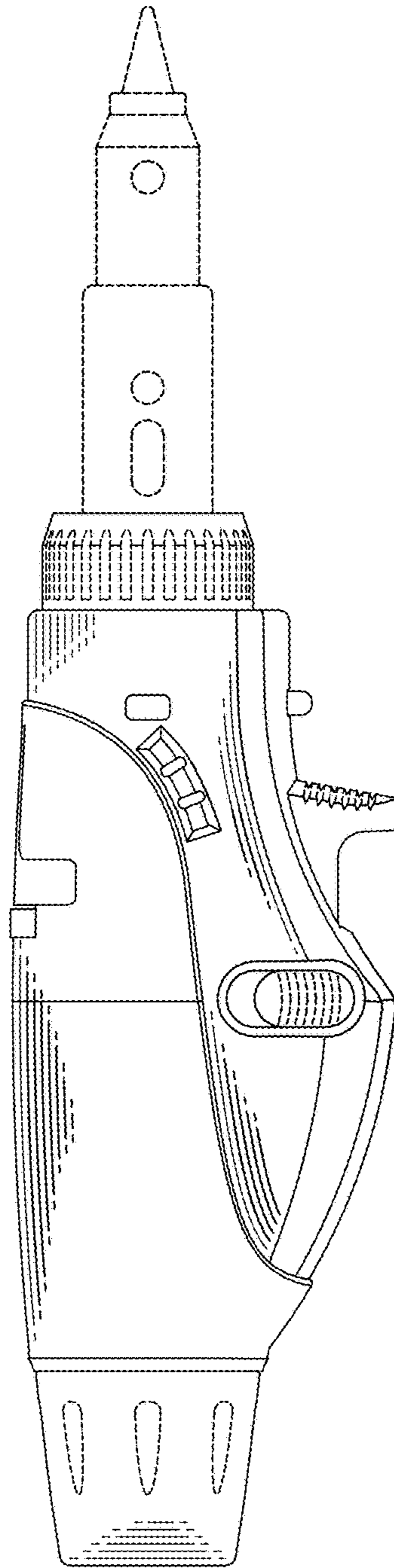


FIG. 2

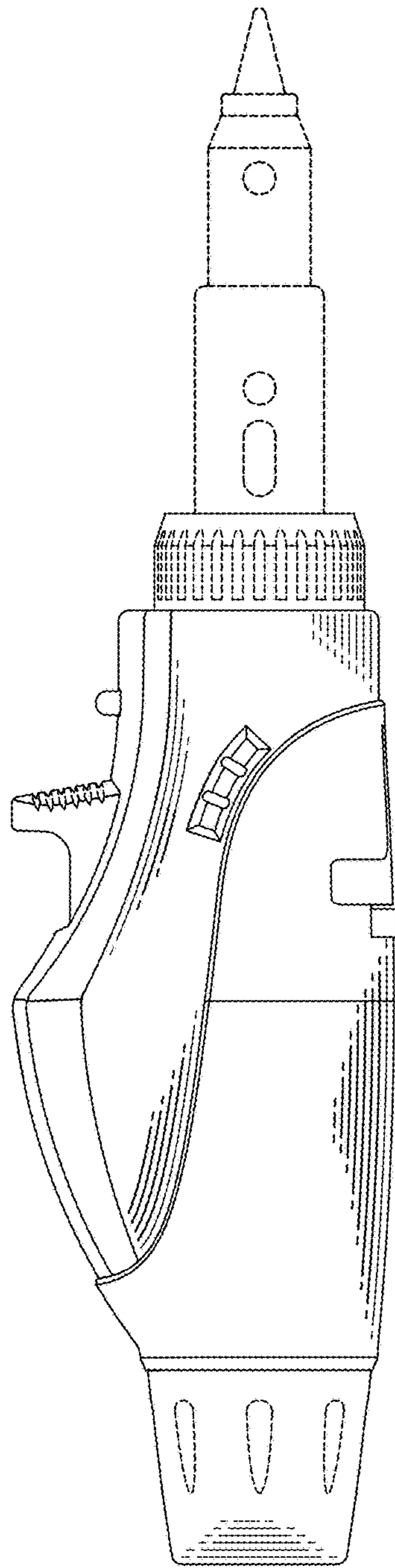


FIG. 3

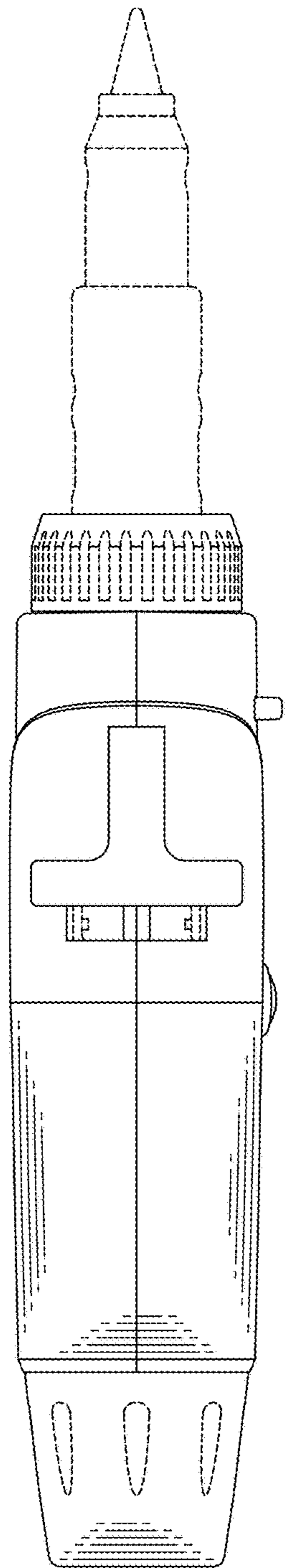


FIG. 4

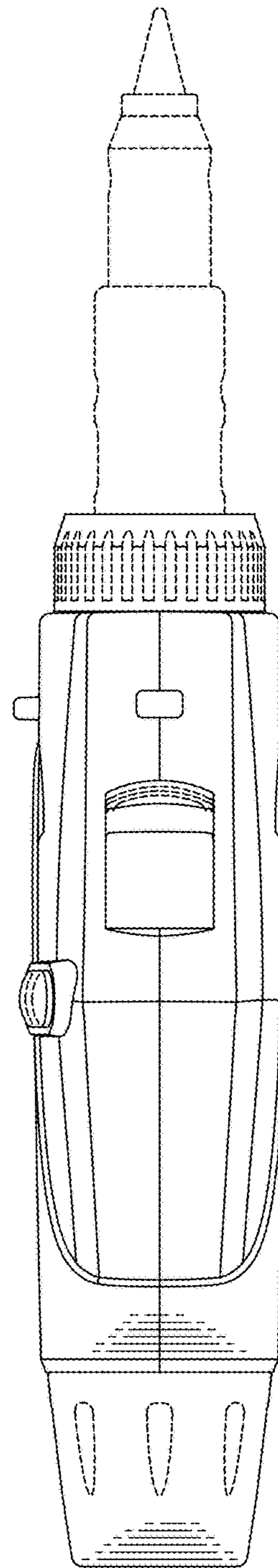


FIG. 5

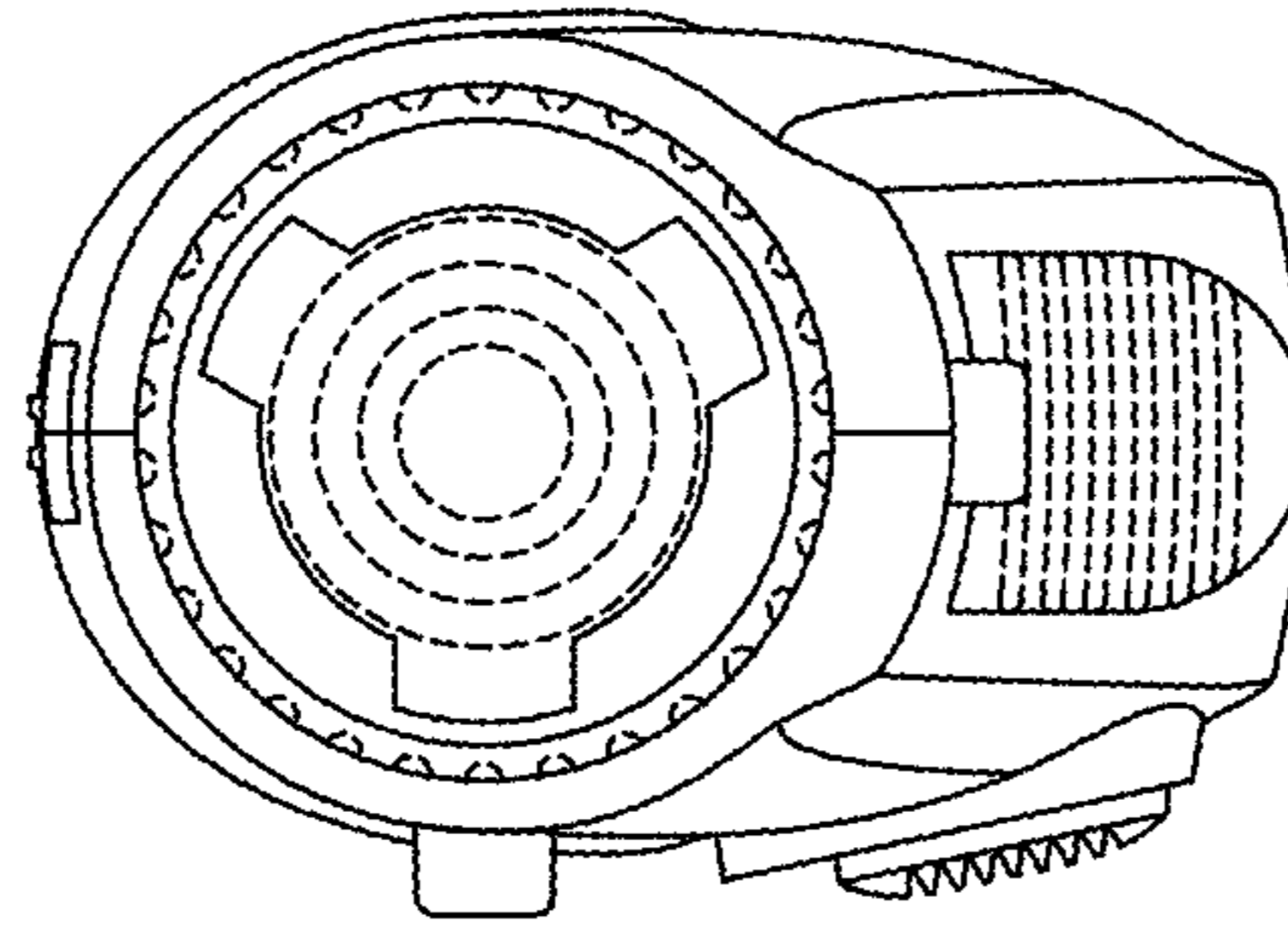


FIG. 6

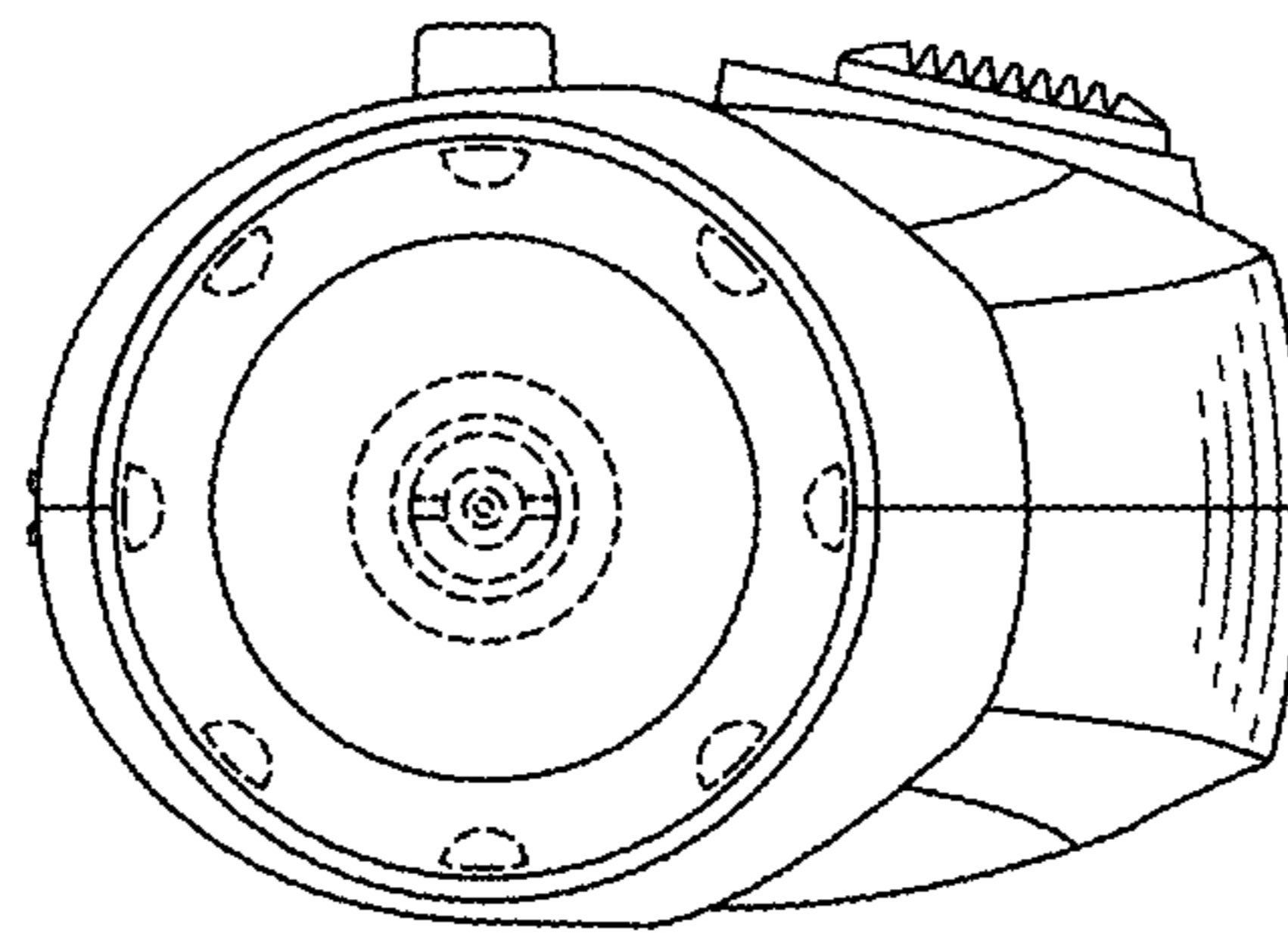


FIG. 7