



US00D848802S

(12) **United States Design Patent**  
**Kasza**

(10) **Patent No.:** **US D848,802 S**

(45) **Date of Patent:** **\*\* May 21, 2019**

- (54) **BOTTLE RACK**
- (71) Applicant: **STACT Wine Displays Inc., Vancouver (CA)**
- (72) Inventor: **Jamie Dennis Kasza, Vancouver (CA)**
- (73) Assignee: **STACT Wine Displays Inc., Vancouver (CA)**
- (\*\*) Term: **15 Years**
- (21) Appl. No.: **29/609,604**
- (22) Filed: **Jul. 3, 2017**

2,051,408 A	8/1936	Karst	
2,070,507 A	2/1937	Bishop	
2,100,421 A	11/1937	Wupper	
2,179,089 A	11/1939	Hauf	
2,227,326 A	12/1940	Shaw	
2,317,070 A	4/1943	Le Tourneau	
2,366,676 A	1/1945	Rosenthal	
2,527,796 A	10/1950	Clute	
2,531,020 A	11/1950	Bard	
2,562,327 A	7/1951	Moore	
2,575,965 A	11/1951	Malm	
2,774,477 A	12/1956	Pollitz	
2,815,972 A	12/1957	Lagervall	
2,879,900 A	3/1959	Fox	
2,889,050 A	6/1959	Modrey	
D190,704 S	6/1961	Cobbs	
3,181,701 A	5/1965	Manny	
3,186,558 A	6/1965	Horstmann	
3,200,960 A	8/1965	Banse	
3,204,867 A	9/1965	Wahlbom	
3,244,390 A	4/1966	Kerr	
3,252,678 A	5/1966	Myers et al.	
3,255,987 A	6/1966	Gatch	
3,272,468 A	9/1966	Wittrock	
3,279,620 A	10/1966	Nesbitt	
3,336,758 A	8/1967	Williams	
3,377,807 A	4/1968	Vincent	
D211,635 S *	7/1968	Holm	D6/552
3,422,721 A	1/1969	Yonkers	
3,469,869 A	9/1969	Ramakers	
3,519,292 A	7/1970	Krikorian	
3,541,798 A	11/1970	Schnabel, Jr.	
3,606,023 A	9/1971	Edmunds	
3,638,814 A	2/1972	Lowery	
3,653,697 A	4/1972	Ernst	
D226,051 S	1/1973	Fujinami	
3,731,956 A	5/1973	Hanley	
3,740,692 A	6/1973	Filhaber	
3,747,965 A	7/1973	Wing	
3,753,354 A	8/1973	Bauer	
3,799,357 A	3/1974	Govang	
D232,284 S	8/1974	Shuck	
3,836,007 A	9/1974	Rosenwein	
3,897,724 A	8/1975	McDonald	
D236,565 S *	9/1975	Fuller	D6/682.6
3,924,750 A	12/1975	Dunchock	
D238,735 S *	2/1976	Trieschmann	D6/552
3,938,667 A	2/1976	Buckland	
D243,804 S	3/1977	Underwood et al.	
4,019,638 A	4/1977	Miller	
4,022,327 A	5/1977	Anderson	
4,063,836 A	12/1977	Militano	
4,082,389 A	4/1978	Stewart	

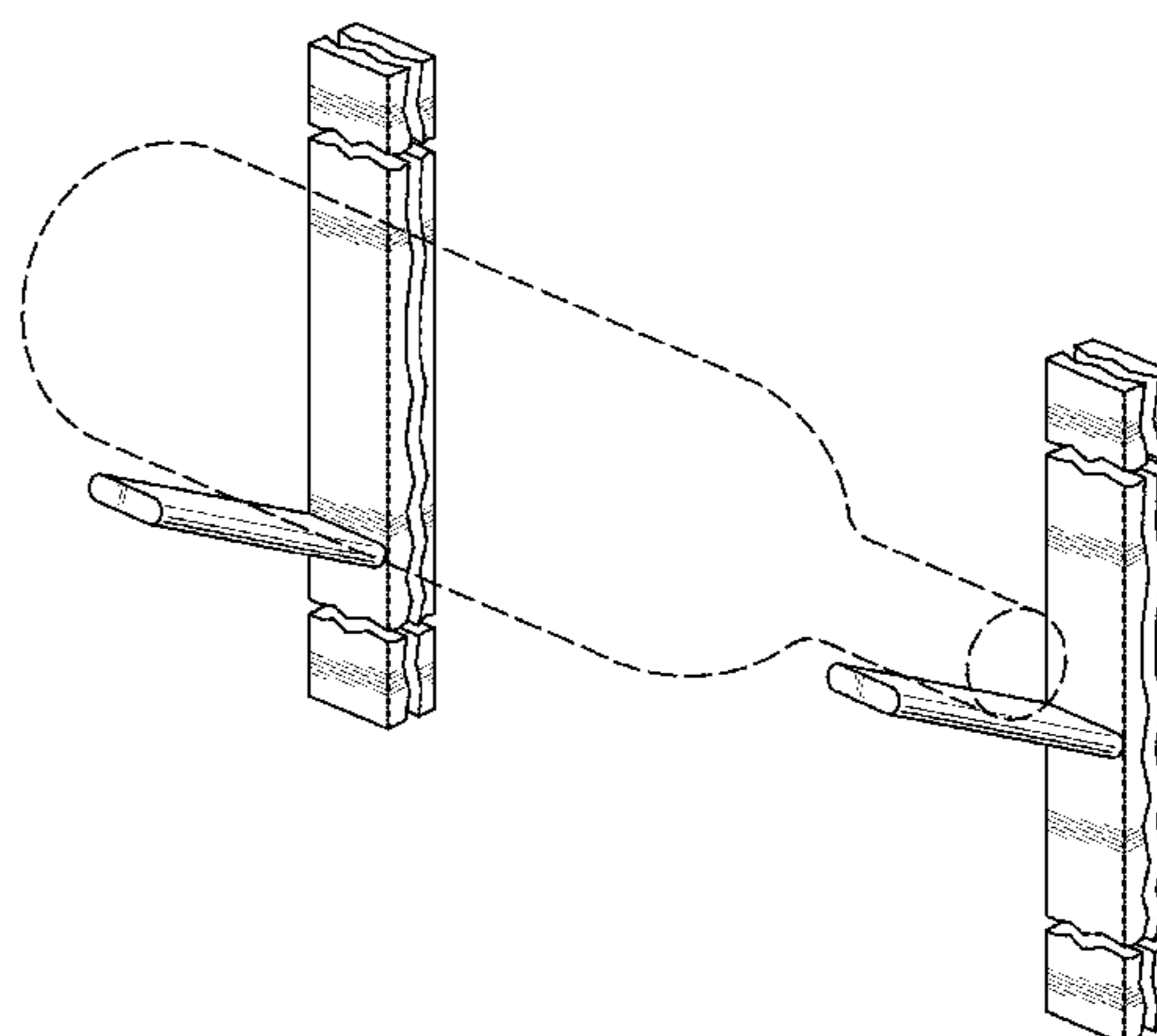
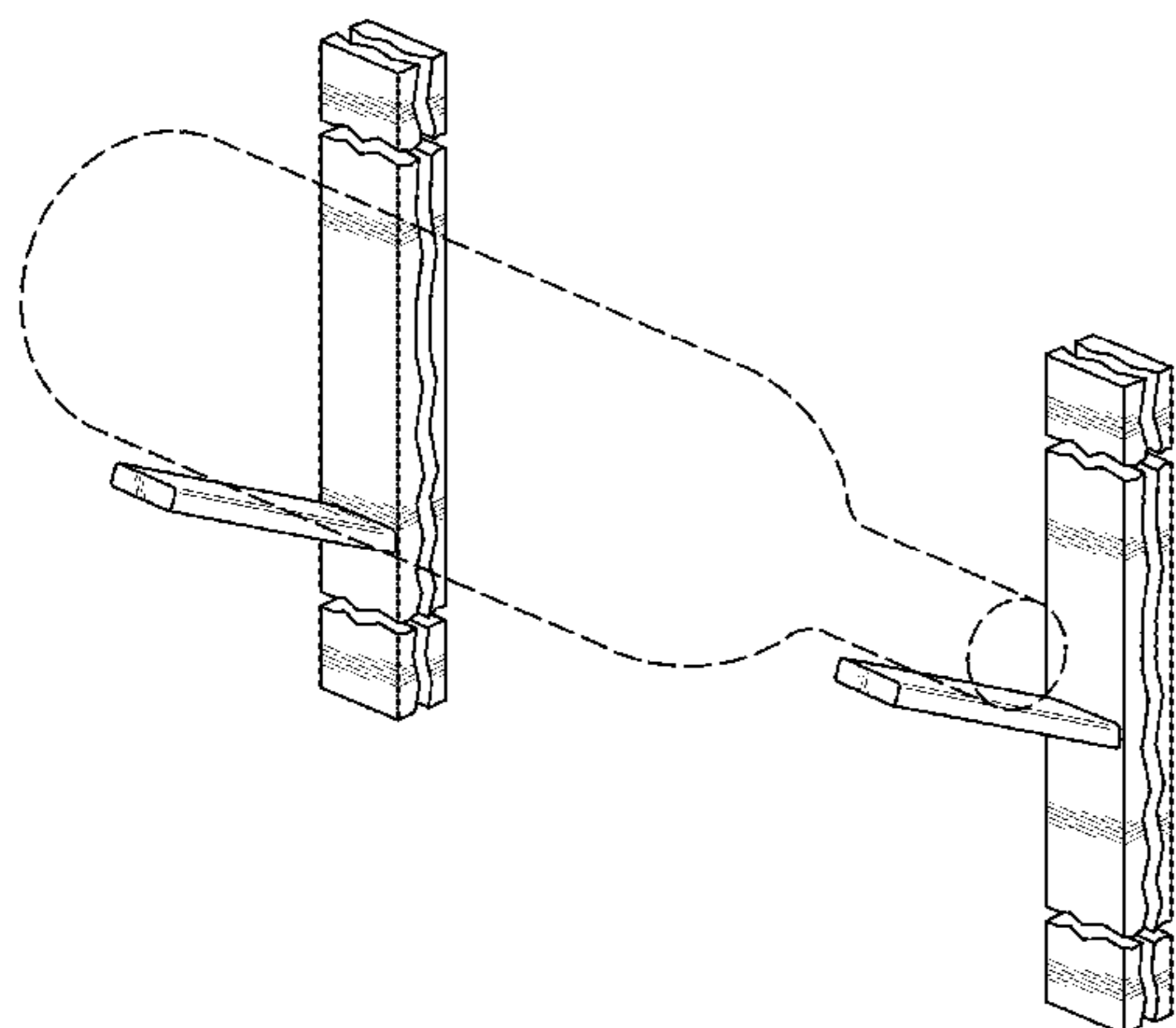
**Related U.S. Application Data**

- (63) Continuation-in-part of application No. 29/589,781, filed on Jan. 4, 2017.
- (51) **LOC (11) Cl.** ..... **07-07**
- (52) **U.S. Cl.**  
USPC ..... **D7/701**
- (58) **Field of Classification Search**  
USPC ..... D7/600.1-600.4, 619.1-625, 701-708;  
D6/676.5, 677.5, 678.4, 680.3, 682.2,  
D6/682.5, 682.6; D9/737, 738, 741, 744,  
D9/745, 751, 755; D3/310, 313, 314  
CPC ..... A47B 73/00; A47B 73/006; A47F 5/0815;  
A47F 5/0823; A47F 5/0846; A47F 5/0876  
See application file for complete search history.

(56) **References Cited**

**U.S. PATENT DOCUMENTS**

49,633 A	8/1865	King
278,200 A	5/1883	Tait
583,727 A	6/1897	Braun
698,272 A	4/1902	Glover
799,783 A	9/1905	Ette
1,480,939 A	1/1924	Hand
1,617,003 A	2/1927	Zeller
1,735,710 A	11/1929	Abrahamsen et al.
1,797,296 A	3/1931	Ray
1,835,726 A	12/1931	Thompson
2,026,746 A	1/1936	Moore



**US D848,802 S**

4,094,415 A	6/1978	Larson	6,464,691 B1	10/2002	Castaneda
4,193,586 A	3/1980	Guenther	6,502,711 B1	1/2003	McRae
D255,405 S	6/1980	DeVillers	6,561,474 B1	5/2003	Walter et al.
4,223,862 A	9/1980	Doughty	6,575,312 B2	6/2003	Santa Cruz
4,264,230 A	4/1981	Vanderminden	6,589,277 B1	7/2003	Fabiani
4,282,977 A	8/1981	Di Lorenzo	6,644,483 B1	11/2003	Lai
D260,463 S	9/1981	Imus	6,675,978 B2	1/2004	Shea
D262,334 S	12/1981	Clarke, Jr. et al.	6,695,154 B2	2/2004	Jacobs
4,319,730 A	3/1982	Thalenford	6,711,871 B2	3/2004	Beirise et al.
4,340,317 A	7/1982	Heitmann et al.	6,729,481 B1	5/2004	O'Brien
4,358,214 A	11/1982	Shull	6,763,956 B2	7/2004	Woods
4,386,870 A	6/1983	Baroody	6,786,337 B2	9/2004	Klein
4,420,087 A	12/1983	Johns	D497,526 S	10/2004	Sanders et al.
4,431,332 A	2/1984	Dieges	6,808,147 B2	10/2004	Brannen et al.
4,482,065 A	11/1984	Altemose	D509,108 S	9/2005	Rosenberg et al.
4,485,929 A	12/1984	Betts, Sr.	6,945,414 B1	9/2005	Stevens et al.
4,514,107 A	4/1985	Moreno	6,991,117 B2	1/2006	McCain
D284,720 S	7/1986	Watson	7,040,835 B2	5/2006	Sun
4,601,621 A	7/1986	Permoda	D539,563 S *	4/2007	Grosfillex ..... D6/682.6
D289,716 S	5/1987	Boland	7,198,159 B2	4/2007	Fischer
D291,031 S *	7/1987	Luongo ..... D6/317	D543,078 S	5/2007	Davalos
4,695,183 A	9/1987	Greenberg	7,270,242 B2	9/2007	Liu
4,711,594 A	12/1987	Agee	D554,188 S *	10/2007	Bonaventura ..... D19/90
D295,128 S	4/1988	Gentile	7,284,671 B1	10/2007	Doscher
4,805,783 A	2/1989	Mayer	7,284,734 B2	10/2007	Hamerski
4,836,574 A	6/1989	Ingalls	D566,490 S	4/2008	Frentzel
D306,385 S *	3/1990	Alexander ..... D6/552	7,377,397 B2	5/2008	Lee et al.
4,944,415 A	7/1990	Orbach	7,392,912 B2	7/2008	Zandt
4,981,388 A	1/1991	Becken et al.	7,448,820 B1	11/2008	Faber
4,993,865 A	2/1991	Nagashima	7,517,425 B2	4/2009	Schroeder et al.
5,025,936 A	6/1991	Lamoureaux	7,673,761 B2	3/2010	Lee et al.
5,037,390 A	8/1991	Raines	D618,524 S *	6/2010	Nesil ..... D7/704
D320,325 S *	10/1991	Barfield ..... D6/552	7,806,268 B2	10/2010	Angelocci
5,067,846 A	11/1991	Staniszewski	7,850,017 B2	12/2010	McCain
5,094,564 A	3/1992	Tedrick	7,861,986 B2	1/2011	Cline
5,097,966 A	3/1992	Miller	7,878,340 B1	2/2011	Olsen
5,116,007 A	5/1992	Von Gunton et al.	7,882,967 B2	2/2011	Hynes
5,163,567 A	11/1992	Betts, Sr.	D634,992 S	3/2011	McNamee
D332,018 S *	12/1992	De Pas ..... D6/682.6	7,942,747 B2 *	5/2011	Cole ..... A47B 47/00 211/100
5,169,009 A	12/1992	Bomze	D655,986 S	3/2012	Schneider
D333,559 S	3/1993	Rowley	8,231,015 B2	7/2012	McCain
5,190,393 A	3/1993	Svensson	8,272,506 B1	9/2012	Flannery
5,210,898 A	5/1993	Carey	8,336,862 B2	12/2012	Priefert
5,215,413 A	6/1993	Nance	D678,011 S	3/2013	Wylie et al.
5,242,239 A	9/1993	Hosokawa	8,573,548 B2	11/2013	Kuhn et al.
5,279,232 A	1/1994	Gollick	8,607,994 B1	12/2013	Schneider
5,306,093 A	4/1994	Elbert	8,668,049 B2	3/2014	Leng
D348,182 S	6/1994	Young	8,684,194 B2	4/2014	McCain
D348,806 S	7/1994	Young	8,740,534 B2	6/2014	Shawe
5,326,206 A	7/1994	Moore	D708,494 S *	7/2014	Carpenter ..... D7/701
D367,592 S	3/1996	Newport	8,807,896 B2	8/2014	McKinlay
5,499,724 A	3/1996	Hickman	D714,591 S	10/2014	Chen
5,503,276 A	4/1996	Pierce	D714,592 S	10/2014	Chen
5,607,070 A	3/1997	Hellyer	D715,103 S	10/2014	Chen
5,653,349 A	8/1997	Dana et al.	D715,104 S	10/2014	Chen
D383,607 S	9/1997	Whitlock	D715,105 S	10/2014	Chen
5,678,794 A	10/1997	Kump	D731,866 S	6/2015	Paulick
5,711,436 A	1/1998	Moeller et al.	9,060,603 B1 *	6/2015	Christie ..... A47B 73/002
5,727,698 A	3/1998	Lai	9,064,687 B2 *	6/2015	Rebstock ..... H01L 21/67057
5,785,187 A	7/1998	Lipman et al.	D734,977 S *	7/2015	Dietz ..... D7/701
D396,800 S	8/1998	Robert	D735,540 S *	8/2015	Carpenter ..... D7/704
5,813,550 A	9/1998	Sheehan et al.	D739,189 S	9/2015	Carpenter
5,855,347 A	1/1999	Hollingsworth et al.	D739,190 S	9/2015	Kasza
D406,217 S	3/1999	Campbell	9,149,115 B2	10/2015	Kasza et al.
5,906,466 A	5/1999	Eandi	D747,155 S	1/2016	Goodman
5,918,750 A	7/1999	Jackson	D751,371 S	3/2016	Pan
5,944,203 A	8/1999	Vlah et al.	D751,871 S	3/2016	Polley et al.
6,116,435 A	9/2000	Young	9,289,062 B1	3/2016	Posa
6,119,875 A	9/2000	Smith	D756,723 S	5/2016	Cash
6,126,022 A	10/2000	Merkel	9,364,085 B2	6/2016	McCain
6,161,707 A	12/2000	Lin	D766,051 S	9/2016	LaRiviere
6,173,845 B1	1/2001	Higgins et al.	D766,052 S	9/2016	Guindi
6,199,705 B1	3/2001	Portner et al.	D776,956 S	1/2017	Ma
6,336,298 B1	1/2002	Chou	9,565,933 B2	2/2017	Kasza
6,355,038 B1	3/2002	Pisharodi	9,629,485 B2 *	4/2017	Florek ..... A47G 1/12
6,361,129 B1	3/2002	Borgen	D785,418 S	5/2017	Carpenter
D460,295 S	7/2002	Fissell et al.	D789,164 S	6/2017	Peterson
D460,902 S	7/2002	Battle	9,949,563 B2	4/2018	Kasza et al.
6,443,316 B1	9/2002	Mao			

10,004,330	B1	6/2018	Kasza
D821,831	S	7/2018	Kasza
2001/0013567	A1	8/2001	Valiulis
2003/0057336	A1	3/2003	Hochman
2004/0069730	A1	4/2004	Woods
2004/0104187	A1	6/2004	McCain
2004/0144740	A1	7/2004	Przygoda
2005/0072746	A1	4/2005	O'Brien
2006/0275098	A1	12/2006	Kramer
2007/0039907	A1	2/2007	Zandt
2007/0068887	A1	3/2007	Nawrocki
2007/0094985	A1	5/2007	Grafenauer
2007/0158284	A1	7/2007	Felder
2008/0000861	A1	1/2008	Mullerleile
2008/0054142	A1	3/2008	Deland
2009/0071920	A1	3/2009	Bassetti
2009/0152219	A1	6/2009	Brida
2009/0152221	A1	6/2009	Hynes
2009/0286611	A1	11/2009	Beach et al.
2010/0006523	A1	1/2010	Hogeback
2010/0051769	A1	3/2010	Tyson
2011/0132853	A1	6/2011	Drobot et al.
2011/0309220	A1	12/2011	Collini
2012/0082528	A1	4/2012	Wang
2012/0085721	A1	4/2012	Michael et al.
2013/0334155	A1	12/2013	Kasza et al.
2015/0060380	A1	3/2015	Maurer
2016/0029790	A1	2/2016	Carpenter
2016/0331131	A1	11/2016	Ghaeni
2017/0105522	A1	4/2017	Kasza et al.
2018/0146781	A1	5/2018	Kasza et al.

FOREIGN PATENT DOCUMENTS

CA	1012095	6/1977
CA	2456638	8/2004
CA	2677021	2/2010
CA	2743948	5/2010
CN	303752353	7/2016
DE	3015594	A1 12/1981
DE	20309209-UI	8/2003
EP	1389437	2/2004
FR	0652290001	1/2007
GB	261537	11/1926
GB	1202519	8/1970
GB	2189387	A 10/1987
GB	2242352	A 10/1991
NL	1021103	C1 1/2004
WO	WO-2014032158	A1 3/2014

OTHER PUBLICATIONS

Bamboo Wine Rack with Espresso Accents. Online, published date unknown. Retrieved on Jun. 30, 2018 from URL: <https://www.homedepot.com/p/Anchor-Hocking-Bamboo-Wine-Rack-with-Espresso-Accents-98617AH/205201216>.\*

U.S. Appl. No. 29/637,470, filed Feb. 19, 2018, First Named Inventor: Jamie Dennis Kasza.

Design U.S. Appl. No. 29/521,526, filed Mar. 24, 2015.

Design U.S. Appl. No. 29/589,781, filed Jan. 4, 2017.

U.S. Appl. No. 15/409,263, filed Jan. 18, 2017.

Design U.S. Appl. No. 29/625,830, filed Nov. 13, 2017.

U.S. Appl. No. 15/980,834, filed May 16, 2018, First Named Inventor: Jamie Dennis Kasza.

Design U.S. Appl. No. 29/647,826, filed May 16, 2018, First Named Inventor: Jamie Dennis Kasza.

Office Action in European Patent Application No. 13172148.2 (Aug. 14, 2018).

Extended European Search Report for European Patent Application No. 13172148.2 (Aug. 19, 2013).

Vin De Garde, "Beta Bloc—Single Bottle," 3D Warehouse SketchUp, <http://sketchup.google.com/3dwarehouse/details?mid=950db41b6d3bd0edc72a6080af74e2bc>, 1 page (Nov. 30, 2012).

Billy Carpenter, Twitter Post, <https://twitter.com/moderncellars/status/252140684579061760>, 1 page (Sep. 29, 2012).

Billy Carpenter, Twitter Post, <https://twitter.com/moderncellars/status/254266152501526529>, 1 page (Oct. 5, 2012).

Vin De Garde, 2013 Catalog, "Vin De Garde 2013, Modern Wine Cellars," pp. 1-29 (2013).

Amazon.fr, Product Description, Blomus Pilare /68486 Casier a vin Pour 12 Bouteilles [Blomus Pilare /68486 Wine Rack for 12 Bottles], [http://www.amazon.fr/blomus-pilare-68486-Casier-bouteilles/dp/B000BKBJWC/ref=sr\\_1\\_1?ie=UTF8&qid=1421968472&sr=8-1&keywords=Blomus+Pilare](http://www.amazon.fr/blomus-pilare-68486-Casier-bouteilles/dp/B000BKBJWC/ref=sr_1_1?ie=UTF8&qid=1421968472&sr=8-1&keywords=Blomus+Pilare), date first available at Amazon.fr Aug. 8, 2007.(accessed Jan. 22, 2015).

Hayneedle.com, Product Description, Blomus Pilare Wine Rack—Choose 9 or 12 Bottle Rack, review 1 dated Nov. 9, 2006, <http://www.hayneedle.com/product/pilarewinerack.cfm> (accessed Jan. 10, 2015).

Amazon.com, Product Description, Blomus Wine Bottle Storage, Holds 12 Bottles, review by Brian Go dated Aug. 2, 2011, <http://www.amazon.com/Blomus-Bottle-Storage-Holds-Bottles/dp/B000BKBJWC> (accessed Oct. 1, 2015).

Walmart.com, Product Description, Blomus Pilare Wine Rack—Choose 9 or 12 Bottle Rack, review by Carol-Simplify dated Mar. 26, 2008, <http://www.walmart.com/ip/blomus-Pilare-Wine-Rack-Choose-9-or-12-Bottle-Rack/17361365>, (accessed Oct. 1, 2015).

Amazon.de, Product Description, Blomus 68486 Pilare Weinregal, für 12 Flaschen [Blomus 68486 Pilare Wine Rack for 12 Bottles], <http://www.amazon.de/Blomus-68486-PILARE-Weinregal-Flaschen/dp/B000BKBJWC>, date first available at Amazon.de Sep. 22, 2005 (accessed Jan. 22, 2015).

Stact.com, "Turn Your Wine Into Art," <http://www.getstact.com/> (archived Jul. 29, 2012).

Rosendahl, Spec Sheet, Wine Rack, [https://web.archive.org/web/20050304022515/http://www.unicahome.com/products/pdf/9223/rosendahl\\_wine\\_rack.pdf](https://web.archive.org/web/20050304022515/http://www.unicahome.com/products/pdf/9223/rosendahl_wine_rack.pdf) (Feb. 8, 2005).

International Search Report for PCT/CA2013/000259, published as WO 2014/032158 (Dec. 23, 2013).

Vin De Garde Cellar Systems, Modern Wine Cellars Catalog 2011 (2011).

Genuwine Cellars, Label Link (retrieved from <http://www.genuwinecellars.com/metal-series/label-link/on> Jan. 25, 2013).

Genuwine Cellars, PEG System (retrieved from <http://www.genuwinecellars.com/metal-series/peg-system/> on Jan. 25, 2013).

Genuwine Cellars, Metal Series (retrieved from <http://www.genuwinecellars.com/metal-series/on> Feb. 21, 2013).

Houzz Inc., Bachus Bottle Rack—modern—wine racks—by Made in Design, 2013 (retrieved from <http://www.houzz.com/photos/151858/Bachus-Bottle-Rack-modern-wine-racks-> on Jul. 18, 2013).

Houzz Inc., Live-Edge Solid Walnut 6-Bottle Wine Rack—eclectic—wine racks by Etsy, 2013 (retrieved from <http://www.houzz.com/photos/2739502/Live-Edge-Solid-Walnut-6-Bottle-Wine-Rack-eclectic-wine-racks-> on Jul. 18, 2013).

Houzz Inc., Wood & Metal Industrial Wine Rack—contemporary—wine racks by World Market, 2013 (retrieved from <http://www.houzz.com/photos/1548374/Wood---Metal-Industrial-Wine-Rack-contemporary-wine-racks-> on Jul. 18, 2013).

Stact Wine Displays Inc., Stact revolutionary wine rack, 2013 (retrieved from <http://www.getstact.com/collections/wine-rack-revolutionized> on Jul. 18, 2013).

Kickstarter.com, "STACT Modular Wine Wall: Wine Storage Beautified," launched Jul. 26, 2012, <http://www.kickstarter.com/projects/stact/stact-modular-wine-wall-wine-storage-beautified> (archived Jul. 29, 2012).

Marketwired.com, "Wine Storage Beautified: Canada's Stact Modular Wine Wall System Launches Globally through Kickstarter," <http://www.marketwired.com/press-release/wine-storage-beautified-canadas-stact-modular-wine-wall-system-launches-globally-through-1684078.htm> (Jul. 26, 2012).

Gillian Shaw, "Vancouver Wine Connoisseur Launches Successful Kickstarter Project to Fund the Perfect Wine Rack," Vancouver Sun, Digital Life, <http://blogs.vancouversun.com/2012/07/28/vancouver-wine-connoisseur-launches-successful-kickstarter-project-to-fund-the-perfect-wine-rack/> (Jul. 28, 2012).

Kim Hart Macneill, "A New Way to Kickstart a Business," Profitguide.com, <http://www.profitguide.com/startup/best-practices/mass-appeals-40210> (Sep. 5, 2012).

Uncrate.com, "Stact Modular Wine Wall," <http://uncrate.com/stuff/stact-modular-wine-wall/> (archived Jul. 30, 2012).

billwang.net, Design Online, [Billwang Industrial Design Forum > Industrial Design Zone > Design Resources > Design Resources Digest > Nordic windows, some household items map , p. 25 Update (Jul. 5 )], Posted on Dec. 11, 2006 , 17:04, <http://bbs.billwang.net/post5298125-187/> (accessed Jan. 22, 2015).

Aronson, Steven M. L. et al., "An Ocean of Art William I. Koch's Stellar Collection in Palm Beach," *Architectural Digest* (Mar. 2002).

Sothebys.com, "First Look: Wines from the Cellar of William I. Koch," Video Screenshot at 0:37, <http://www.sothebys.com/content/sothebys/en/news-video/videos/2016/03/wines-from-the-cellar-of-william-i-koch.html>.

Youtube.com, "The Wine Cellar of William I. Koch: The Collector," Video Screenshot at 0:24 and 0:48, <https://www.youtube.com/watch?v=GX88VKyJ7h0>.

Isaac, Ryan "Oil, Water and Wine Bill Koch mixes it up, for profit and pleasure," *Wine Spectator* (Nov. 2006).

Worldmarket.com, Product Description, 30-Bottle Verona Wine Rack, <http://www.worldmarket.com/product/30-bottle+verona+wine+rack.do?&from=fn> (earliest date online Jul. 27, 2015; accessed Feb. 28, 2017).

Dullred.com, "Nice Rectangle Shape Kitchen Wine Racks Come With Brown Wooden Modular Shape Wine Rack and Brown Wooden Wire Glass Cabinet and Double Door Cabinet," <http://www.dullred.com/wonderful-design-ideas-of-kitchen-wine-racks/nice-rectangle-shape-kitchen-wine-racks-brown-wooden-modular-shape-wine-rack-brown-wooden-wine-glass-cabinet-double-door-cabinet/> (earliest date online Nov. 14, 2015; accessed Feb. 28, 2017).

Core77.com, "Designing for Wine Storage," <http://www.core77.com/posts/26960/Designing-for-Wine-Storage> (earliest date online May 29, 2014; accessed Feb. 28, 2017).

Vigilantinc.com, "Vintage View Metal Wine Racks," <https://vigilantinc.com/wine-racks/metal-wine-racks.php> (earliest date online 2015; accessed Feb. 28, 2017).

U.S. Appl. No. 15/883,852, filed Jan. 30, 2018.

\* cited by examiner

*Primary Examiner* — Karen S Acker  
*Assistant Examiner* — Omeed Agilee  
 (74) *Attorney, Agent, or Firm* — LeClairRyan PLLC

(57) **CLAIM**

The ornamental design for a bottle rack, as shown and described.

**DESCRIPTION**

FIG. 1 is a perspective view of the bottle rack having indefinite height and depth, according to a first embodiment;

FIG. 2 is a front elevation view of the bottle rack of FIG. 1; FIG. 3 is a top plan view of the bottle rack of FIG. 1; FIG. 4 is a bottom plan view of the bottle rack of FIG. 1; FIG. 5 is a left side elevation view of the bottle rack of FIG. 1; FIG. 6 is a right side elevation view of the bottle rack of FIG. 1; FIG. 7 is a perspective view of the bottle rack having indefinite height and depth, according to a second embodiment; FIG. 8 is a front elevation view of the bottle rack of FIG. 7; FIG. 9 is a top plan view of the bottle rack of FIG. 7; FIG. 10 is a bottom plan view of the bottle rack of FIG. 7; FIG. 11 is a left side elevation view of the bottle rack of FIG. 7; FIG. 12 is a right side elevation view of the bottle rack of FIG. 7; FIG. 13 is a perspective view of the bottle rack having indefinite height and depth, according to a third embodiment; FIG. 14 is a front elevation view of the bottle rack of FIG. 13; FIG. 15 is a top plan view of the bottle rack of FIG. 13; FIG. 16 is a bottom plan view of the bottle rack of FIG. 13; FIG. 17 is a left side elevation view of the bottle rack of FIG. 13; FIG. 18 is a right side elevation view of the bottle rack of FIG. 13; FIG. 19 is a perspective view from the front and right side of the bottle rack, having indefinite height and depth, according to a fourth embodiment; FIG. 20 is a front elevation view of the bottle rack of FIG. 19; FIG. 21 is a top plan view of the bottle rack of FIG. 19; FIG. 22 is a bottom plan view of the bottle rack of FIG. 19; FIG. 23 is a left side elevation view of the bottle rack of FIG. 19; and, FIG. 24 is a right side elevation view of the bottle rack of FIG. 19.

The dashed lines in FIGS. 1, 7, 13 and 19 represent one or more bottles, which form part of the environment and form no part of the claimed design.

The jagged break lines shown in the drawings are symbolic breaks in depth or length. The appearance of any portion of the article between the break lines forms no part of the claimed design.

**1 Claim, 18 Drawing Sheets**

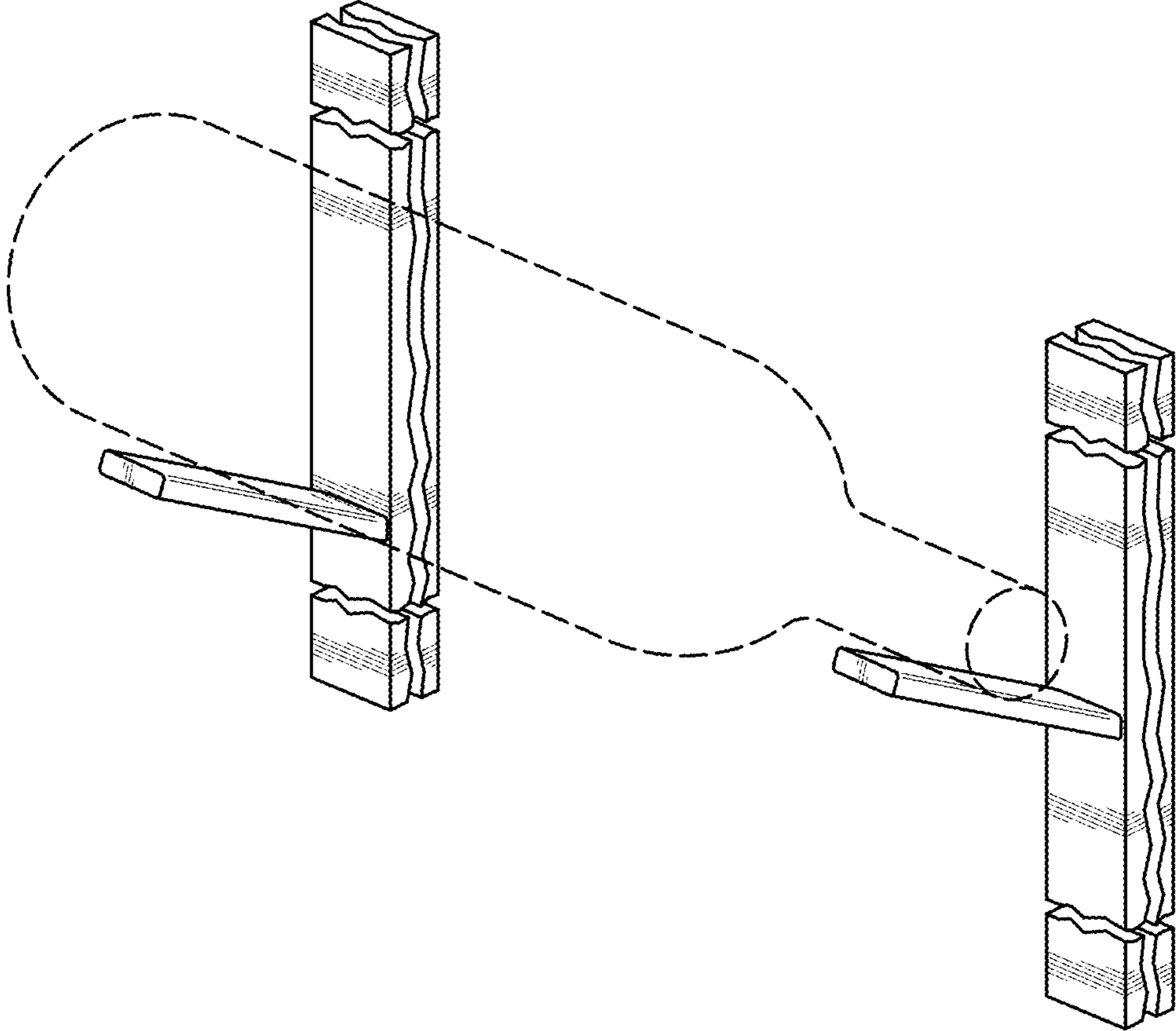
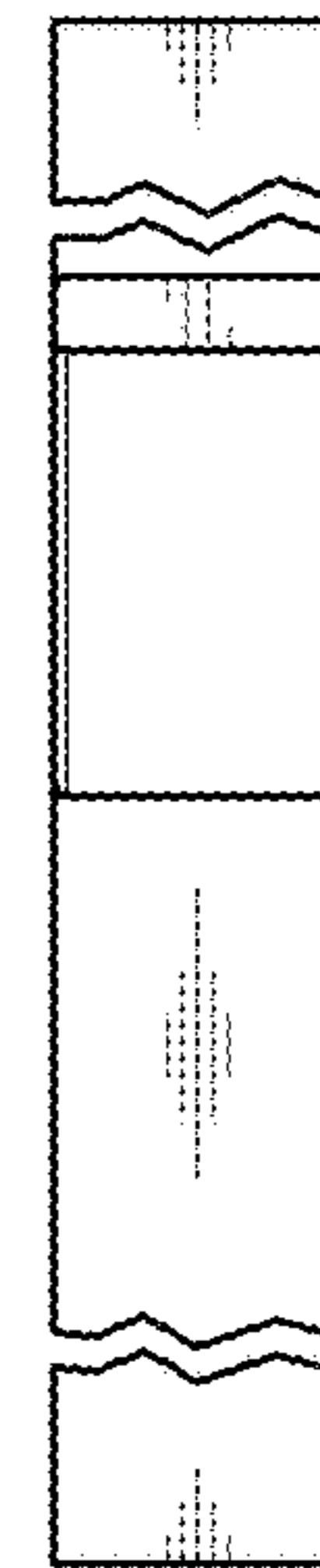
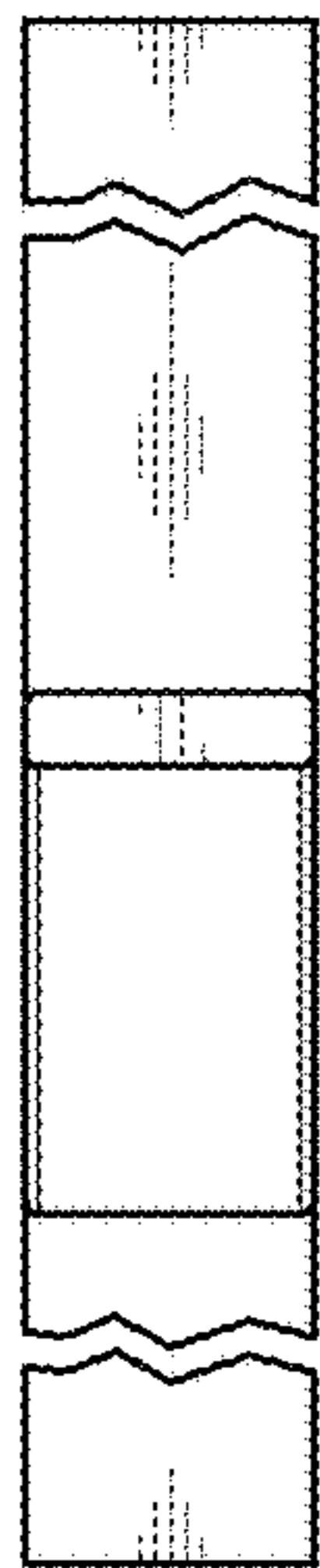
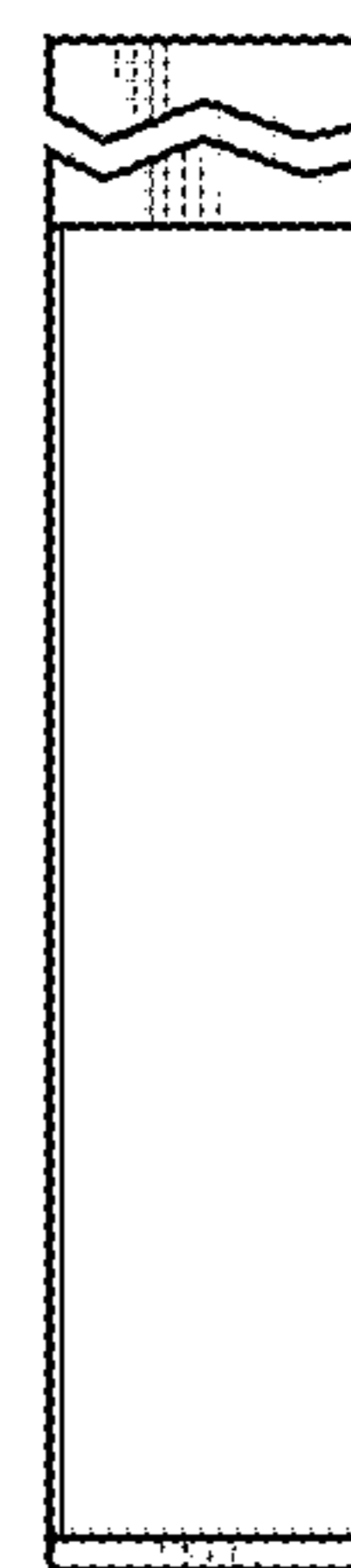
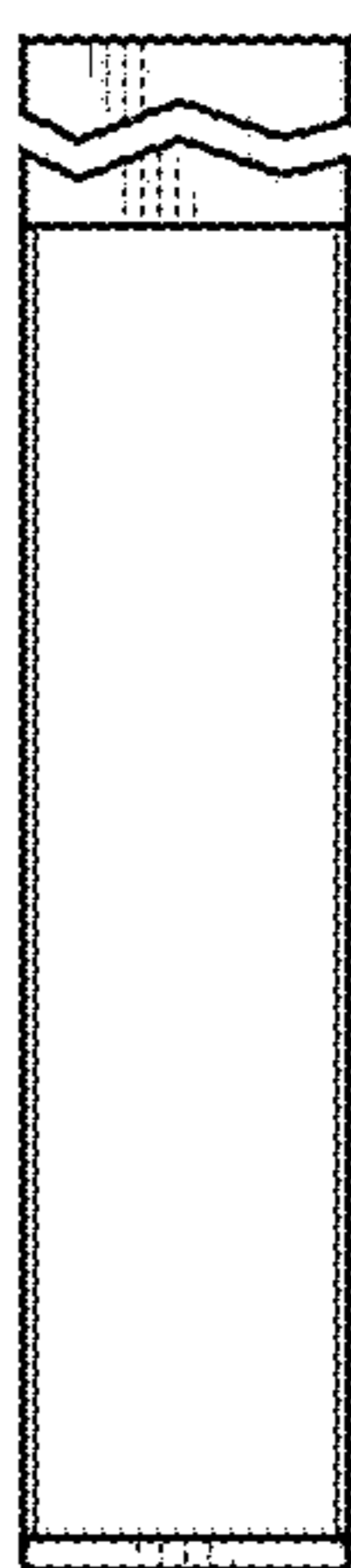


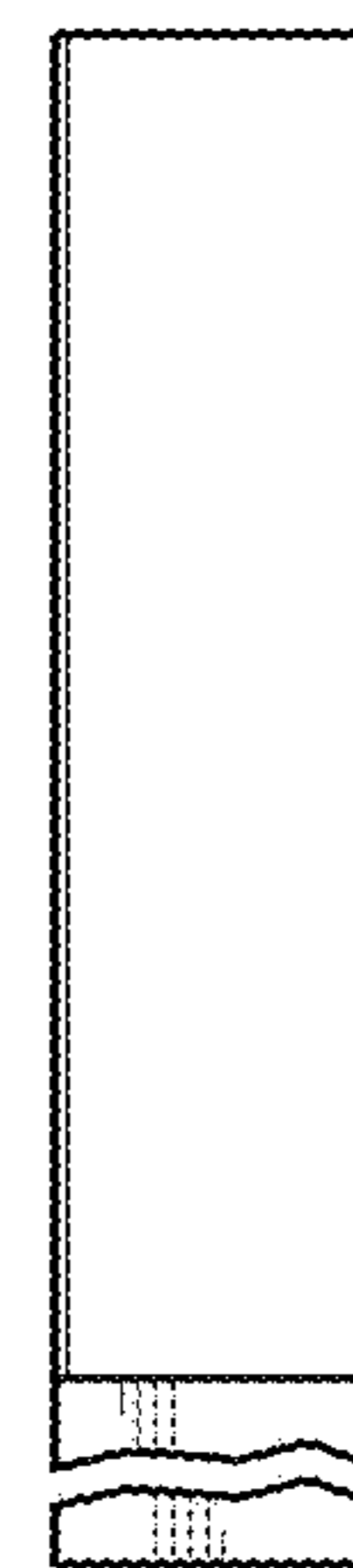
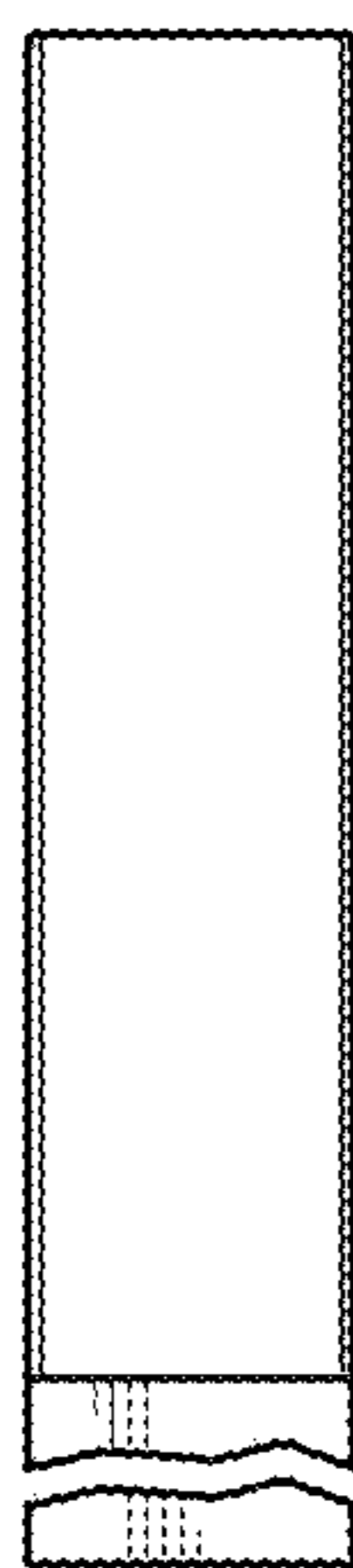
FIG. 1



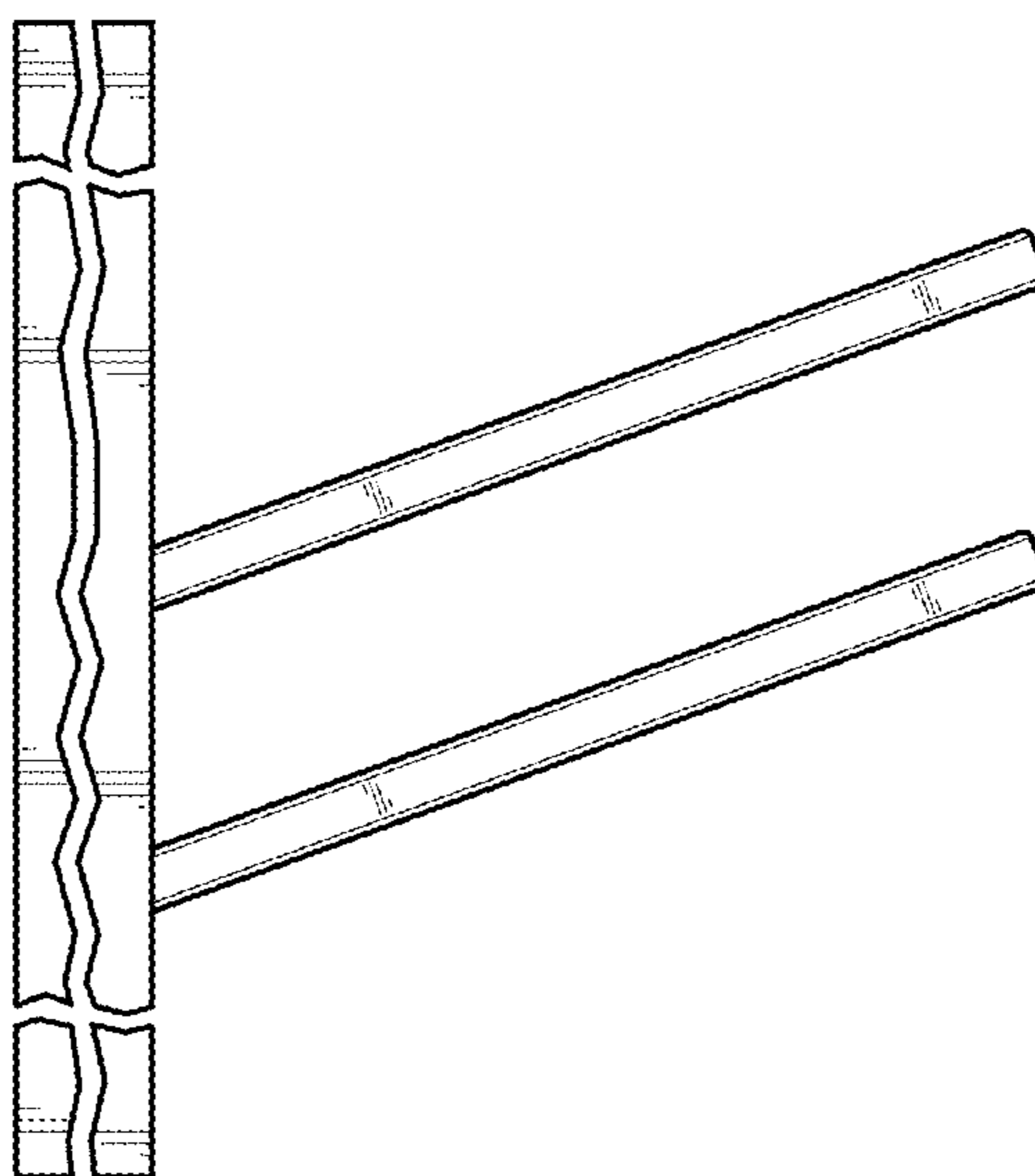
**FIG. 2**



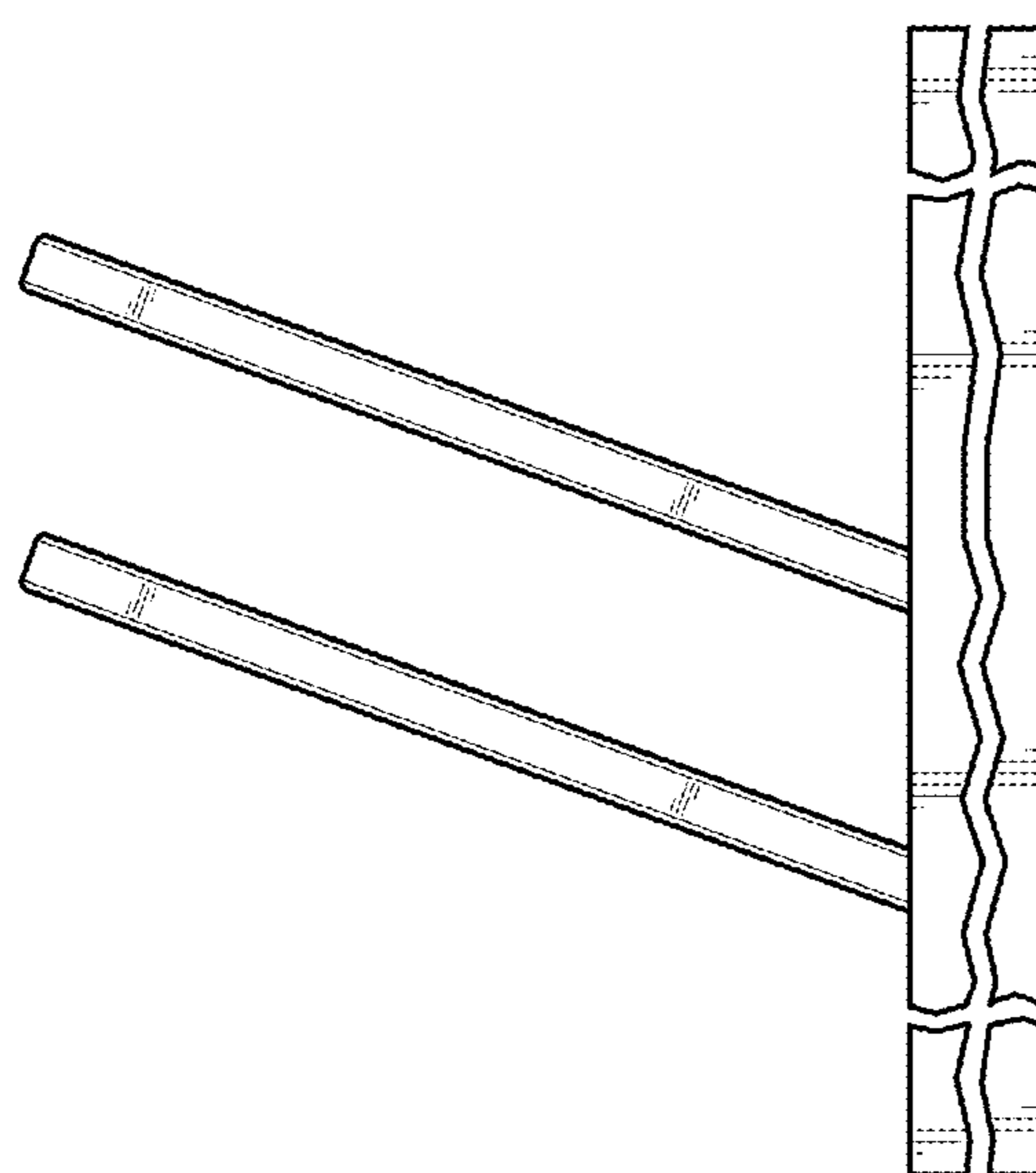
**FIG. 3**



**FIG. 4**



**FIG. 5**



**FIG. 6**



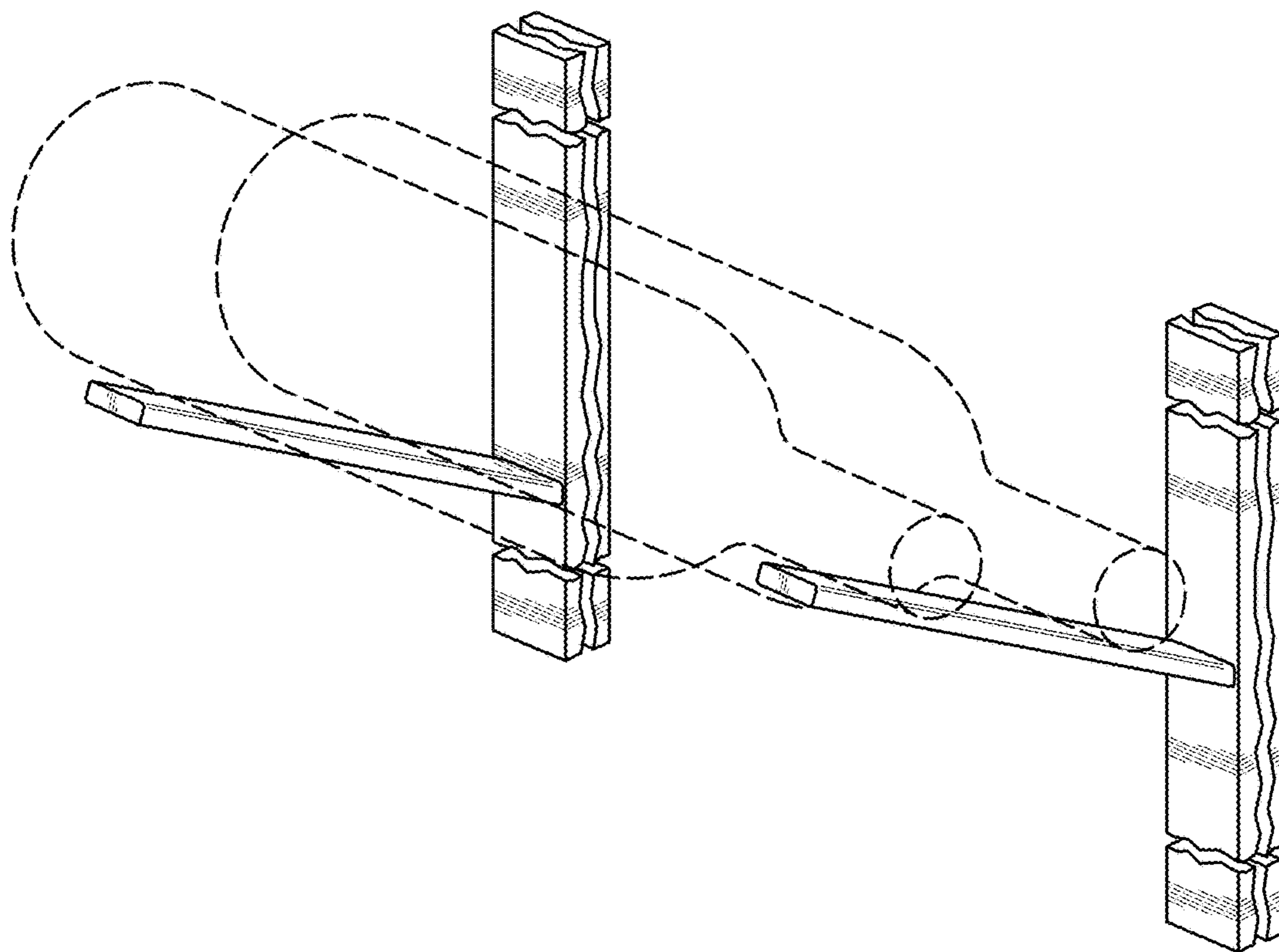
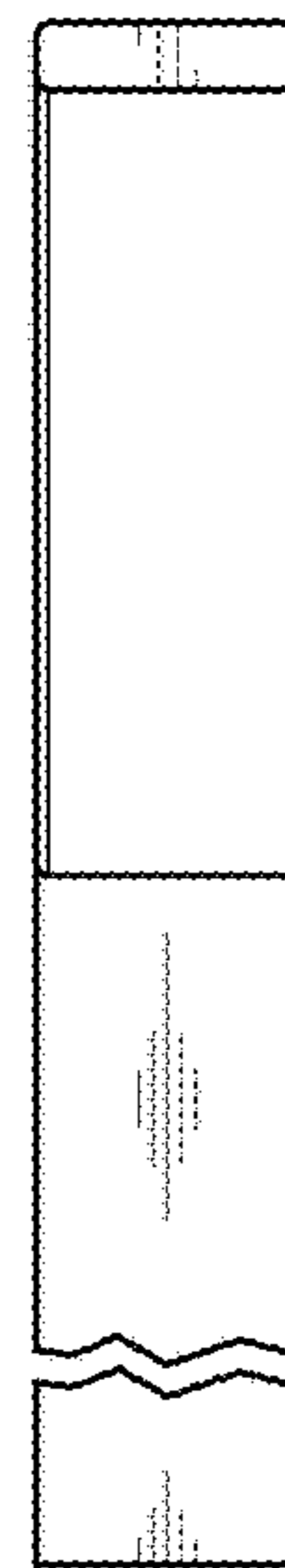
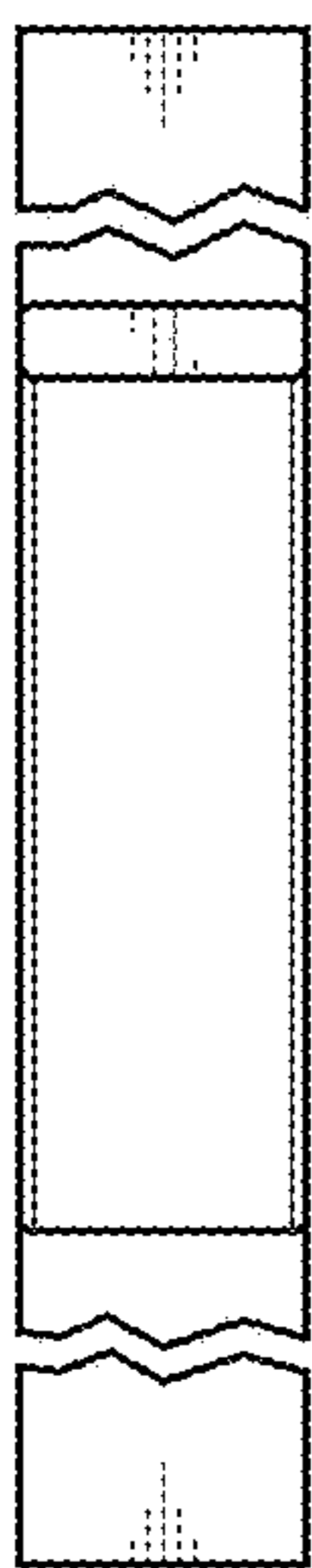


FIG. 7



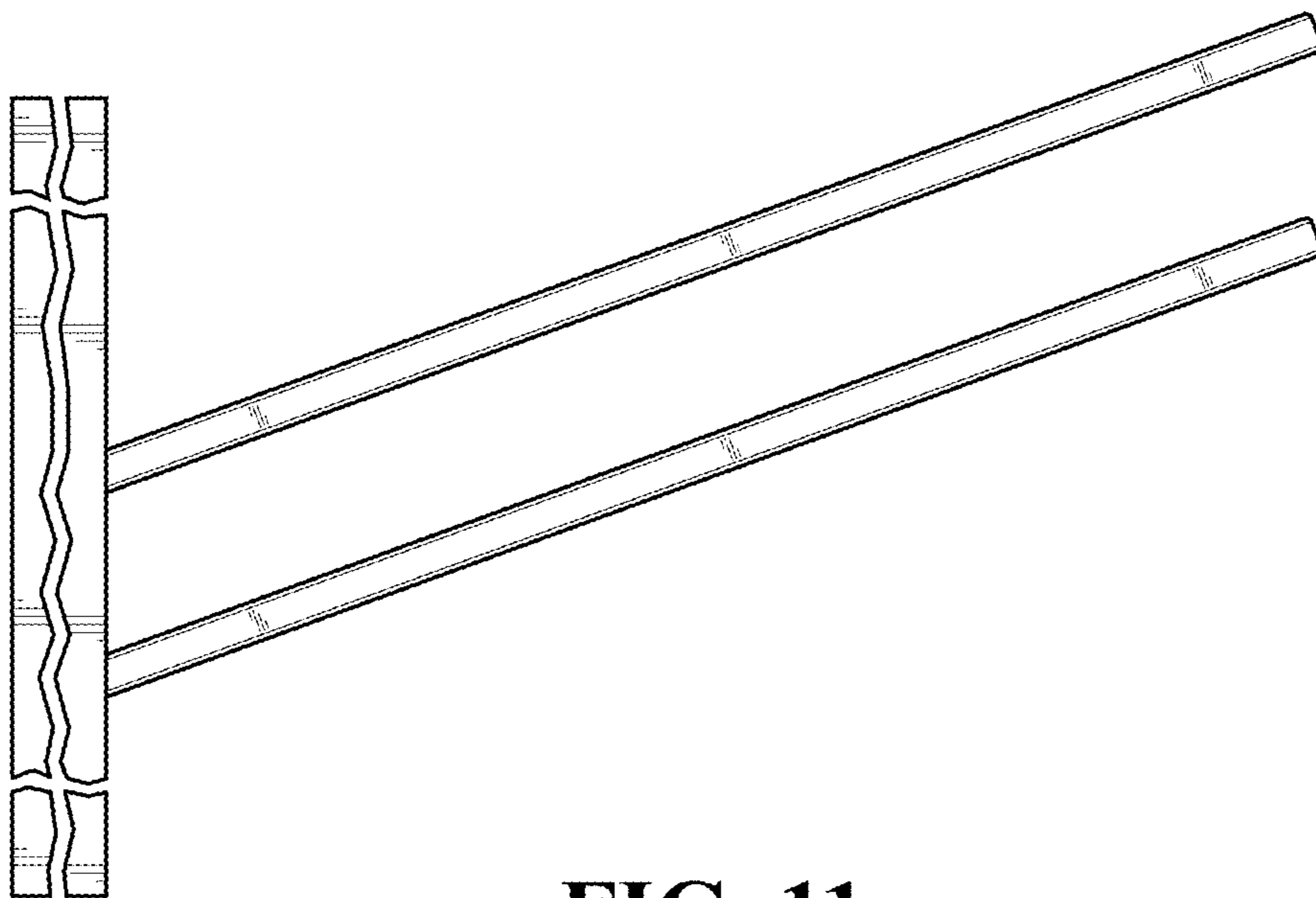
**FIG. 8**



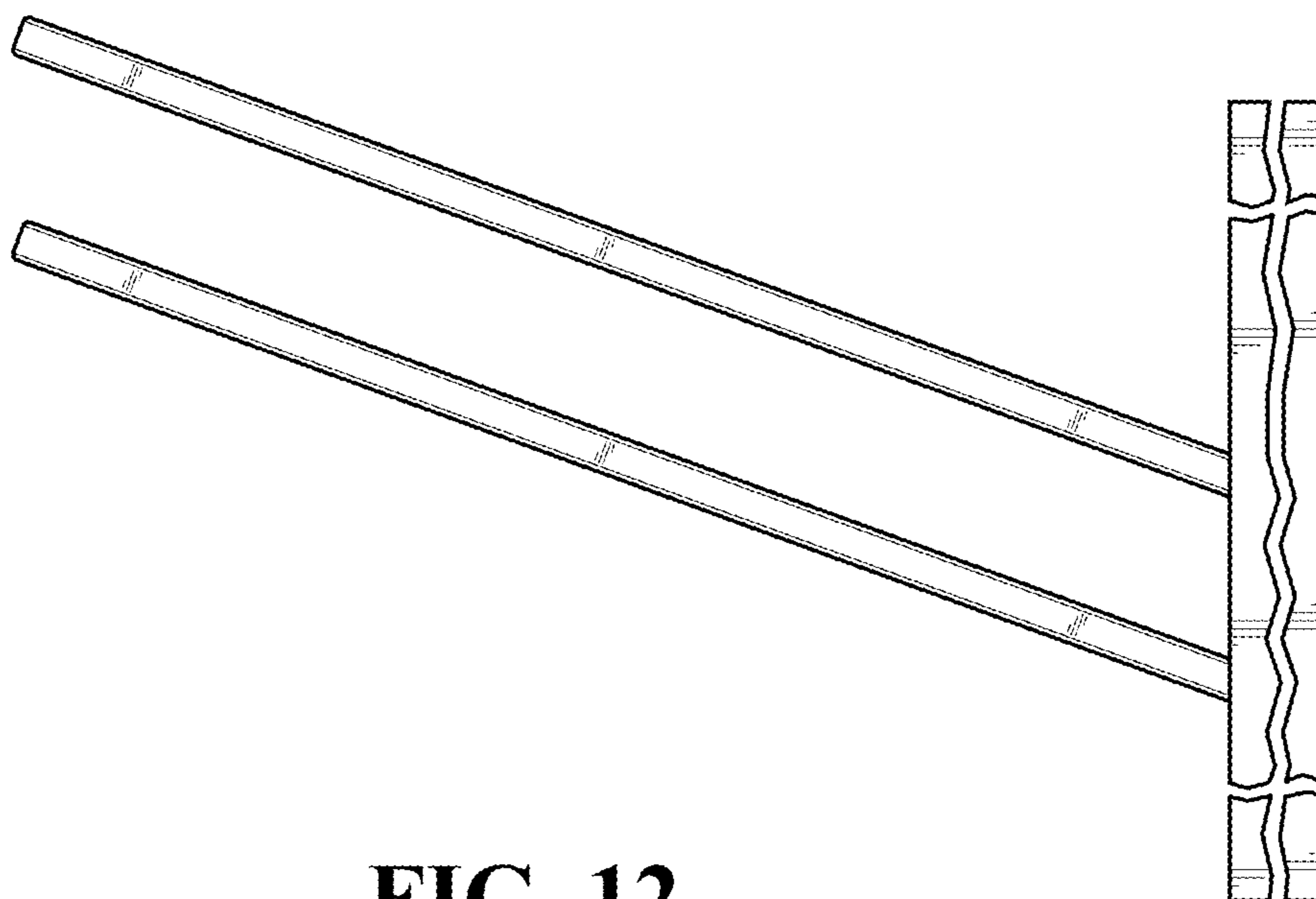
**FIG. 9**



**FIG. 10**



**FIG. 11**



**FIG. 12**

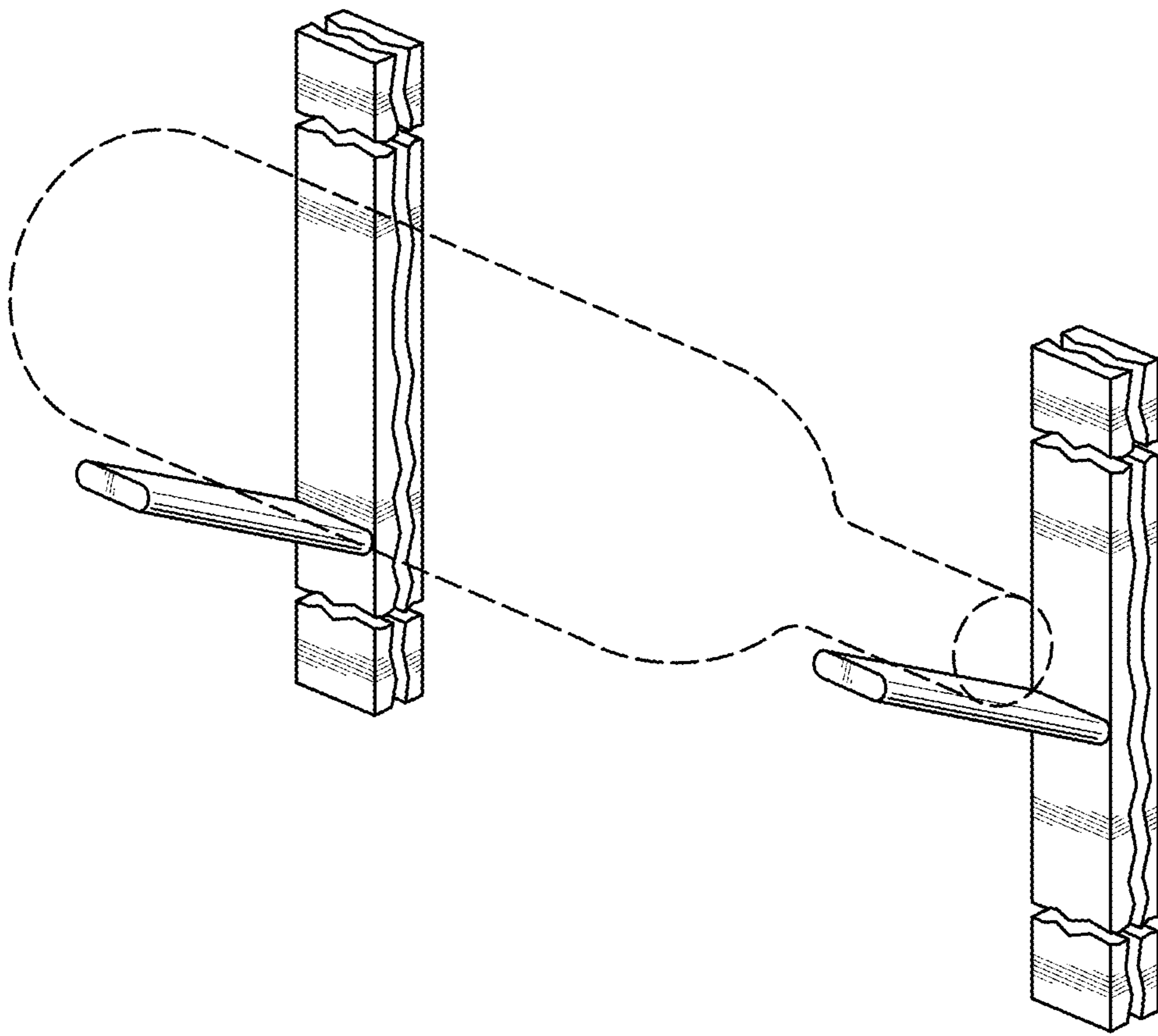
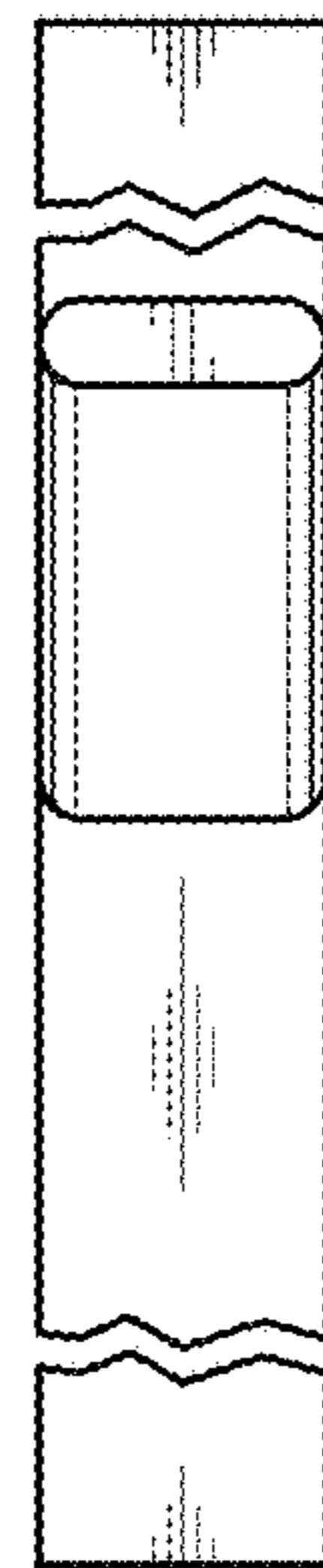
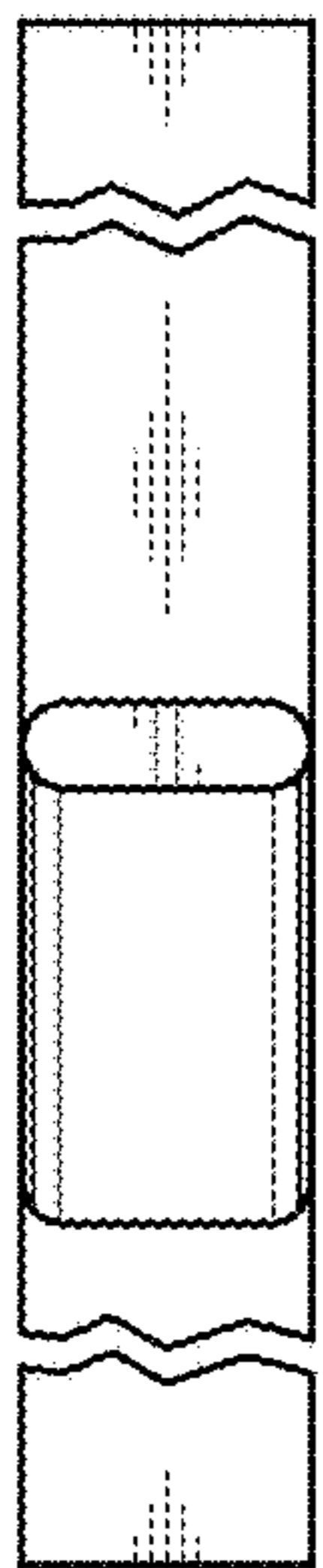
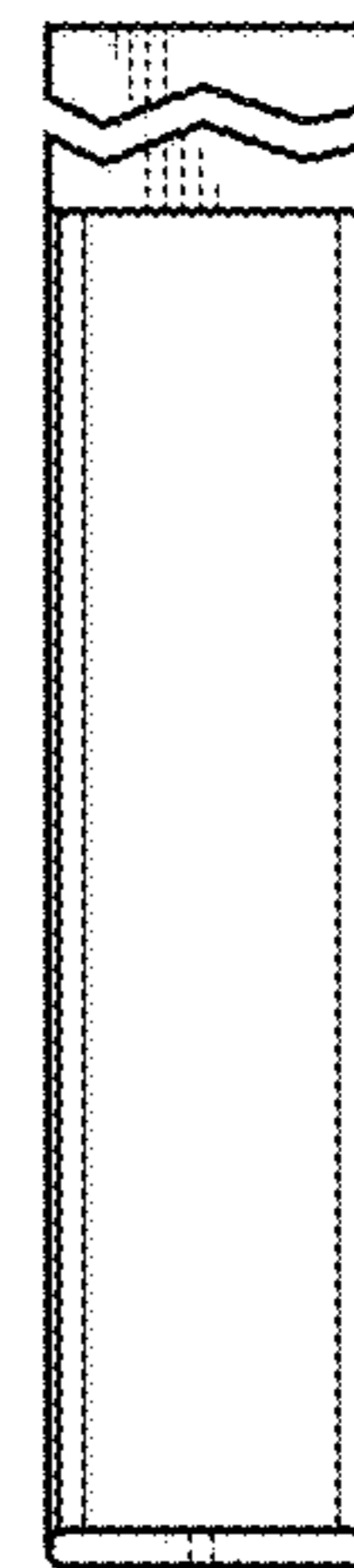
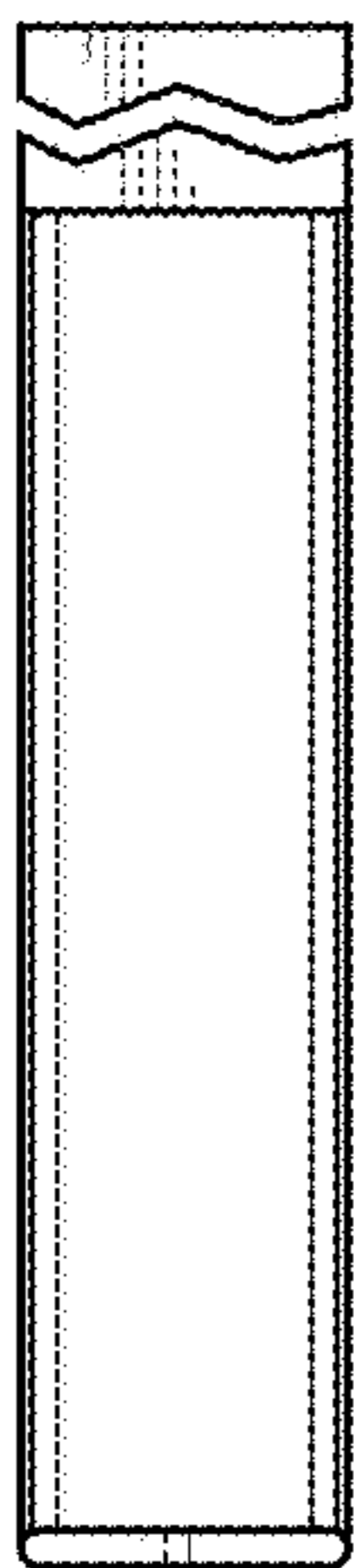


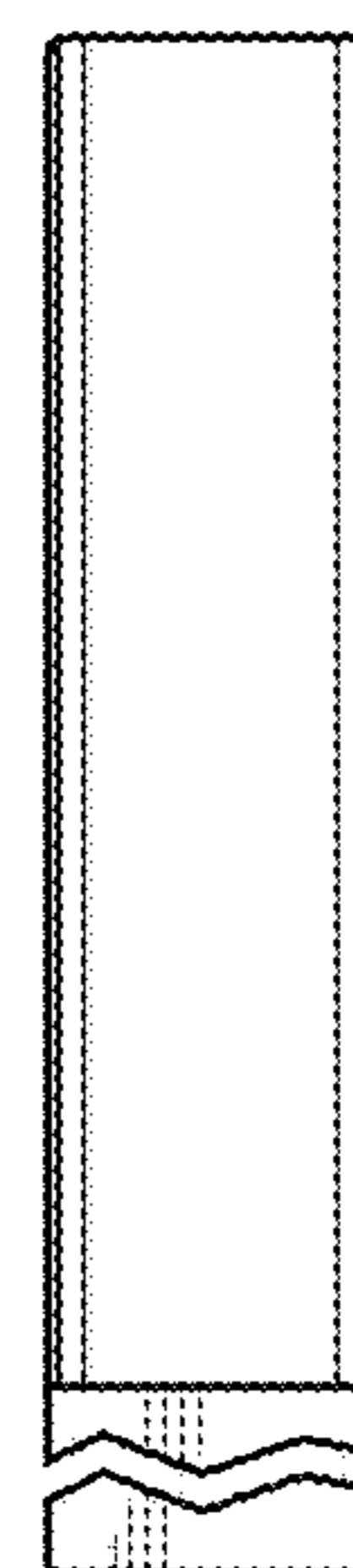
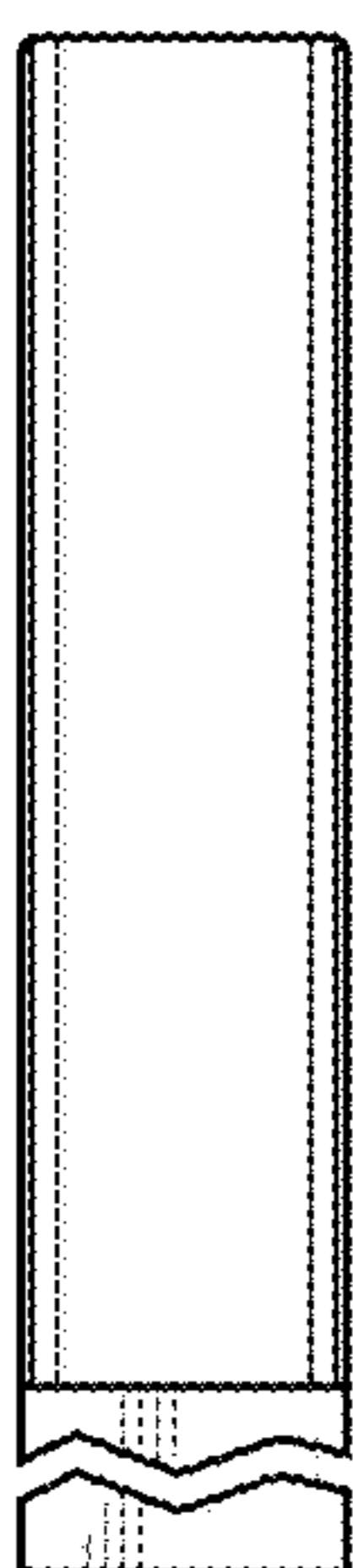
FIG. 13



**FIG. 14**

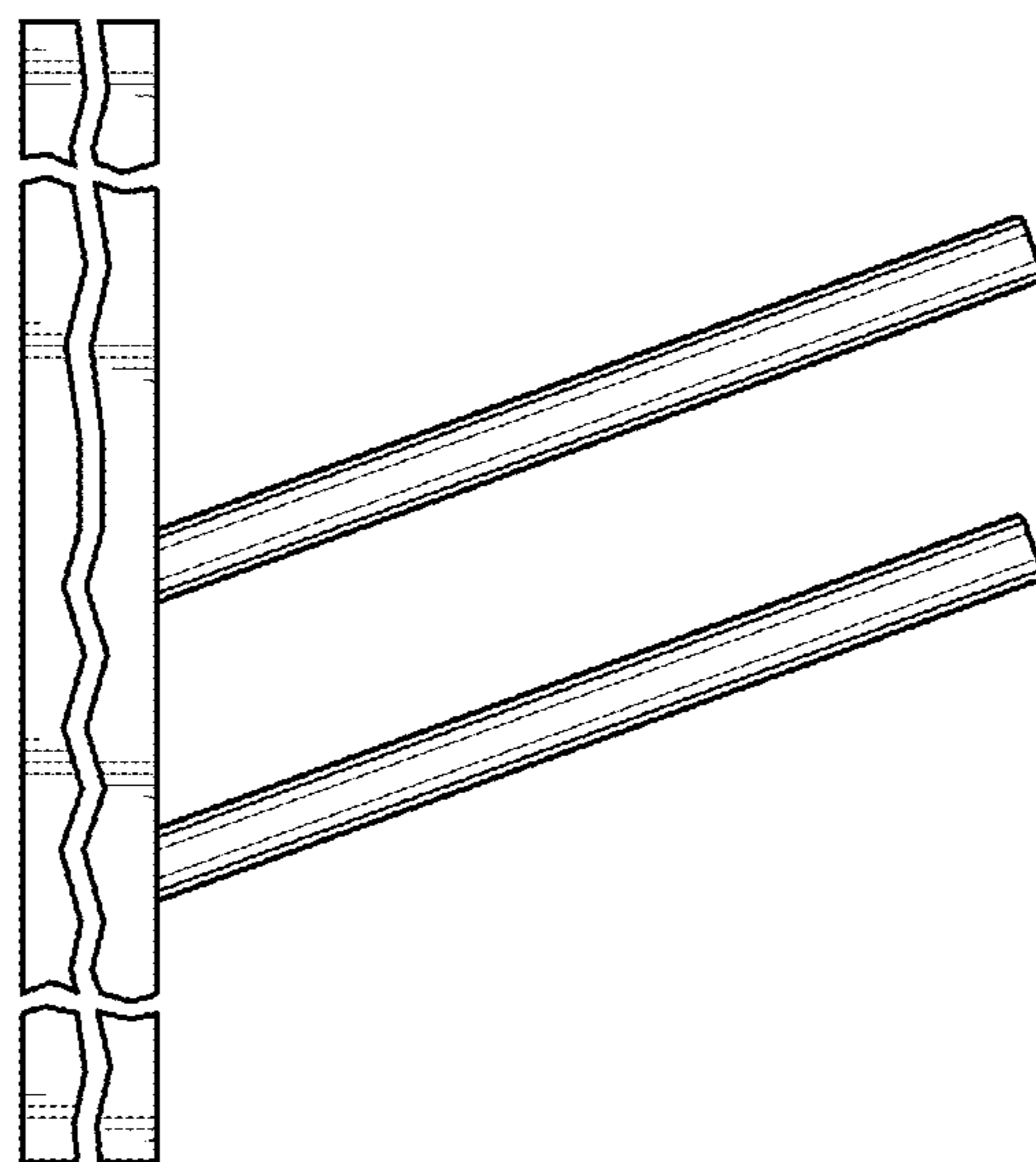


**FIG. 15**

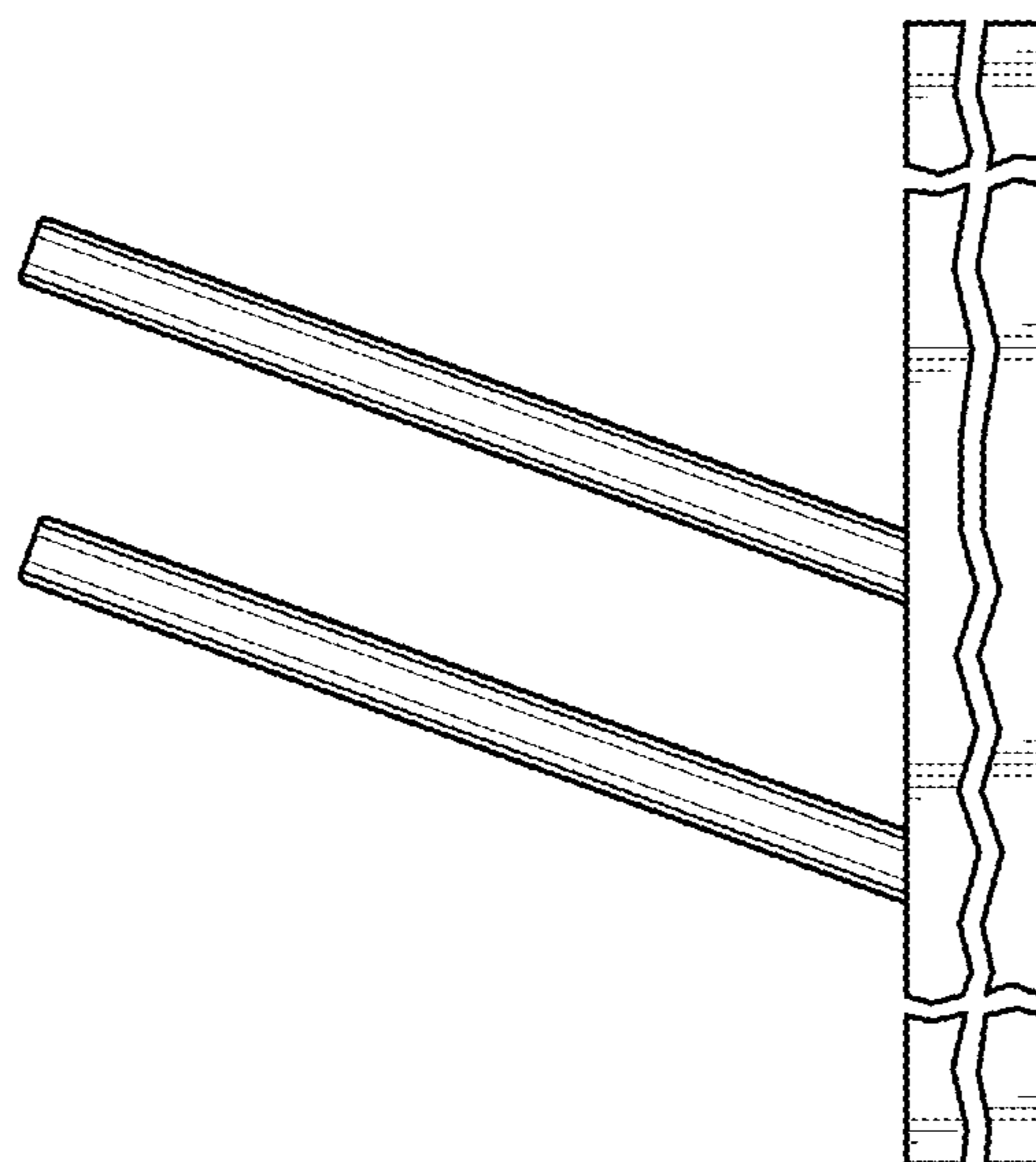


**FIG. 16**





**FIG. 17**



**FIG. 18**

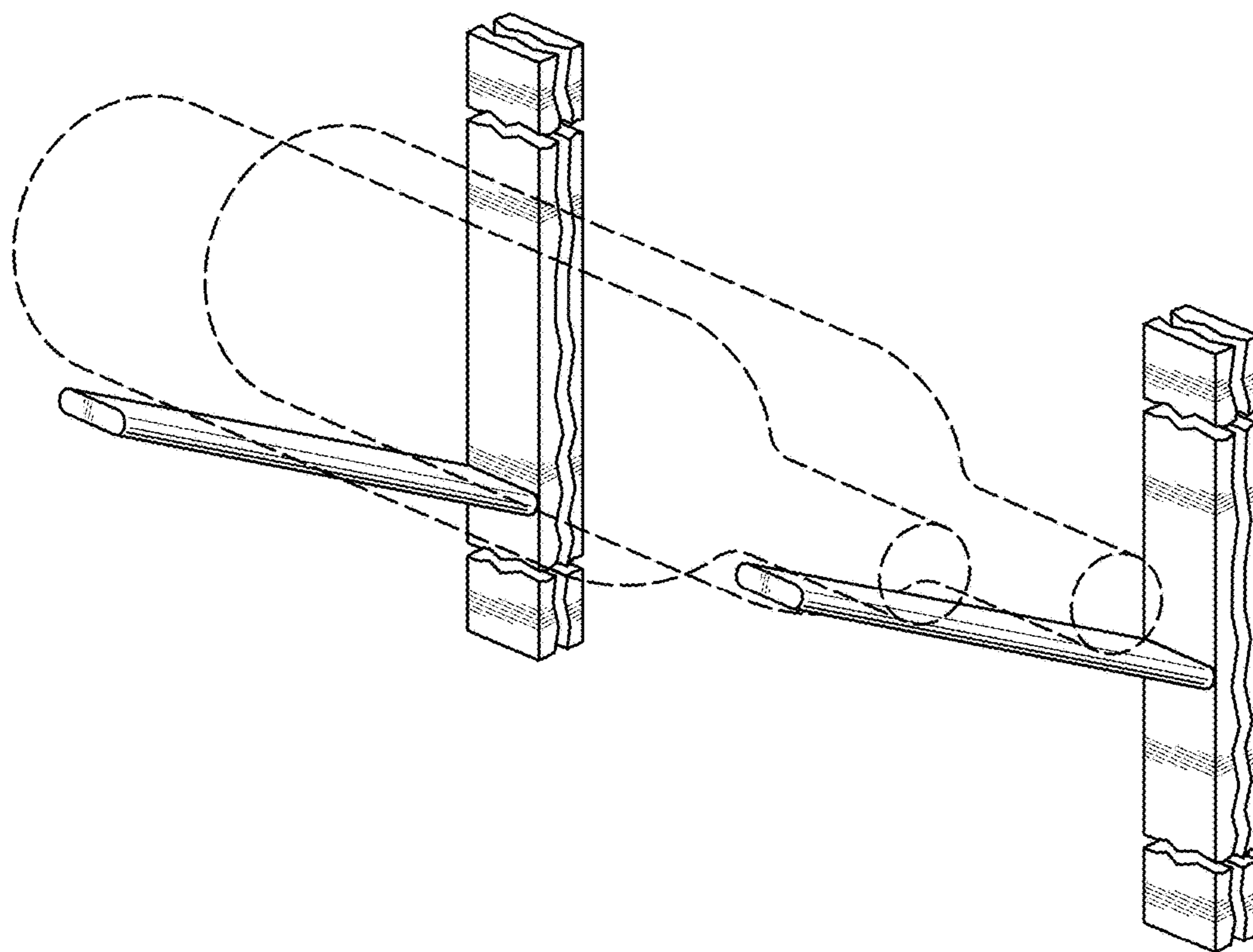


FIG. 19



**FIG. 20**



FIG. 21

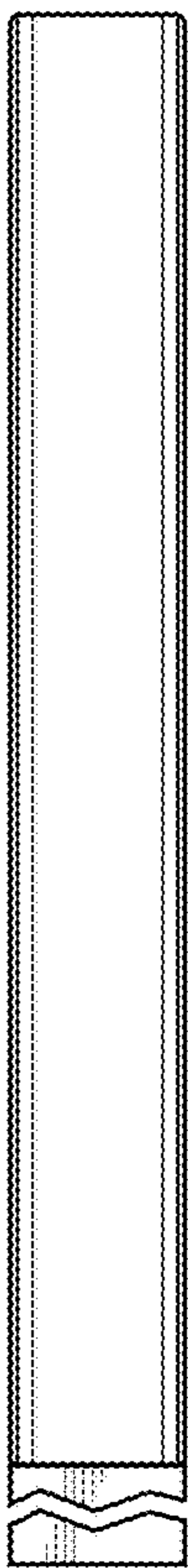
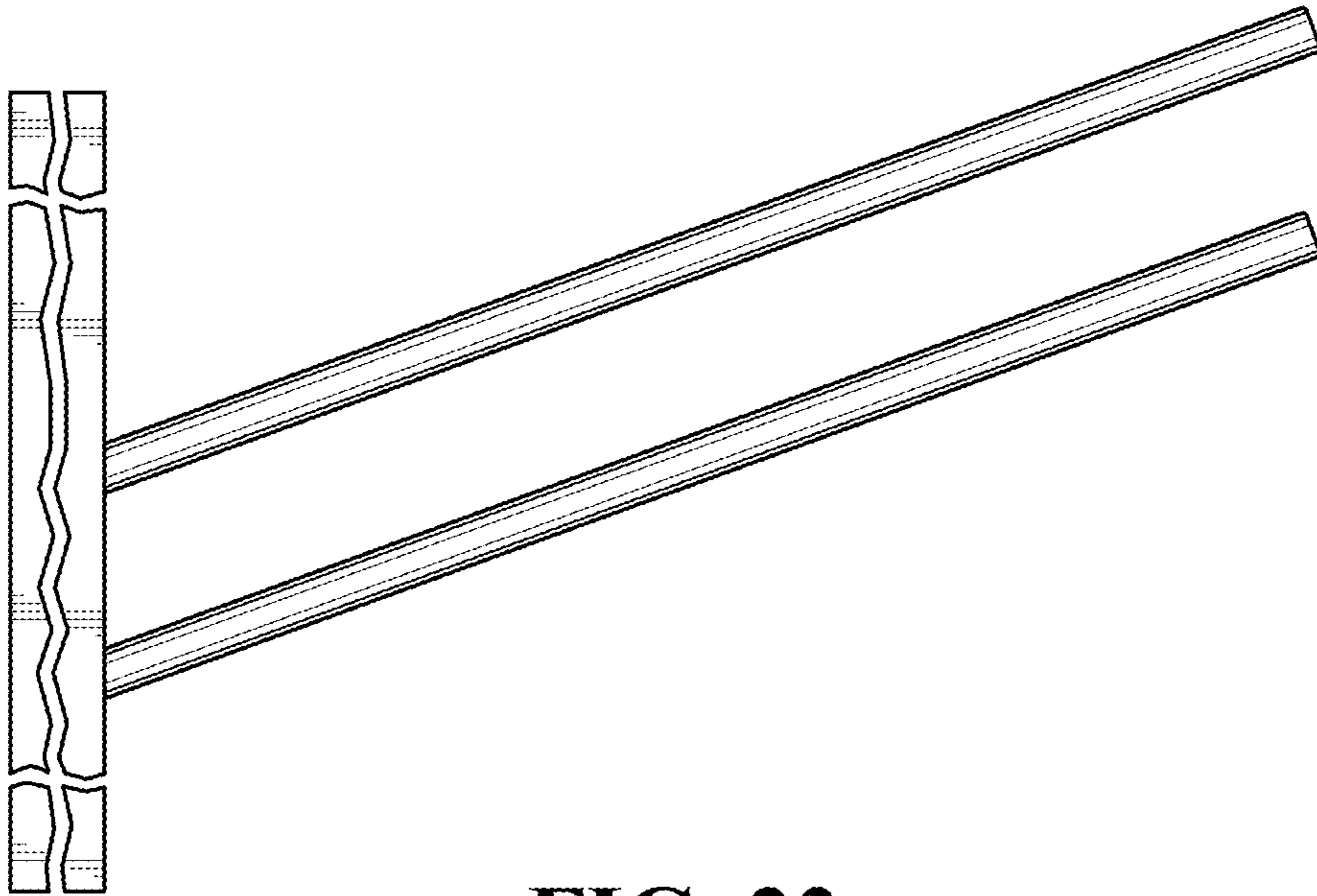
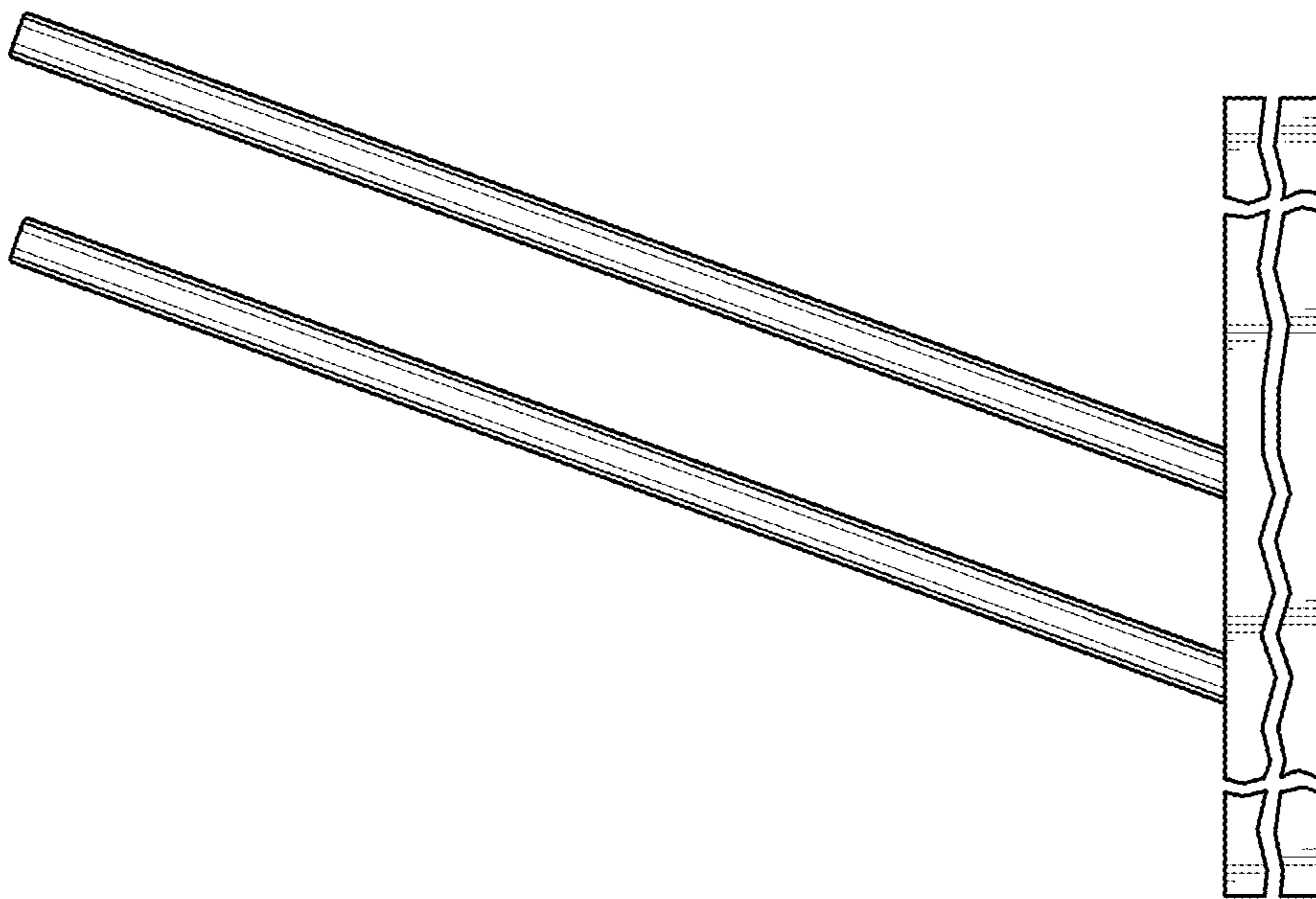


FIG. 22



**FIG. 23**



**FIG. 24**