



US00D848799S

(12) **United States Design Patent** (10) **Patent No.:** **US D848,799 S**  
**Appelbaum** (45) **Date of Patent:** **\*\* May 21, 2019**

(54) **SILICONE SLEEVE FOR A CONTAINER**

(71) Applicant: **Alaina Appelbaum**, Brooklyn, NY (US)

(72) Inventor: **Alaina Appelbaum**, Brooklyn, NY (US)

(73) Assignee: **HELEN OF TROY LIMITED**, St. Michael (BB)

(\*\*) Term: **15 Years**

(21) Appl. No.: **29/606,427**

(22) Filed: **Jun. 5, 2017**

(51) **LOC (11) Cl.** ..... **09-03**

(52) **U.S. Cl.**  
USPC ..... **D7/624.2**

(58) **Field of Classification Search**  
USPC ..... D7/619.1-625, 607, 608, 624.1, 624.2, D7/605, 622, 529; D9/444, 711, 702, D9/713, 452, 499, 455, 434  
CPC .... A61J 9/08; A61J 1/16; A45C 13/02; A45C 2200/20; A47G 19/2272; A47J 36/06; B65D 23/0871; B65D 23/0892; B65D 81/38; B65D 81/3876; B65D 23/08; B65D 23/0842; B65D 23/0885  
See application file for complete search history.

(56) **References Cited**

U.S. PATENT DOCUMENTS

D618,065 S \* 6/2010 Joy ..... D7/607  
D621,259 S \* 8/2010 Joy ..... D9/444  
D629,259 S \* 12/2010 Joy ..... D7/607  
D707,087 S \* 6/2014 Joy ..... D7/607  
D719,788 S \* 12/2014 Soltz ..... D7/624.2  
D761,623 S \* 7/2016 Leimone ..... D7/507  
D772,021 S \* 11/2016 Joy ..... D7/624.1

D772,656 S \* 11/2016 Joy ..... D7/624.1  
D781,113 S \* 3/2017 Kocsis ..... D7/624.2  
D830,786 S \* 10/2018 Miller ..... D7/624.2  
2008/0078824 A1 \* 4/2008 Spriegel ..... B65D 81/3876  
229/403  
2011/0198310 A1 \* 8/2011 Deitelbaum ..... B65D 23/0885  
215/12.1  
2014/0332440 A1 \* 11/2014 Marcus ..... A61J 9/08  
206/591  
2015/0250683 A1 \* 9/2015 Cross ..... A61J 9/06  
206/459.1  
2015/0250684 A1 \* 9/2015 Cross ..... A61J 9/06  
206/459.1  
2015/0359366 A1 \* 12/2015 Yan ..... A47G 23/0216  
215/395  
2017/0101244 A1 \* 4/2017 Tavares ..... B65D 81/022

\* cited by examiner

*Primary Examiner* — Michelle E. Wilson

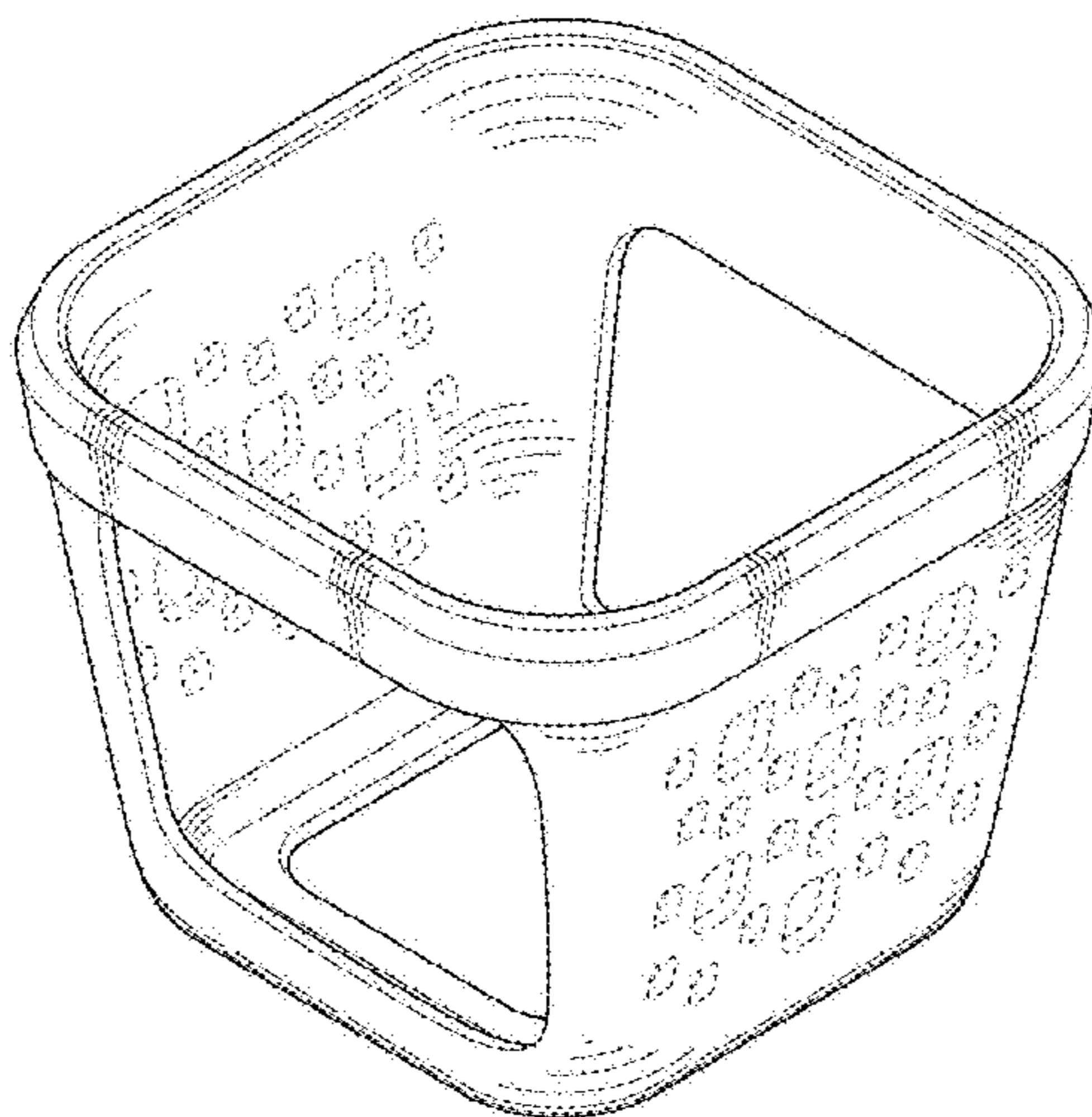
(57) **CLAIM**

The ornamental design for a silicone sleeve for a container, as shown, and described.

**DESCRIPTION**

FIG. 1 is a perspective view of the silicone sleeve for a container;  
FIG. 2 is a right side view of the silicone sleeve for a container (with the left side a mirror image thereof);  
FIG. 3 is a front side view of the silicone sleeve for a container (with the rear side a mirror image thereof);  
FIG. 4 is a top view of the silicone sleeve for a container;  
FIG. 5 is a bottom view of the silicone sleeve for a container;  
and,  
FIG. 6 is a perspective view of the silicone sleeve for a container in a use environment.  
The broken lines depict environment and form no part of the claimed design.

**1 Claim, 6 Drawing Sheets**



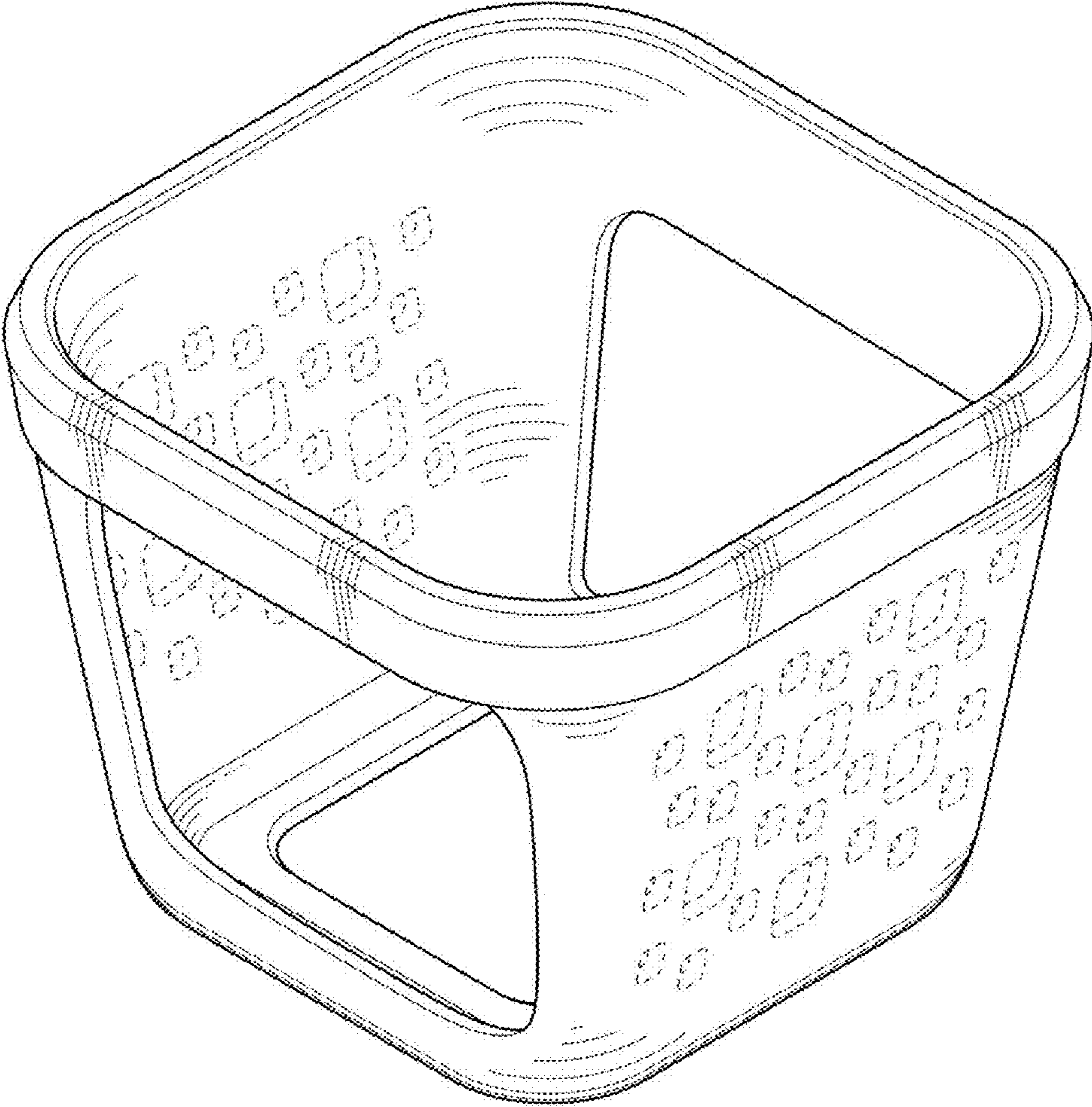


FIG. 1

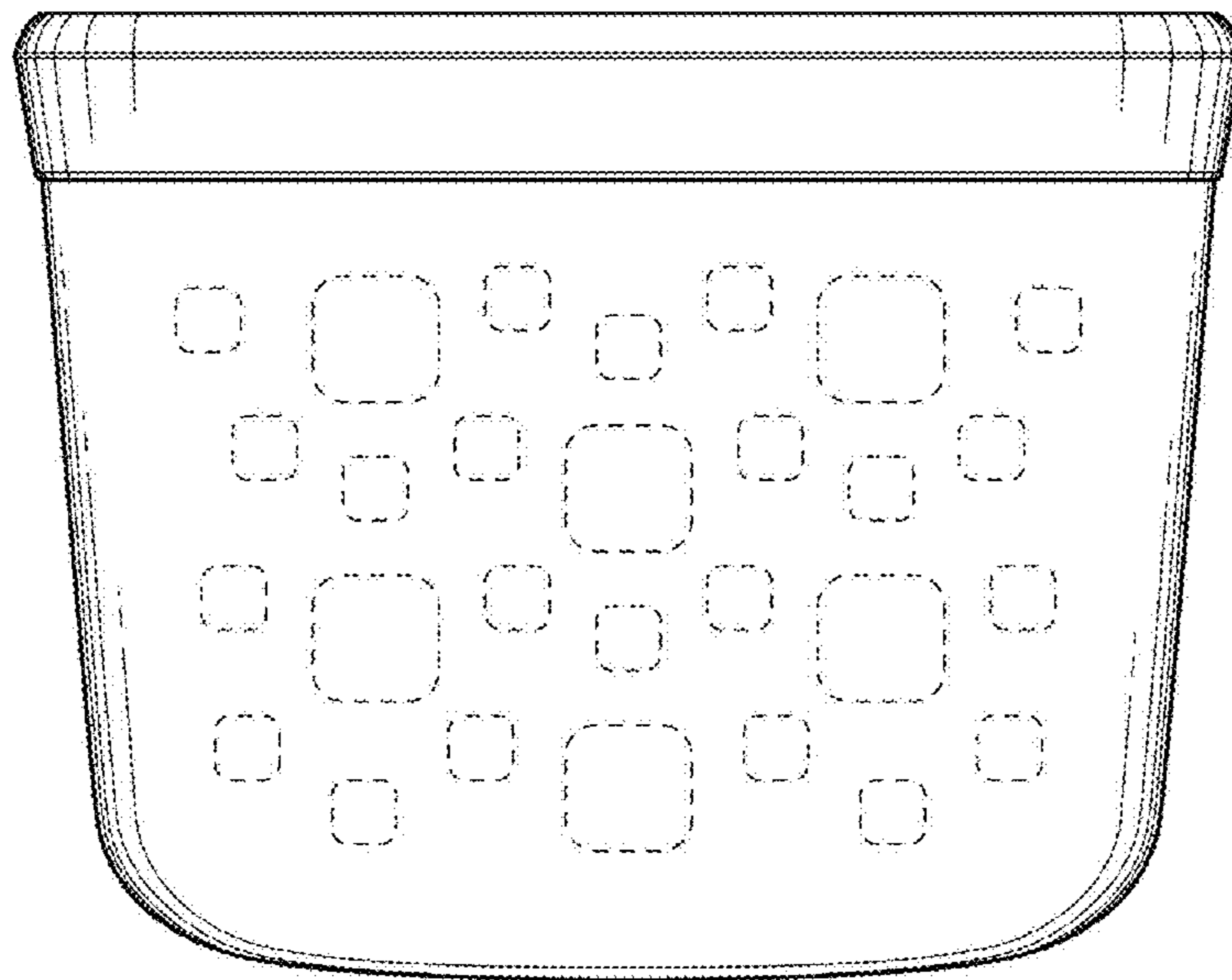


FIG. 2

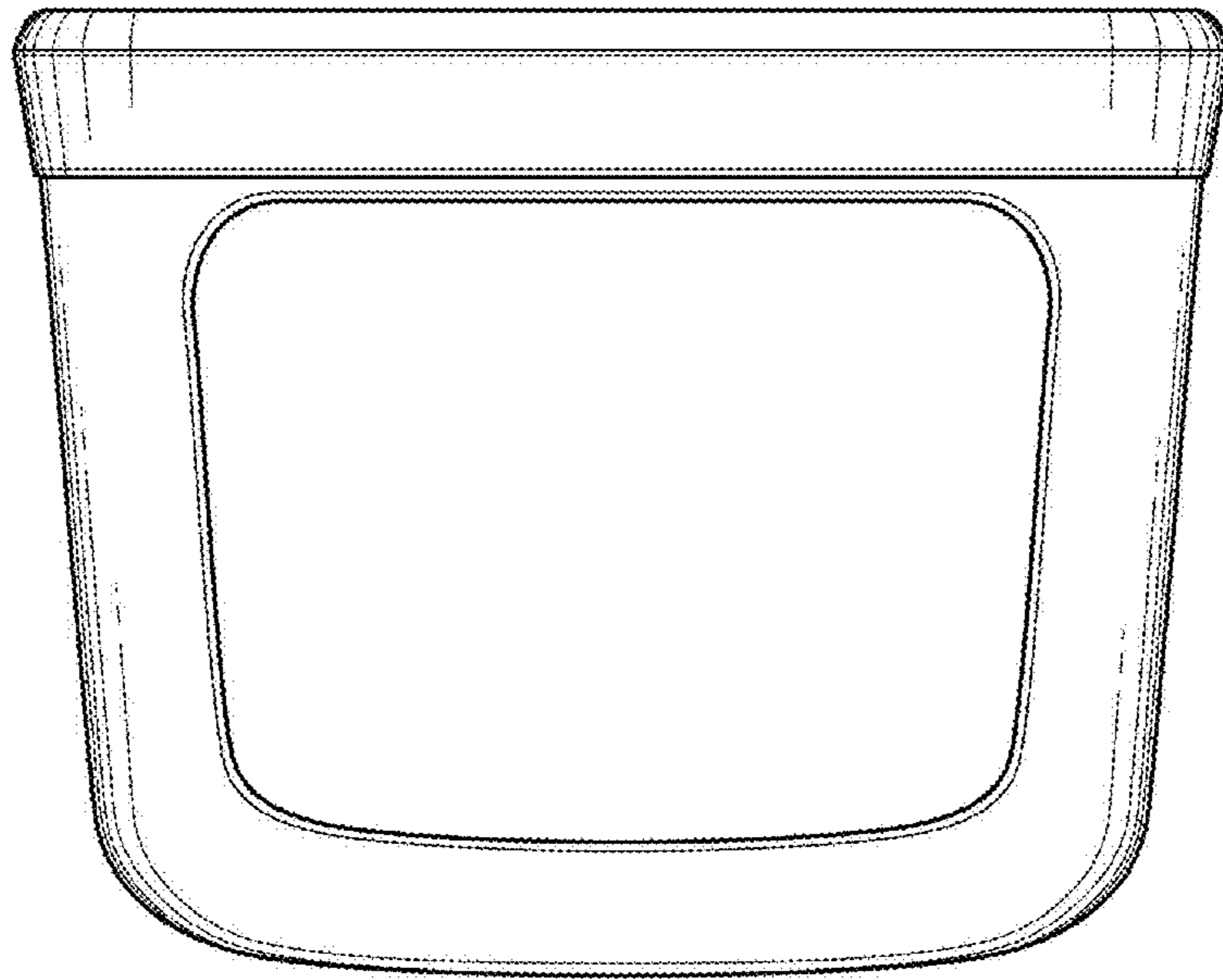


FIG. 3

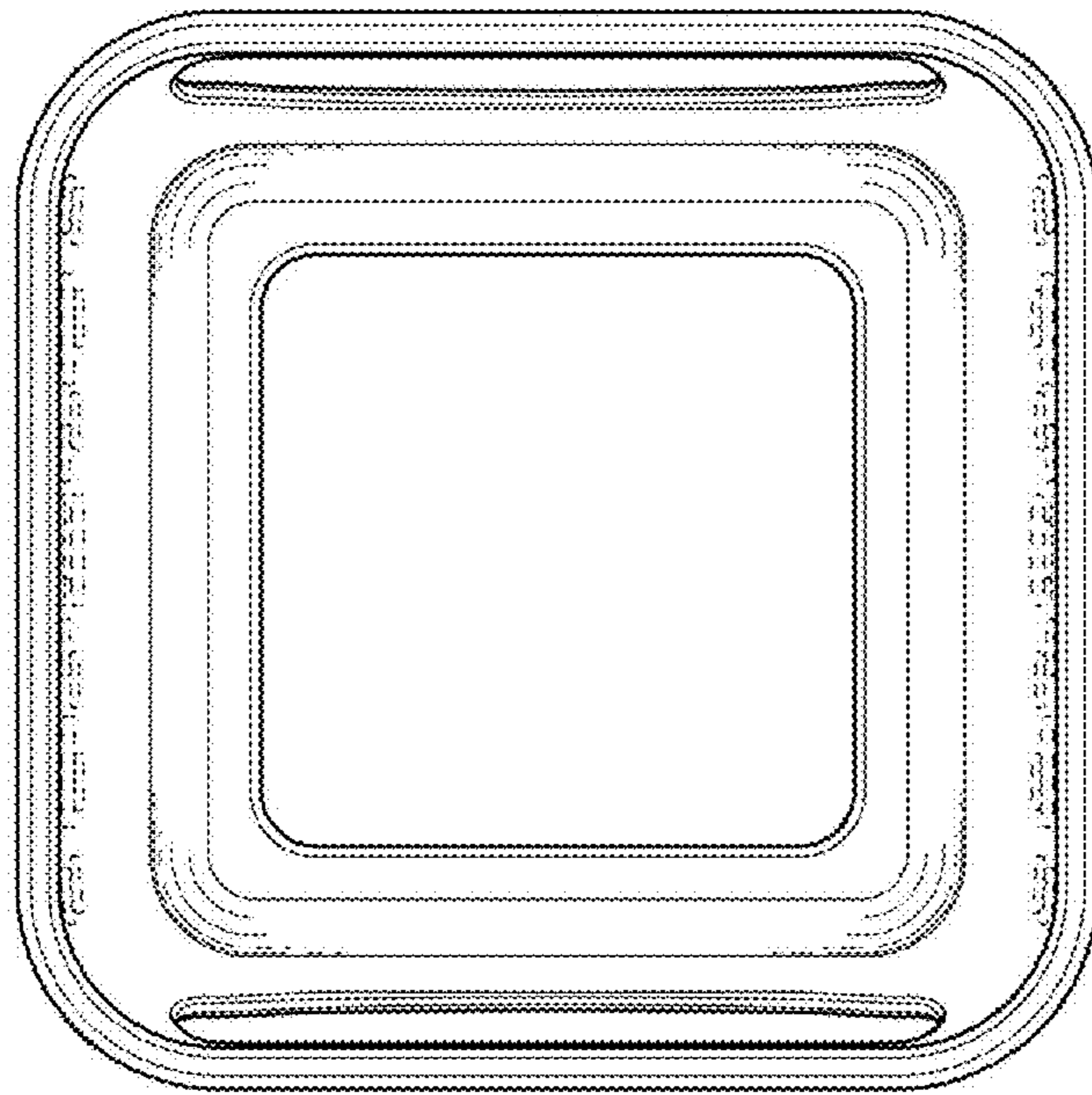


FIG. 4

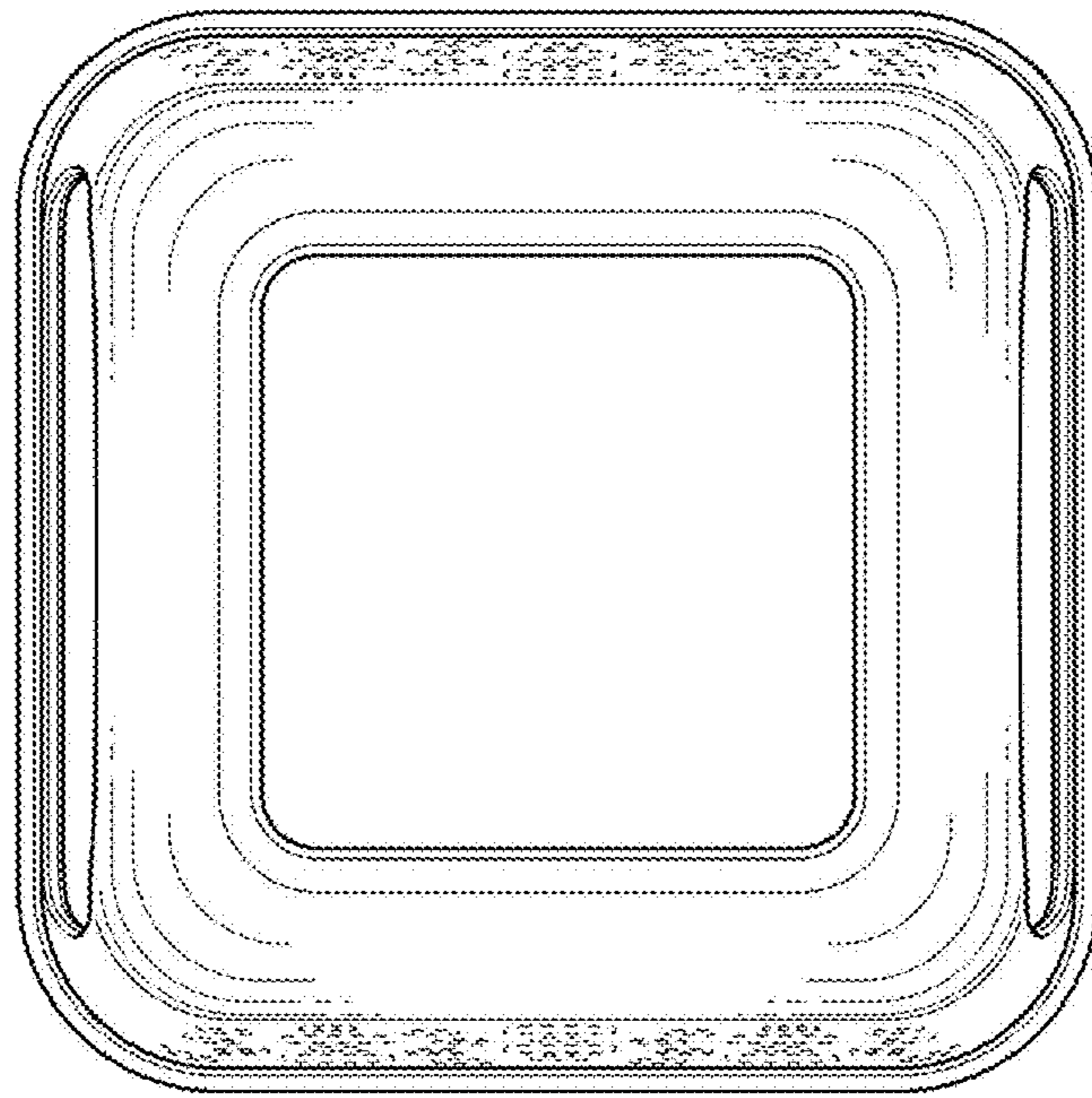


FIG. 5

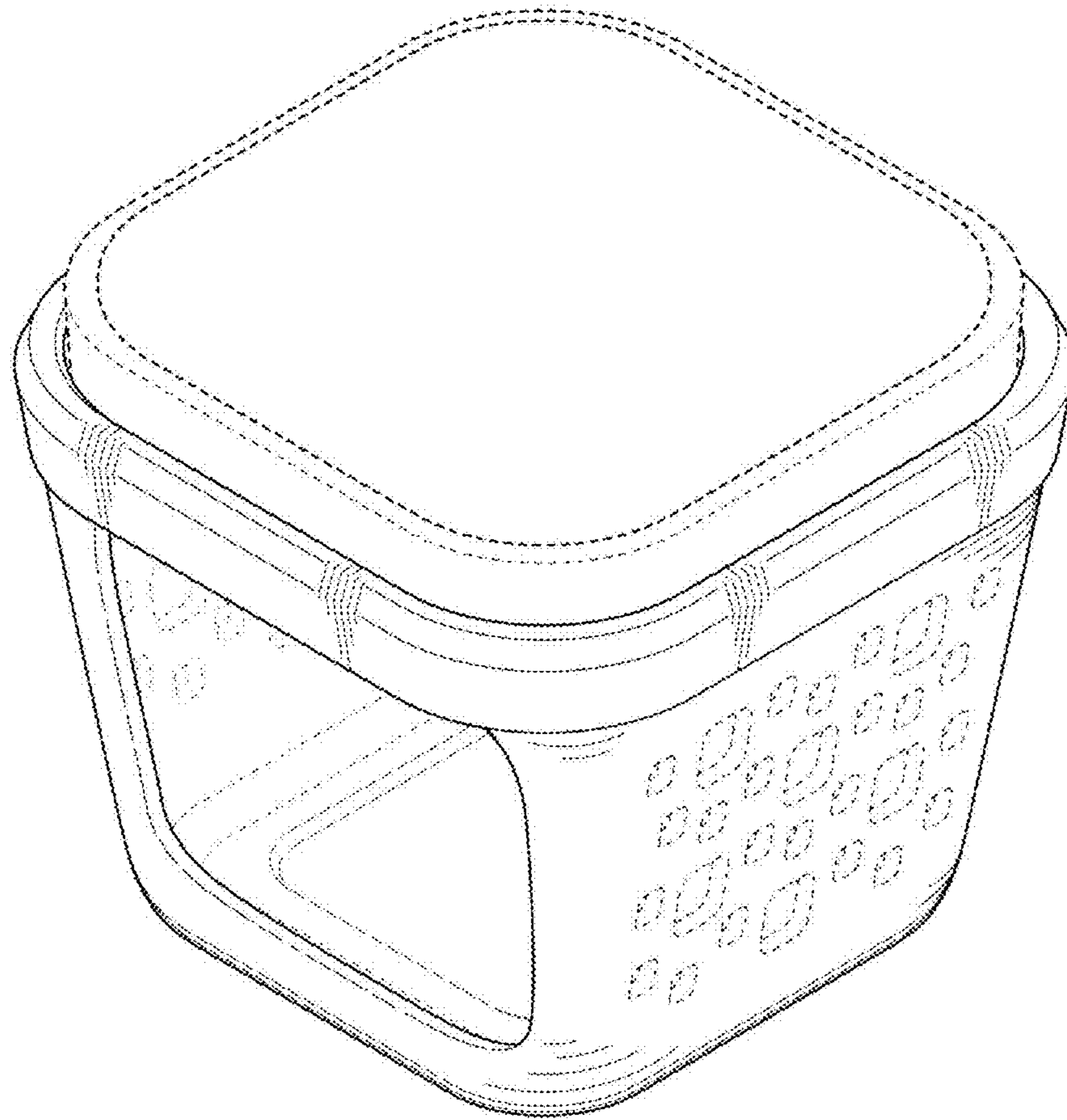


FIG. 6