



US00D848795S

(12) **United States Design Patent** (10) **Patent No.:** **US D848,795 S**
Butler (45) **Date of Patent:** **** May 21, 2019**

(54) **TIERED SERVING TRAY WITH
REMOVABLE CONDIMENT SERVING
TRACKS**

FOREIGN PATENT DOCUMENTS

DE DT931462 8/1955

(71) Applicant: **Brian Butler**, Corsicana, TX (US)

OTHER PUBLICATIONS

(72) Inventor: **Brian Butler**, Corsicana, TX (US)

Large Snack Tray: Announced Jul. 19, 2011 [online], site visited [Dec. 26, 2017]. Available from Internet URL: http://www.stargatecinema.com/large-snack-tray.html#link_feedback.*

(**) Term: **15 Years**

(Continued)

(21) Appl. No.: **29/569,300**

Primary Examiner — Jennifer Rivard

(22) Filed: **Jun. 24, 2016**

Assistant Examiner — Catherine S Posthauer

(51) **LOC (11) Cl.** **07-99**

(74) *Attorney, Agent, or Firm* — Wei Wei Jeang; Grable Martin Fulton PLLC

(52) **U.S. Cl.**

USPC **D7/553.6**; D7/550.1

(58) **Field of Classification Search**

USPC D3/20, 200, 201, 272, 273, 304, D3/309-315, 318, 319, 901, 903, 904; D6/515-525, 532, 536, 672, 677, 683, D6/704, 707.15; D7/323, 339, 347, 354, D7/355, 356, 359, 360, 362, 392.1, 396.1, D7/412, 500, 505, 549, 550.1, 552.1, D7/552.2, 553.1, 553.4, 553.5, 553.6, D7/553.7, 554.1, 600.1, 601, 602, 614, D7/615; D9/414, 415, 416, 418, D9/428-430, 500, 630, 682, 686, 688, D9/690, 692, 703, 737, 738, 740, 741, D9/744, 755-762, 904; D19/1, 27, 78, D19/102, 103, 106, 107; D24/127, 128, D24/216, 224, 227, 228, 229, 230; D21/502, 524, 525, 532, 832; D28/61, D28/73, 76; D32/55, 58

(Continued)

(57) **CLAIM**

The ornamental design for a tiered serving tray with removable condiment serving racks, as shown and described.

DESCRIPTION

FIG. 1 is a front perspective view of a tiered serving tray with removable condiment serving racks showing my new design;

FIG. 2 is another front perspective view thereof with the warming drawer pulled out;

FIG. 3 is another front perspective view thereof, with the condiment serving racks removed for clarity of surface detail;

FIG. 4 is a bottom perspective view thereof;

FIG. 5 is a top plan view of the article as shown from FIG. 1;

FIG. 6 is a bottom plan view thereof;

FIG. 7 is a side view thereof;

FIG. 8 is another side view thereof;

FIG. 9 is a front view thereof; and,

FIG. 10 is a back view of thereof.

The broken lines are shown for the purpose of illustrating parts of the article that form no part of the claim.

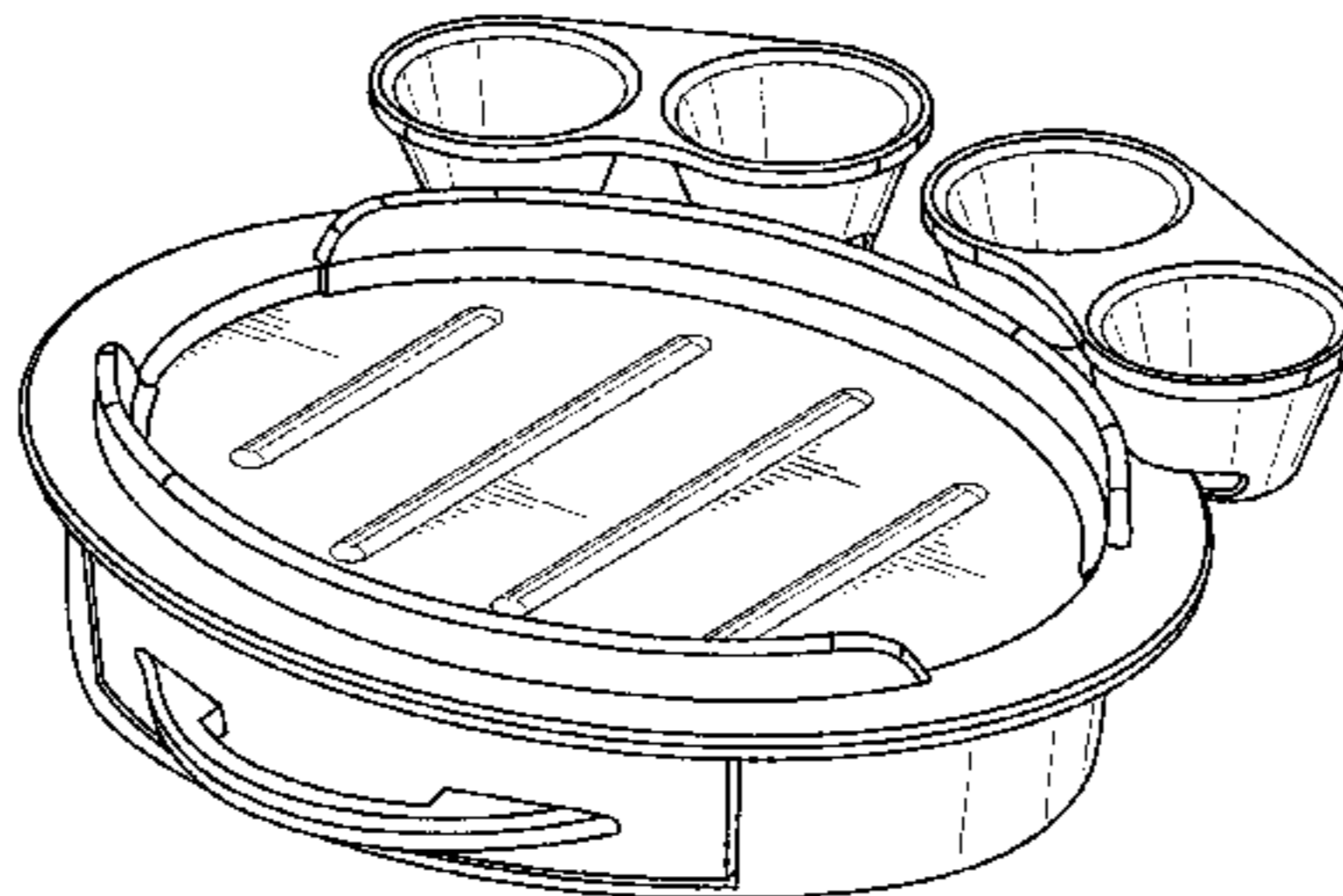
(56) **References Cited**

U.S. PATENT DOCUMENTS

D158,397 S 5/1950 Liebel
D169,817 S 6/1953 Klein

(Continued)

1 Claim, 7 Drawing Sheets



(58) **Field of Classification Search**

CPC A47C 7/70; A47C 1/12; A47C 7/62; B65D 1/36; B65D 1/243; B65D 77/00; B65D 77/20; B65D 77/2024; B65D 77/225; B65D 77/245; B65D 81/025; B65D 81/18; B65D 81/3407; B65D 81/3438; B65D 81/3846; B65D 81/3865; B65D 85/36; B65D 2543/00194; B65D 2543/00296; B65D 2543/00629; B65D 2543/0074; B65D 2543/00842; A45J 37/0704; A23L 13/00; A23L 5/15; A47G 19/00; A47G 19/02; A47G 21/001; A47G 23/00; A47G 23/06; A47G 23/0225; A47J 37/00; A47J 37/01; A47J 37/04; A47J 37/06; A47J 37/10; A47J 37/12; A47J 37/101; A47J 37/103; A47J 37/108; A47J 37/1204; A47J 37/0704; A47J 43/00; A47J 36/025; A47J 36/06; A47J 36/12; A47J 45/061; A47J 45/065; A47J 45/071; A47J 45/08; H05B 6/06; H05B 6/12; A23V 2002/00; Y10S 224/926; B60N 3/106; A45C 11/20; A23B 5/00; A23B 5/005; A23B 5/0052

See application file for complete search history.

(56) **References Cited**

U.S. PATENT DOCUMENTS

D183,165 S * 7/1958 Fredrickson D7/553.1
 3,610,884 A 10/1971 Evans
 3,636,299 A 1/1972 Stewart
 3,670,938 A * 6/1972 Brocato A47G 19/06
 206/562
 D230,810 S 3/1974 Ryan
 4,010,736 A 3/1977 Sacomani et al.
 4,013,869 A 3/1977 Orts
 D246,278 S 11/1977 Forselius
 D297,897 S 10/1988 Stackhouse

4,782,745 A 11/1988 George
 4,834,470 A 5/1989 Pinnow et al.
 D305,197 S 12/1989 Valdes
 5,129,543 A 7/1992 White
 D368,627 S 4/1996 McSpadden
 D398,480 S * 9/1998 Panta Chica D7/553.6
 D428,809 S * 8/2000 Adair D7/504
 D439,114 S * 3/2001 Dini D7/553.1
 6,264,026 B1 * 7/2001 Bradley A47G 19/065
 206/217
 6,268,592 B1 7/2001 Hu et al.
 6,588,655 B2 7/2003 Stapleton
 D516,382 S * 3/2006 King D7/553.8
 D531,054 S * 10/2006 Sagel D9/424
 D547,583 S * 7/2007 Dretzka D6/536
 D578,353 S * 10/2008 LaMasney D7/553.6
 D605,899 S 12/2009 Meether et al.
 D631,696 S * 2/2011 Lipfert D7/505
 8,674,269 B2 3/2014 Humphrey et al.
 D708,062 S * 7/2014 Musi Navarro D7/702
 D795,016 S * 8/2017 Crawford D7/553.8
 2003/0066776 A1 * 4/2003 Schiltz B65D 1/36
 206/445
 2005/0035109 A1 2/2005 Thomas
 2006/0196803 A1 9/2006 Nash et al.
 2006/0260473 A1 11/2006 Nybakke et al.
 2014/0263365 A1 * 9/2014 Tollen A47G 19/065
 220/575
 2015/0182072 A1 * 7/2015 Steininger A47J 37/0694
 99/400
 2016/0113444 A1 * 4/2016 Butler A47J 39/006
 219/387

OTHER PUBLICATIONS

Party Pal Cup, Plate, and Utensil Holder: Site Visited Dec. 26, 2017 [online]. Available from Internet URL: <https://www.kitchencollection.com/the-original-party-pal-cup-plate-utensil-all-in-one-tray-and-holder-blue-tpp20032>.
 Concession Tables: Site Visited Dec. 27, 2017 [online]. Available from Internet URL: <http://www.caddyproducts.com/theatre.php>.

* cited by examiner

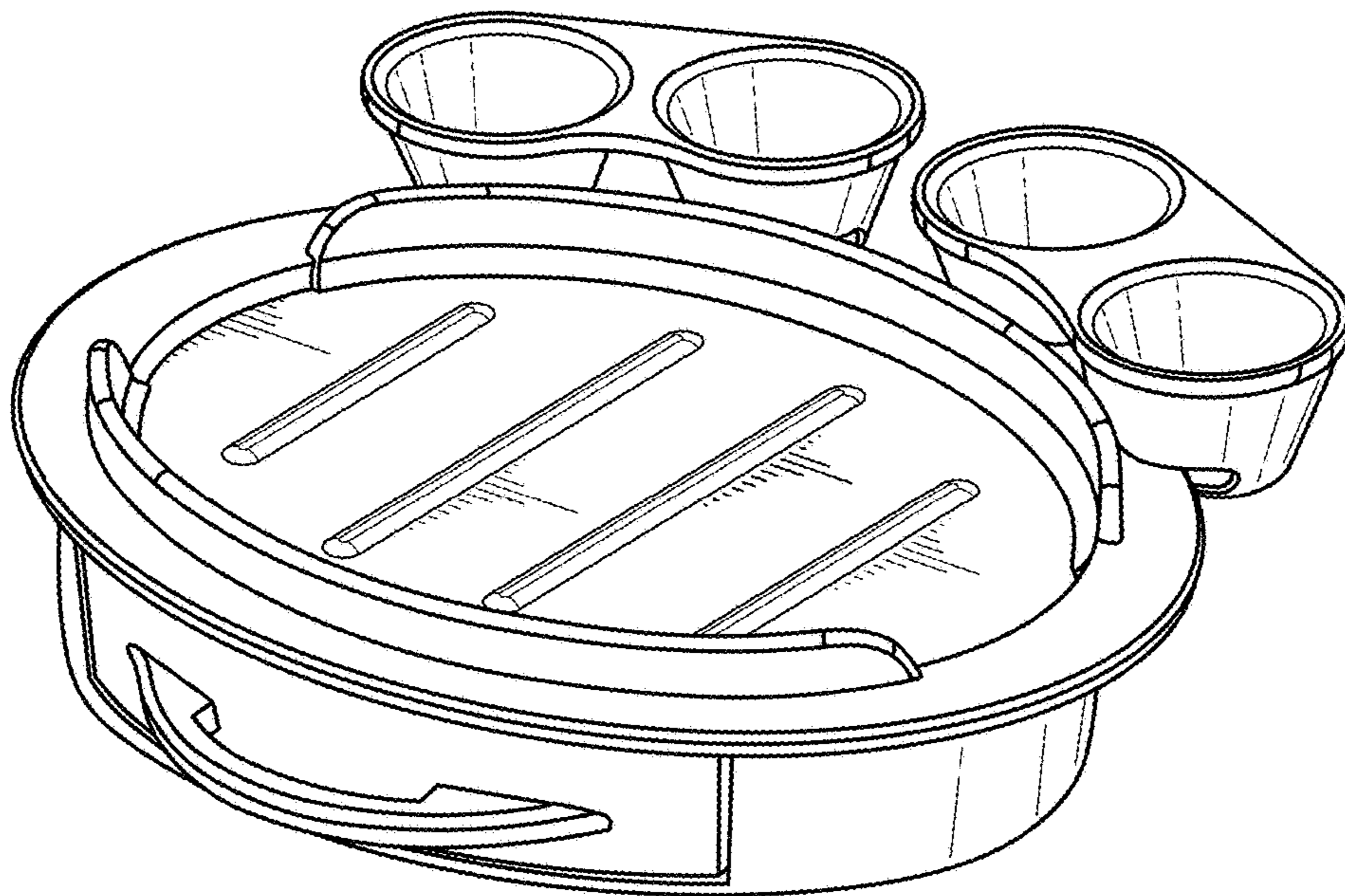


FIG. 1

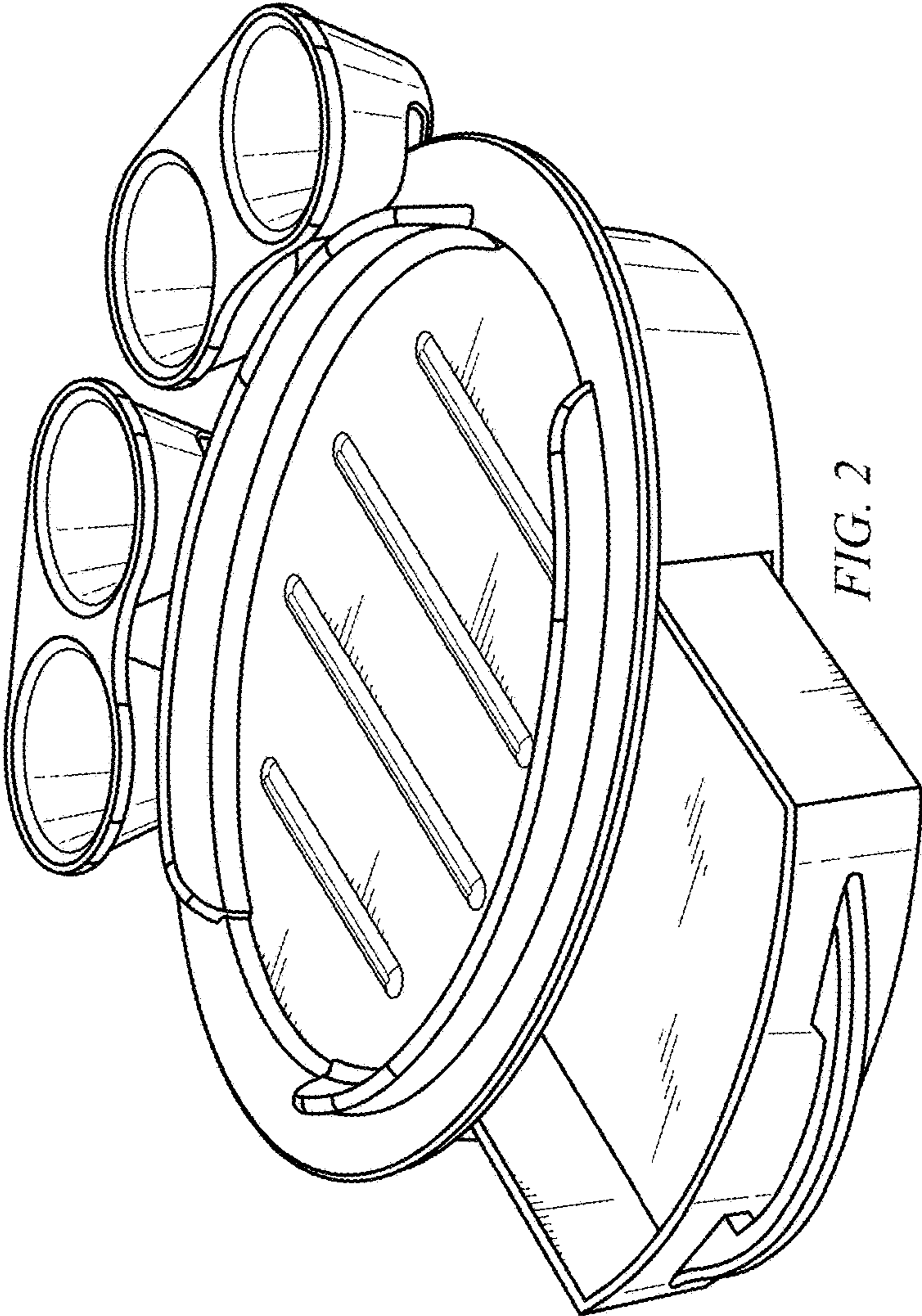


FIG. 2

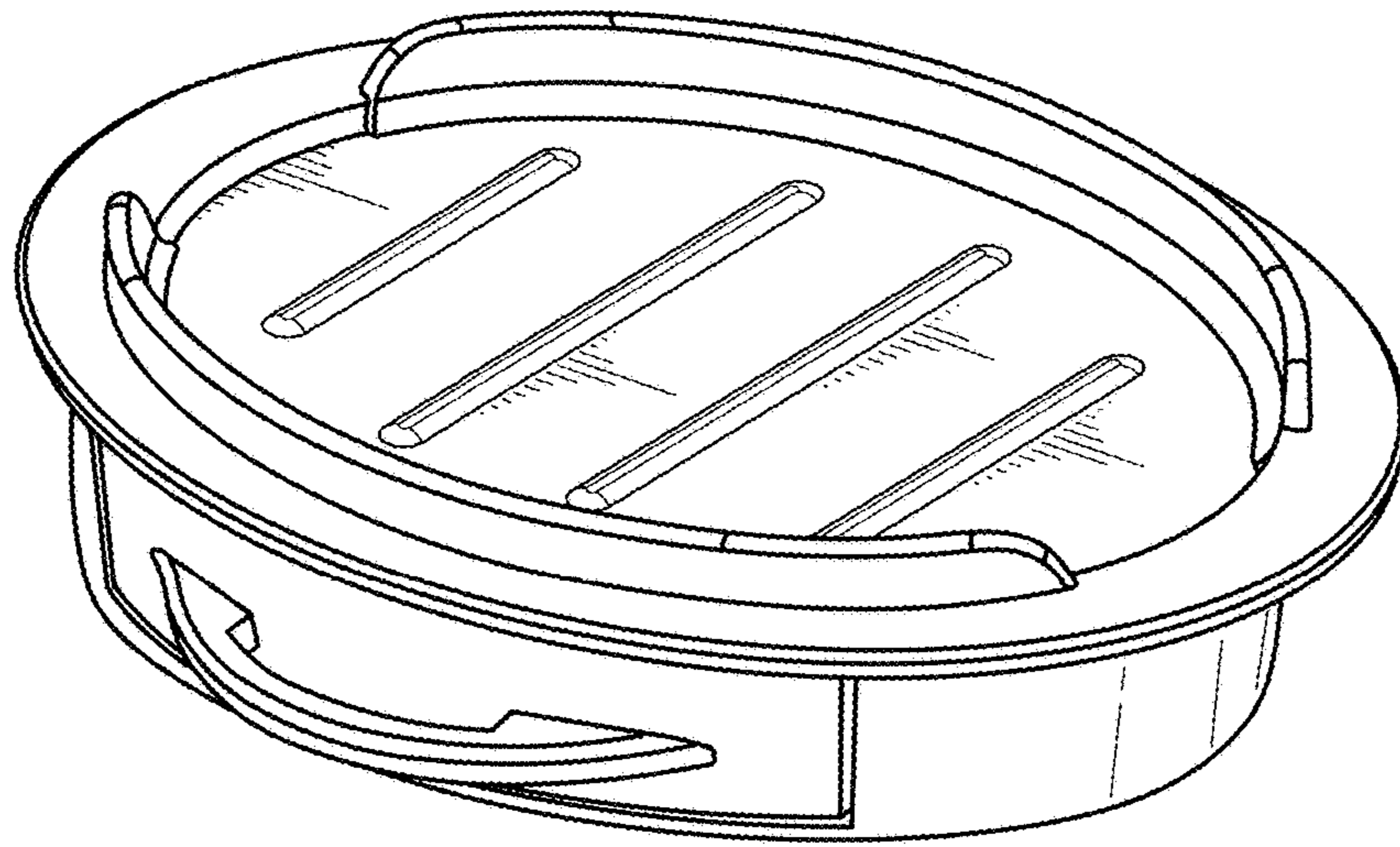


FIG. 3

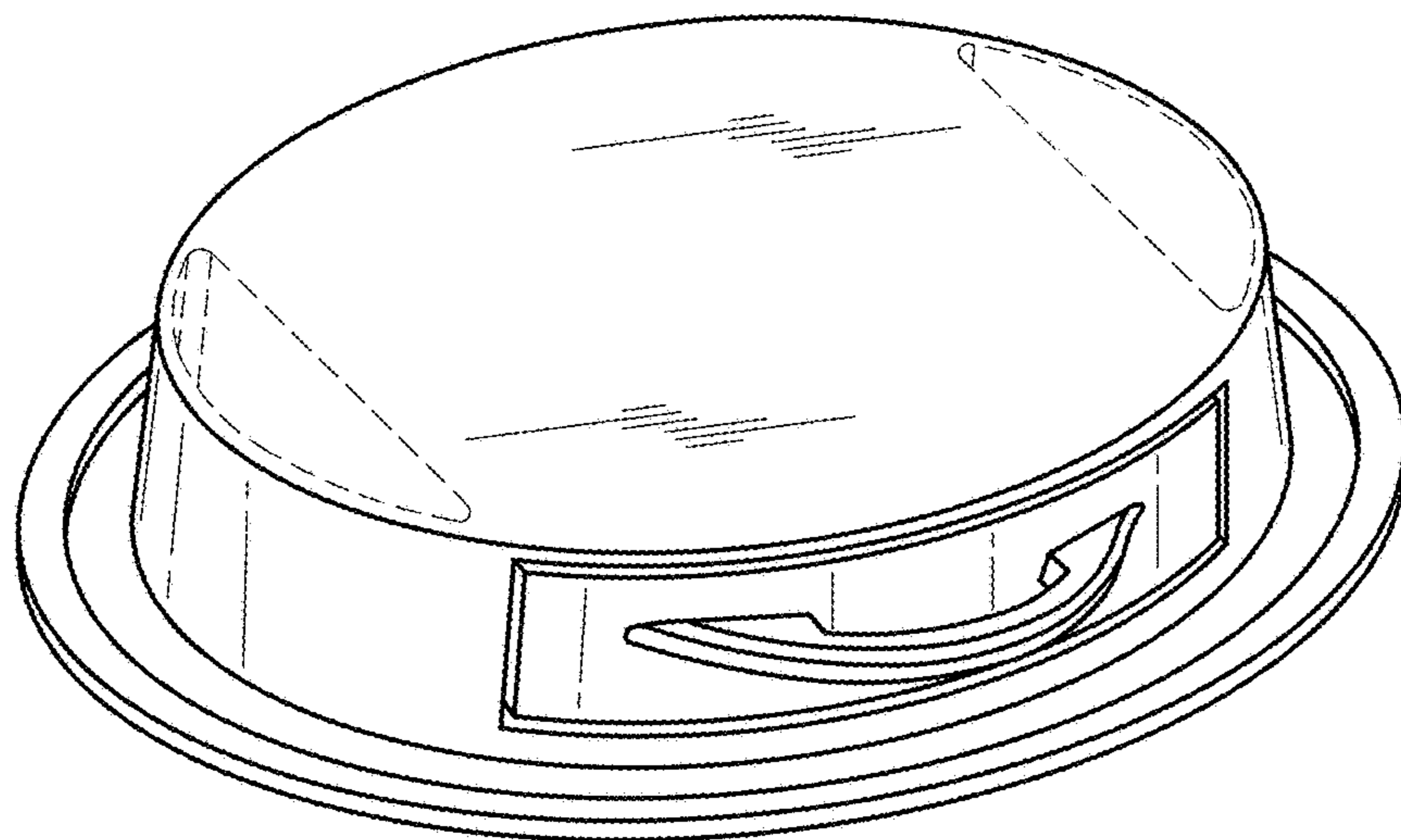


FIG. 4

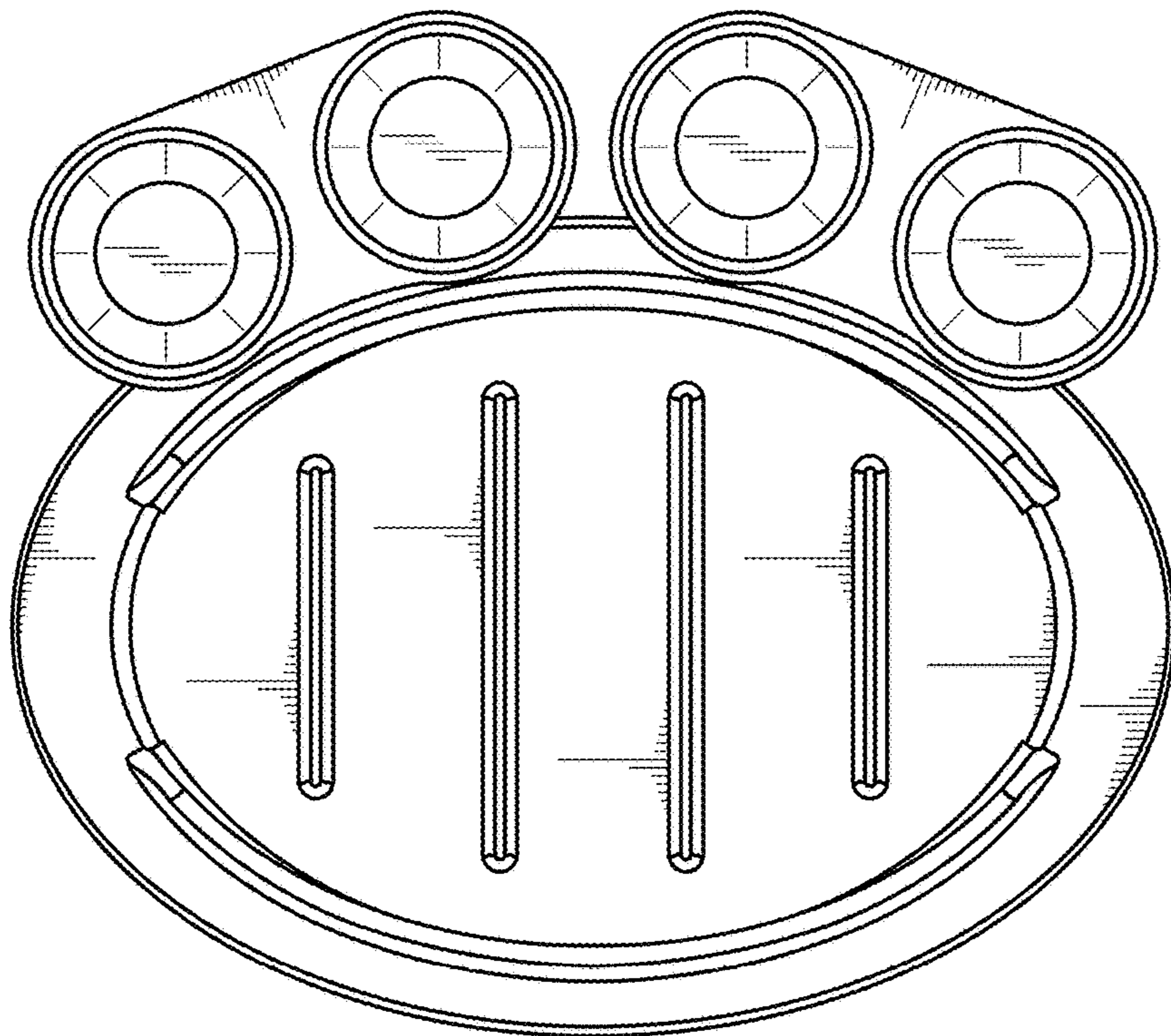


FIG. 5

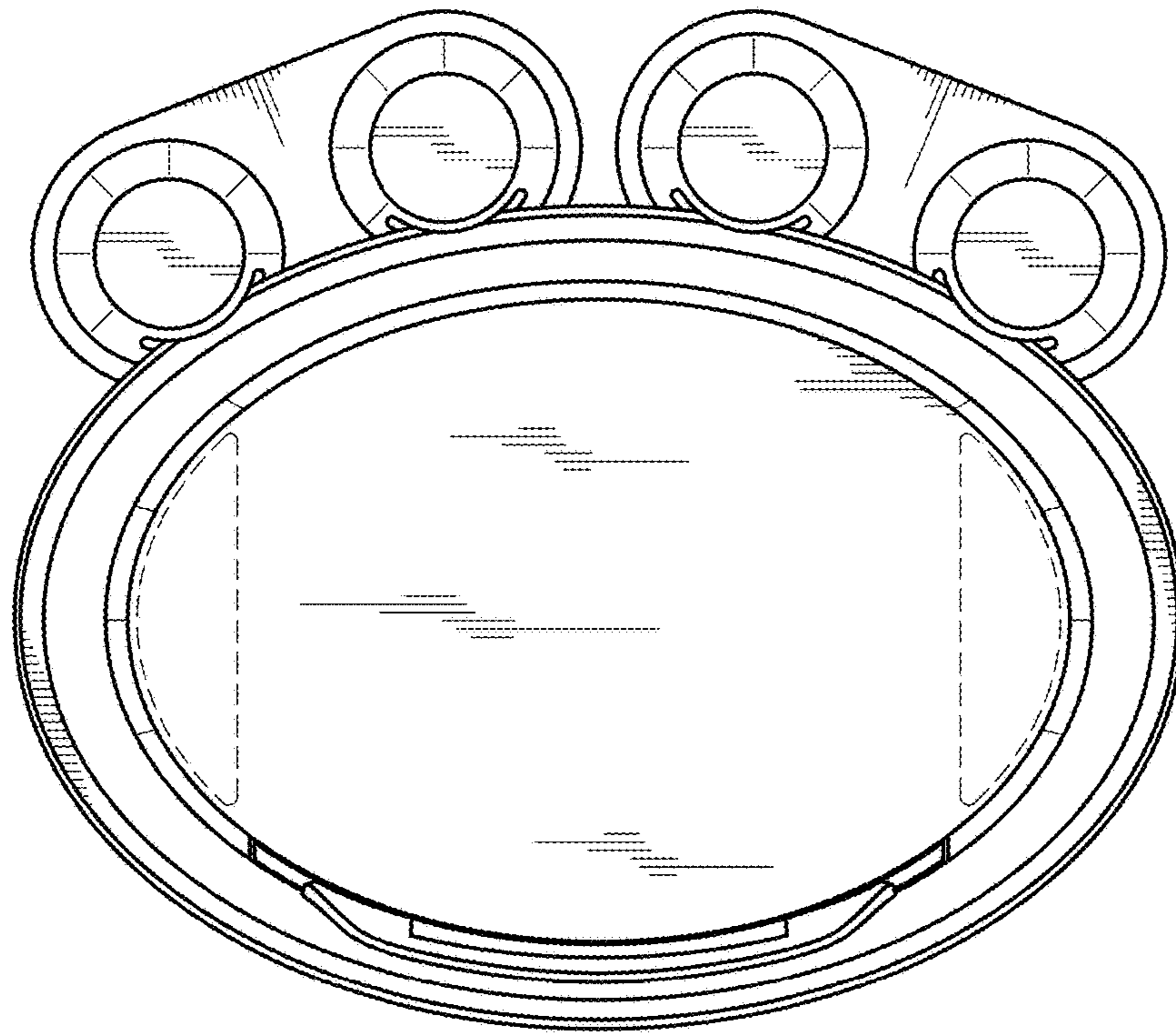


FIG. 6

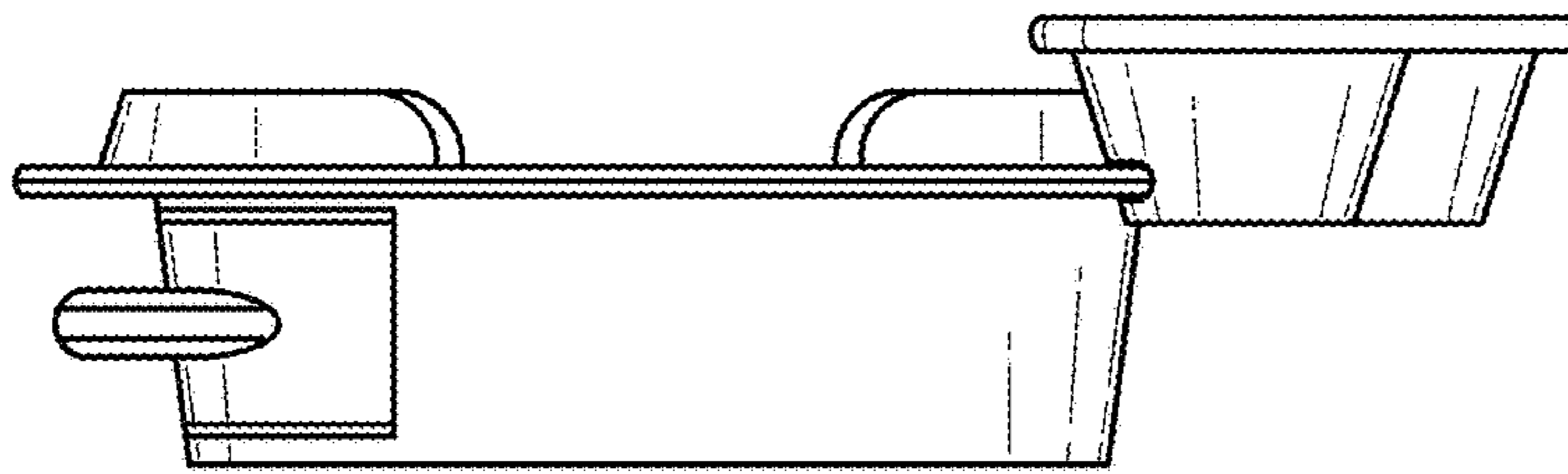


FIG. 7

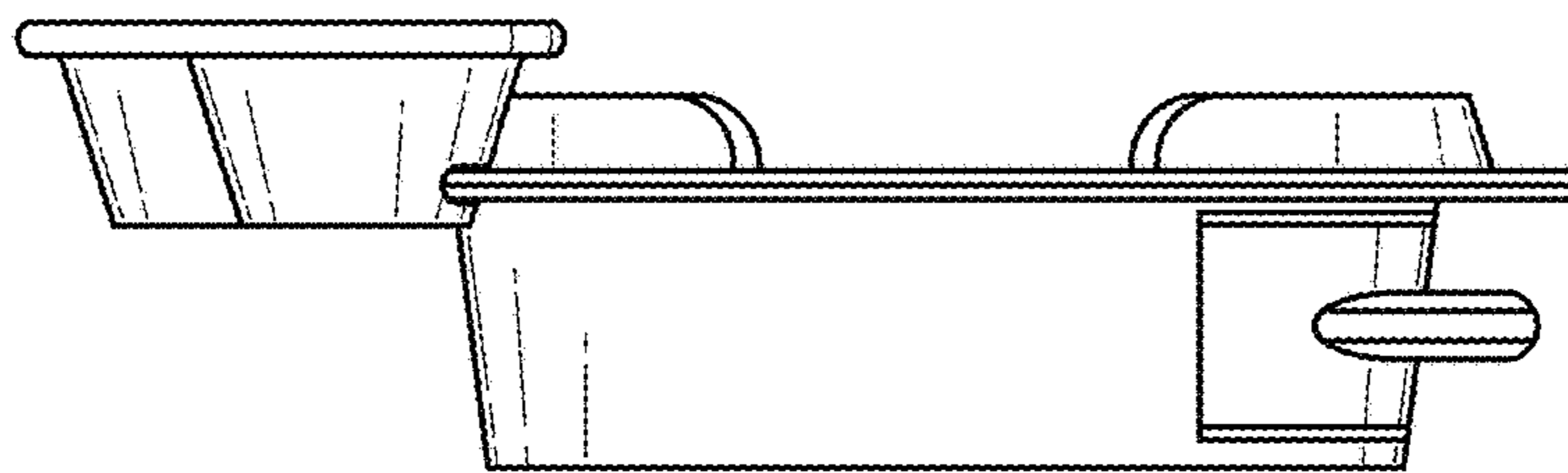


FIG. 8

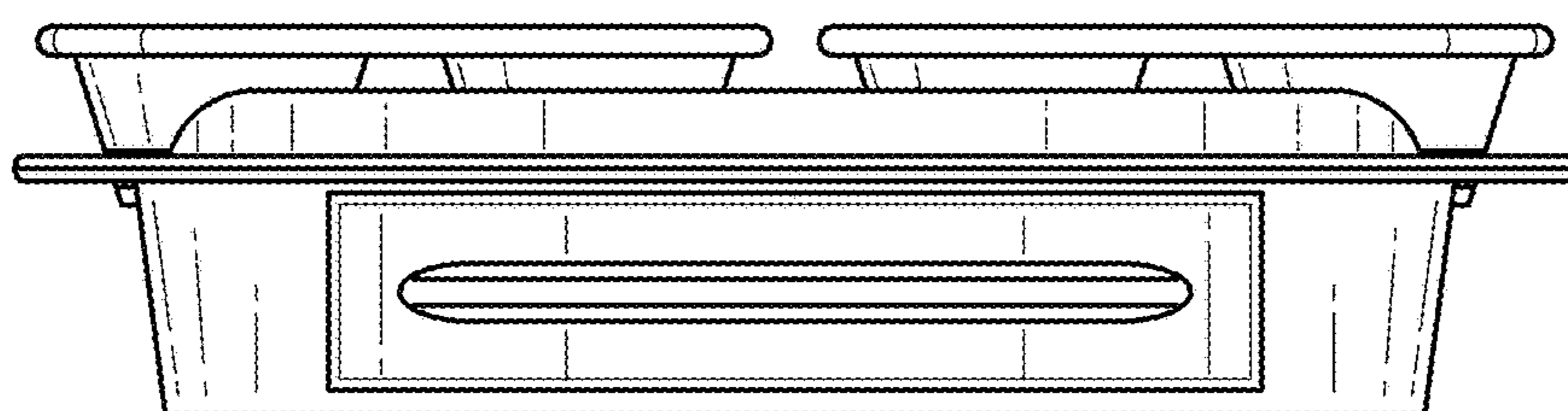


FIG. 9

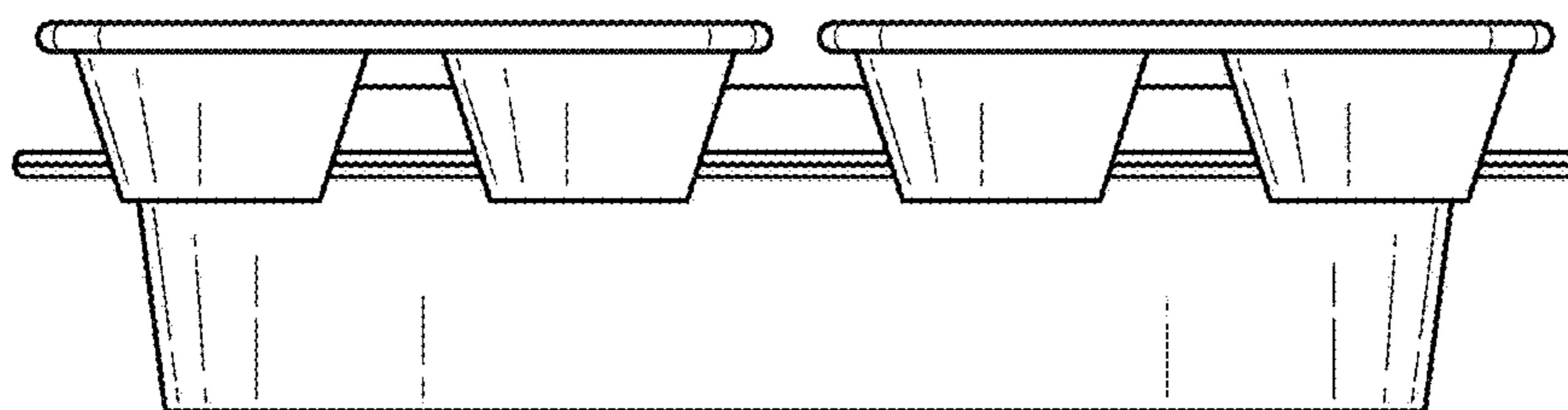


FIG. 10