



US00D848790S

(12) **United States Design Patent**  
**Bucher**

(10) **Patent No.:** **US D848,790 S**

(45) **Date of Patent:** **\*\* May 21, 2019**

(54) **BEVERAGE DISPENSER**

(71) Applicant: **Societe des Produits Nestlé S.A.**,  
Vevey (CH)

(72) Inventor: **Pauline Bucher**, La Chaux-de-Fonds  
(CH)

(73) Assignee: **Société des Produits Nestlé S.A.**,  
Vevey (CH)

(\*\*) Term: **15 Years**

(21) Appl. No.: **29/603,665**

(22) Filed: **May 11, 2017**

(30) **Foreign Application Priority Data**

Nov. 11, 2016 (CH) ..... 142748

(51) **LOC (11) Cl.** ..... **07-01**

(52) **U.S. Cl.**  
USPC ..... **D7/507; D7/511; D7/532**

(58) **Field of Classification Search**  
USPC ..... D7/507, 509, 510, 511, 523, 532, 529,  
D7/530, 531, 608, 392.1, 396.2, 396.3,  
D7/213, 395, 376, 305, 300, 624.2, 310;  
D9/502, 503, 504, 429; D28/85, 76, 82;  
D8/393, 397, 330, 346; D25/48.1;  
D21/385; D23/260, 261, 268  
CPC ..... A47G 19/22; A47G 19/2205; A47G  
19/2211; A47G 19/2222; A45F 3/20;  
A45F 3/16; A47J 41/02  
See application file for complete search history.

(56) **References Cited**

**U.S. PATENT DOCUMENTS**

D347,767 S \* 6/1994 Patterson ..... D7/608  
D367,394 S \* 2/1996 Wai ..... D7/305  
D377,293 S \* 1/1997 Husted ..... D7/510  
D399,392 S \* 10/1998 Husted ..... D7/511

D413,223 S \* 8/1999 Choi ..... D7/305  
D425,757 S \* 5/2000 Printz ..... D7/510  
D453,446 S \* 2/2002 Bodum ..... D7/316  
D533,402 S \* 12/2006 Bin ..... D7/510  
D586,182 S \* 2/2009 Trombly ..... D7/509  
D615,359 S \* 5/2010 George ..... D7/510  
D622,546 S \* 8/2010 Bodum ..... D7/510  
D622,547 S \* 8/2010 Carreno ..... D7/510  
D627,196 S \* 11/2010 George ..... D7/510  
D630,038 S \* 1/2011 Englert ..... D7/305  
D688,079 S \* 8/2013 Wang ..... D7/305  
8,544,677 B2 \* 10/2013 Selina ..... B65D 21/0219  
220/254.3  
D721,250 S \* 1/2015 Chen ..... D7/510  
D721,540 S \* 1/2015 Grcic ..... D7/511  
D727,684 S \* 4/2015 Forsyth ..... D7/510  
D745,302 S \* 12/2015 Anglada ..... D7/305

(Continued)

*Primary Examiner* — Marianne N Pandozzi

*Assistant Examiner* — Jae Liang

(74) *Attorney, Agent, or Firm* — Finnegan, Henderson,  
Farabow, Garrett & Dunner LLP

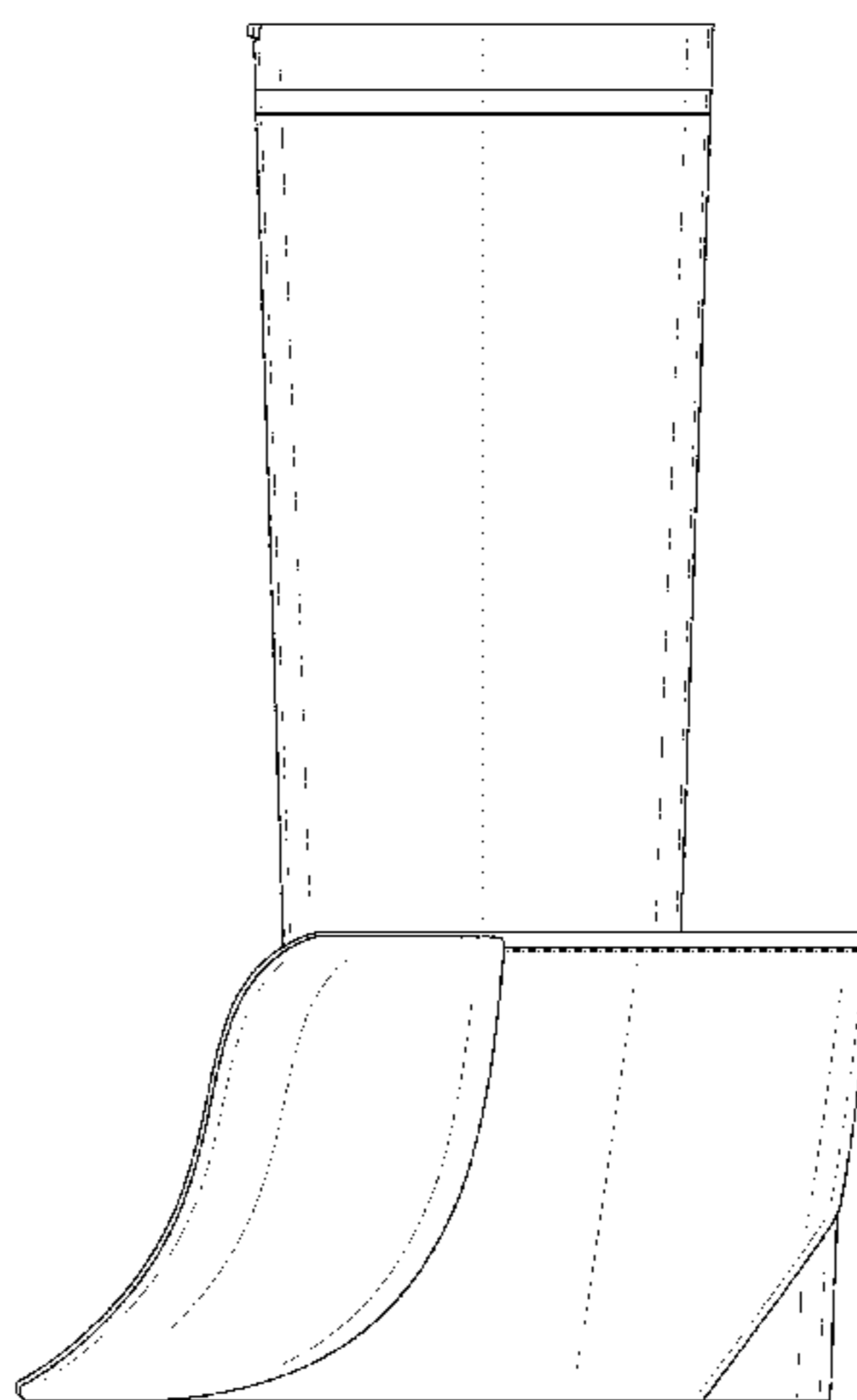
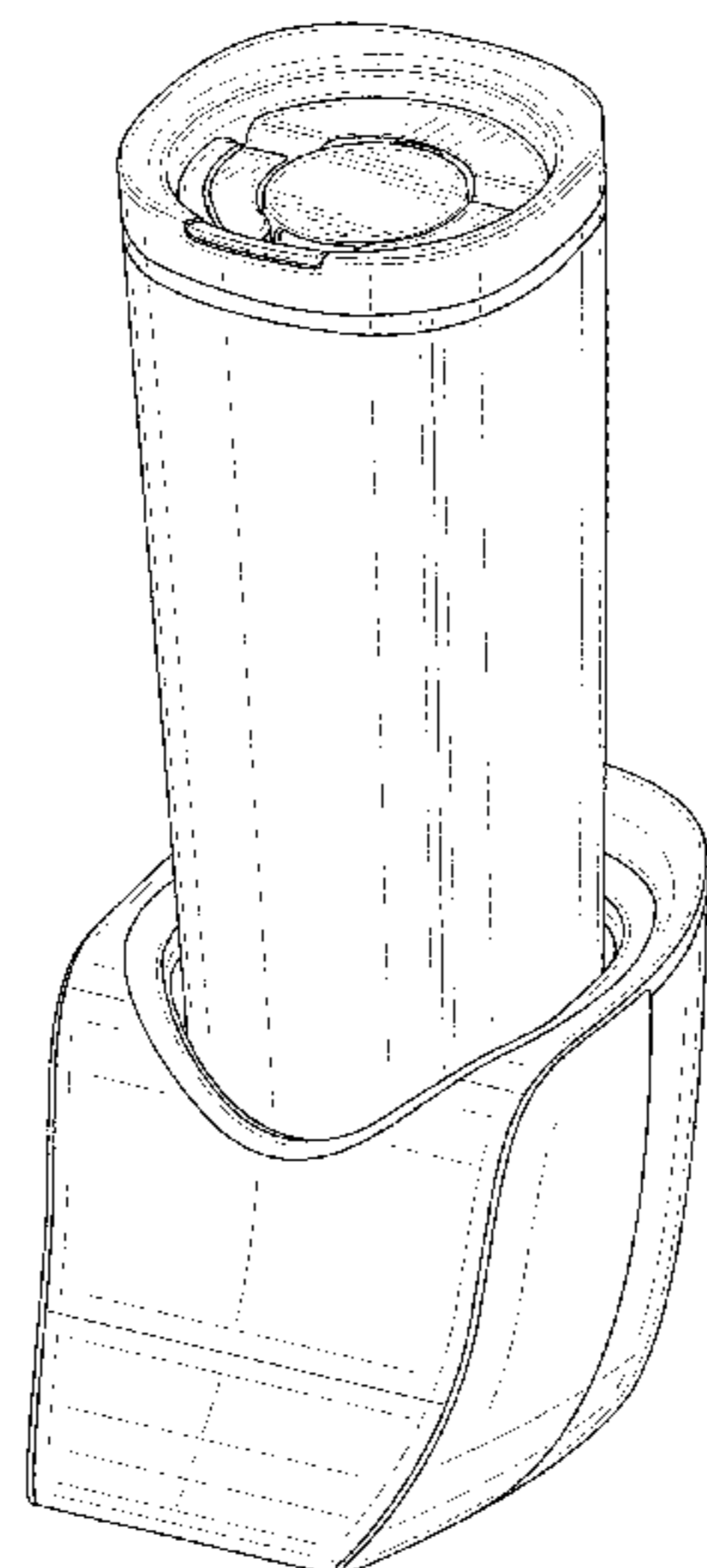
(57) **CLAIM**

The ornamental design for a beverage dispenser, as shown  
and described.

**DESCRIPTION**

FIG. 1 is a front, top perspective view of a beverage  
dispenser showing my new design;  
FIG. 2 is a rear, top perspective view thereof;  
FIG. 3 is a front elevation view thereof;  
FIG. 4 is a rear elevation view thereof;  
FIG. 5 is a right side view thereof;  
FIG. 6 is a left side view thereof;  
FIG. 7 is a top plan view thereof; and,  
FIG. 8 is a bottom view thereof.  
The evenly dashed broken lines in the drawings illustrate the  
portions of the beverage dispenser that form no part of the  
claimed design.

**1 Claim, 8 Drawing Sheets**



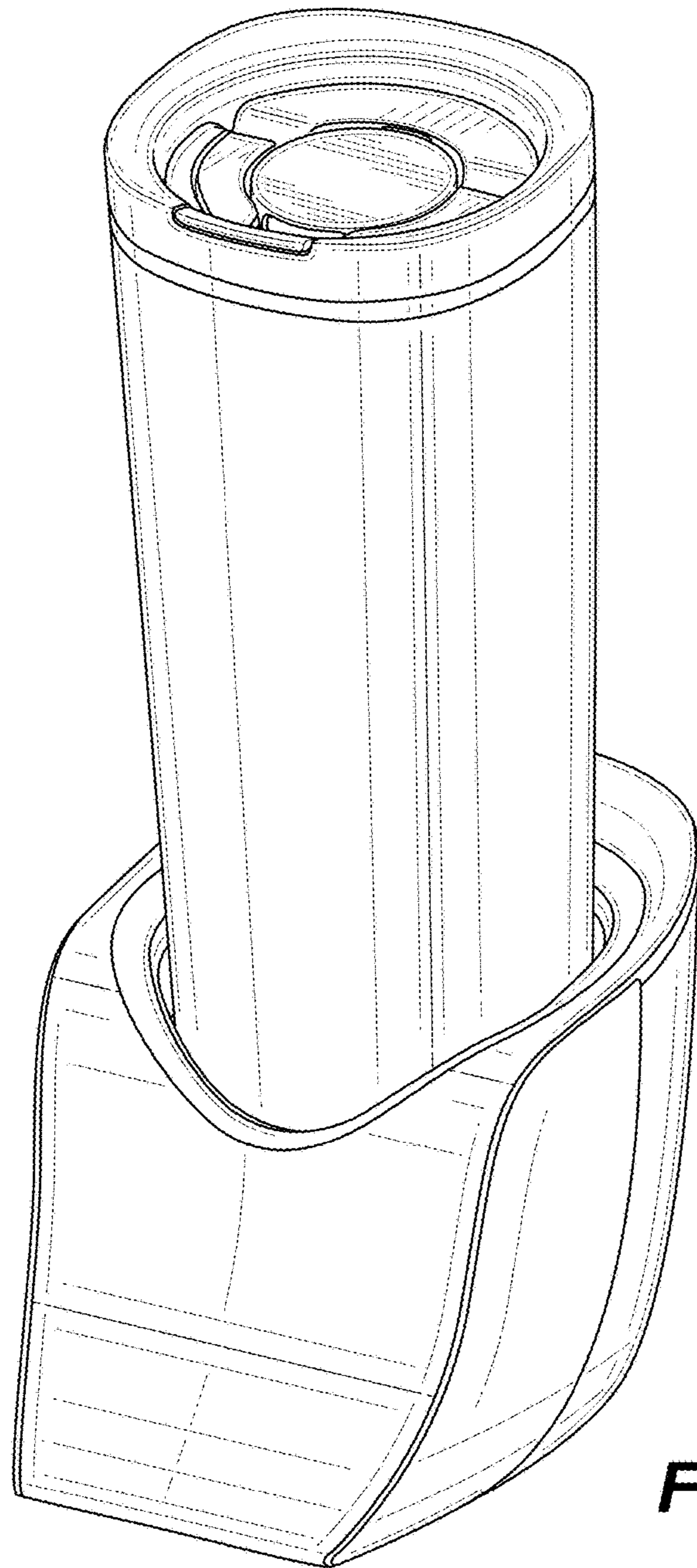
(56)

**References Cited**

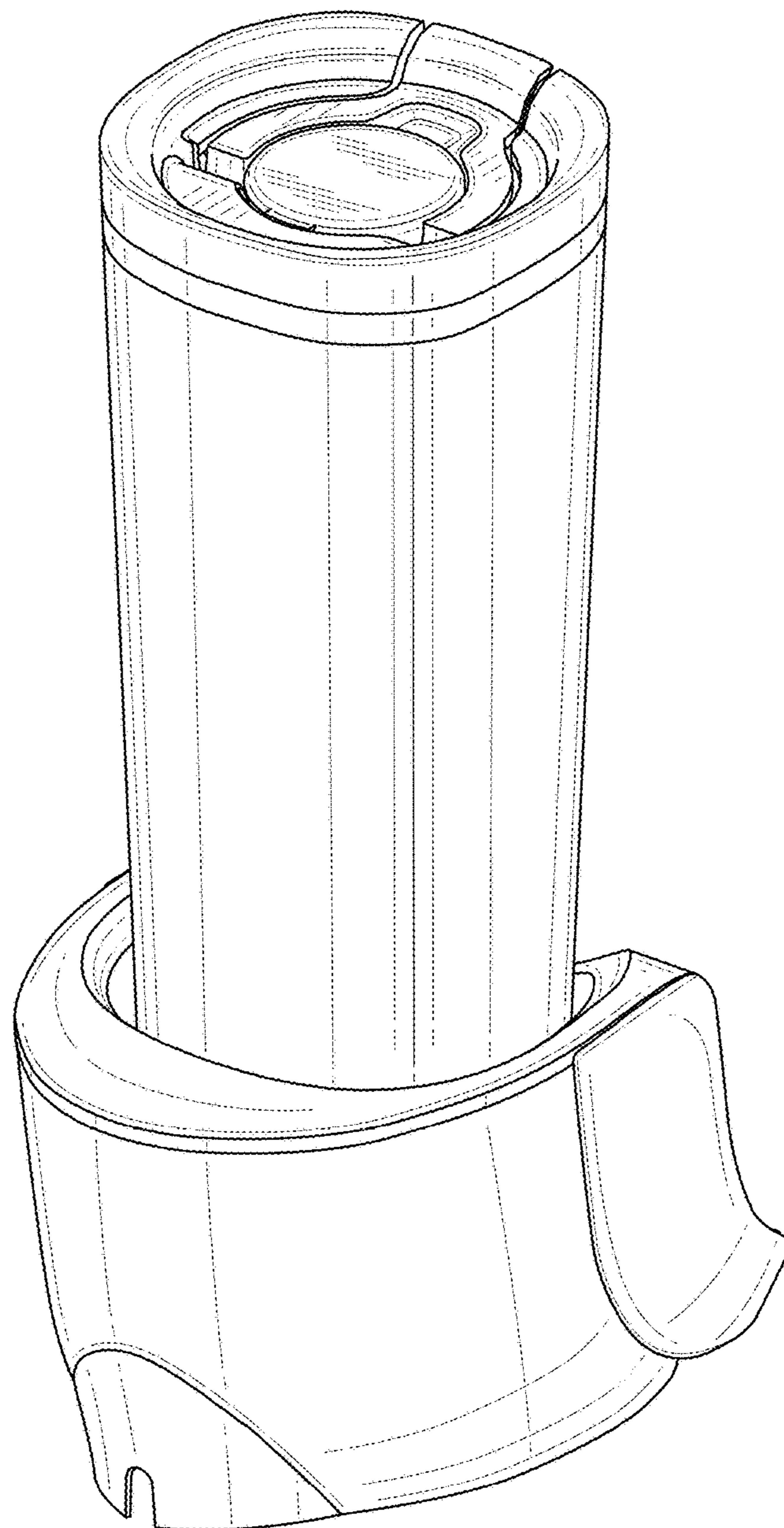
U.S. PATENT DOCUMENTS

D750,937 S *	3/2016	Ji .....	D7/511
D788,509 S *	6/2017	Wei .....	D7/305
D796,902 S *	9/2017	Gordon .....	D7/510
D798,111 S *	9/2017	Yao .....	D7/507
D803,623 S *	11/2017	Bodum .....	D7/510
D811,817 S *	3/2018	Harrington, III .....	D7/510
D815,903 S *	4/2018	Steel .....	D7/510
2010/0288782 A1 *	11/2010	Lin .....	A47G 19/22 220/752

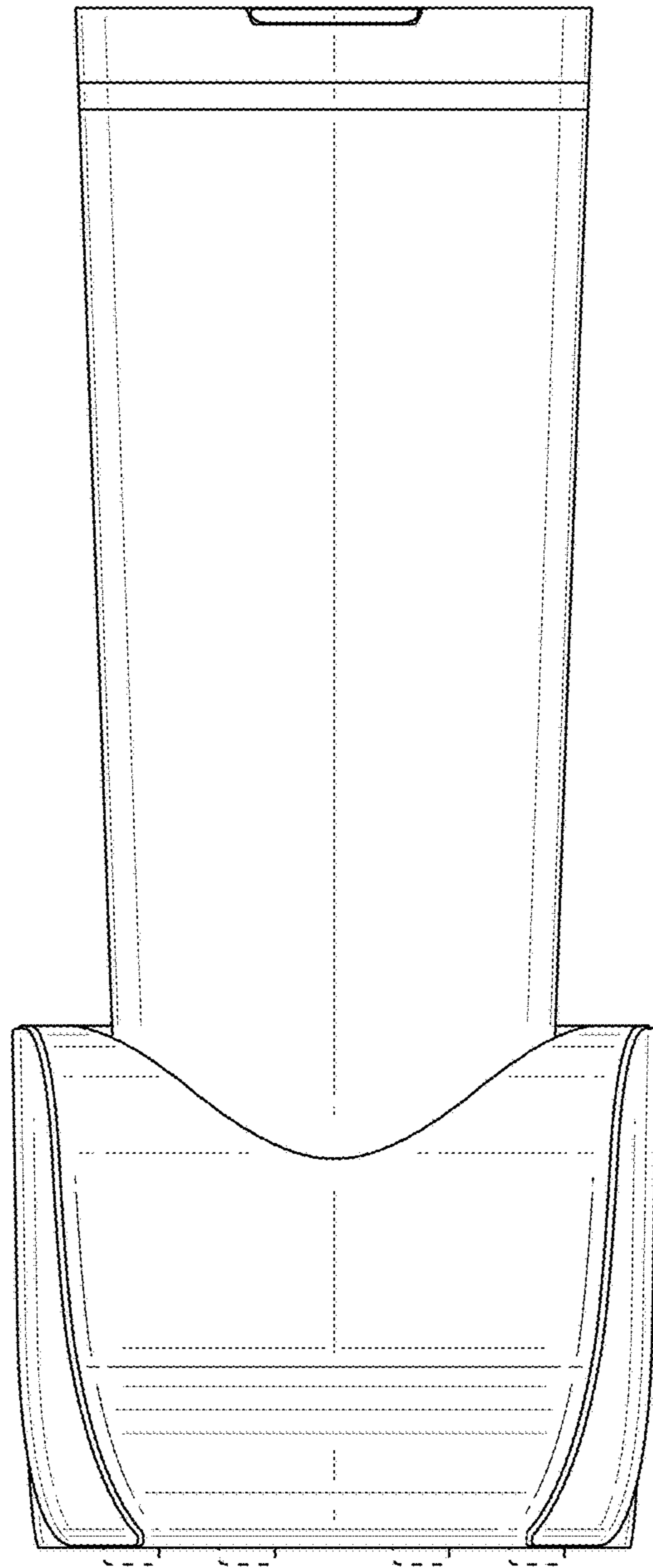
\* cited by examiner



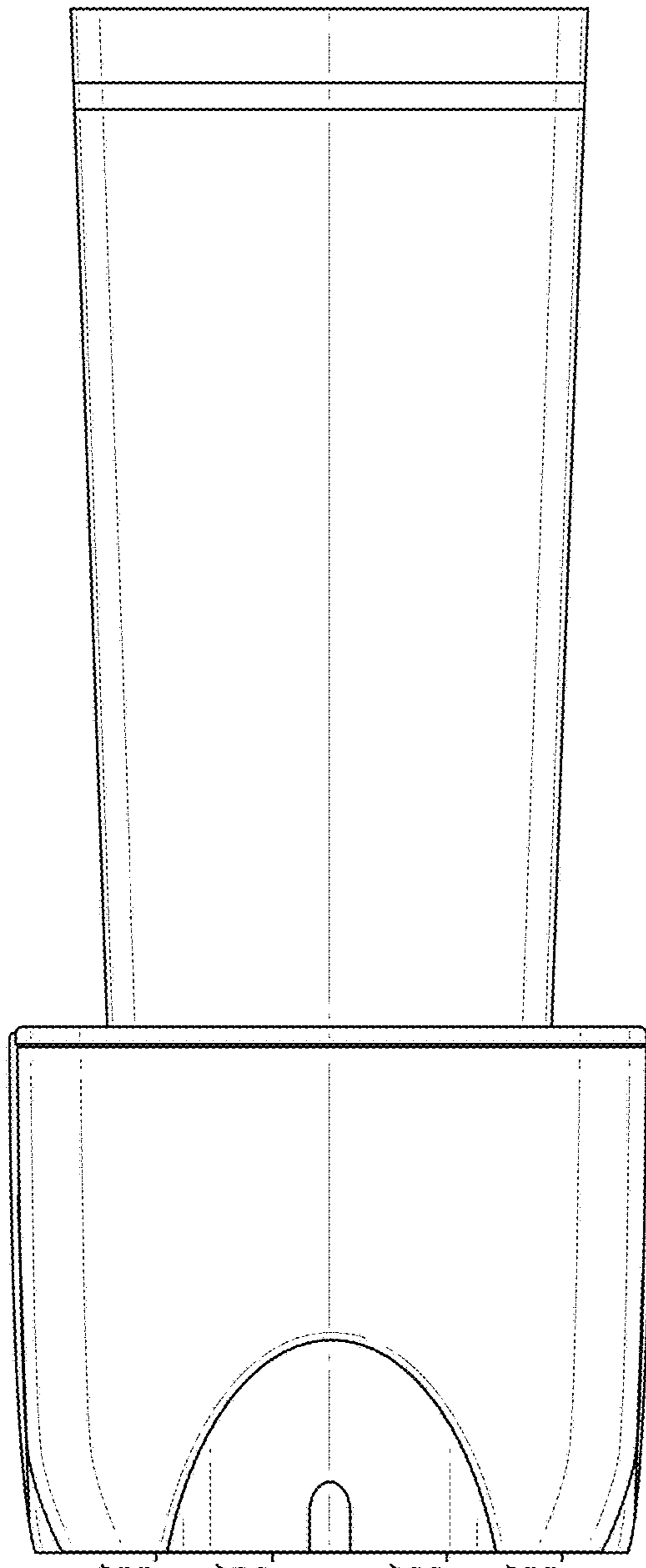
**FIG. 1**



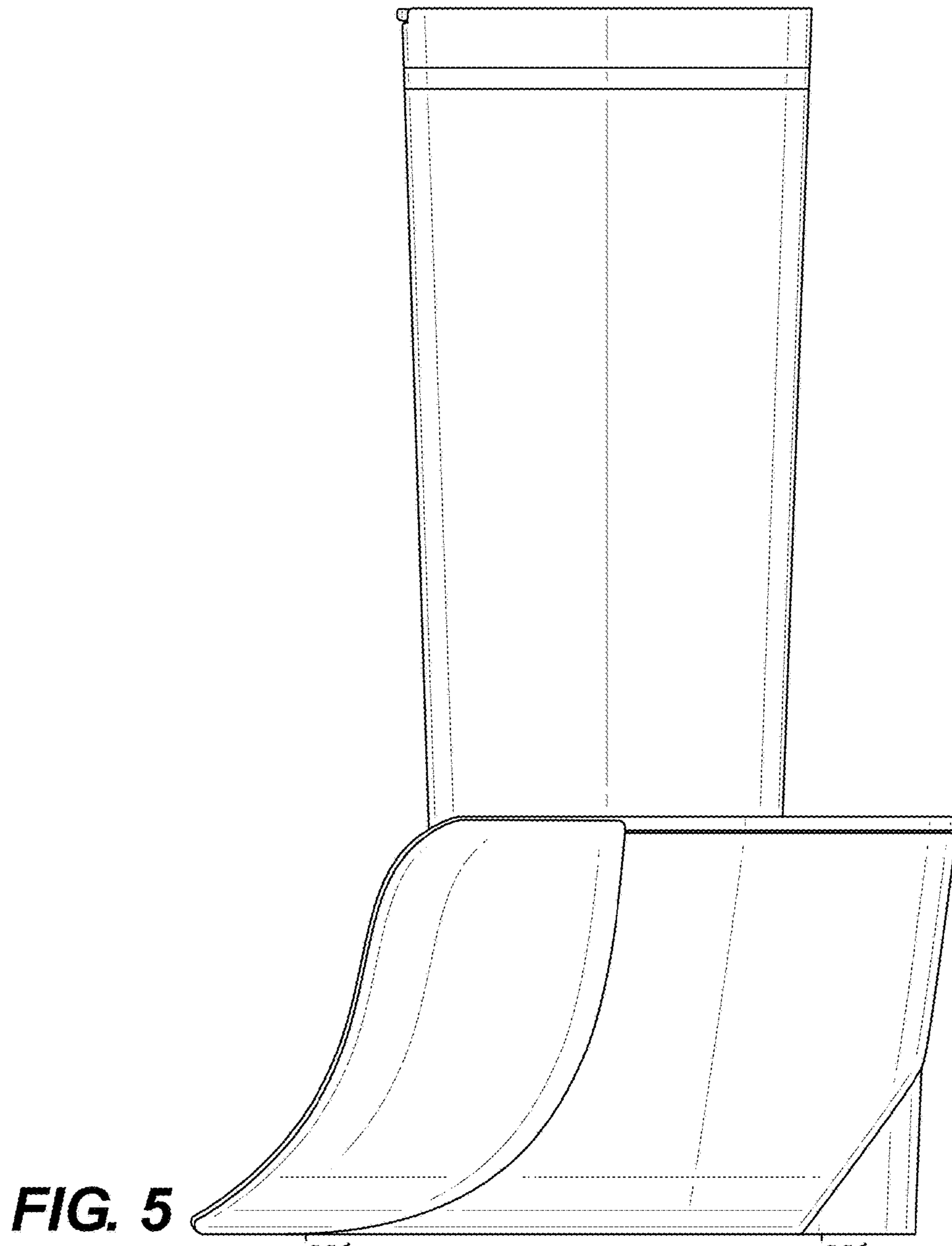
**FIG. 2**

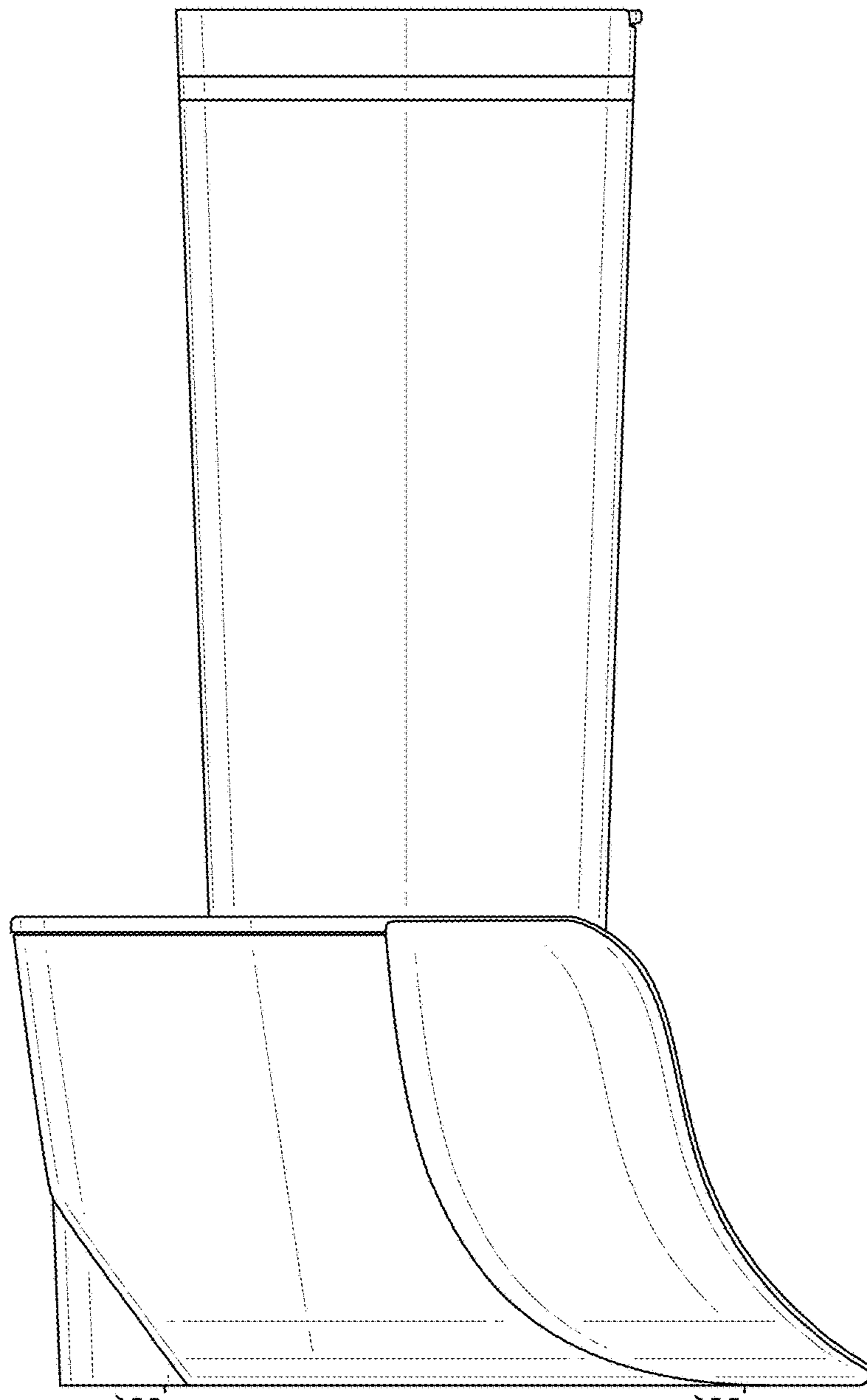


**FIG. 3**



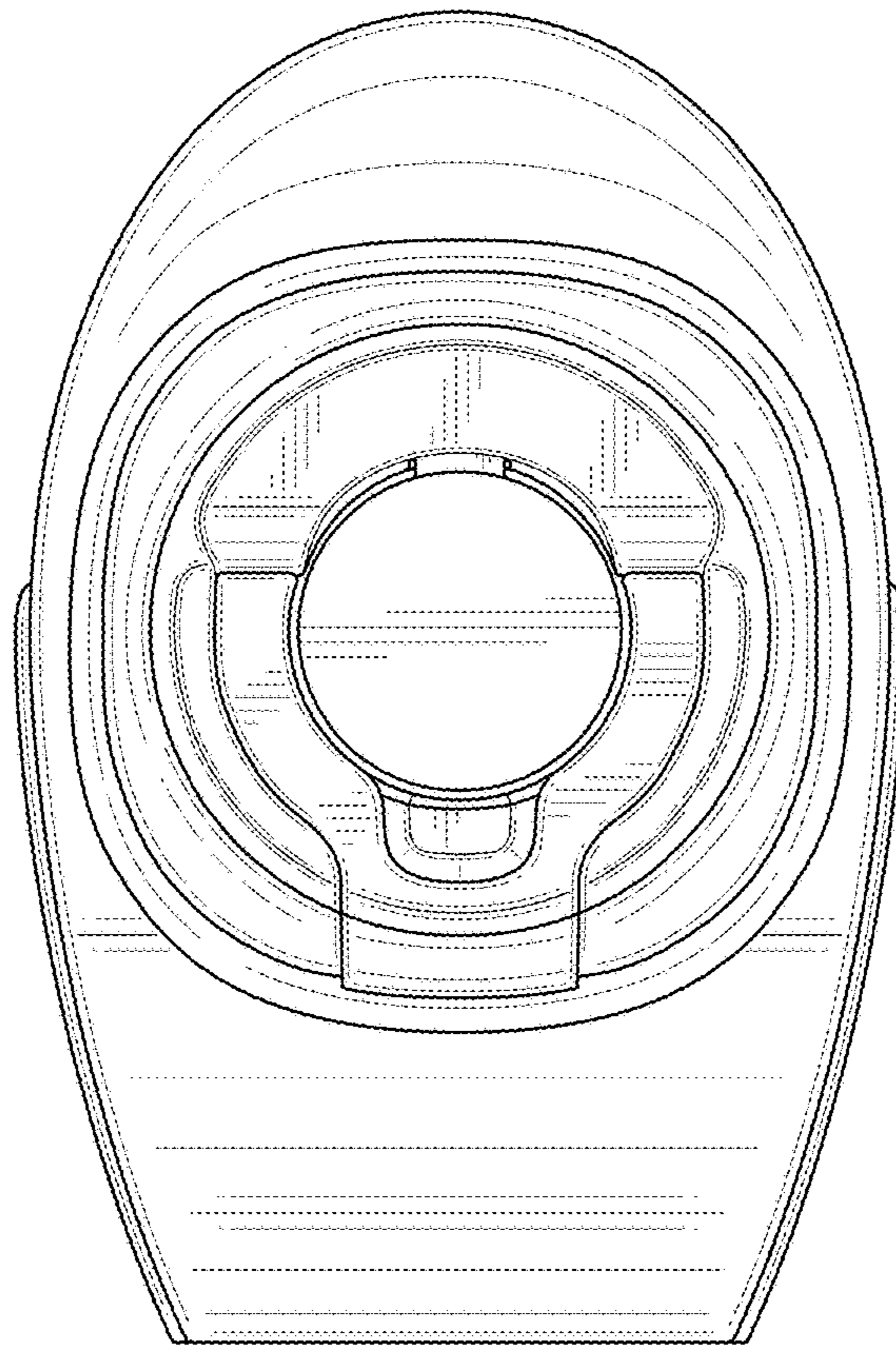
**FIG. 4**



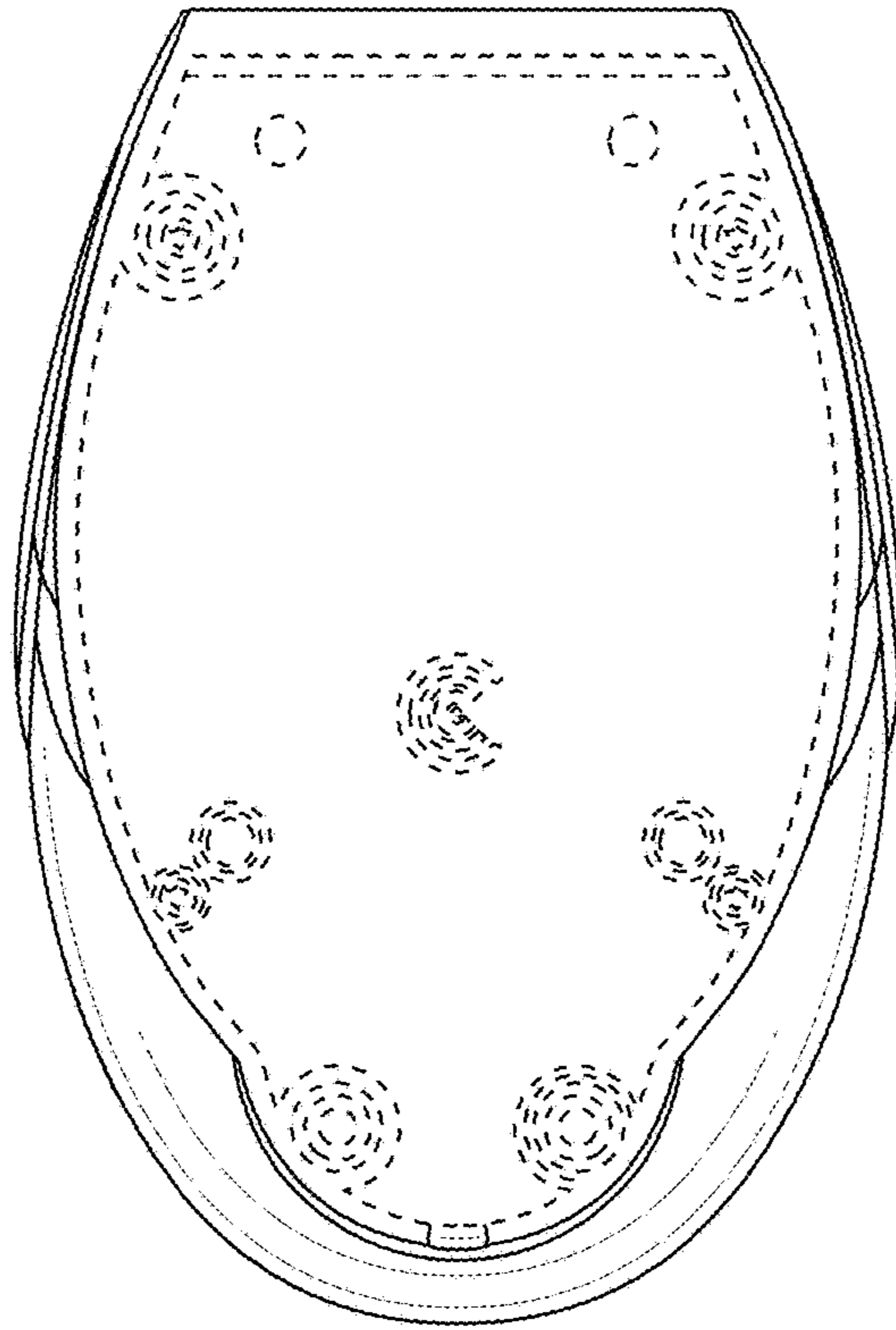


**FIG. 6**





**FIG. 7**



**FIG. 8**