



US00D848789S

(12) **United States Design Patent** (10) **Patent No.:** **US D848,789 S**
Mutch et al. (45) **Date of Patent:** **** May 21, 2019**

(54) **COOLING RACK**

(56) **References Cited**

(71) Applicants: **Martin Mutch**, New York, NY (US);
Andrew Stockton Bennett, Somerville,
MA (US); **Hayir Benat Facquet**,
Hoboken, NJ (US); **Sunny Kim**,
Douglaston, NY (US)

U.S. PATENT DOCUMENTS

D205,716 S * 9/1966 Christoffersen D7/409
5,152,407 A * 10/1992 Massoudnia A47B 55/02
211/126.15
D368,186 S * 3/1996 Tiemann D32/59
D425,754 S * 5/2000 Matteson 126/337 R
D551,884 S * 10/2007 Remmers D6/705.6

(72) Inventors: **Martin Mutch**, New York, NY (US);
Andrew Stockton Bennett, Somerville,
MA (US); **Hayir Benat Facquet**,
Hoboken, NJ (US); **Sunny Kim**,
Douglaston, NY (US)

* cited by examiner

Primary Examiner — Terry A Wallace

(73) Assignee: **HELEN OF TROY LIMITED**, St.
Michael (BB)

(57) **CLAIM**

The ornamental design for a cooling rack, as shown, and
described.

(**) Term: **15 Years**

DESCRIPTION

(21) Appl. No.: **29/624,641**

(22) Filed: **Nov. 2, 2017**

(51) **LOC (11) Cl.** **06-04**

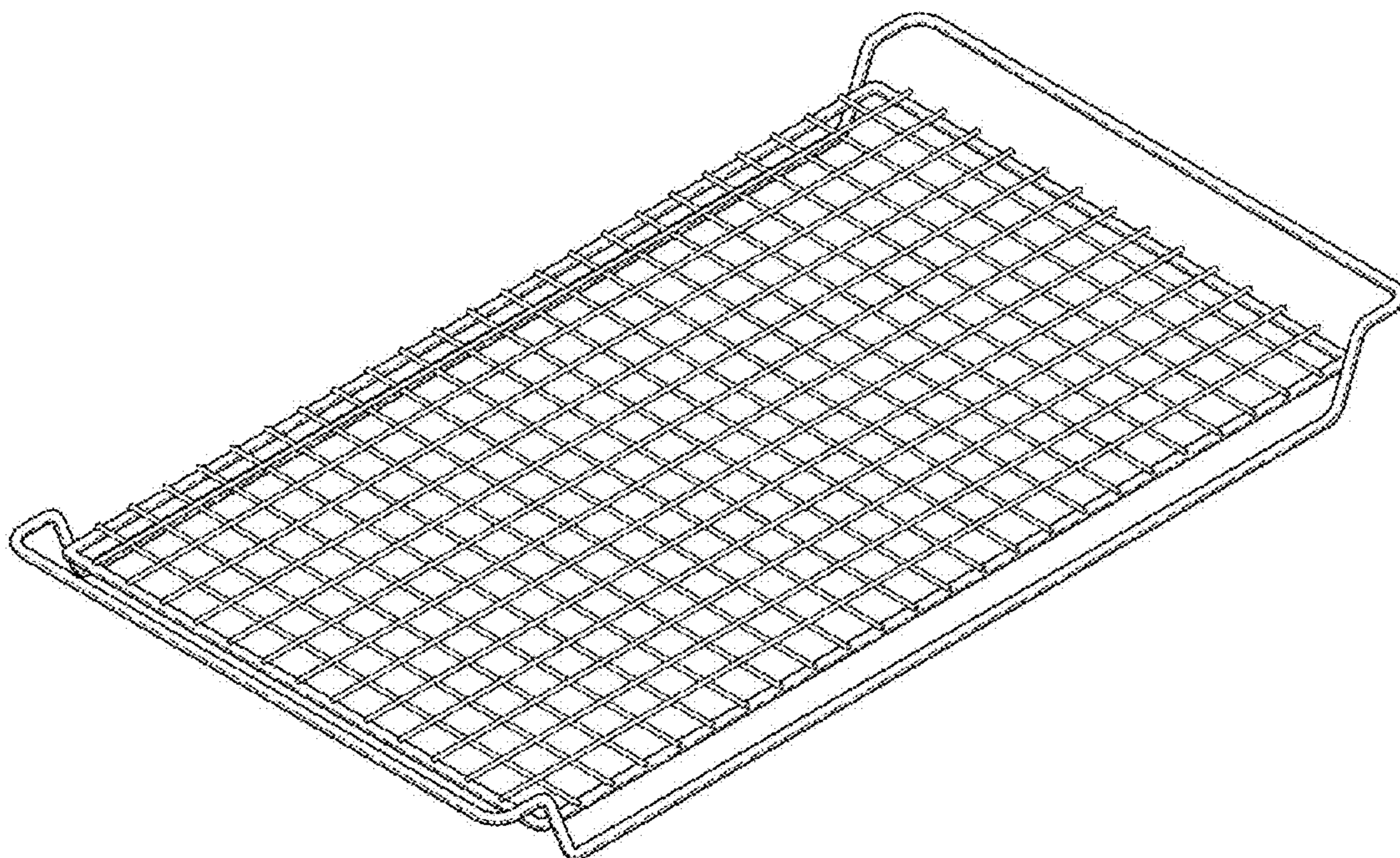
(52) **U.S. Cl.**
USPC **D7/409**

(58) **Field of Classification Search**
USPC D7/409, 704, 601, 354, 323; D6/675.2,
D6/675.3, 676.5, 677.5, 512, 678.4,
D6/680.3, 705.6; D32/59
CPC A23G 7/02; A21B 3/155; A21B 3/135;
F24C 15/16; A47J 37/0694

FIG. 1 is a perspective view of a cooling rack;
FIG. 2 is a top view thereof;
FIG. 3 is a bottom view thereof;
FIG. 4 is a right elevation view thereof (with the left a mirror
image thereof);
FIG. 5 is a front elevation view thereof (with the rear a
mirror image thereof); and,
FIG. 6 is a perspective view shown in a use environment.
The broken lines in FIG. 6 depict a baking pan and form no
part of the claimed design.

See application file for complete search history.

1 Claim, 6 Drawing Sheets



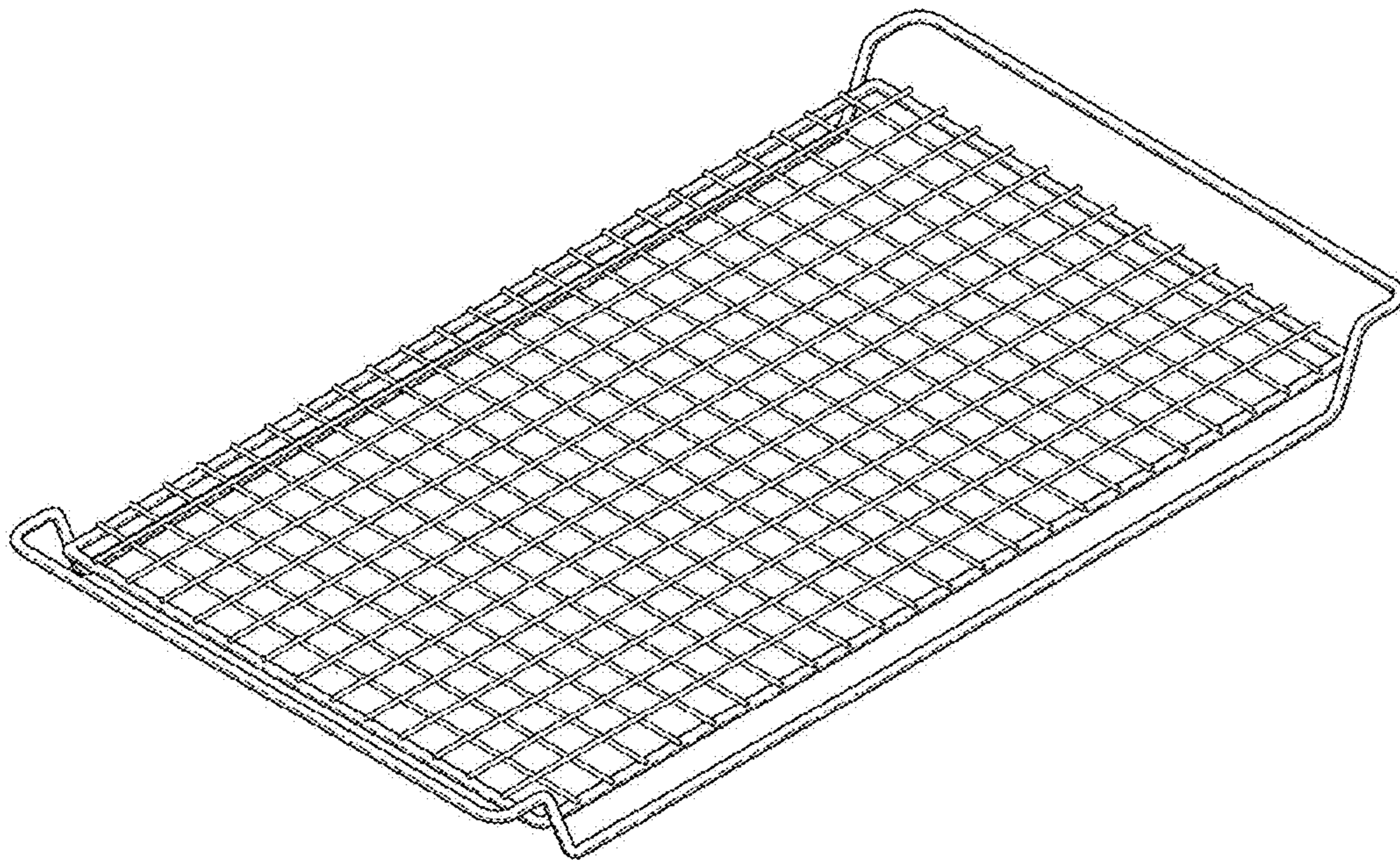


FIG. 1

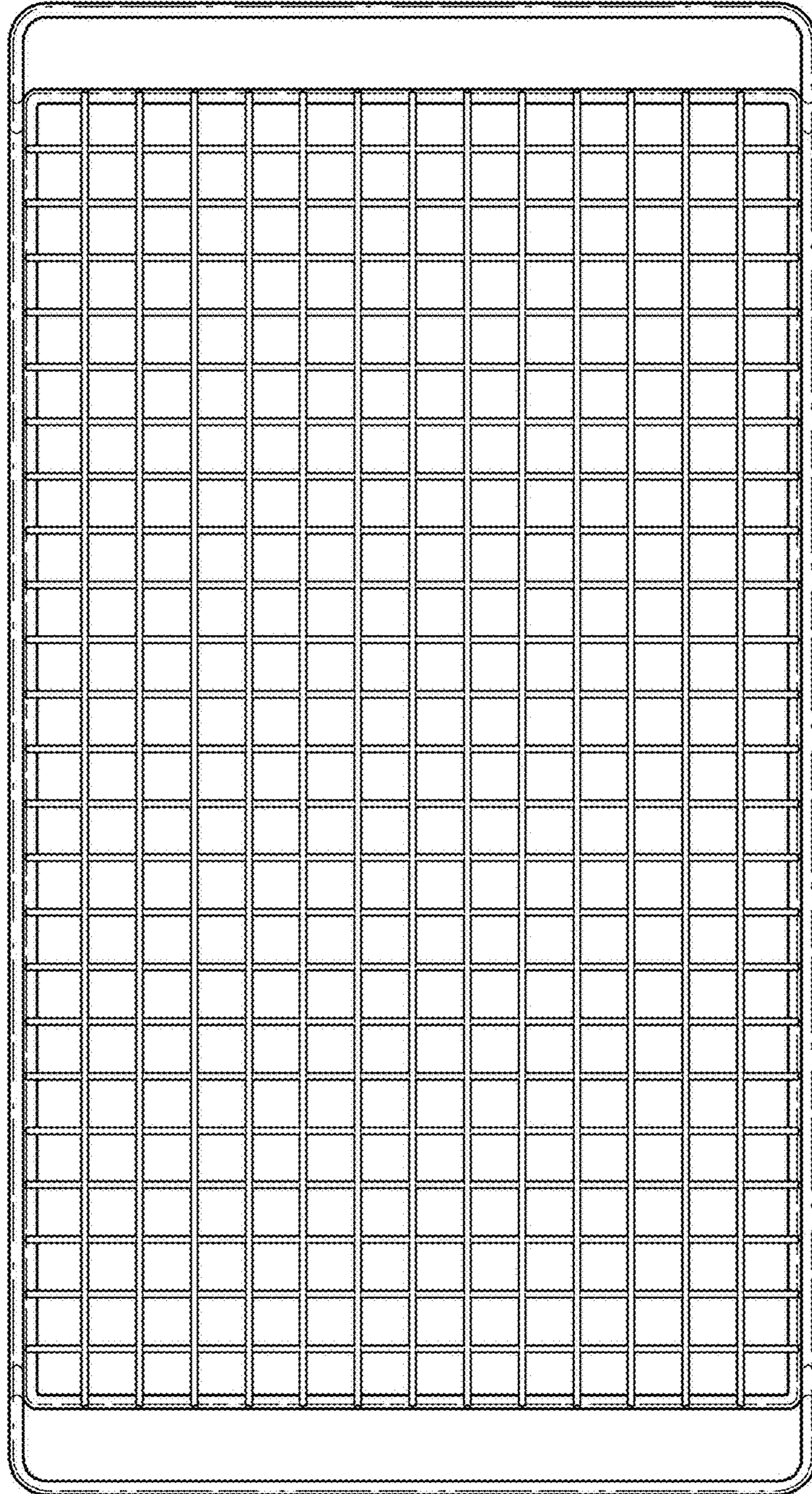


FIG. 2

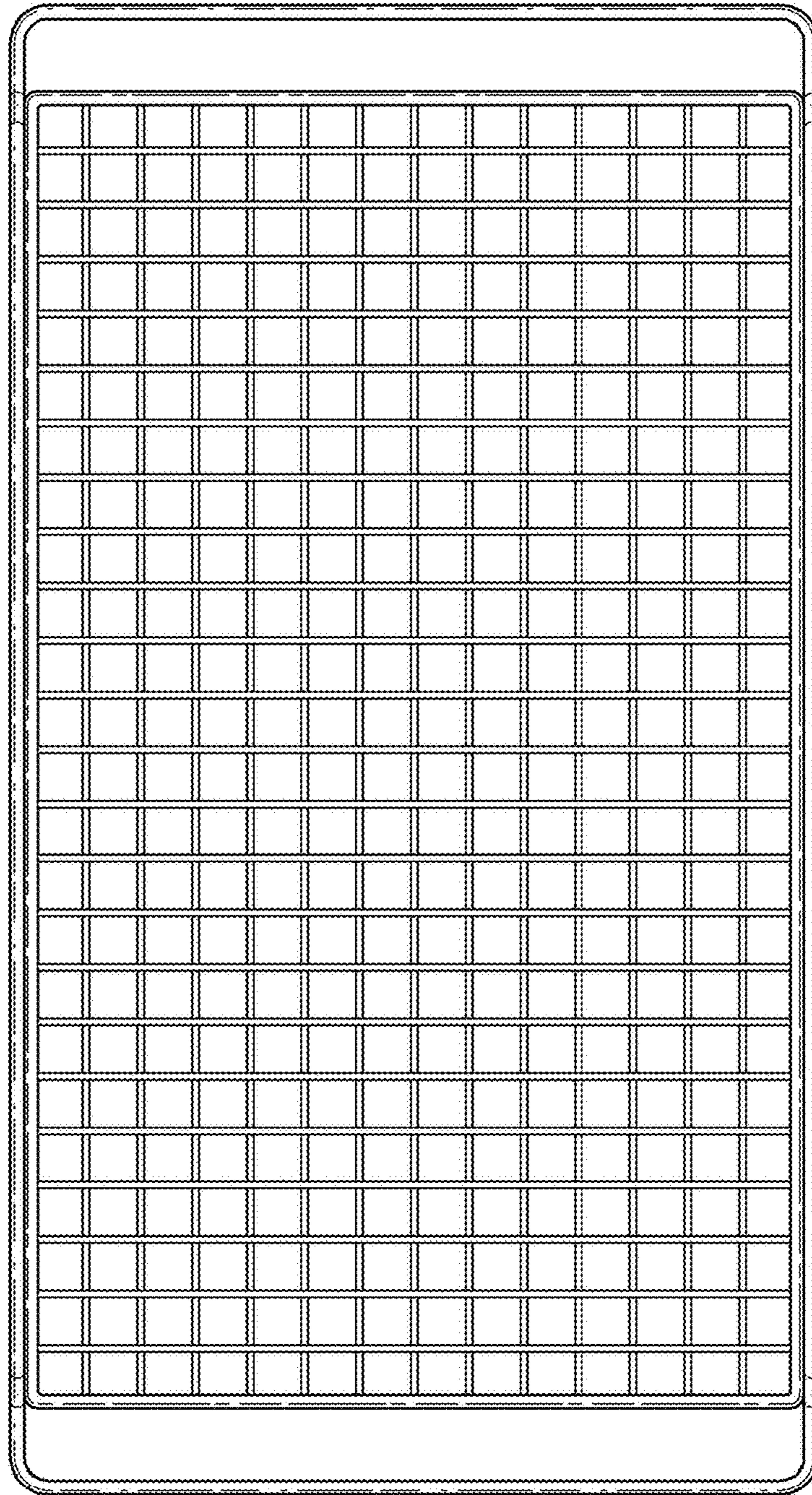


FIG. 3

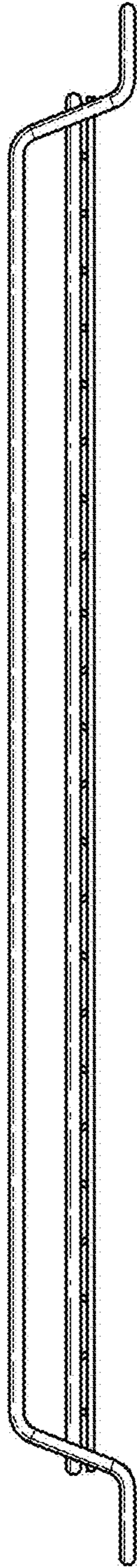


FIG. 4

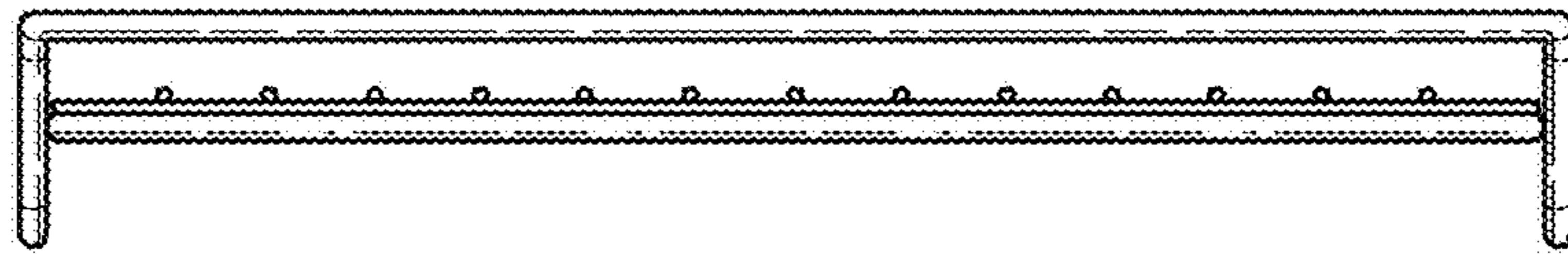


FIG. 5

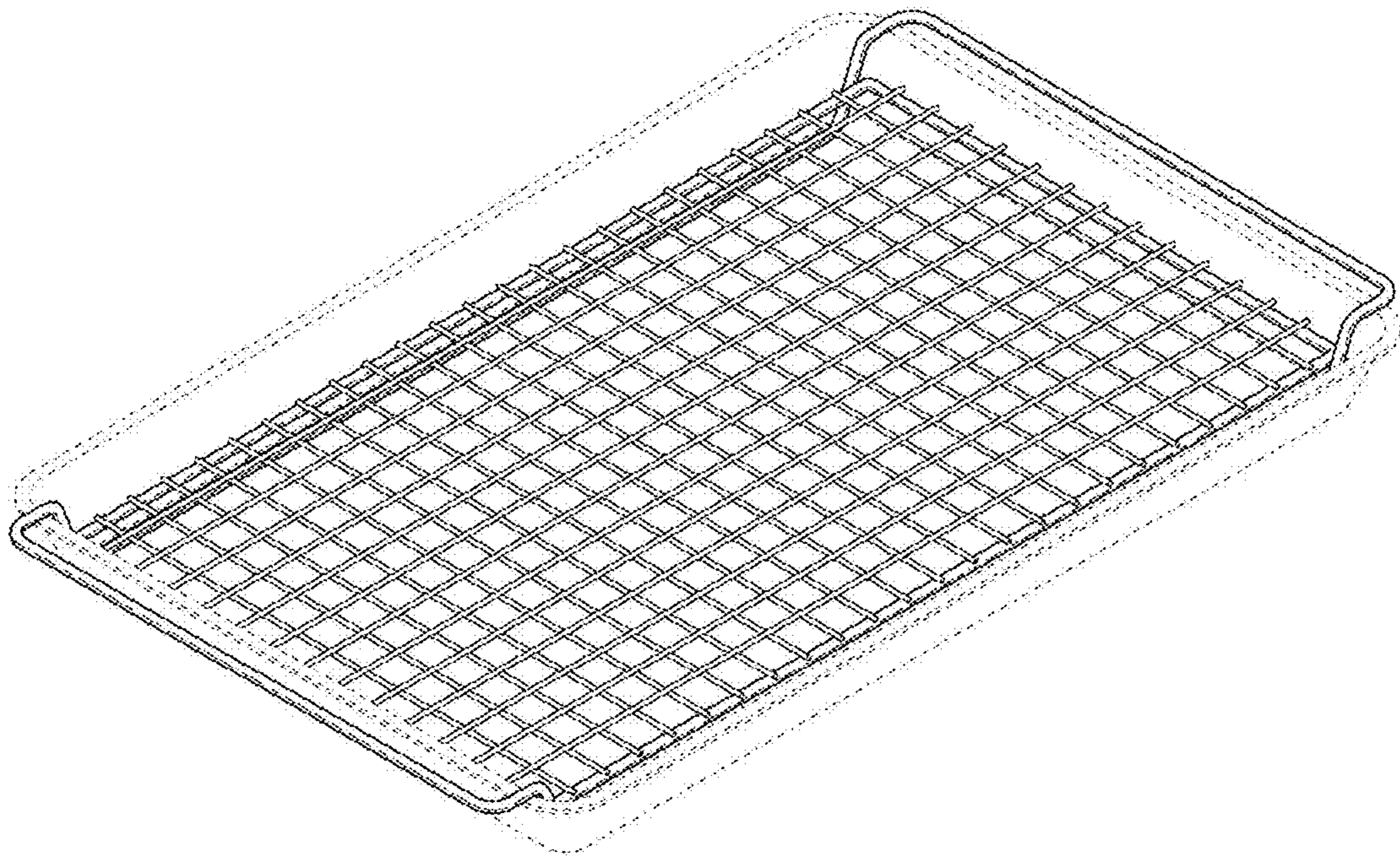


FIG. 6