



US00D848787S

(12) **United States Design Patent**
Tatsukawa et al.

(10) **Patent No.:** **US D848,787 S**

(45) **Date of Patent:** **** May 21, 2019**

(54) **DRINK BOTTLE LID**

(71) Applicant: **ZOJIRUSHI CORPORATION**, Osaka (JP)

(72) Inventors: **Naoko Tatsukawa**, Osaka (JP);
Masayoshi Shimizu, Osaka (JP)

(73) Assignee: **ZOJIRUSHI CORPORATION**, Osaka (JP)

(**) Term: **15 Years**

(21) Appl. No.: **29/621,282**

(22) Filed: **Oct. 6, 2017**

(30) **Foreign Application Priority Data**

Jun. 28, 2017 (JP) 2017-013907

(51) **LOC (11) Cl.** **07-99**

(52) **U.S. Cl.**
USPC **D7/392.1; D7/392**

(58) **Field of Classification Search**
USPC D9/452, 453, 454, 435, 447, 449;
D7/391, 392, 392.1, 510, 511, 538, 540,
D7/542, 543, 544, 545, 629
CPC ... A47G 19/2205; A47G 19/2222; A45F 3/16;
A45F 3/20; B67D 7/06; B67D 7/0004;
B65D 25/14; B65D 47/065; B65D
47/066; B65D 2543/00101; B65D
2543/00027

See application file for complete search history.

(56) **References Cited**

U.S. PATENT DOCUMENTS

D451,023 S * 11/2001 Kitamura D9/449
D492,597 S * 7/2004 Norris D9/442
D520,873 S * 5/2006 Lovell D9/449
D527,630 S * 9/2006 McConville D9/448
D530,609 S * 10/2006 Beaver D9/445
D547,184 S * 7/2007 Kim D9/447
D572,586 S * 7/2008 Medema D9/445

D589,743 S * 4/2009 Pearson D7/392
D608,640 S * 1/2010 Carreno D9/449
7,712,618 B2 * 5/2010 Barre B65D 47/0871
215/237
RE42,484 E * 6/2011 Kitamura D7/510
D655,580 S * 3/2012 Kotani D7/608
D655,581 S * 3/2012 Kotani D7/608
D661,945 S * 6/2012 Eyal D7/392.1

(Continued)

OTHER PUBLICATIONS

Amazon.com, Zojirushi water bottle straight drink sports type stainless cool bottle 0.52L Pink SD-AL05-PA, Publication date unknown, [Site visited Oct. 26, 2018], Available on the Internet URL <https://www.amazon.com/Zojirushi-bottle-straight-stainless-SD-EC10-PV/dp/B01BV8Z3RE?th=1>.*

Primary Examiner — Karen S Acker

Assistant Examiner — Steven B Reinholdt, Jr.

(74) *Attorney, Agent, or Firm* — Young & Thompson

(57) **CLAIM**

The ornamental design for a drink bottle lid, as shown and described.

DESCRIPTION

FIG. 1 is a front, left side, and top perspective view showing the new design;

FIG. 2 is a bottom, rear, and right side perspective view thereof;

FIG. 3 is a front elevation view thereof;

FIG. 4 is a rear elevation view thereof;

FIG. 5 is a left side elevation view thereof;

FIG. 6 is a right side elevation view thereof;

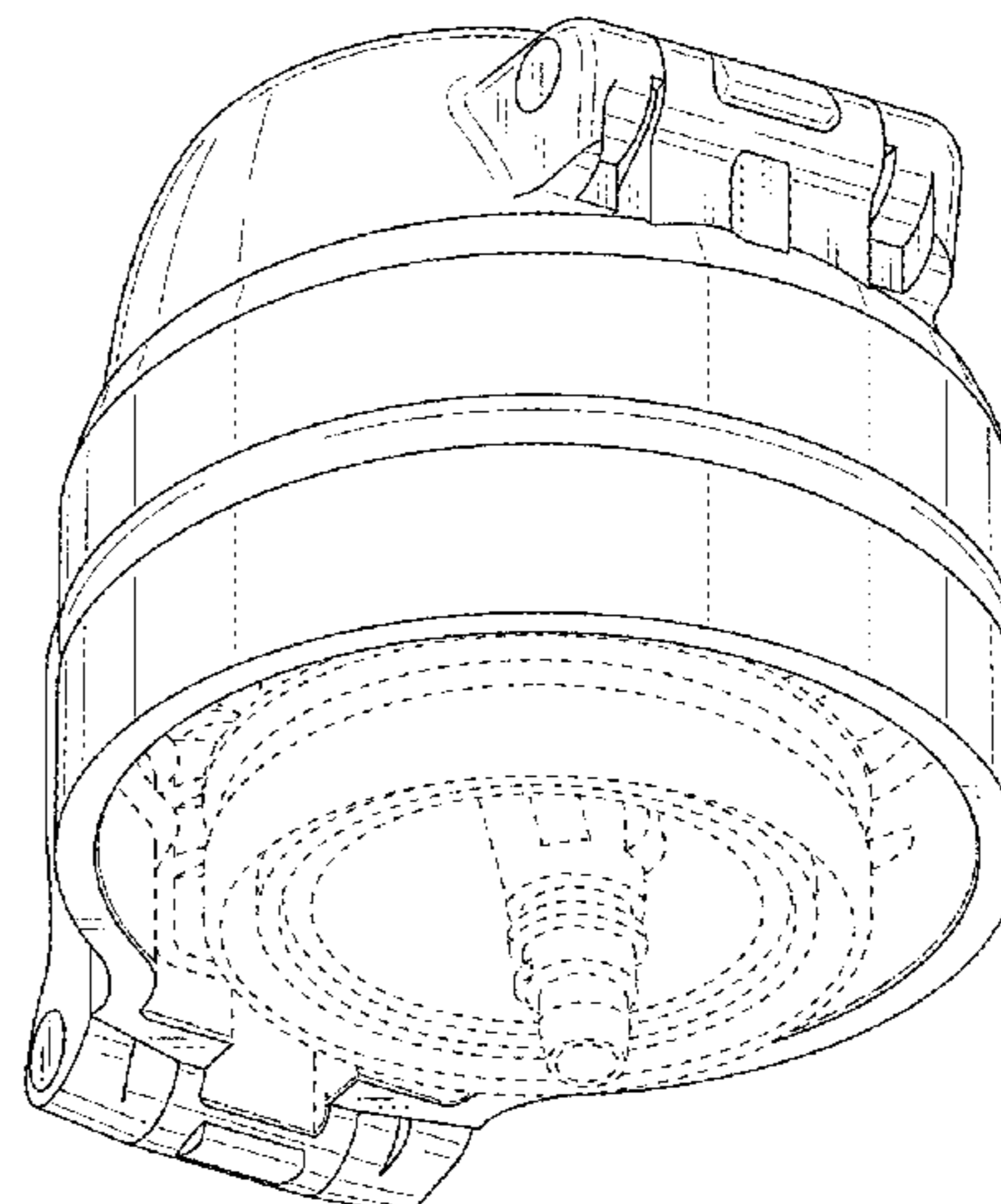
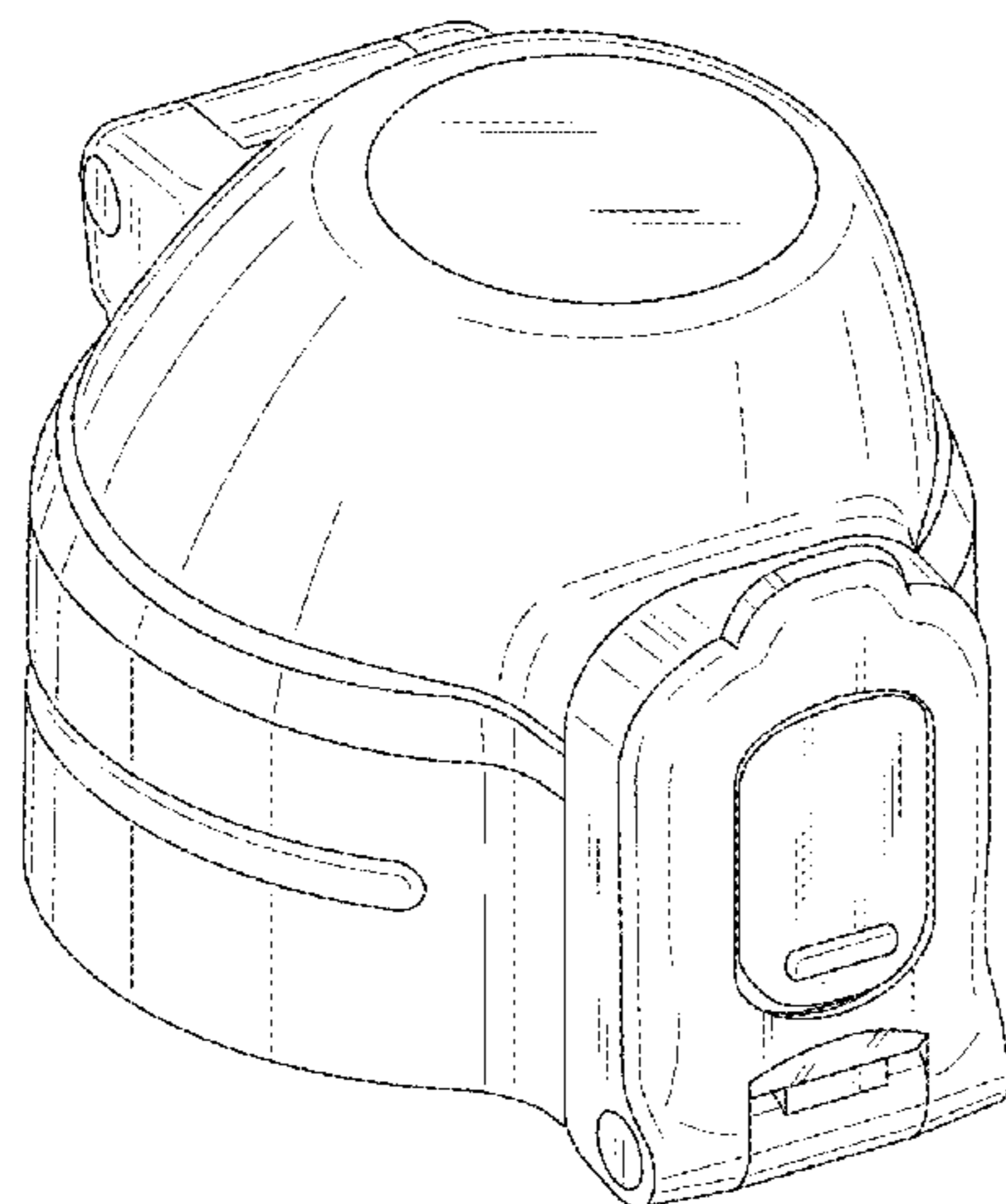
FIG. 7 is a top plan view thereof; and,

FIG. 8 is a bottom plan view thereof.

The broken lines depict portions of the drink bottle lid that form no part of the claimed design.

The dot dash dot broken lines in FIGS. 2 and 8 depict the boundaries of the claim and form no part thereof.

1 Claim, 8 Drawing Sheets



(56)

References Cited

U.S. PATENT DOCUMENTS

D668,503	S	*	10/2012	Kotani	D7/392.1
D675,060	S	*	1/2013	Lane	D7/392.1
D676,708	S	*	2/2013	Lane	D7/510
D677,118	S	*	3/2013	Rosenfeld	D7/392
D686,040	S	*	7/2013	Lane	D7/510
D686,871	S	*	7/2013	Lane	D7/392.1
D686,872	S	*	7/2013	Lane	D7/392.1
D690,557	S	*	10/2013	Carreno	D7/510
D690,558	S	*	10/2013	Lane	D7/510
D690,559	S	*	10/2013	Lane	D7/510
D695,069	S	*	12/2013	Lane	D7/510
D702,505	S	*	4/2014	Nakatani	D7/605
D718,626	S	*	12/2014	Lane	B65D 41/62 D9/449
D739,183	S	*	9/2015	Lane	D7/605
D744,290	S	*	12/2015	Endo	D7/608
D747,918	S	*	1/2016	Herbst	D7/392.1
D763,082	S	*	8/2016	Bos	D9/449
D780,578	S	*	3/2017	Lane	D7/396.2
D794,453	S	*	8/2017	Boroski	D7/392.1
D821,137	S	*	6/2018	Boroski	D7/392.1
2013/0220966	A1	*	8/2013	Lane	A45F 3/16 215/228
2013/0319966	A1	*	12/2013	Lane	B65D 43/26 215/237

* cited by examiner

Fig. 1

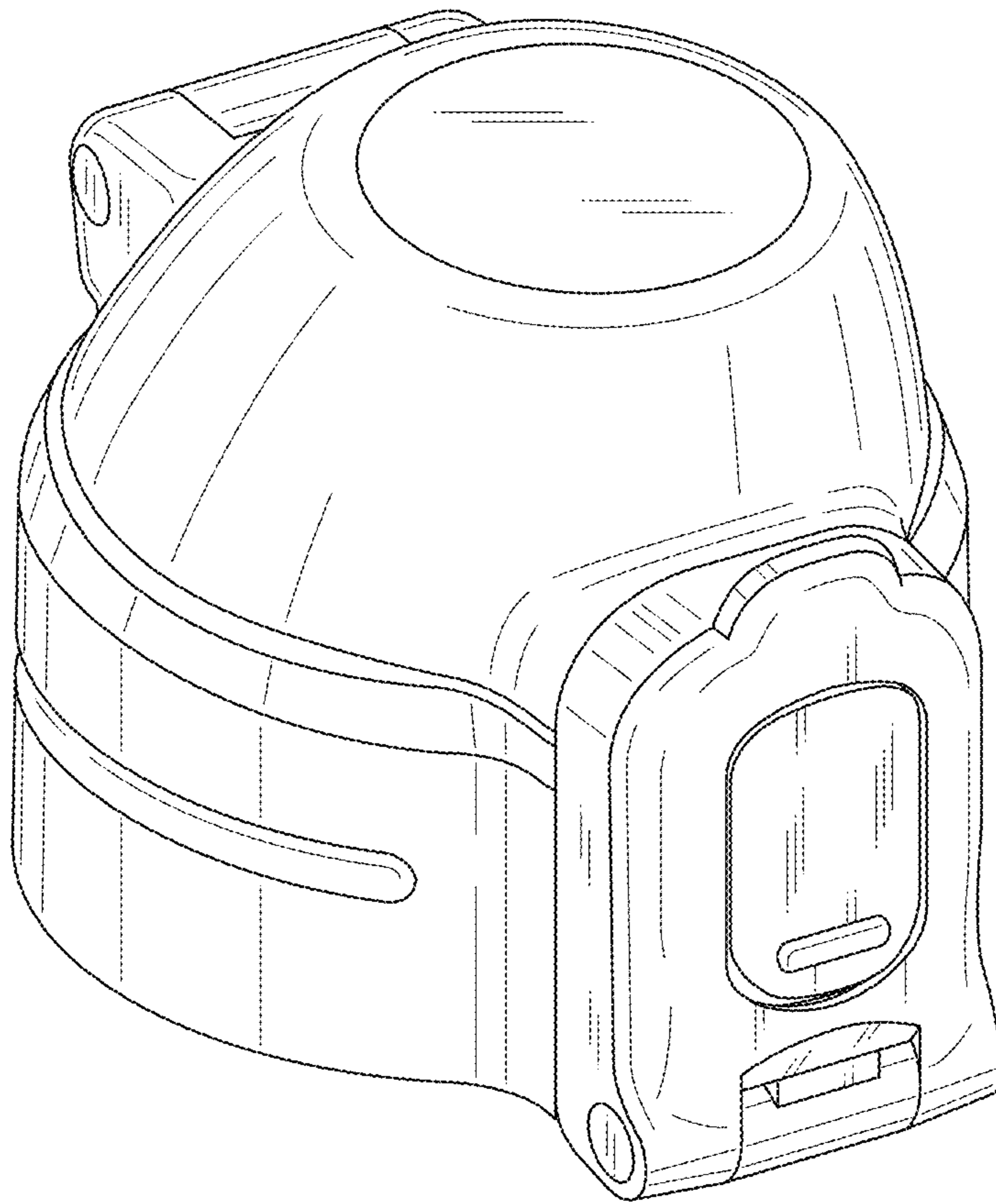


Fig. 2

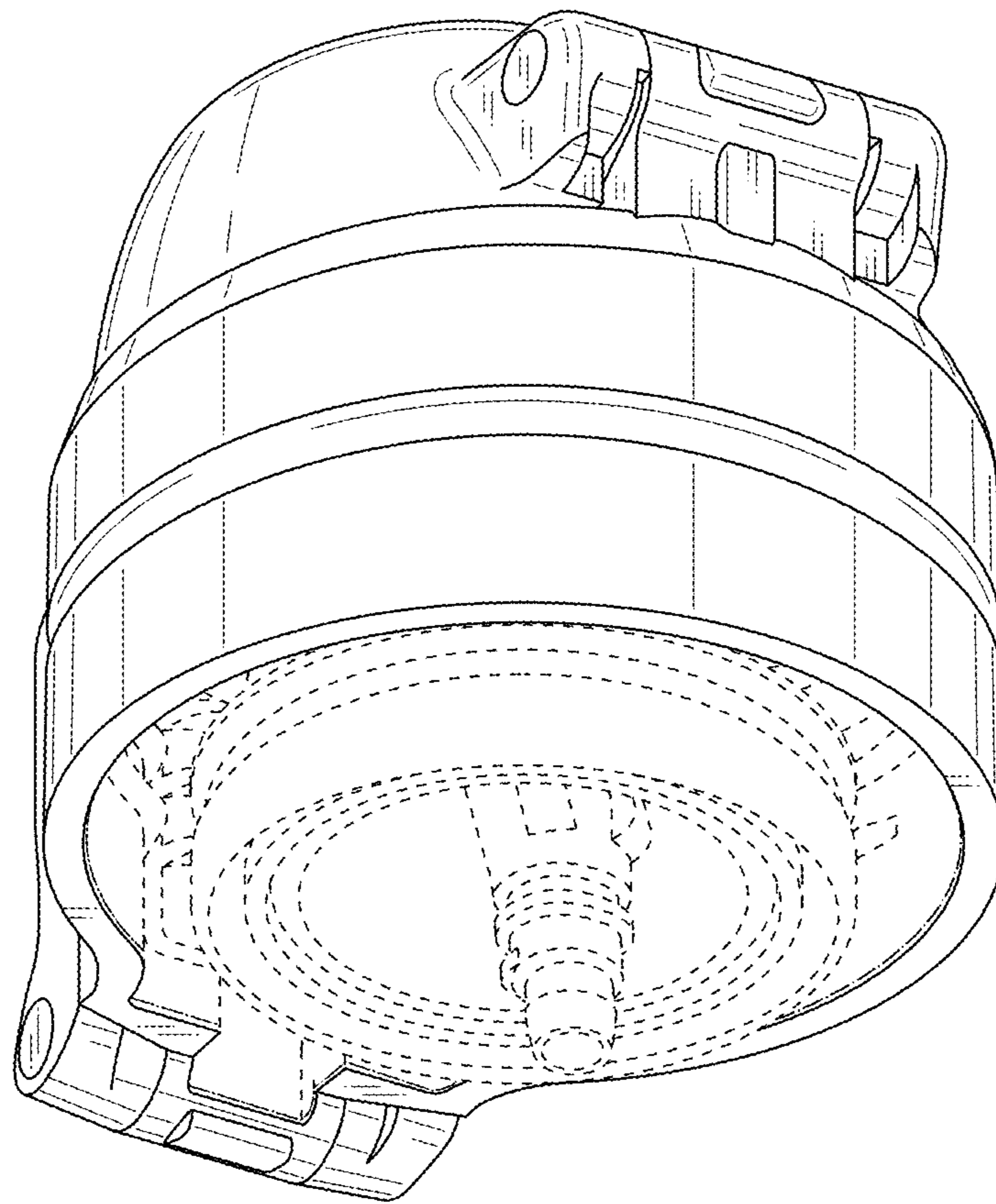


Fig. 3

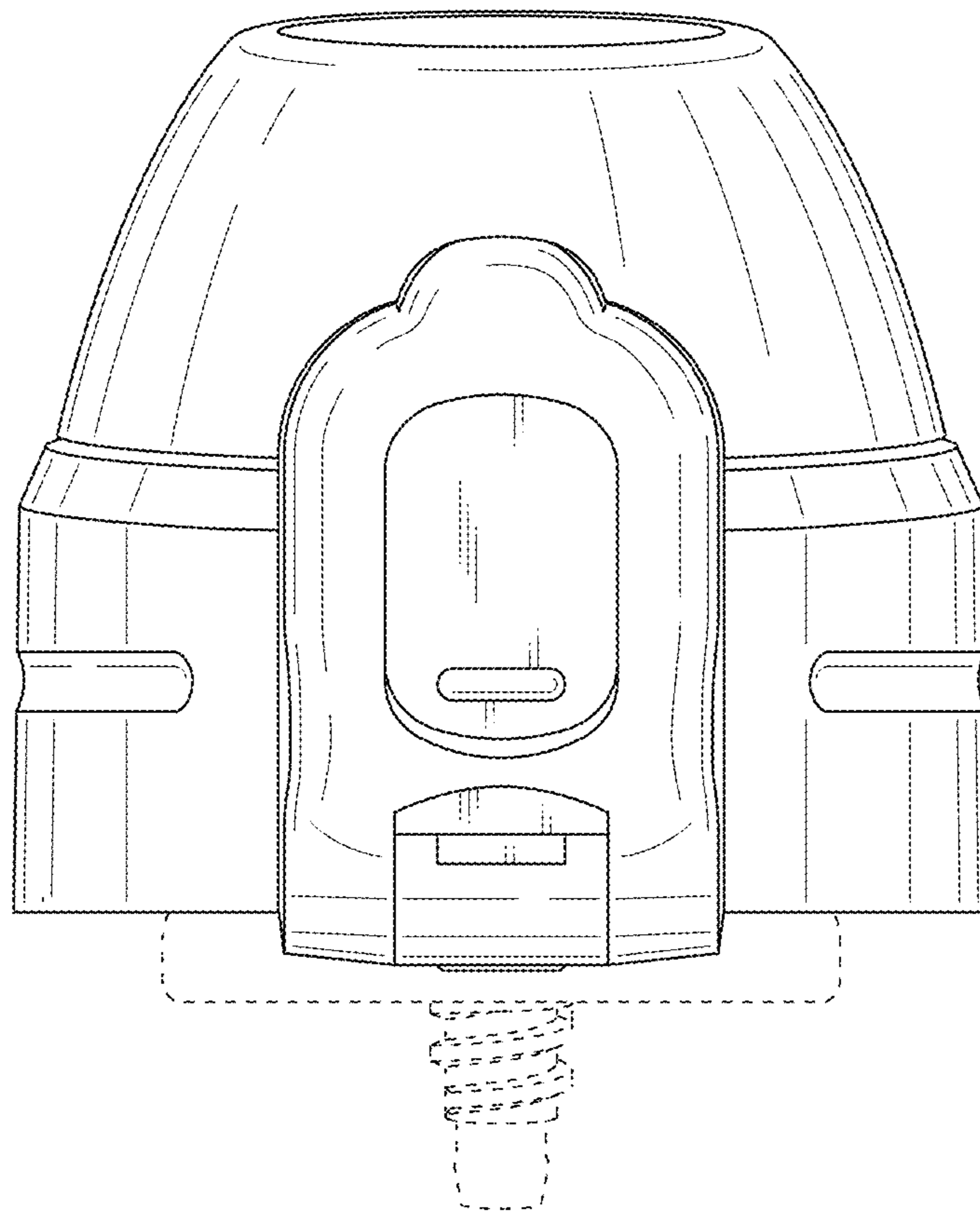


Fig. 4

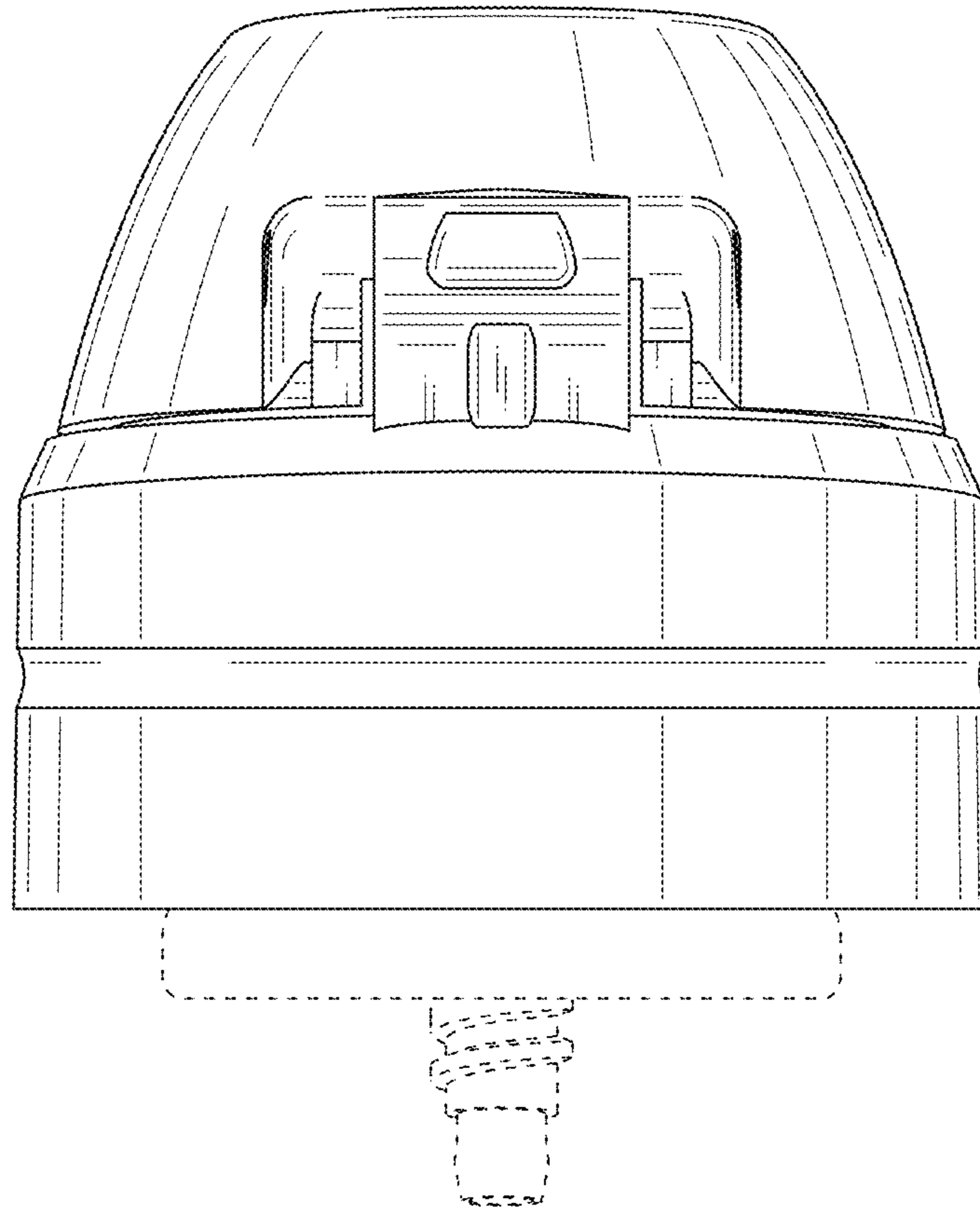


Fig. 5

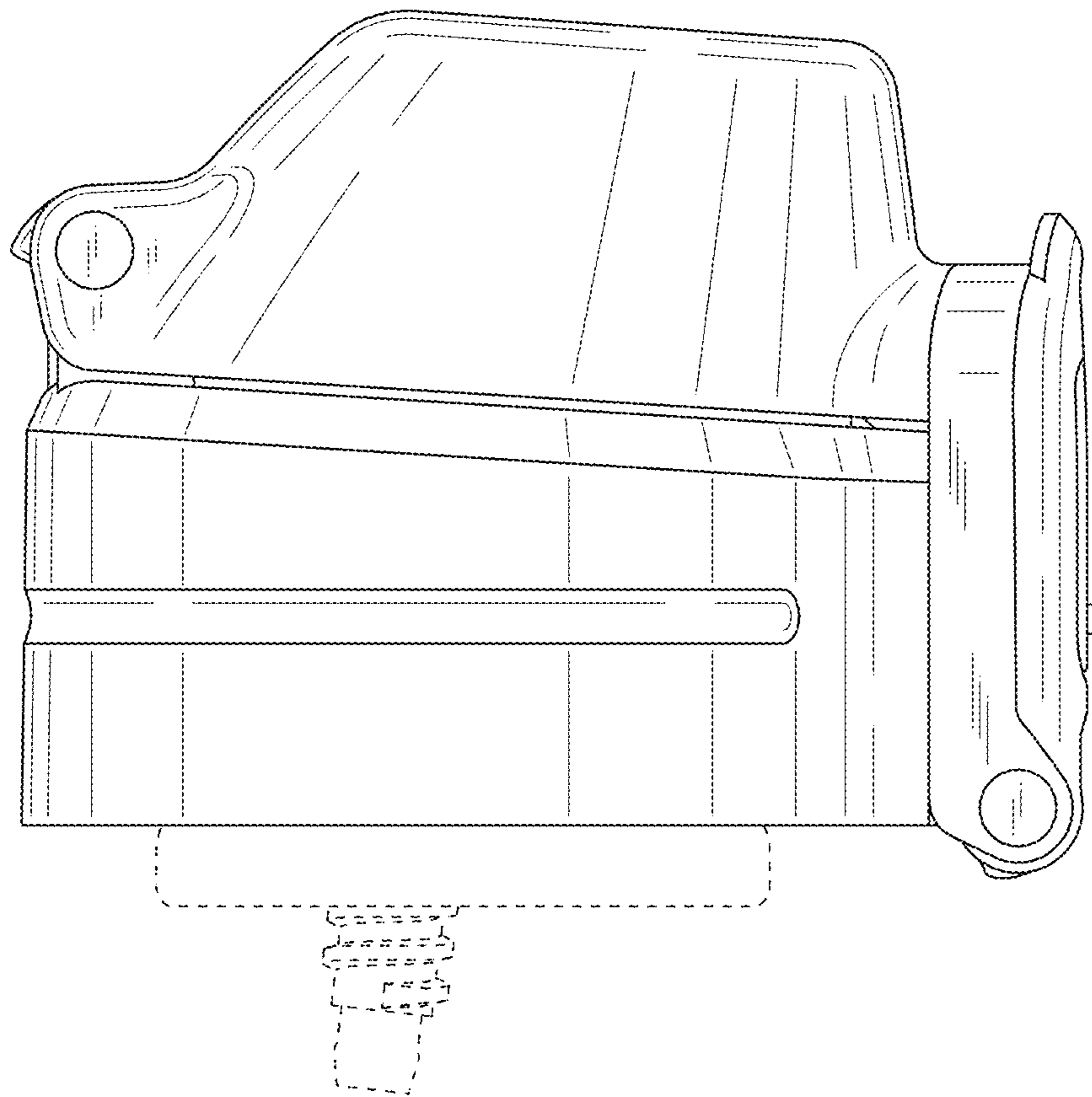


Fig. 6

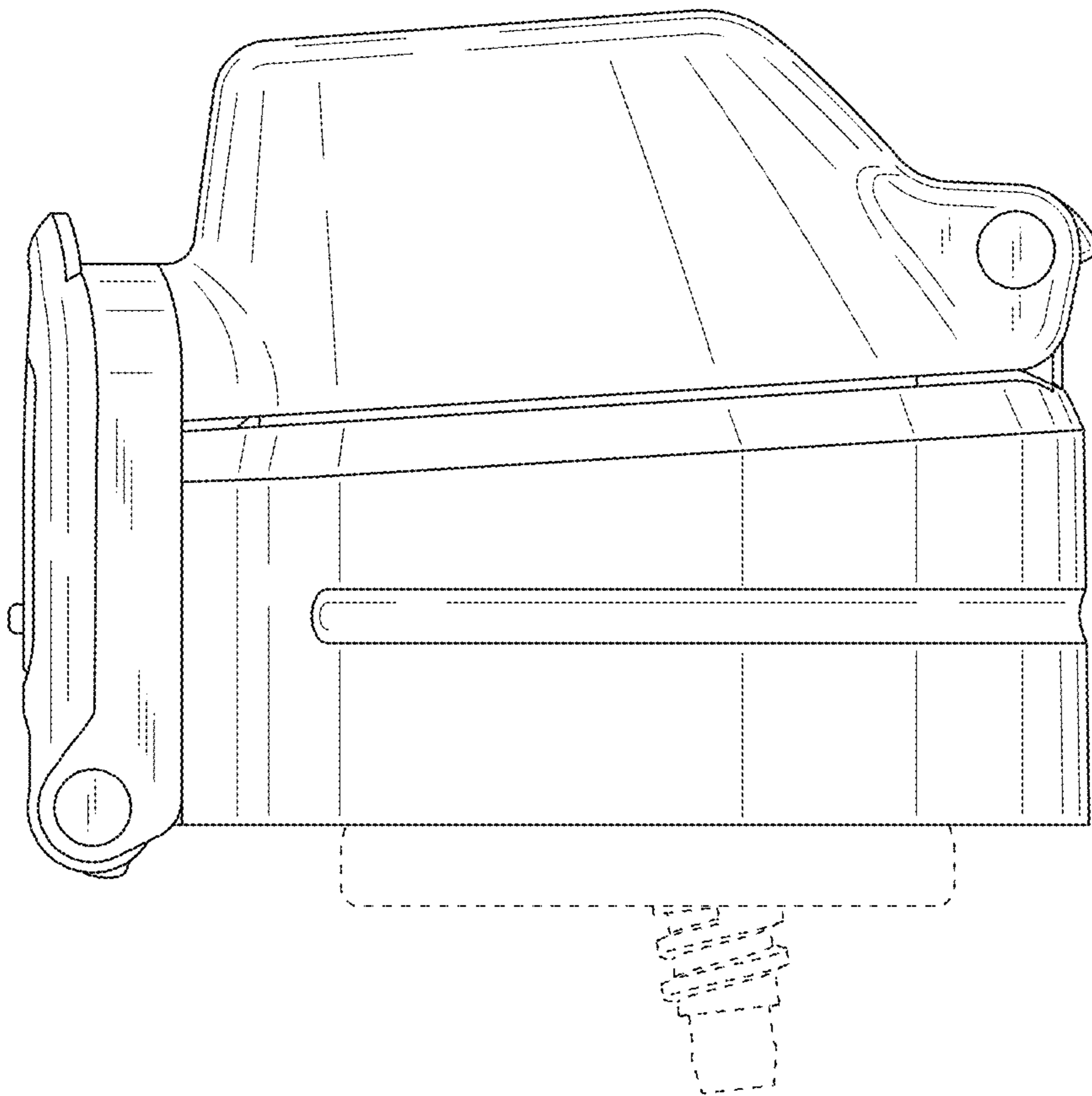


Fig. 7

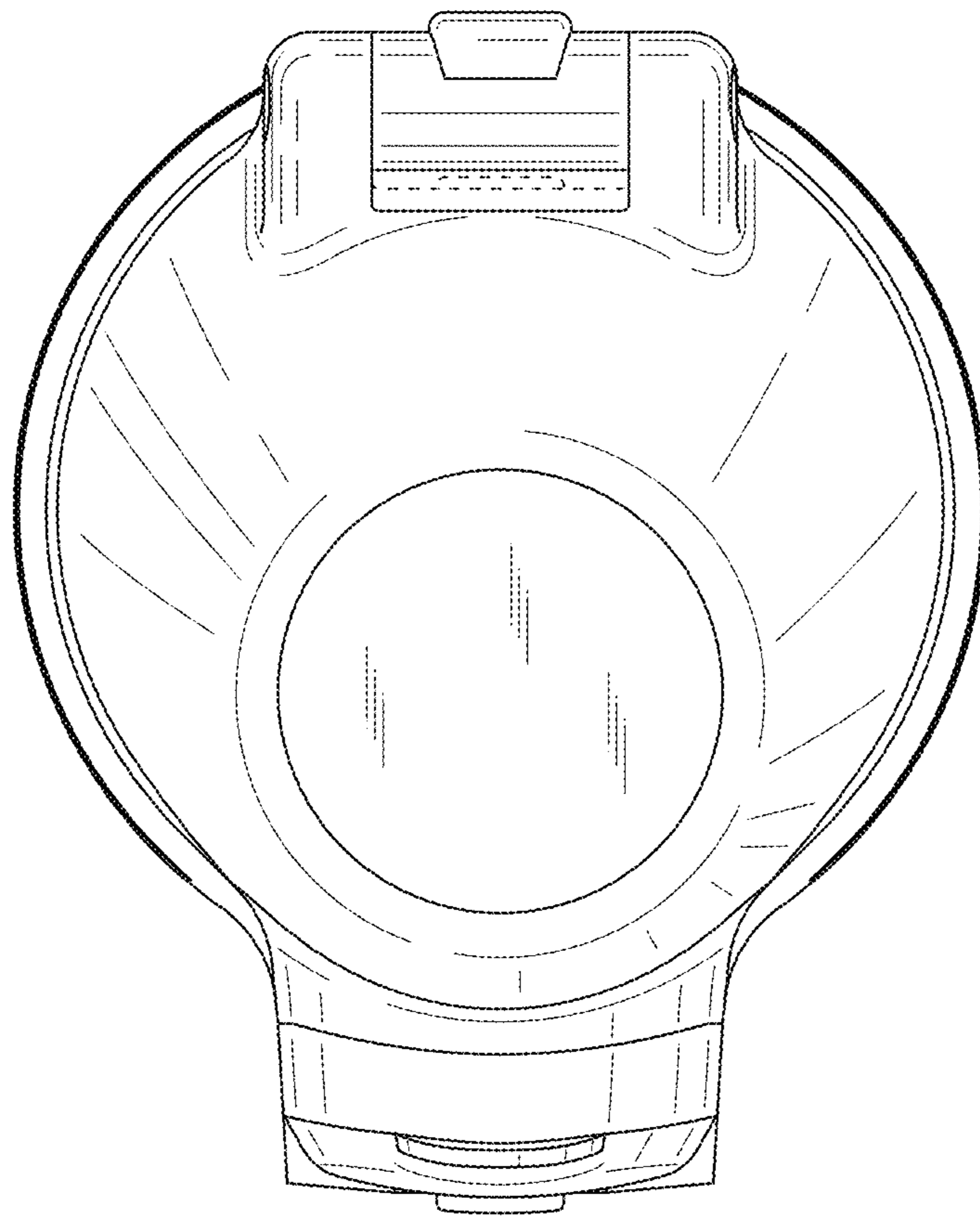


Fig. 8

