



US00D848786S

(12) **United States Design Patent** (10) **Patent No.:** **US D848,786 S**
Bujalska (45) **Date of Patent:** **** May 21, 2019**

(54) **BEVERAGE CONTAINER**

- (71) Applicant: **CamelBak Products, LLC**, Petaluma, CA (US)
- (72) Inventor: **Maria Bujalska**, San Francisco, CA (US)
- (73) Assignee: **CamelBak Products, LLC**, Petaluma, CA (US)
- (**) Term: **15 Years**
- (21) Appl. No.: **29/607,870**
- (22) Filed: **Jun. 16, 2017**
- (51) **LOC (11) Cl.** **07-99**
- (52) **U.S. Cl.**
USPC **D7/392.1; D7/392**
- (58) **Field of Classification Search**
USPC D9/452, 453, 454, 435, 447, 449, 780, D9/434, 424, 430, 443; D7/391, 392, D7/392.1, 510, 511, 538, 540, 542, 543, D7/544, 545, 629, 354, 360, 396.1, 602, D7/705
CPC ... A47G 19/2205; A47G 19/2222; A45F 3/16; A45F 3/20; B67D 7/06; B67D 1/0004; B65D 25/14; B65D 47/065; B65D 47/066; B65D 2543/00101; B65D 2543/00027
See application file for complete search history.

(56) **References Cited**

U.S. PATENT DOCUMENTS

- 2,117,407 A 5/1938 Davis
 - D133,978 S 10/1942 Johnson
 - 2,549,225 A 4/1951 Moy
 - 2,588,275 A 3/1952 Nadai
- (Continued)

FOREIGN PATENT DOCUMENTS

- CN 203064388 U 7/2013
 - CN 103619723 B 3/2014
- (Continued)

OTHER PUBLICATIONS

Camelbak website, Chute Mag 50 Oz (1.5L), Publication date unknown, [site visited May 6, 2018], Available on the Internet URL https://www.camelbak.com/en/bottles/R02024--Chute_Mag_50oz?color=09e6b07a54714912bebd3bc8f3b8f7d8.*

(Continued)

Primary Examiner — Karen S Acker

Assistant Examiner — Steven B Reinholdt, Jr.

(74) *Attorney, Agent, or Firm* — Dascenzo Intellectual Property Law, P.C.; David S. D'Ascenzo

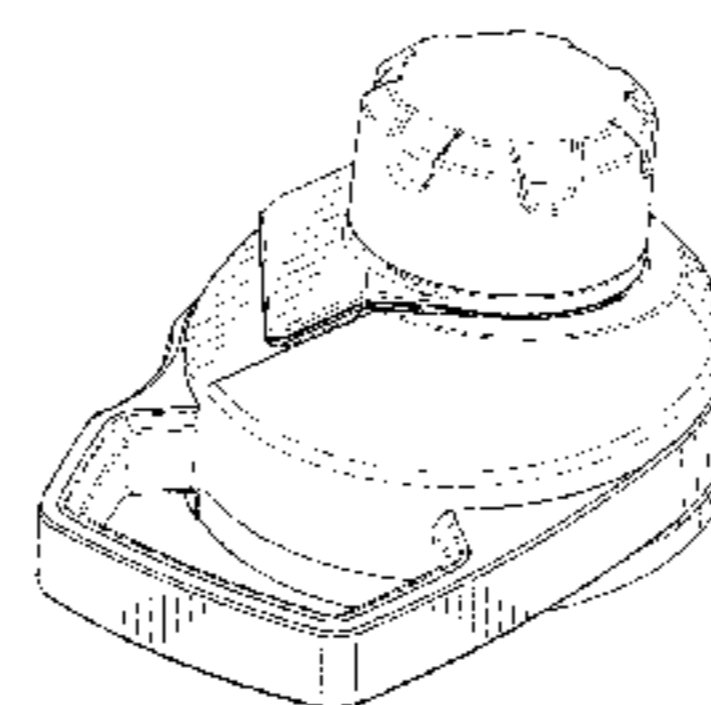
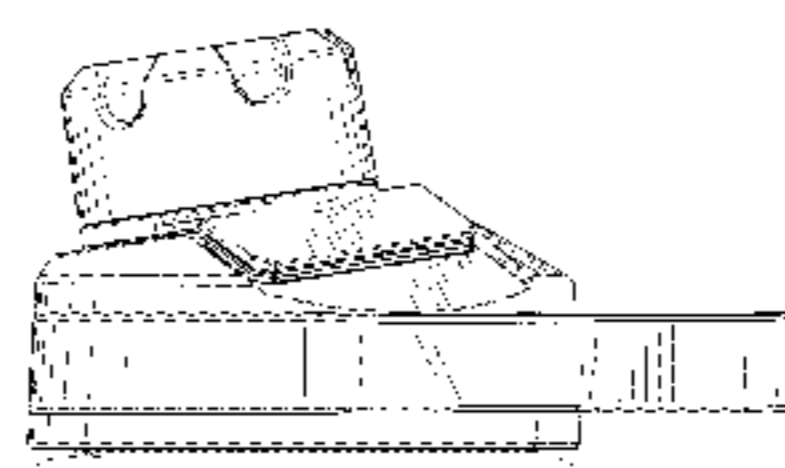
(57) **CLAIM**

The ornamental design for a beverage container, as shown and described.

DESCRIPTION

FIG. 1 is a front perspective view of a beverage container showing the cap design.
 FIG. 2 is a front elevation view of the beverage container of FIG. 1.
 FIG. 3 is a rear elevation view of the beverage container of FIG. 1.
 FIG. 4 is side elevation view of the right side of the beverage container of FIG. 1.
 FIG. 5 is a side elevation view of the left side of the beverage container of FIG. 1.
 FIG. 6 is a top plan view of the beverage container of FIG. 1.
 FIG. 7 is a bottom plan view of the beverage container of FIG. 1; and,
 FIG. 8 is a rear perspective view of the beverage container of FIG. 1.
 The dashed lines shown in the drawings illustrate portions of the beverage container that are not presently claimed and thus form no part of the presently claimed design.

1 Claim, 7 Drawing Sheets



(56)

References Cited

U.S. PATENT DOCUMENTS

2,957,596 A 10/1960 Rehborg
 2,962,185 A 11/1960 Starr et al.
 3,181,725 A 5/1965 Friedl
 3,307,752 A 3/1967 Anderson
 3,944,104 A 3/1976 Watson et al.
 4,265,363 A 5/1981 Conn
 4,711,365 A 12/1987 Fomby
 D319,981 S 9/1991 Sledge
 5,044,512 A 9/1991 Giancaspro et al.
 5,207,341 A 5/1993 Yeager
 5,244,106 A 9/1993 Takacs
 D368,032 S 3/1996 Couto
 5,597,082 A 1/1997 Luch et al.
 D399,744 S 10/1998 Gross
 5,947,310 A 9/1999 Wagner
 6,032,829 A 3/2000 Geisinger et al.
 6,079,589 A 6/2000 Matsuyama et al.
 6,112,926 A 9/2000 Fishman
 6,131,755 A 10/2000 Soyka, Jr. et al.
 6,230,944 B1 5/2001 Castellano et al.
 D457,779 S 5/2002 Gullickson et al.
 6,382,450 B1 5/2002 De Rosa et al.
 D471,808 S 3/2003 de Castro Couto
 6,648,158 B1 11/2003 Lawrence
 6,675,998 B2 1/2004 Forsman et al.
 D489,613 S 5/2004 Campbell et al.
 7,014,077 B2 3/2006 Brown
 D547,607 S 7/2007 Forsman
 7,344,646 B2 3/2008 Flick
 D565,353 S 4/2008 Roth et al.
 7,448,509 B2 11/2008 Yang
 D586,184 S 2/2009 Miller et al.
 D592,913 S 5/2009 Pinelli et al.
 7,533,783 B2 5/2009 Choi et al.
 D605,942 S 12/2009 Miksovsky
 D612,731 S 3/2010 Bragg
 D614,440 S 4/2010 Cresswell et al.
 7,753,240 B2 7/2010 Leoncavallo et al.
 D626,837 S 11/2010 Meyers et al.
 D626,838 S 11/2010 Meyers et al.
 7,866,183 B2 1/2011 Roth et al.
 7,870,968 B2 1/2011 Hanson
 D634,161 S 3/2011 Roth et al.
 D636,671 S 4/2011 Lohrman et al.
 D640,093 S 6/2011 Picozza et al.
 D641,623 S 7/2011 Fields
 7,980,403 B2 7/2011 Martinez
 D643,718 S 8/2011 Fields
 8,051,997 B2 11/2011 Buckley
 D649,879 S 12/2011 Gullickson et al.
 D652,256 S 1/2012 Eyal
 D654,793 S 2/2012 Rosbach
 D657,618 S 4/2012 Wahl
 D657,994 S 4/2012 Wahl et al.
 8,191,727 B2 6/2012 Davies et al.
 8,245,870 B2 8/2012 McKinney et al.
 D669,310 S 10/2012 Barreto et al.
 8,328,037 B2 12/2012 Wu
 8,371,244 B2 2/2013 Krasner
 D678,717 S 3/2013 Yasui
 D679,541 S 4/2013 Samartgis
 D682,034 S 5/2013 El-Saden et al.
 8,443,993 B1 5/2013 Desselle
 8,443,994 B1 5/2013 Desselle
 D683,581 S 6/2013 Archer
 8,469,226 B2 6/2013 Davies et al.
 8,505,787 B2 8/2013 Fox et al.

8,522,997 B2 9/2013 Lane et al.
 8,613,369 B2 12/2013 Kitto
 8,905,252 B2 12/2014 Latham et al.
 D739,174 S * 9/2015 Elsadon D7/392.1
 D741,637 S * 10/2015 Palermo D7/300.1
 D742,230 S * 11/2015 Charles D7/396.2
 9,284,174 B2 3/2016 Springer
 D772,652 S * 11/2016 Yao D7/510
 D781,104 S * 3/2017 Cerasani D7/300.1
 D786,072 S * 5/2017 Breit D9/443
 D787,886 S * 5/2017 Cerasani D7/300.1
 D795,646 S * 8/2017 Sorensen D7/511
 D801,111 S * 10/2017 Eyal D7/392.1
 D802,366 S * 11/2017 Cerasani D7/510
 D807,110 S * 1/2018 Lown D7/391
 2005/0011897 A1 1/2005 Stuart
 2005/0274741 A1 12/2005 Cho
 2007/0039959 A1 2/2007 Choi et al.
 2008/0017642 A1 1/2008 King
 2008/0087624 A1 4/2008 Buckley
 2008/0142466 A1 6/2008 Balitski
 2009/0134112 A1 5/2009 Reeves
 2009/0152231 A1 6/2009 Hanson
 2009/0236341 A1 9/2009 McKinney et al.
 2009/0250426 A1 10/2009 Martinez
 2010/0181329 A1 7/2010 Davies et al.
 2011/0127232 A1 6/2011 Willows et al.
 2011/0174993 A1 7/2011 Blain
 2011/0284541 A1 11/2011 Webster et al.
 2012/0145713 A1 6/2012 Jung
 2012/0298614 A1 11/2012 Nelson
 2017/0043916 A1 2/2017 Seiders et al.
 2017/0158412 A1 6/2017 Seiders et al.

FOREIGN PATENT DOCUMENTS

EP 2673212 A2 12/2013
 FR 2786465 A1 6/2000
 KR 20100008131 A 1/2010
 KR 20140082590 A 7/2014
 WO WO 2012/095491 A1 7/2012
 WO WO 2017/031061 A1 2/2017

OTHER PUBLICATIONS

English-language machine translation of French Patent No. 2786465 A1, Global Patent Solutions, Jun. 29, 2016.
 English-language machine translation of Korean Patent Publication No. 20100008131 A, Global Patent Solutions, Jun. 29, 2016.
 English-language machine translation of Chinese Patent No. 203064388 U, Global Patent Solutions, Jun. 29, 2016.
 English-language machine translation of Chinese Patent No. 103619723 B, Global Patent Solutions, Jun. 29, 2016.
 English-language machine translation of Korean Patent Publication No. 20140082590 A, Global Patent Solutions, Jun. 29, 2016.
 Cool Gear 28oz Subzero Water Bottle, <http://shop.coolgearinc.com/28oz-subzero/>, retrieved Jun. 30, 2016, 4 pages.
 Crestline. "Halo Water Bottle". Wayback Machine, <http://www.crestline.com/halot-water-bottle-9452.aspx>, Jan. 16, 2011, p. 1.
 Diy Water Bottle Hack, <https://everydaycarrysupply.com/blogs/hacksandtips/81155590-diy-water-bottle-hack>, retrieved Jun. 30, 2016, 9 pages.
 Liquid Hardware's Sidewinder Vacuum-Insulated, Magnetic Bottle, <http://www.liquidhardware.com/insulated-aqua-silver-sidewinder-vacuum-bottle-20-oz-592-ml-powder-coated-in-usa/>, retrieved Jun. 23, 2016, 3 pages.

* cited by examiner

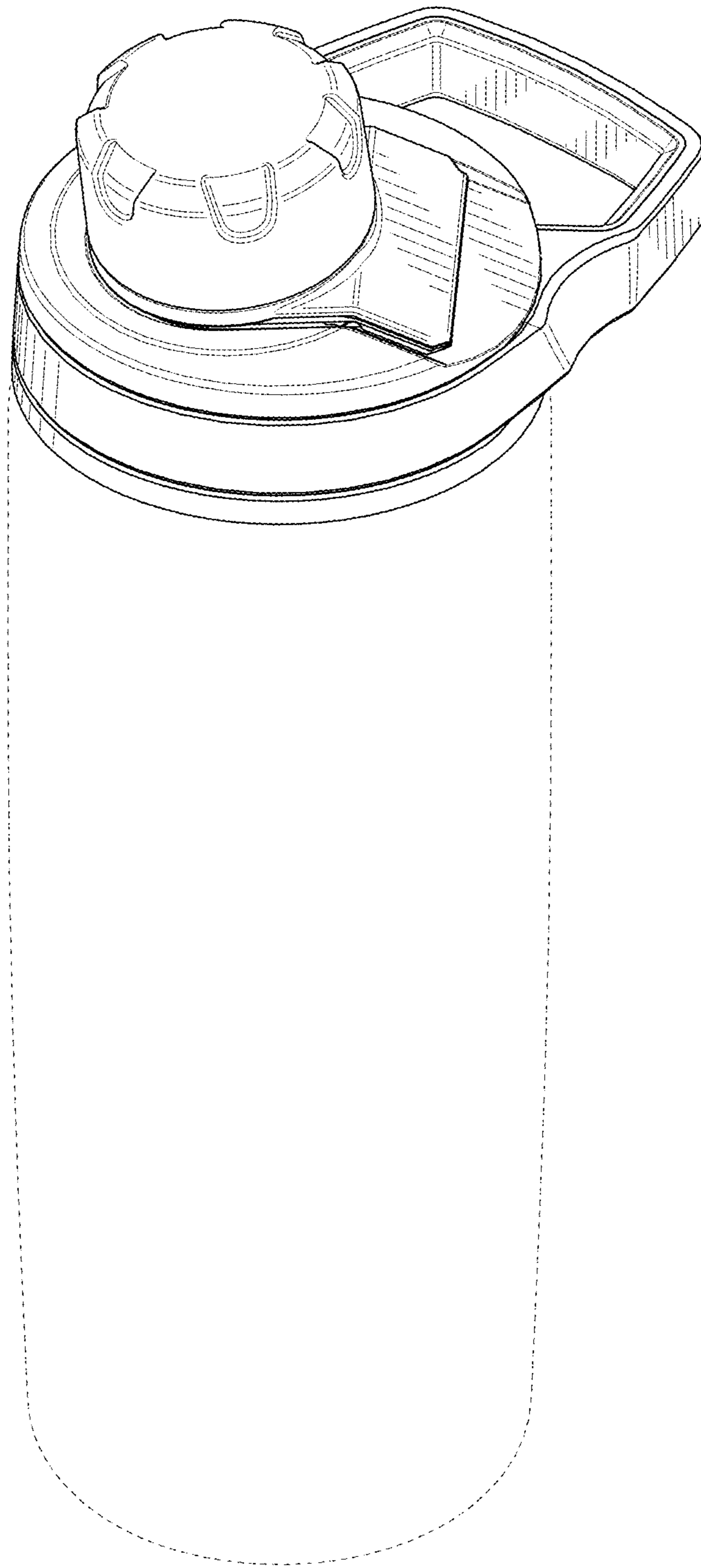


FIG. 1

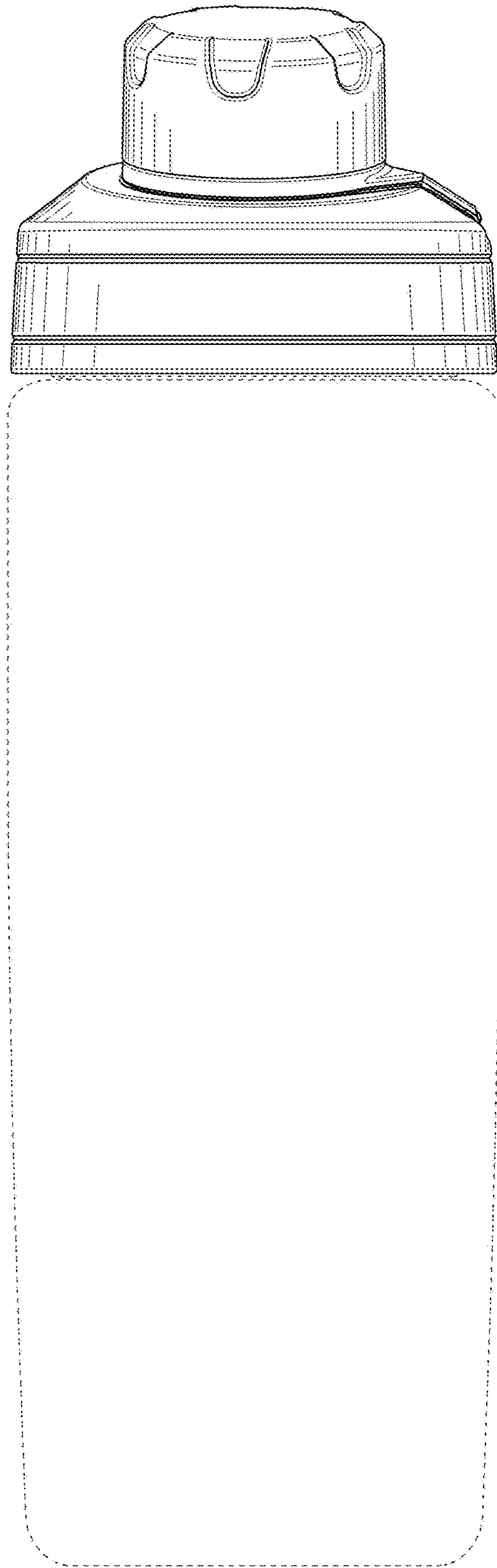


FIG. 2



FIG. 3

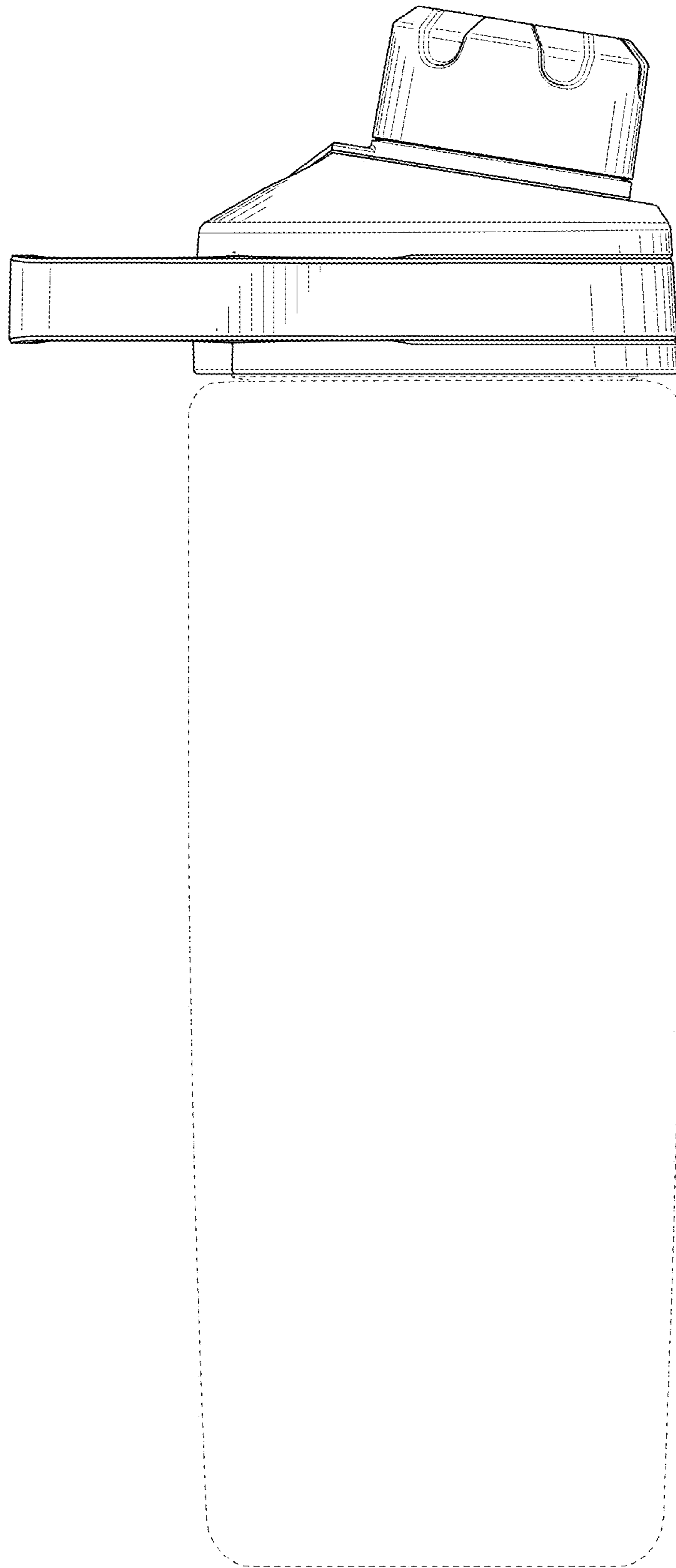


FIG. 4



FIG. 5

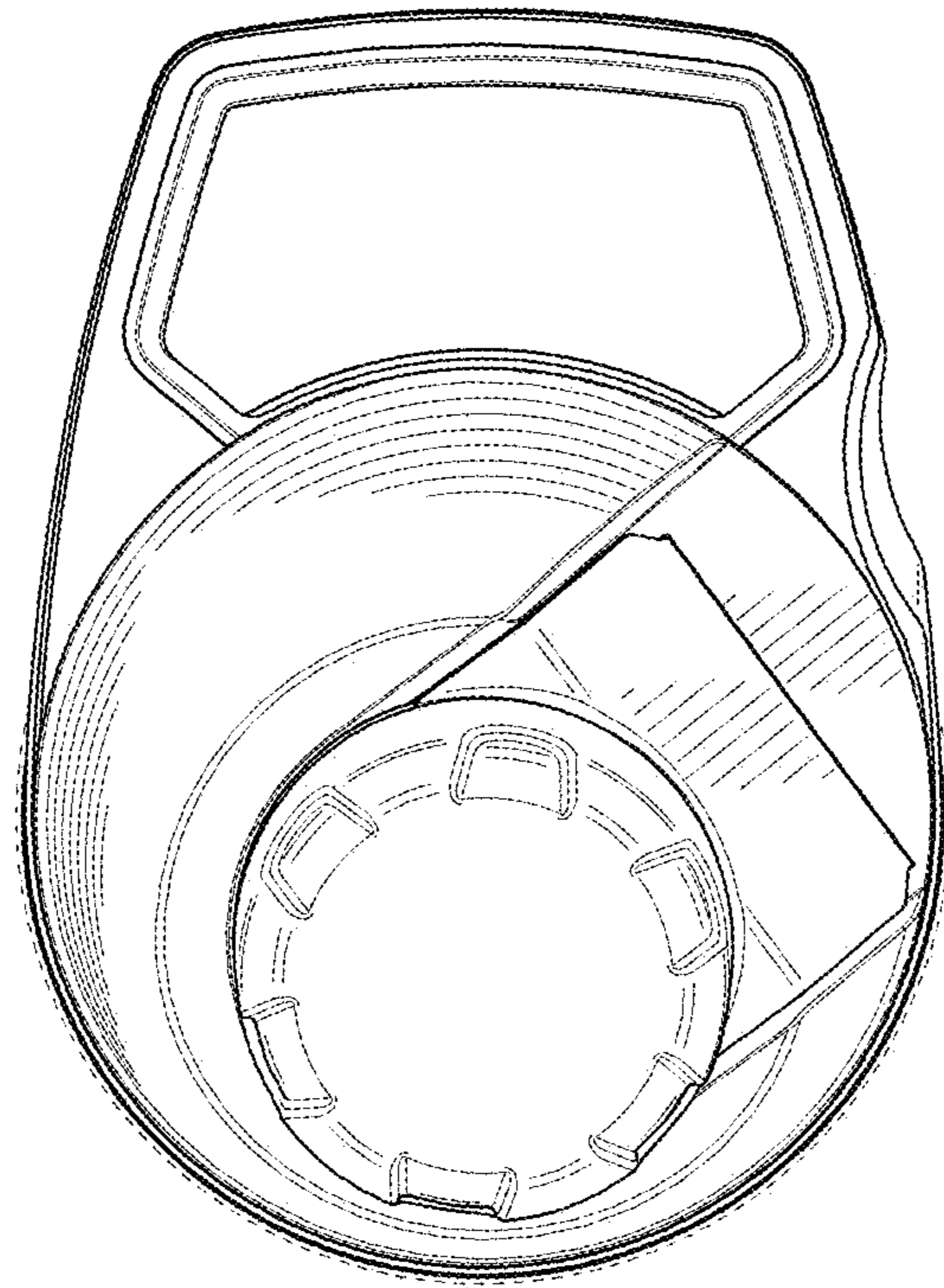


FIG. 6

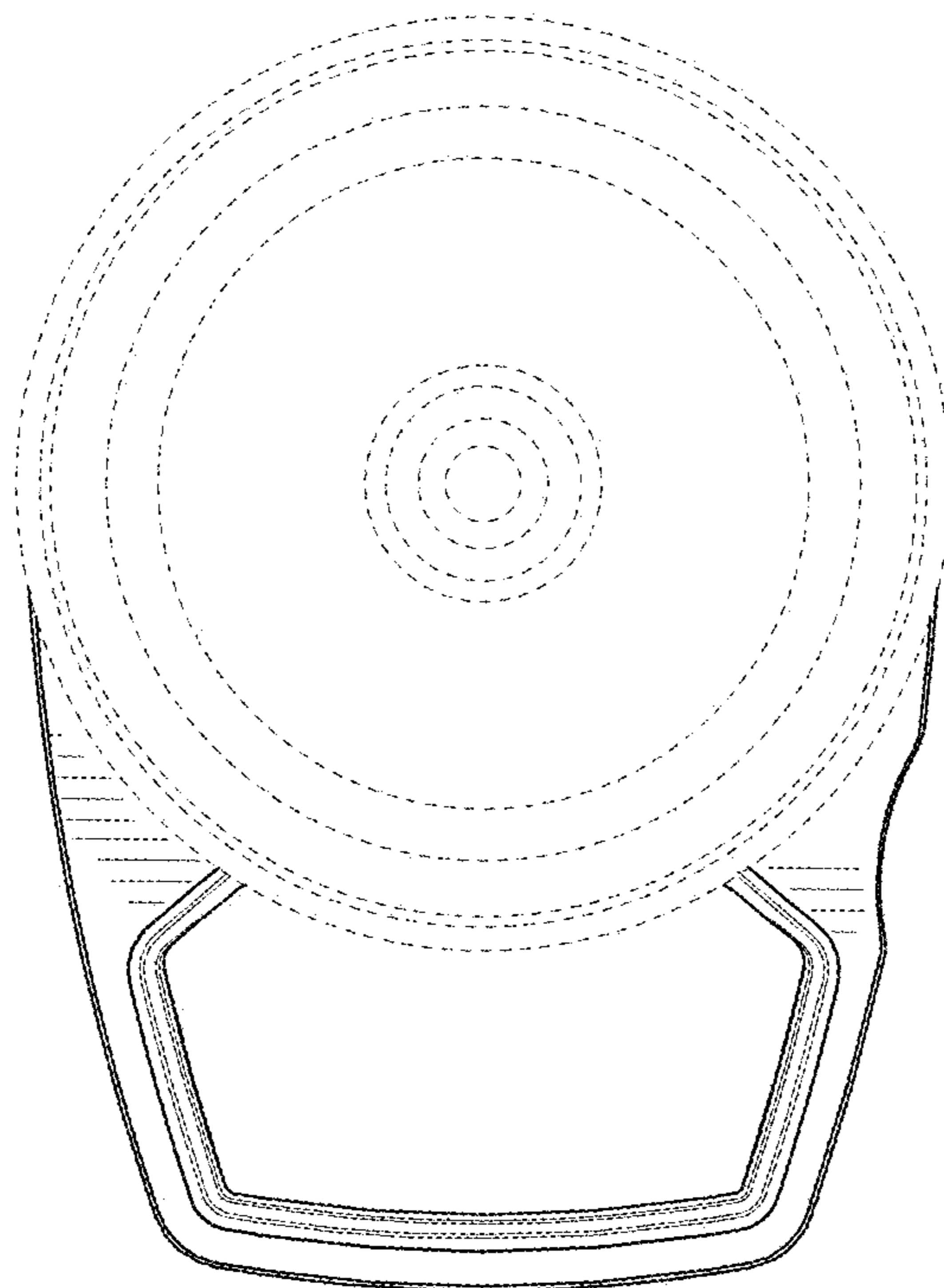


FIG. 7

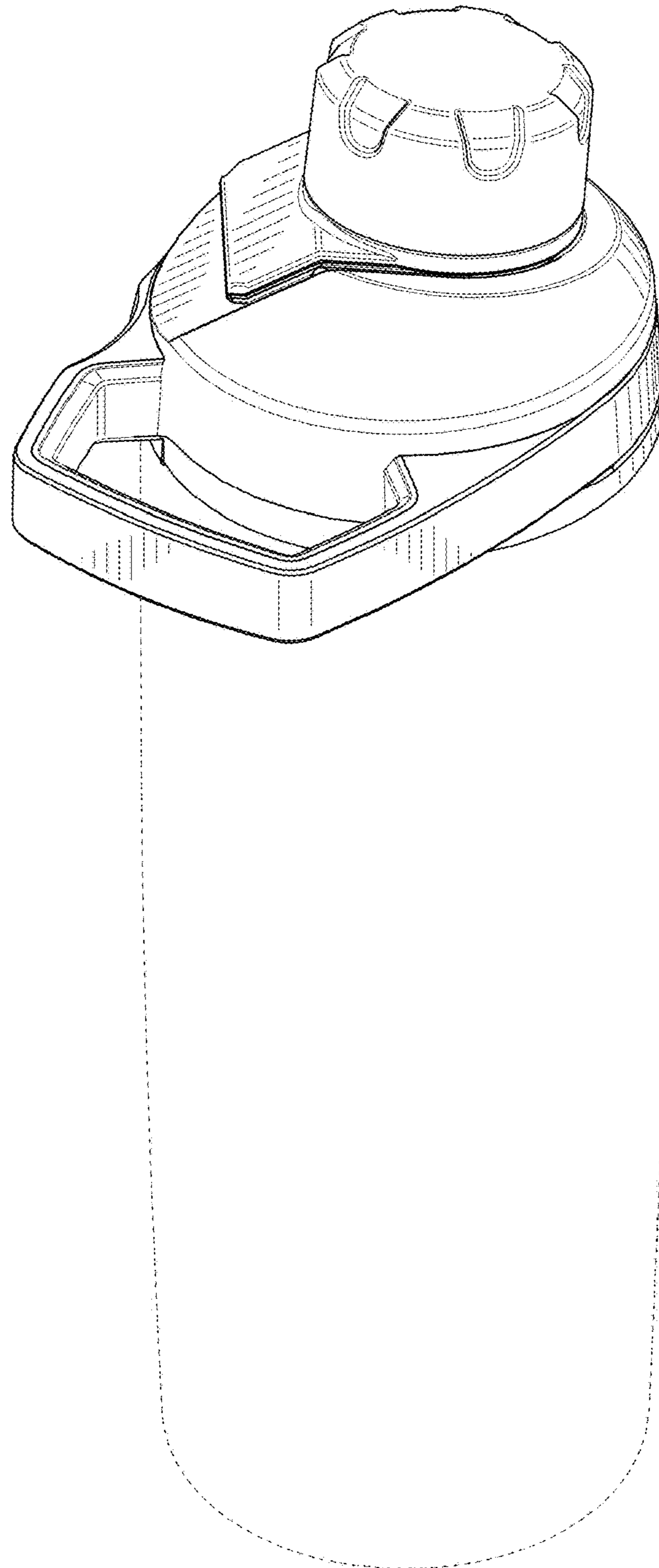


FIG. 8