



US00D848783S

(12) **United States Design Patent** (10) **Patent No.:** **US D848,783 S**  
**Zhong** (45) **Date of Patent:** **\*\* May 21, 2019**

(54) **LID FOR CONTAINER**

(71) Applicant: **XIAMEN LIJIADA ELECTRONICS TECHNOLOGY CO., LTD**, Xiamen (CN)

(72) Inventor: **Wenda Zhong**, Xiamen (CN)

(73) Assignee: **XIAMEN LIJIADA ELECTRONICS TECHNOLOGY CO., LTD**, Xiamen (CN)

(\*\*) Term: **15 Years**

(21) Appl. No.: **29/632,568**

(22) Filed: **Jan. 9, 2018**

(51) **LOC (11) Cl.** ..... **07-02**

(52) **U.S. Cl.**  
USPC ..... **D7/391**

(58) **Field of Classification Search**  
 USPC ..... D7/391, 392, 392.1, 393, 397, 420, 434, D7/443, 629; D9/414, 424-432, 435, D9/443, 451-452  
 CPC ..... A47J 36/027; A47J 36/06; A47J 37/10; A47J 37/101; B65D 21/0209; B65D 43/00; B65D 43/02; B65D 43/022; B65D 43/161; B65D 43/162; B65D 45/00; B65D 45/16; B65D 45/18; B65D 51/16; B65D 51/1683; B65D 51/1688; B65D 51/1694; B65F 1/1615

See application file for complete search history.

(56) **References Cited**

U.S. PATENT DOCUMENTS

D170,104 S *	7/1953	Zabel et al. ....	D9/443
D365,273 S *	12/1995	Indekeu .....	D9/434
D814,920 S *	4/2018	Georgiadis .....	D9/420
D830,790 S *	10/2018	Lee .....	D7/629
D830,791 S *	10/2018	Lee .....	D7/629

\* cited by examiner

*Primary Examiner* — Ricky Pham

(74) *Attorney, Agent, or Firm* — Gokalp Bayramoglu

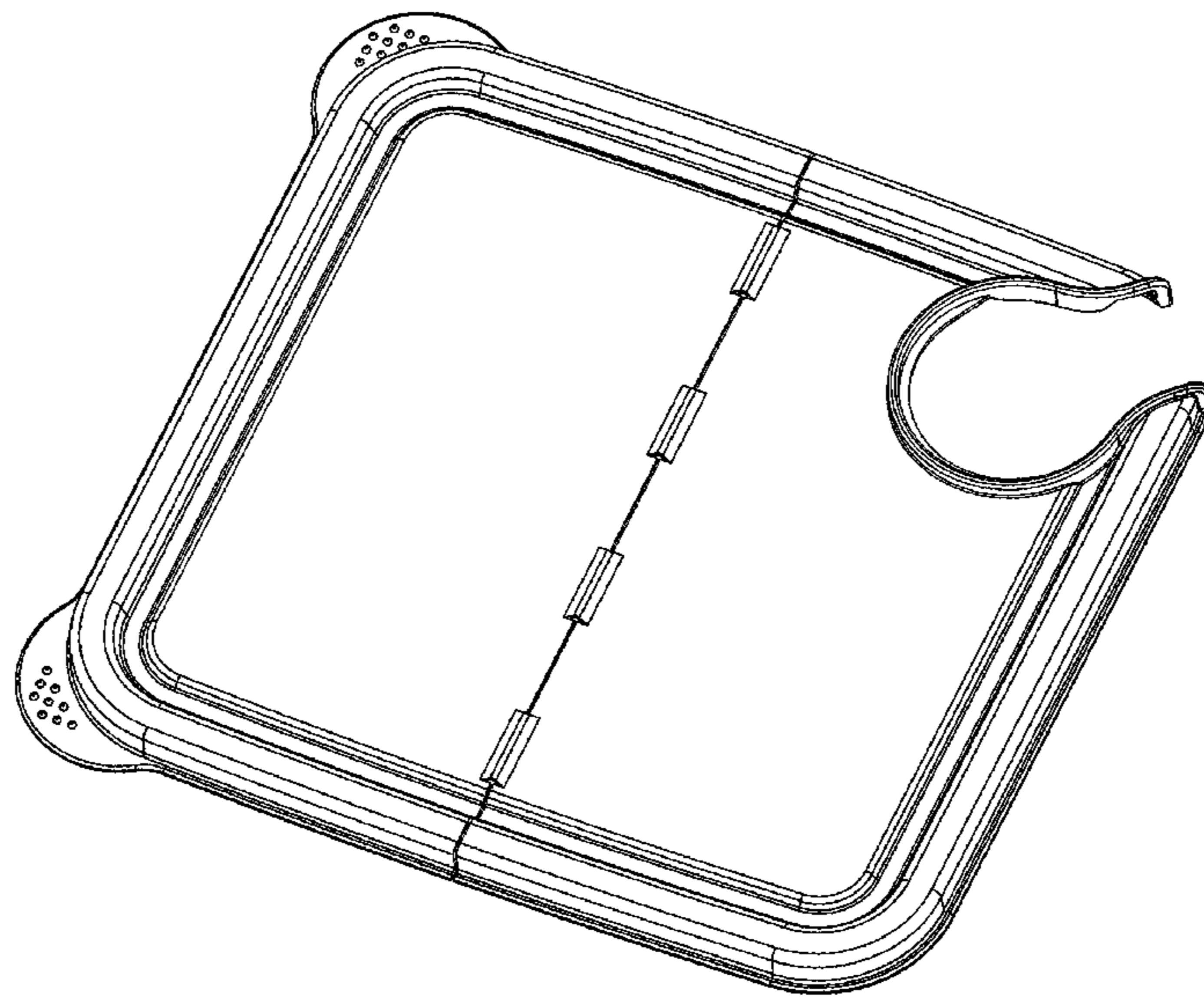
(57) **CLAIM**

The ornamental design for the lid for container, as shown and described.

**DESCRIPTION**

FIG. 1 is a front view of the lid for container, showing my new design;  
 FIG. 2 is a back view of the lid for container;  
 FIG. 3 is a right view of the lid for container;  
 FIG. 4 is a left view of the lid for container;  
 FIG. 5 is a bottom view of the lid for container;  
 FIG. 6 is a top view of the lid for container;  
 FIG. 7 is a perspective view of the lid for container; and,  
 FIG. 8 is a cross-sectional view taken through line 8-8 of FIG. 1.

**1 Claim, 8 Drawing Sheets**



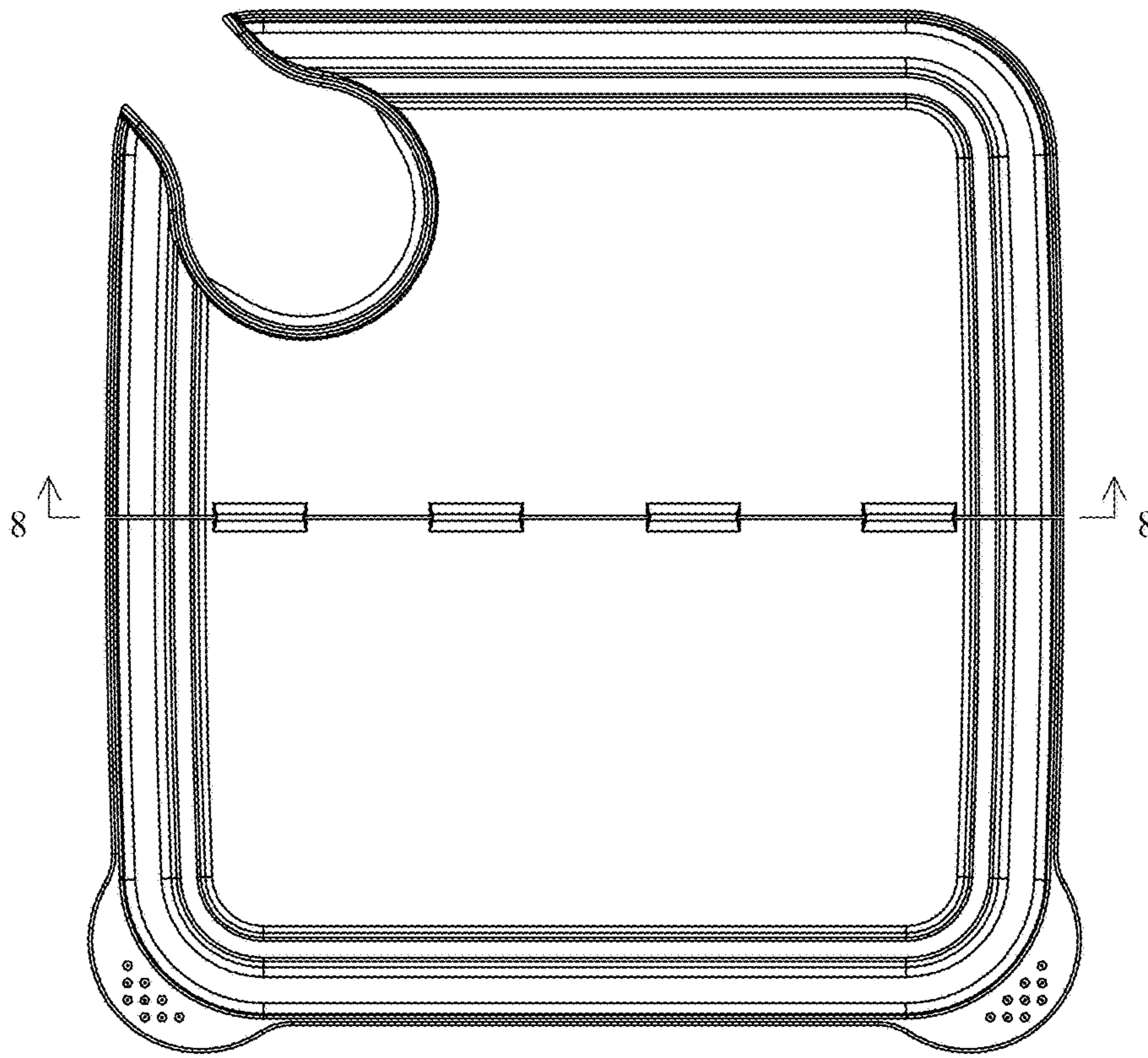


FIG. 1

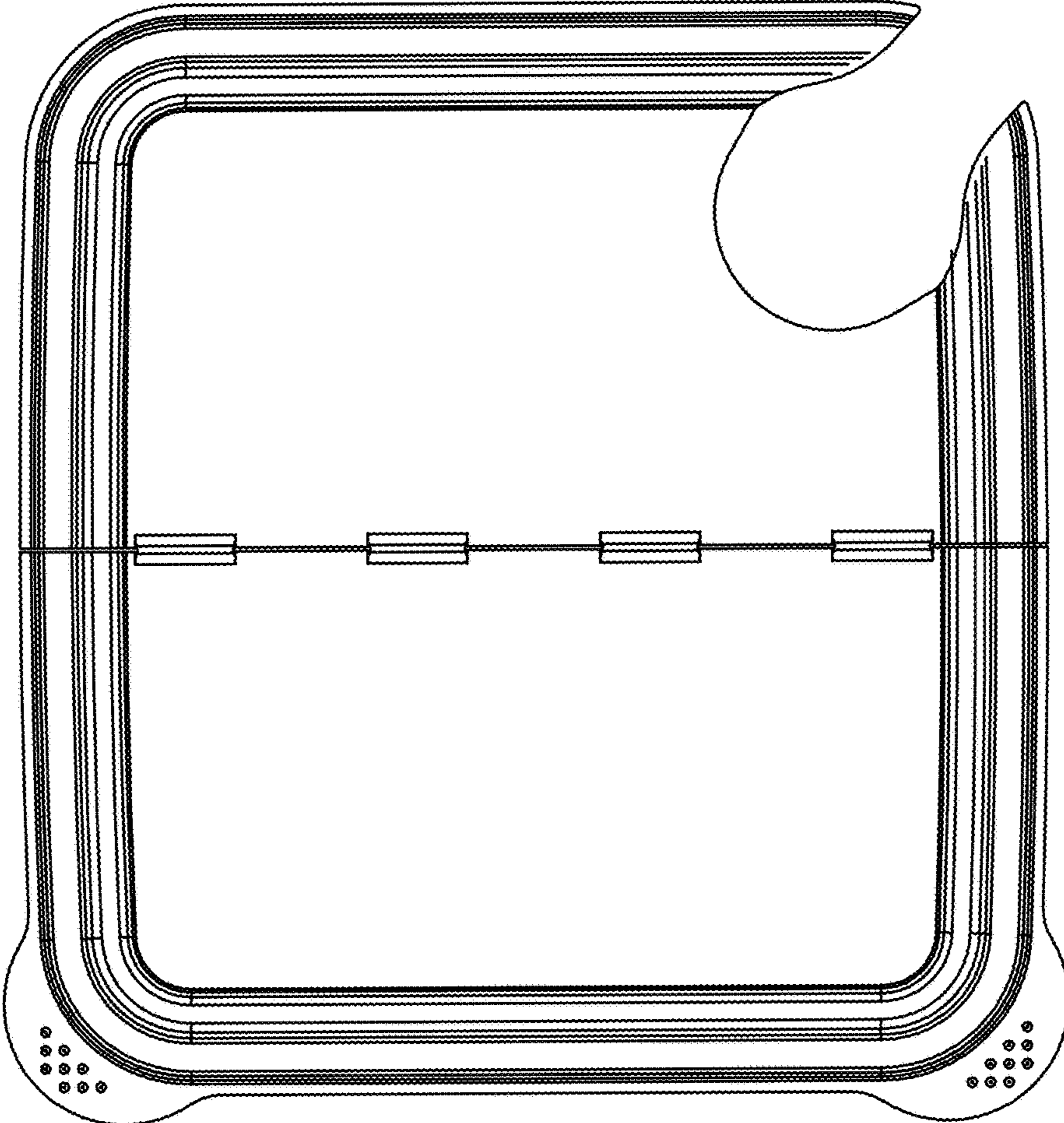


FIG. 2

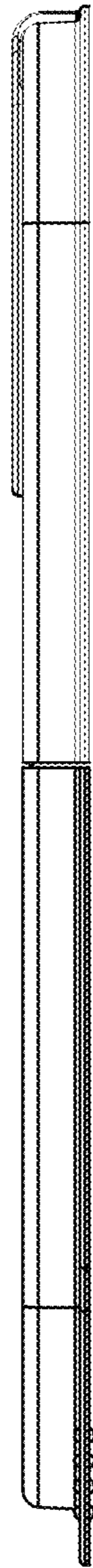


FIG. 3

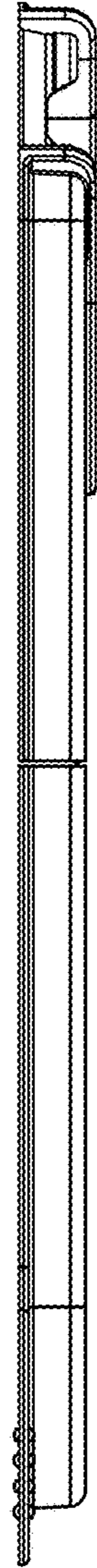


FIG. 4

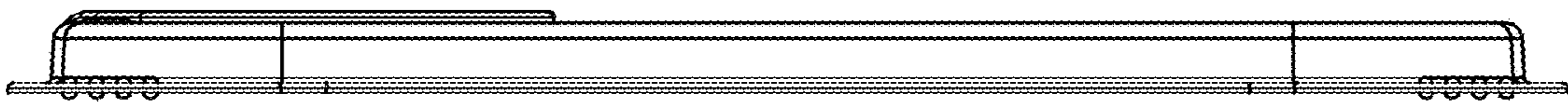


FIG. 5



FIG. 6

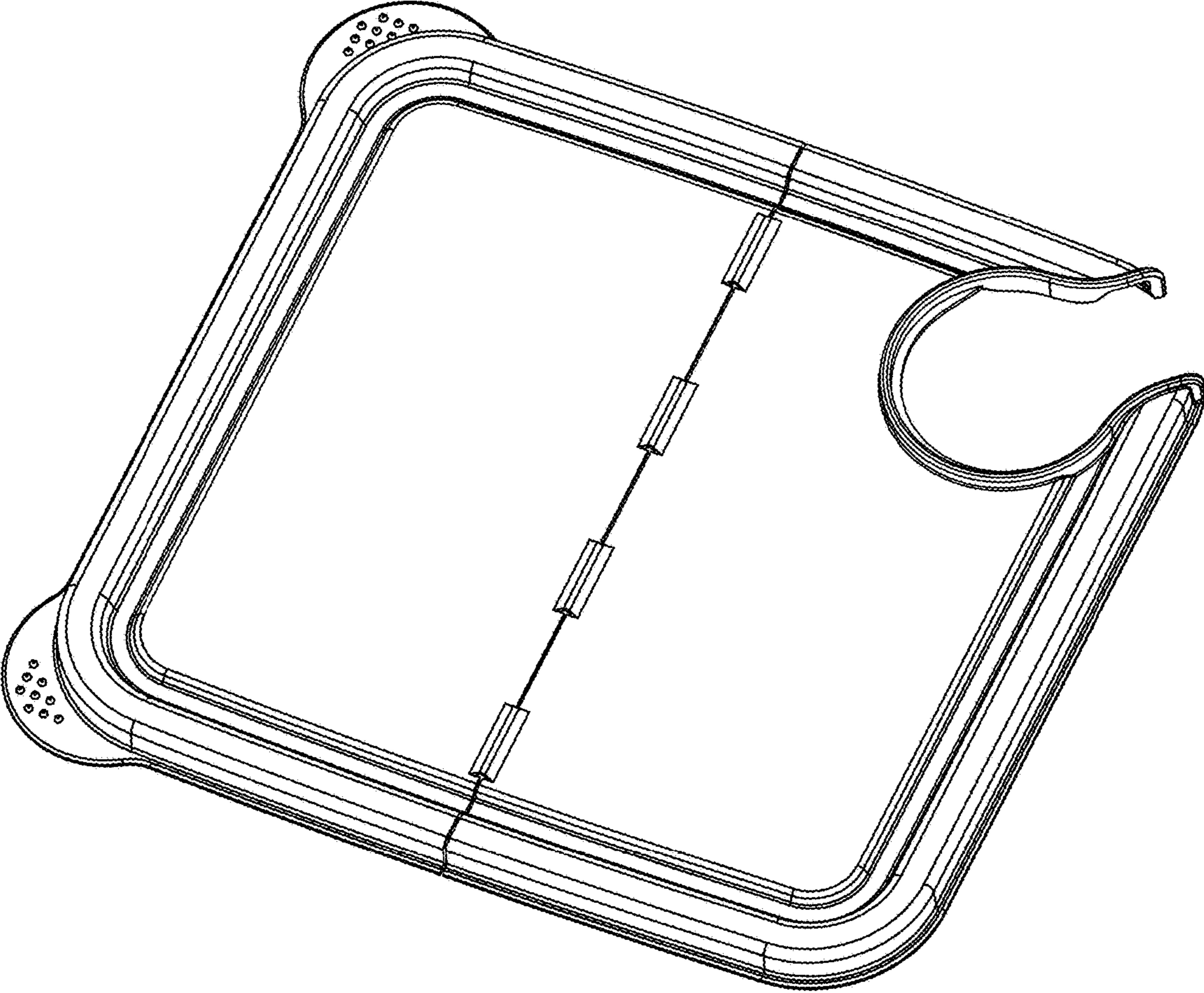


FIG. 7





FIG. 8