

US00D848780S

(12) **United States Design Patent** (10) **Patent No.:** **US D848,780 S**
Lombardo et al. (45) **Date of Patent:** **** May 21, 2019**

(54) **EGG COOKING DEVICE**

(56) **References Cited**

(71) Applicants: **LoriAnn Lombardo**, East Hanover, NJ (US); **Aaron Szymanski**, Thomaston, CT (US); **Lana Rascionato**, Totowa, NJ (US)

U.S. PATENT DOCUMENTS

D208,648 S *	9/1967	Warner	D7/611
D368,414 S *	4/1996	VanHalteren	D7/675
D443,478 S *	6/2001	Miller	D7/540
D447,684 S *	9/2001	Hogman	D9/757
D459,988 S *	7/2002	Hogman	D9/757
D504,286 S *	4/2005	de Cleir	D7/675
D535,517 S *	1/2007	Dolgonos	D7/373
D606,421 S *	12/2009	Krummenacher	D9/757
D654,759 S *	2/2012	Browning	D7/354
D714,093 S *	9/2014	Browning	D7/354
D747,621 S *	1/2016	Amerson	D7/354
D782,334 S *	3/2017	Bishop	D9/757
D825,253 S *	8/2018	Kilicarslan	D7/354

(72) Inventors: **LoriAnn Lombardo**, East Hanover, NJ (US); **Aaron Szymanski**, Thomaston, CT (US); **Lana Rascionato**, Totowa, NJ (US)

(73) Assignee: **IdeaVillage Products Corporation**, Wayne, NJ (US)

(**) Term: **15 Years**

* cited by examiner

(21) Appl. No.: **29/651,316**

Primary Examiner — Ricky Pham

(22) Filed: **Apr. 23, 2018**

(74) *Attorney, Agent, or Firm* — Dan DeLaRosa

Related U.S. Application Data

(63) Continuation-in-part of application No. 29/651,186, filed on Feb. 5, 2018, and a continuation-in-part of application No. 29/651,182, filed on Feb. 5, 2018.

(51) **LOC (11) Cl.** **07-02**

(52) **U.S. Cl.**
USPC **D7/357**; D7/354

(58) **Field of Classification Search**
USPC D7/323, 354–361, 373, 500, 501, 503, D7/540, 600, 611, 675; D9/757

CPC A01K 41/02; A01K 41/023; A01K 41/026; A01K 41/06; A21B 3/132; A21B 5/02; A21B 5/026; A21B 5/04; A21C 11/106; A23B 5/00; A23B 5/005; A23B 5/0052; A47G 19/00; A47G 23/025; A47J 27/00; A47J 27/004; A47J 29/00; A47J 29/02; A47J 29/04; A47J 29/06; A47J 36/025; A47J 36/06; A47J 36/12; A63B 71/0045

See application file for complete search history.

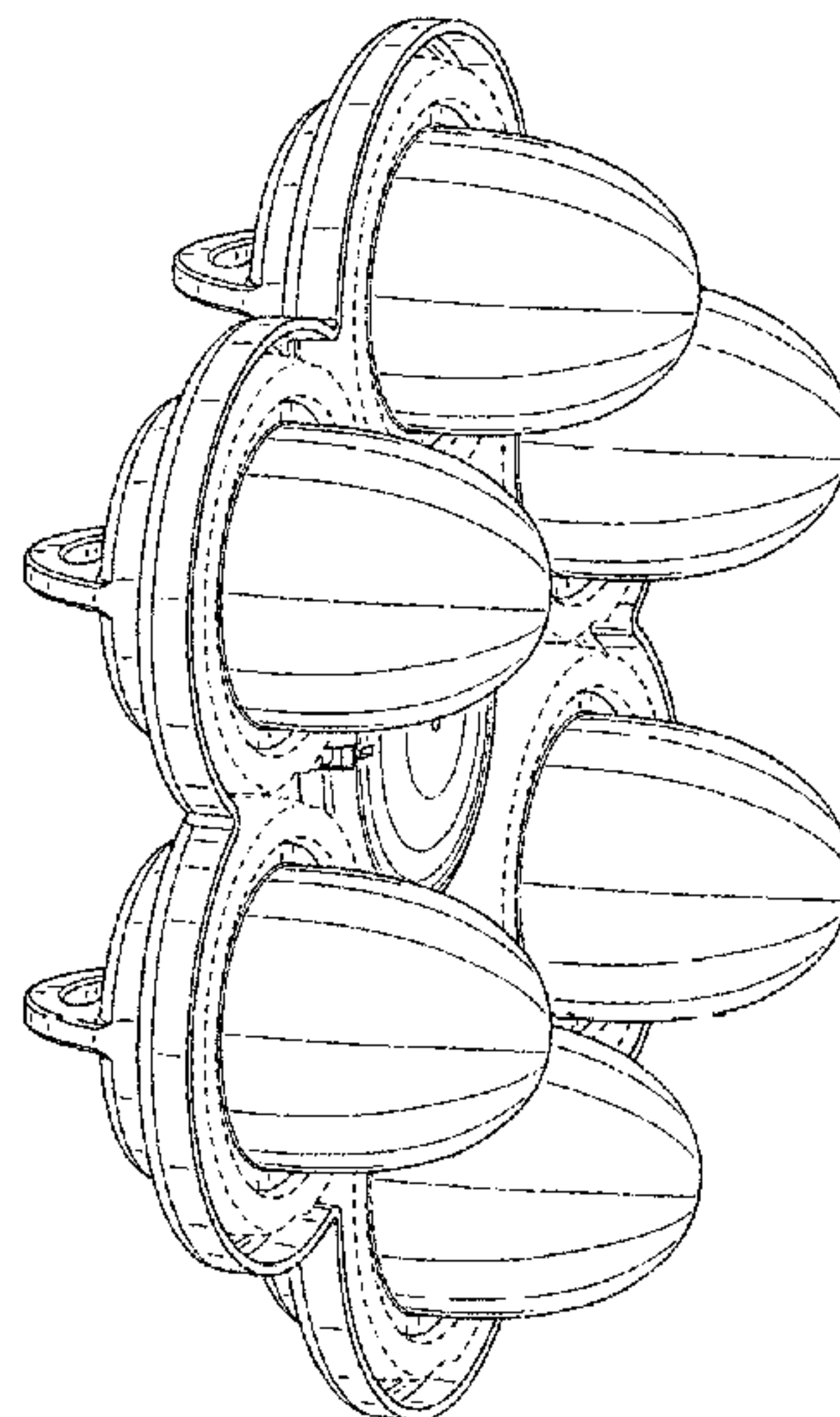
(57) **CLAIM**

The ornamental design for an egg cooking device, as shown and described.

DESCRIPTION

FIG. 1 is a perspective view of an egg cooking device of the present invention showing our new design; FIG. 2 is a bottom plan view thereof; FIG. 3 is top plan view thereof; FIG. 4 is a front side elevation view thereof; FIG. 5 is hack side elevation view thereof; FIG. 6 is a side elevation view thereof; and, FIG. 7 is another side elevation view thereof. The broken lines shown in the drawings are for illustrative purposes only and form no part of the claimed design.

1 Claim, 7 Drawing Sheets



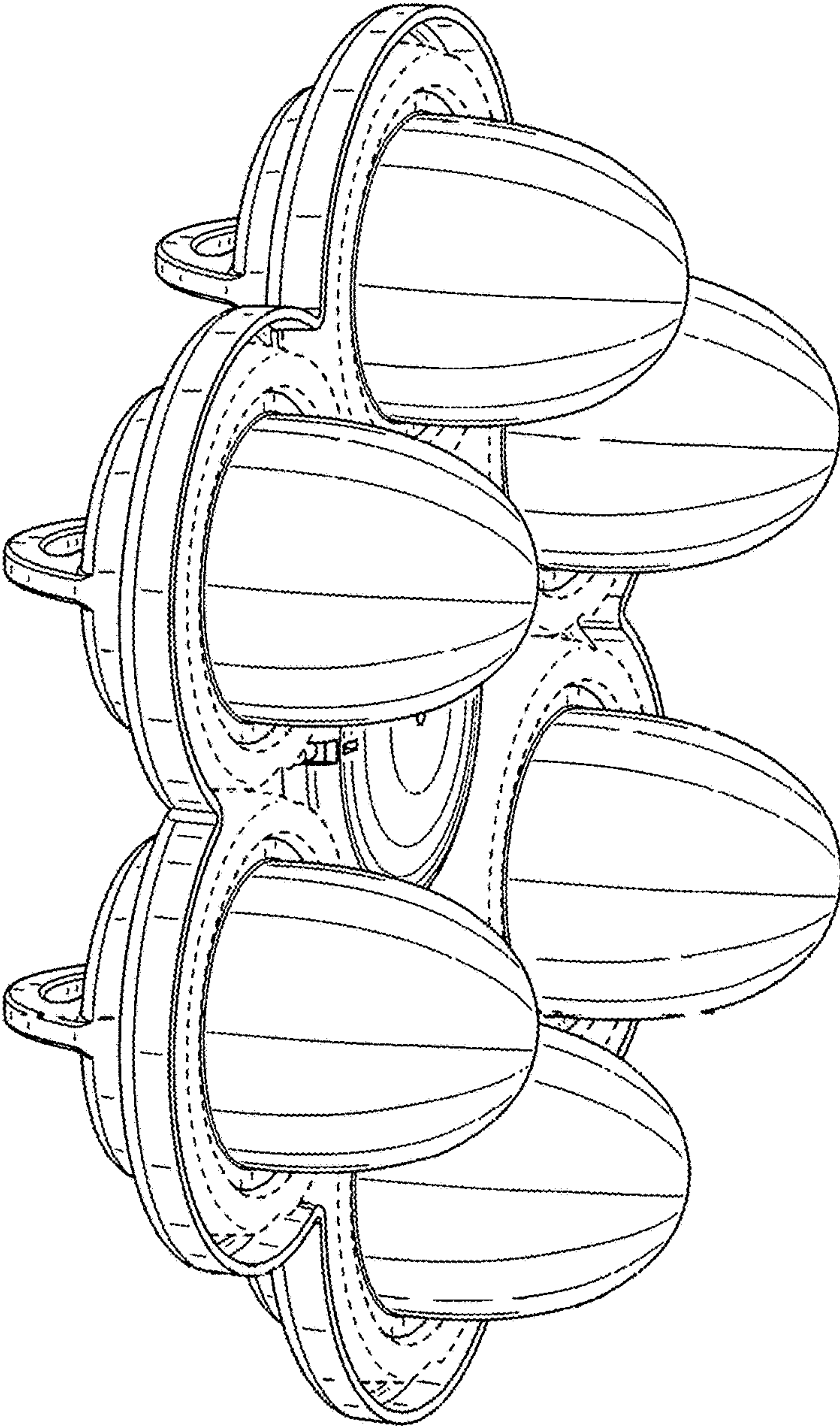


FIG. 1

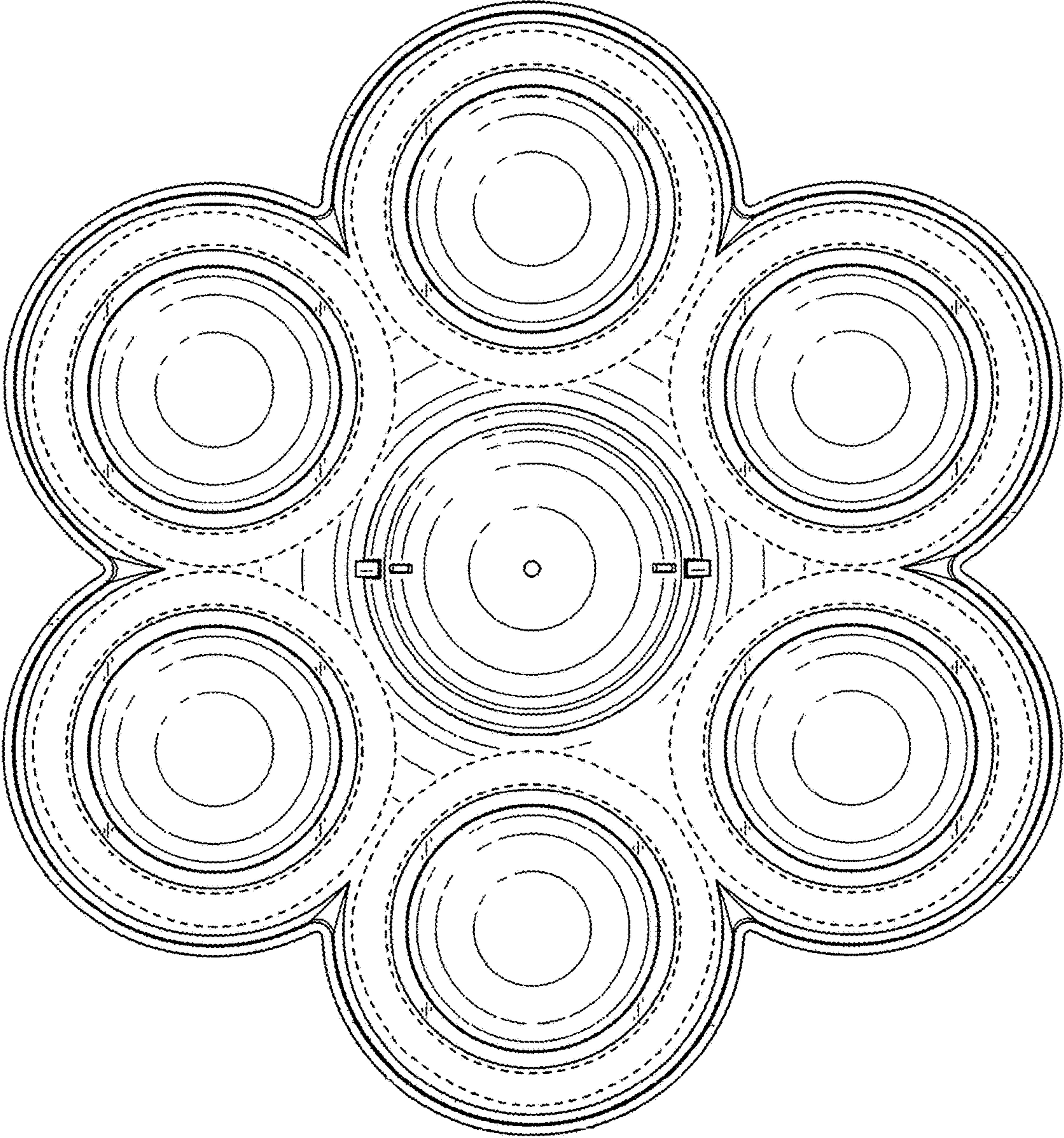


FIG. 2

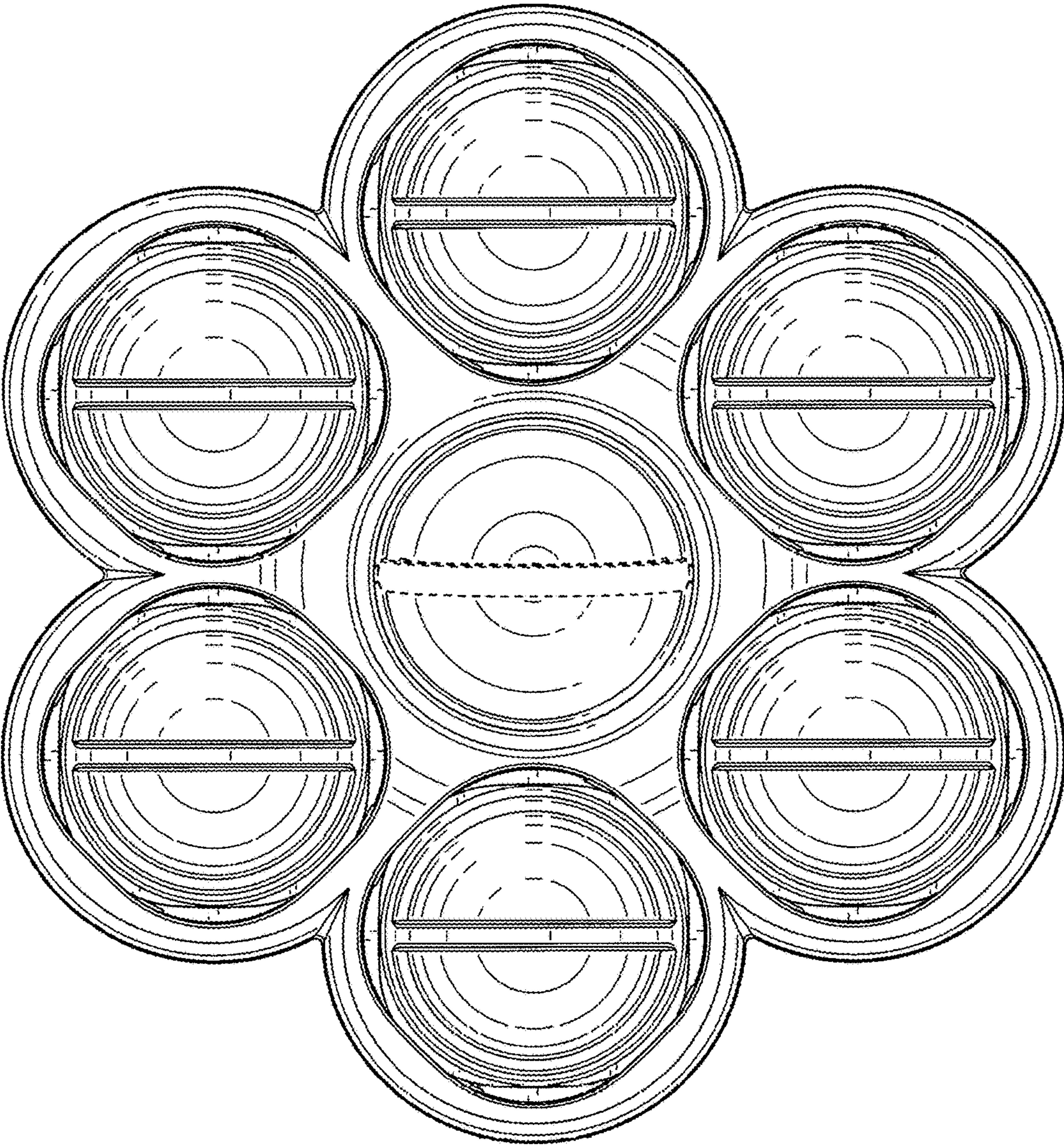


FIG. 3

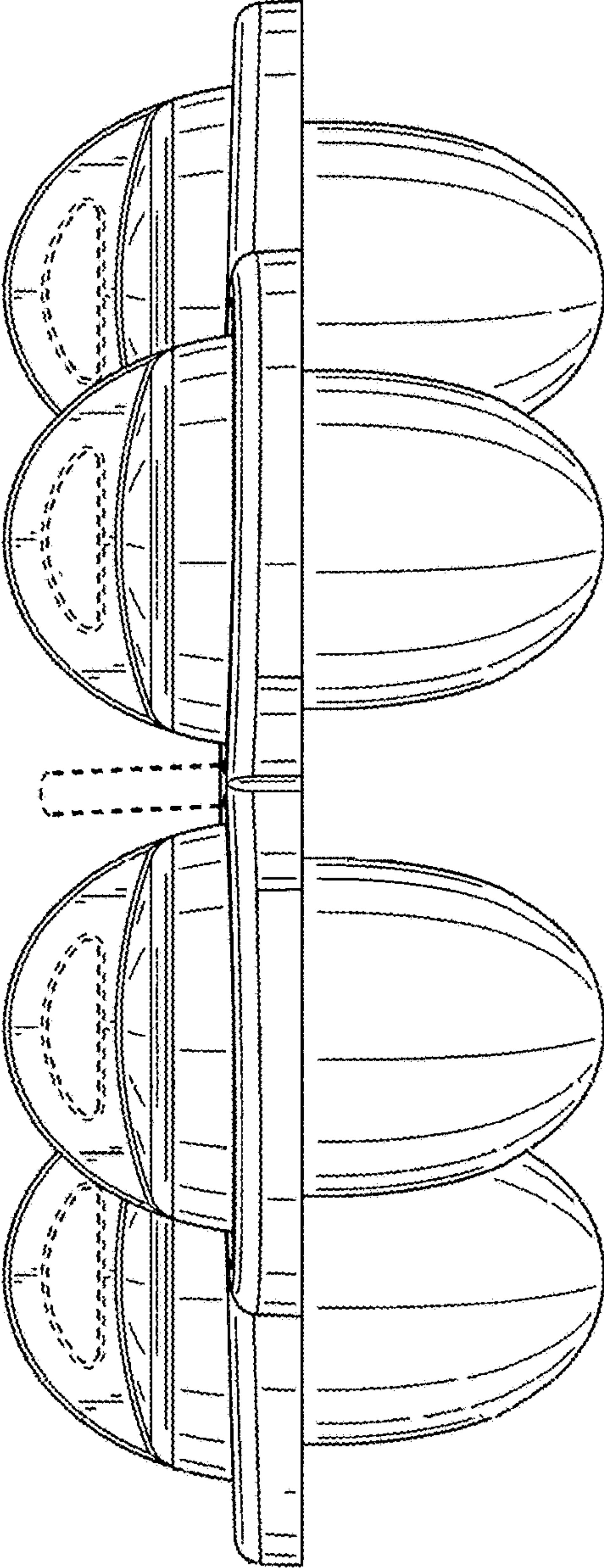


FIG. 4

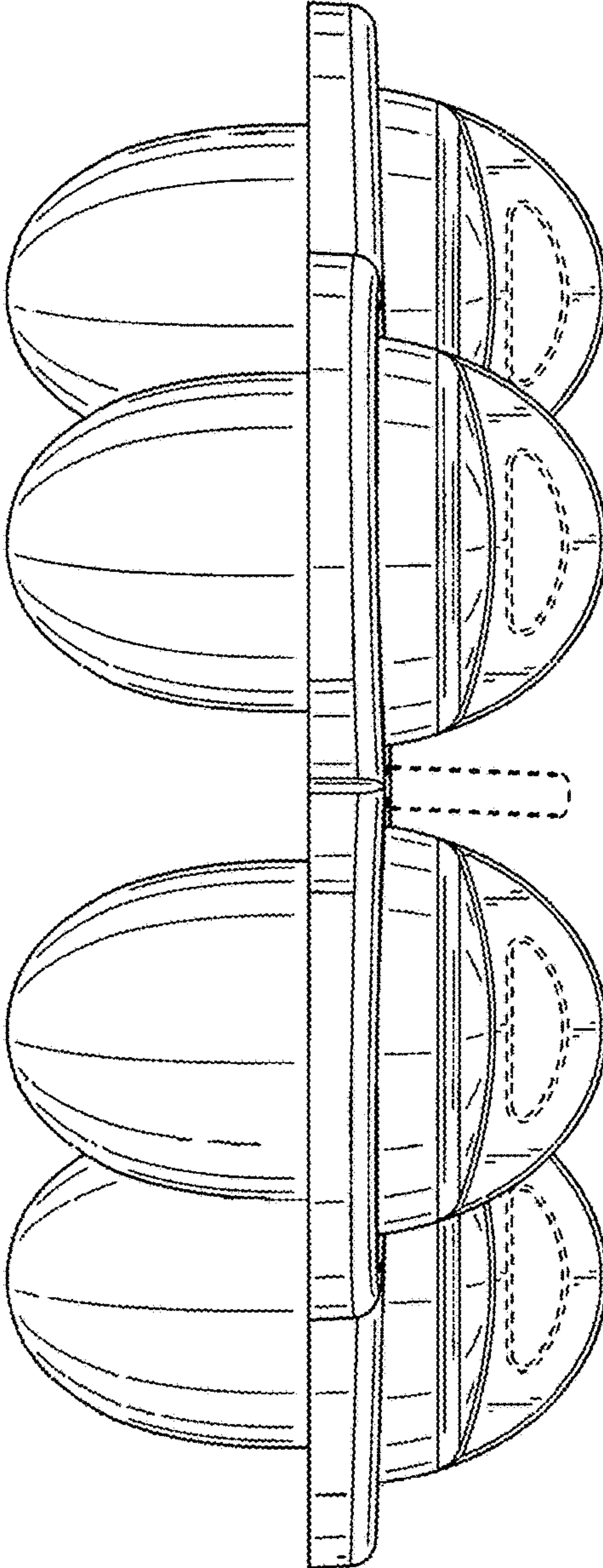


FIG. 5

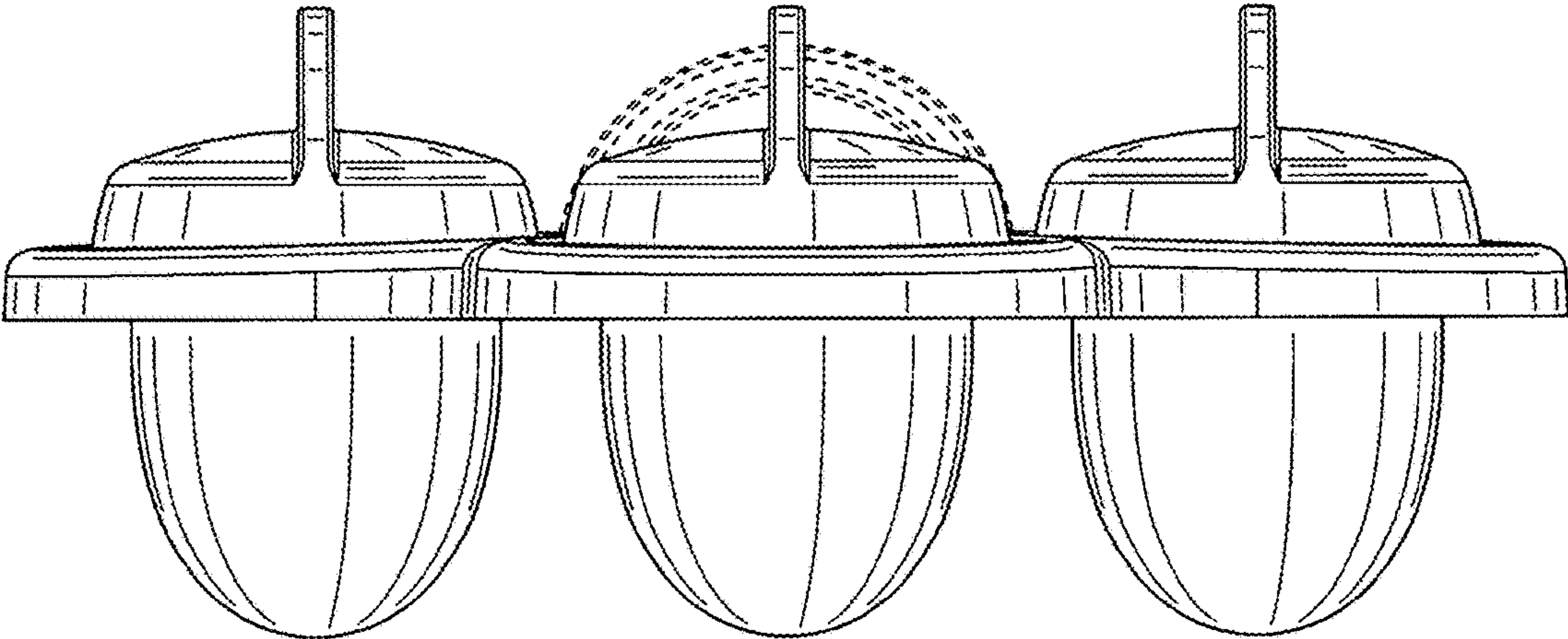


FIG. 6

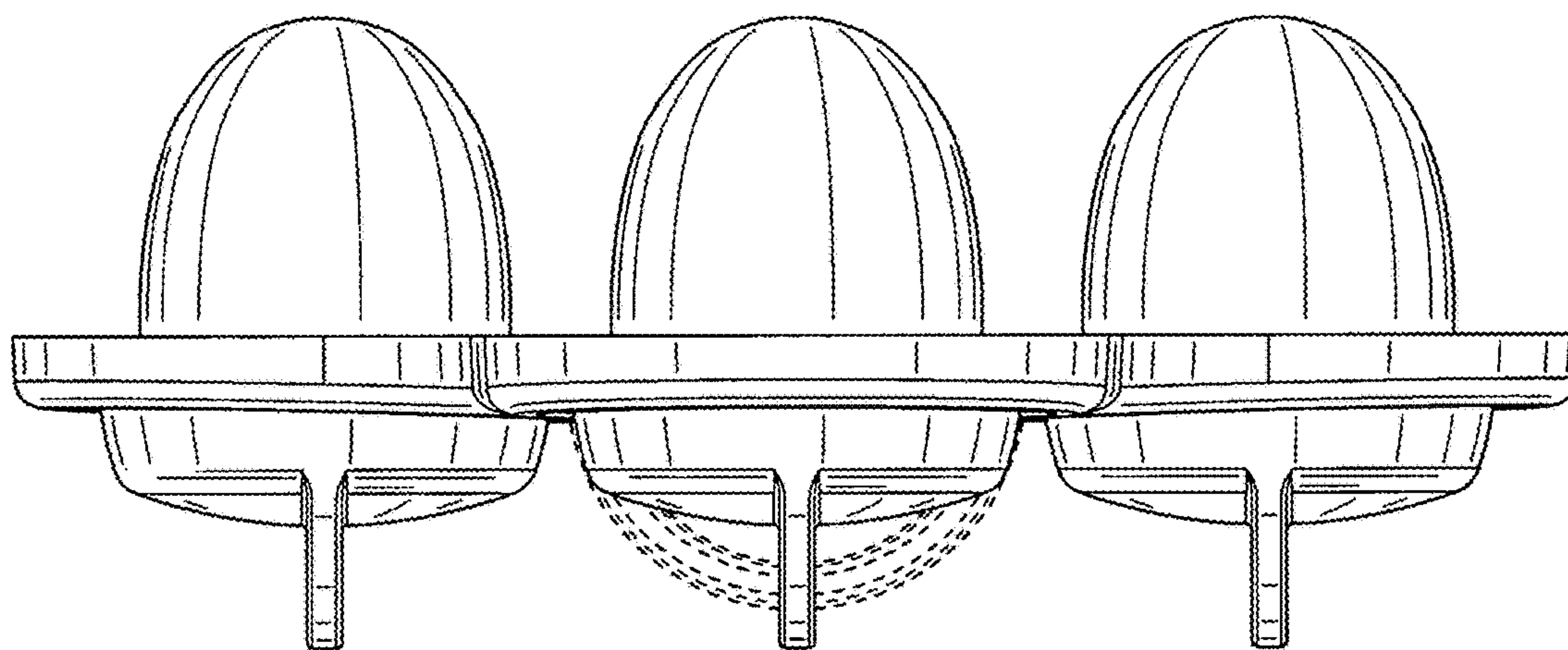


FIG. 7