

US00D848778S

(12) **United States Design Patent** (10) **Patent No.:** **US D848,778 S**
Szymanski et al. (45) **Date of Patent:** **** May 21, 2019**

(54) **COOKING DEVICE**

(56) **References Cited**

(71) Applicants: **Aaron Szymanski**, Thomaston, CT (US); **Lori Ann Lombardo**, East Hanover, NJ (US); **Lana Rascionato**, Totowa, NJ (US)

U.S. PATENT DOCUMENTS

D51,881 S *	3/1918	Evans	220/23.8
1,308,482 A *	7/1919	Cohn et al.	A21B 3/132
			220/23.2
1,399,449 A *	12/1921	Trethewey	A21C 11/106
			30/301
1,962,556 A *	6/1934	Eberhardt, Jr.	A47G 23/0641
			206/562
D170,663 S *	10/1953	Smith	D7/503
3,034,496 A *	5/1962	Greenwald	A47J 36/24
			126/261
D252,066 S *	6/1979	Jeambey	D7/357
D285,638 S *	9/1986	Trivison	D7/557
D393,775 S *	4/1998	Otero	D7/553.6
D576,838 S *	9/2008	Wong	D7/501
D688,085 S *	8/2013	Harris	D7/354
D696,896 S *	1/2014	Weskamp	D7/354
D804,325 S *	12/2017	Thompson	D9/758

(72) Inventors: **Aaron Szymanski**, Thomaston, CT (US); **Lori Ann Lombardo**, East Hanover, NJ (US); **Lana Rascionato**, Totowa, NJ (US)

(73) Assignee: **IdeaVillage Products Corporation**, Wayne, NJ (US)

(**) Term: **15 Years**

(21) Appl. No.: **29/651,186**

(22) Filed: **Feb. 5, 2018**

(51) **LOC (11) Cl.** **07-02**

(52) **U.S. Cl.**
USPC **D7/357; D7/354**

(58) **Field of Classification Search**
USPC D7/323, 354-361, 501, 543, 545, 549, D7/550.1, 553.1-553.8, 554.1-554.4, 555, D7/557, 584, 586, 611, 675, 688; D9/430-433, 455-456, 737, 756-762
CPC .. A21B 3/00; A21B 3/003; A21B 3/13; A21B 3/15; A21B 3/132; A21B 3/134; A21B 5/00; A21B 5/02; A21C 11/106; A47G 23/0641; A47J 36/022; A47J 36/025; A47J 36/027; A47J 36/24; A47J 37/00; A47J 37/04; A47J 37/108; A47J 43/28; A47J 43/284; B65D 1/22; B65D 1/24; B65D 1/34; B65D 1/36; B65D 81/343; B65D 85/36

See application file for complete search history.

* cited by examiner

Primary Examiner — Ricky Pham

(74) *Attorney, Agent, or Firm* — Dan DeLaRosa

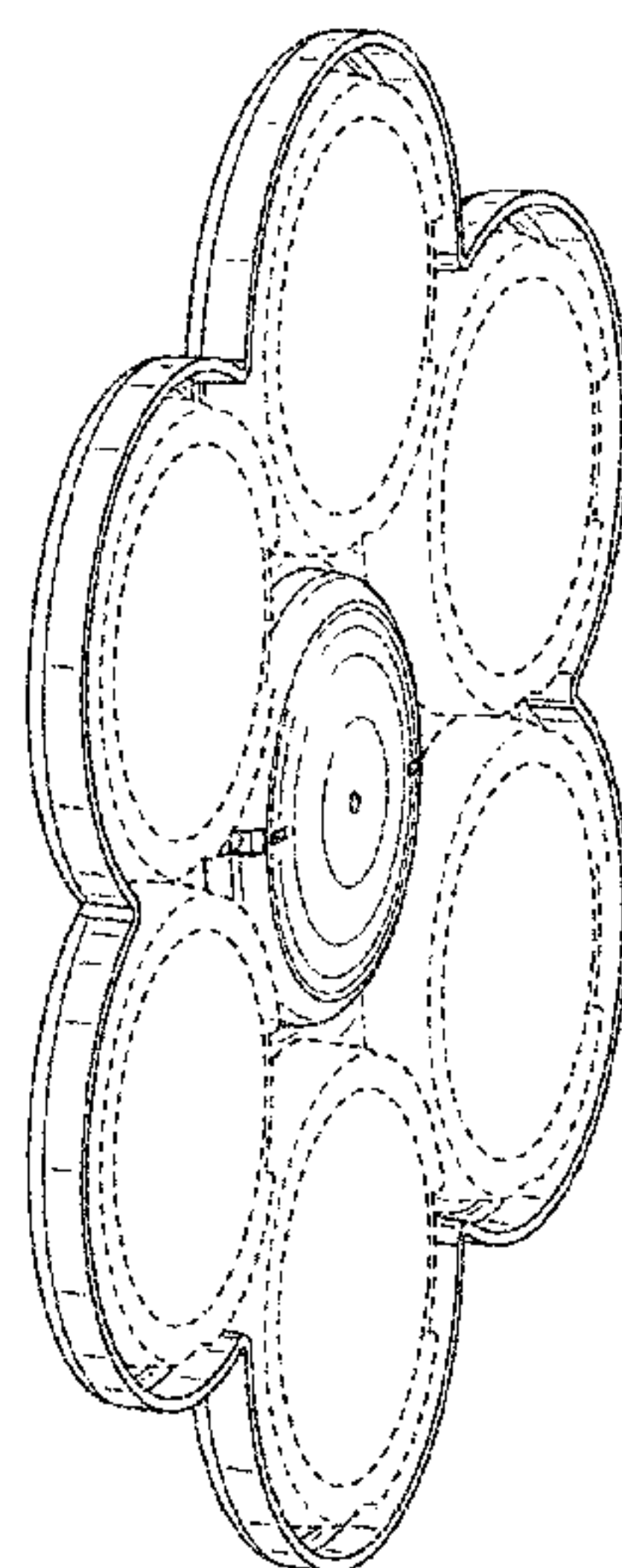
(57) **CLAIM**

The ornamental design for a cooking device, as shown and described.

DESCRIPTION

FIG. 1 is a front perspective view of a cooking device of the present invention showing our new design; FIG. 2 is a front side elevation view thereof; FIG. 3 is back side elevation view thereof; FIG. 4 is a side elevation view thereof; FIG. 5 is another side elevation view thereof; FIG. 6 is a top plan view thereof; and, FIG. 7 is a bottom plan view thereof. In the drawings, the broken lines illustrate portions of the cooking device and form no part of the claimed design.

1 Claim, 5 Drawing Sheets



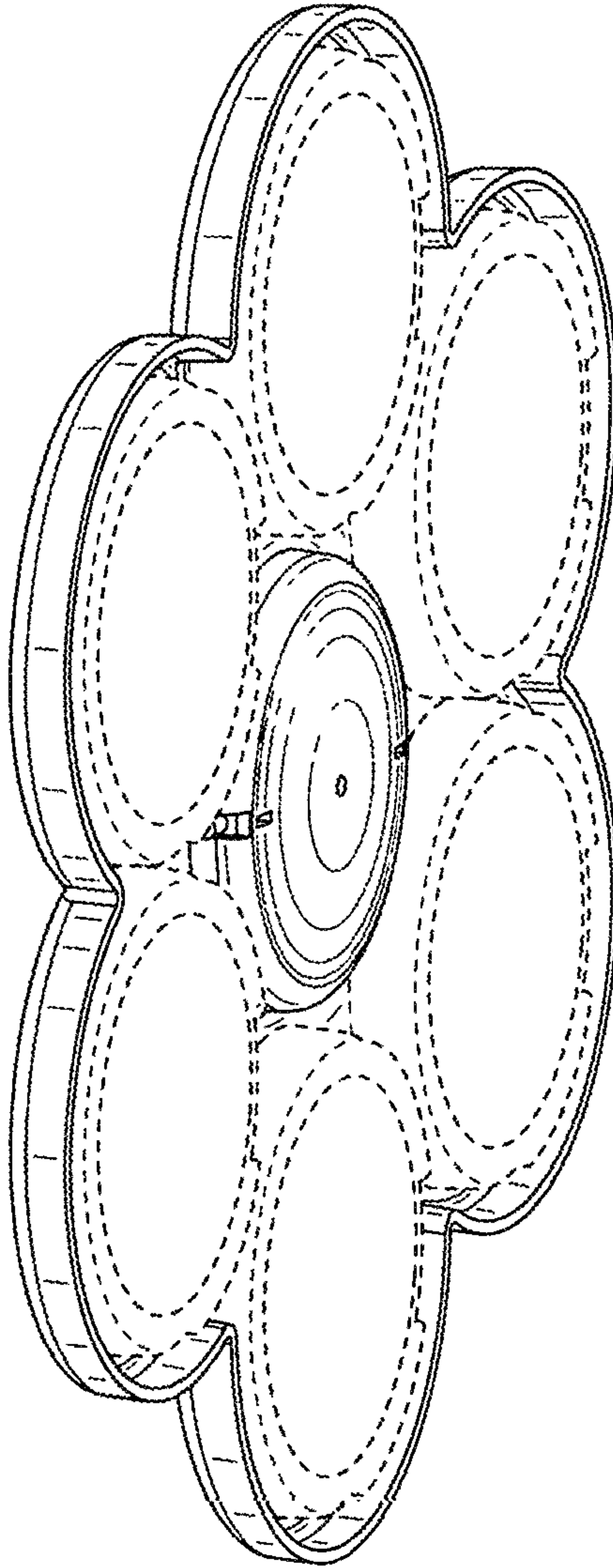


FIG. 1

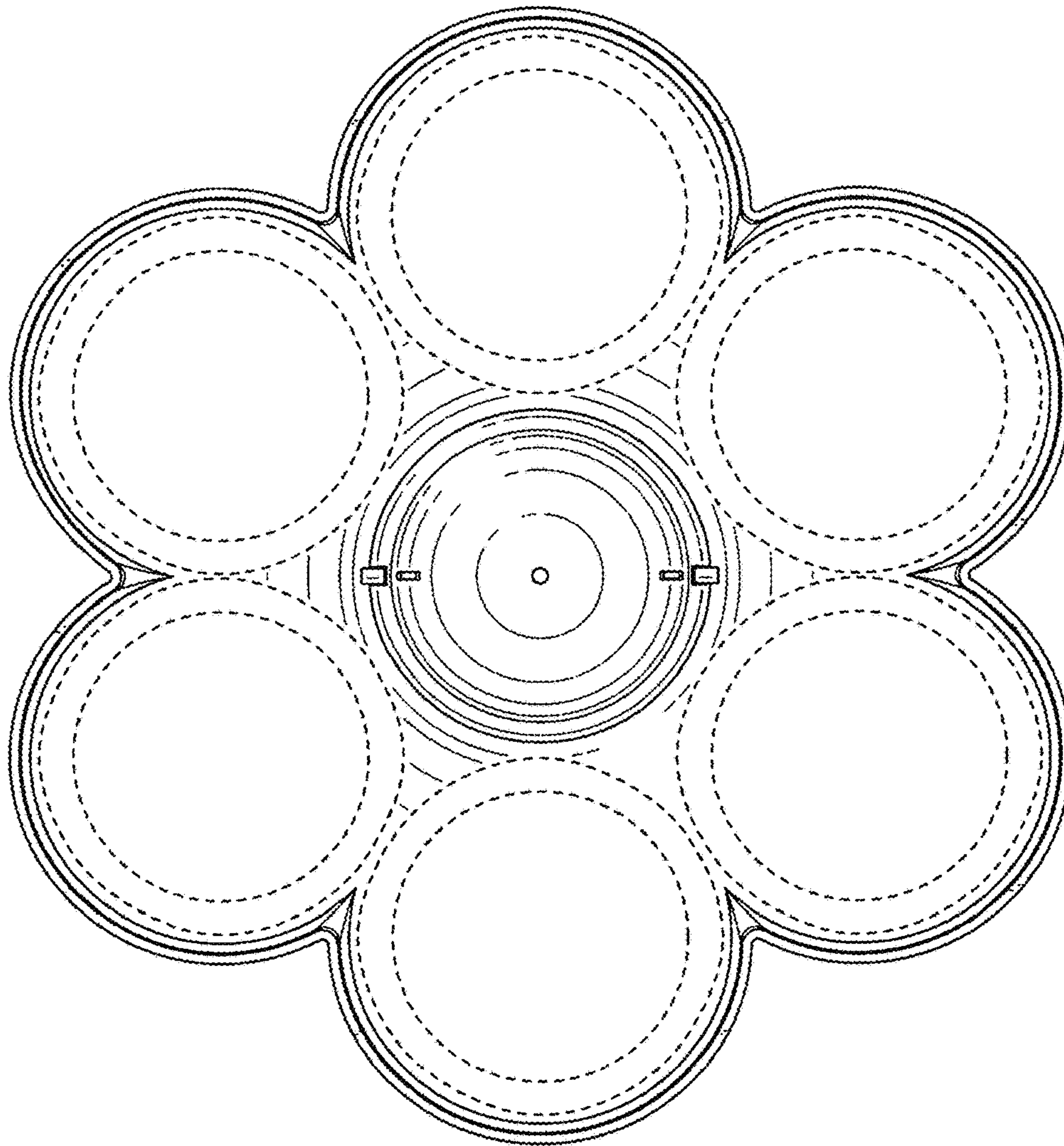


FIG. 2

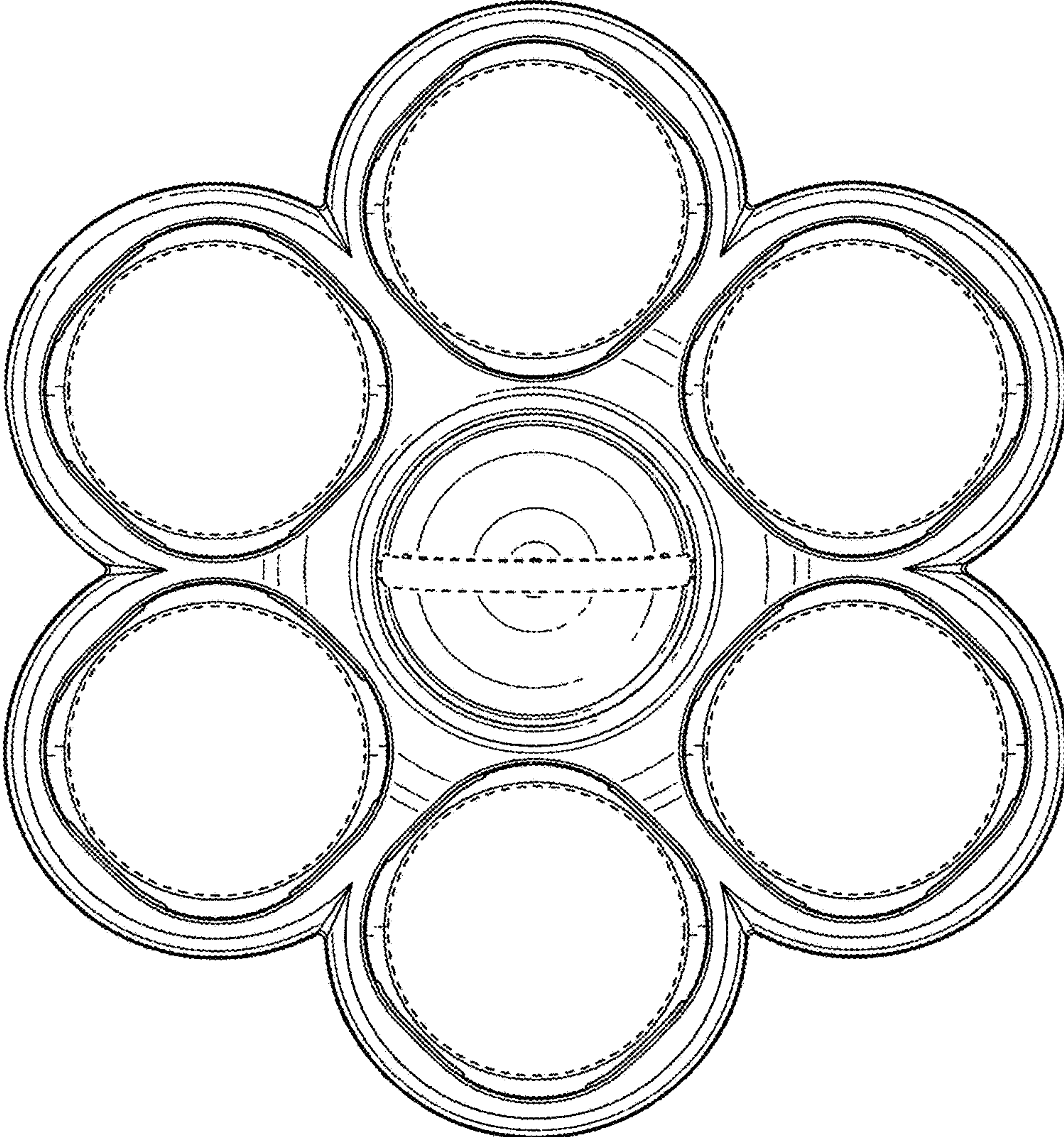


FIG. 3

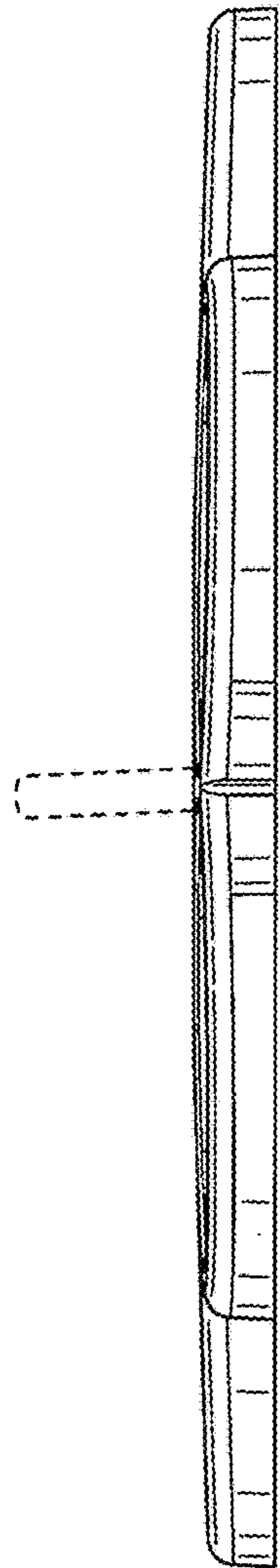


FIG. 4

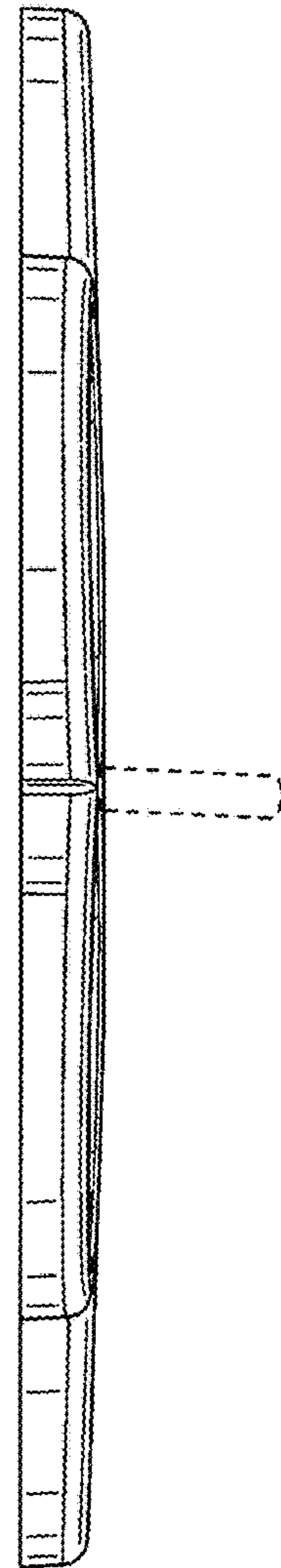


FIG. 5

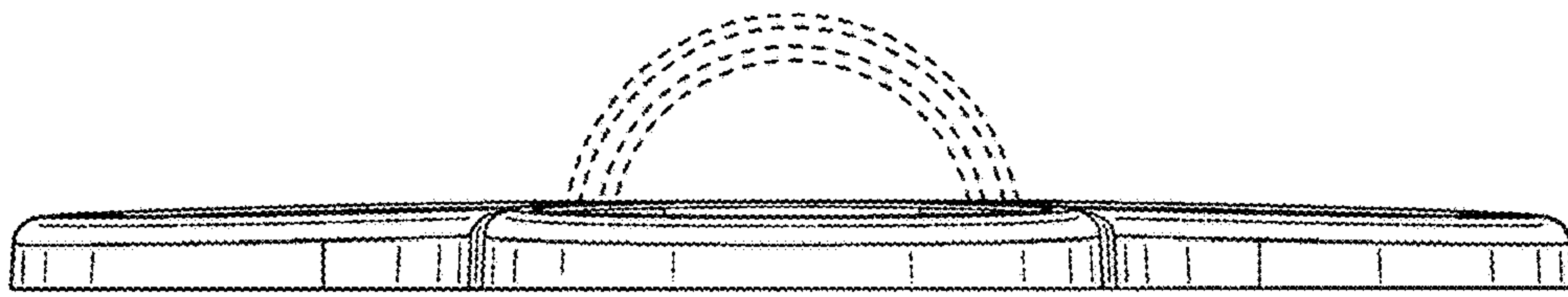


FIG. 6

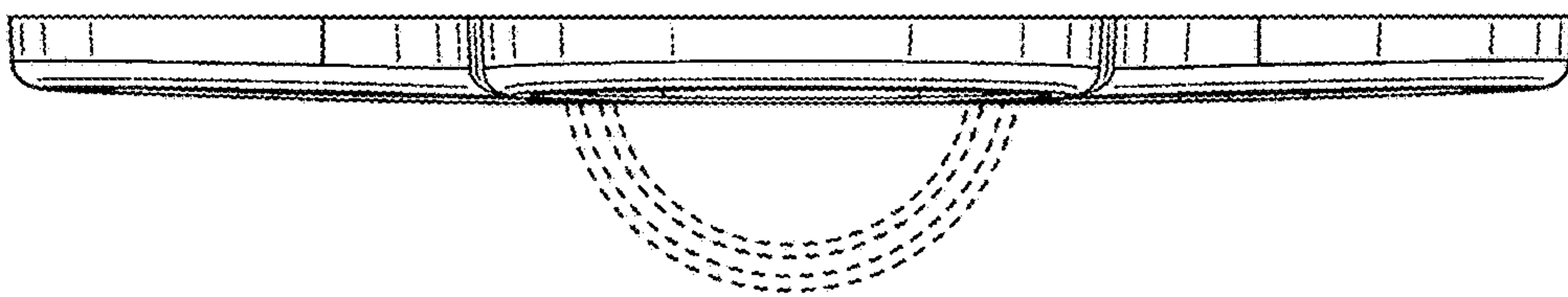


FIG. 7