



US00D848776S

(12) **United States Design Patent** (10) **Patent No.:** **US D848,776 S**
Jiang et al. (45) **Date of Patent:** **** May 21, 2019**

(54) **GRILL**
(71) Applicants: **Junhua Jiang**, Taizhou (CN); **Meide Jiang**, Taizhou (CN)
(72) Inventors: **Junhua Jiang**, Taizhou (CN); **Meide Jiang**, Taizhou (CN)
(73) Assignee: **Zhejiang Fudeer Electric Appliance Co., Ltd.**, Taizhou (CN)

D618,952 S 7/2010 Chung
D621,201 S 8/2010 Proffitt et al.
D660,075 S 5/2012 Chung
D661,538 S 6/2012 Chung
D671,788 S * 12/2012 Slater D7/334
D680,798 S 4/2013 Chung
D683,177 S 5/2013 Brennan
D694,568 S 12/2013 Alden et al.
D716,599 S 11/2014 Kam et al.
D724,888 S 3/2015 Lee et al.
D731,843 S 6/2015 Chung
D732,874 S * 6/2015 Chung D7/334
D736,553 S 8/2015 Funnell, II et al.
D798,646 S * 10/2017 Lira-Nunez D7/334
D805,343 S * 12/2017 Magee D7/334
2010/0242943 A1 * 9/2010 Laporta A47J 37/0704
126/25 B

(**) Term: **15 Years**
(21) Appl. No.: **29/597,452**

(22) Filed: **Mar. 17, 2017**
(51) **LOC (11) Cl.** **07-02**
(52) **U.S. Cl.**
USPC **D7/334**
(58) **Field of Classification Search**
USPC D7/332-337, 402-405
CPC A47J 37/0704; A47J 37/04; A47J 37/067;
A47J 37/0731; A47J 37/0763; A47J
2037/0777; A47J 37/0713; A47J 37/0786;
A47J 37/0682; A47J 37/0676; A23B
4/044; A23B 4/052; F24B 1/181
See application file for complete search history.

FOREIGN PATENT DOCUMENTS

CN 301583297 S 6/2011
CN 302593136 S 10/2013

* cited by examiner

Primary Examiner — Brett Miller
(74) *Attorney, Agent, or Firm* — Minder Law Group;
Willy H. Wong

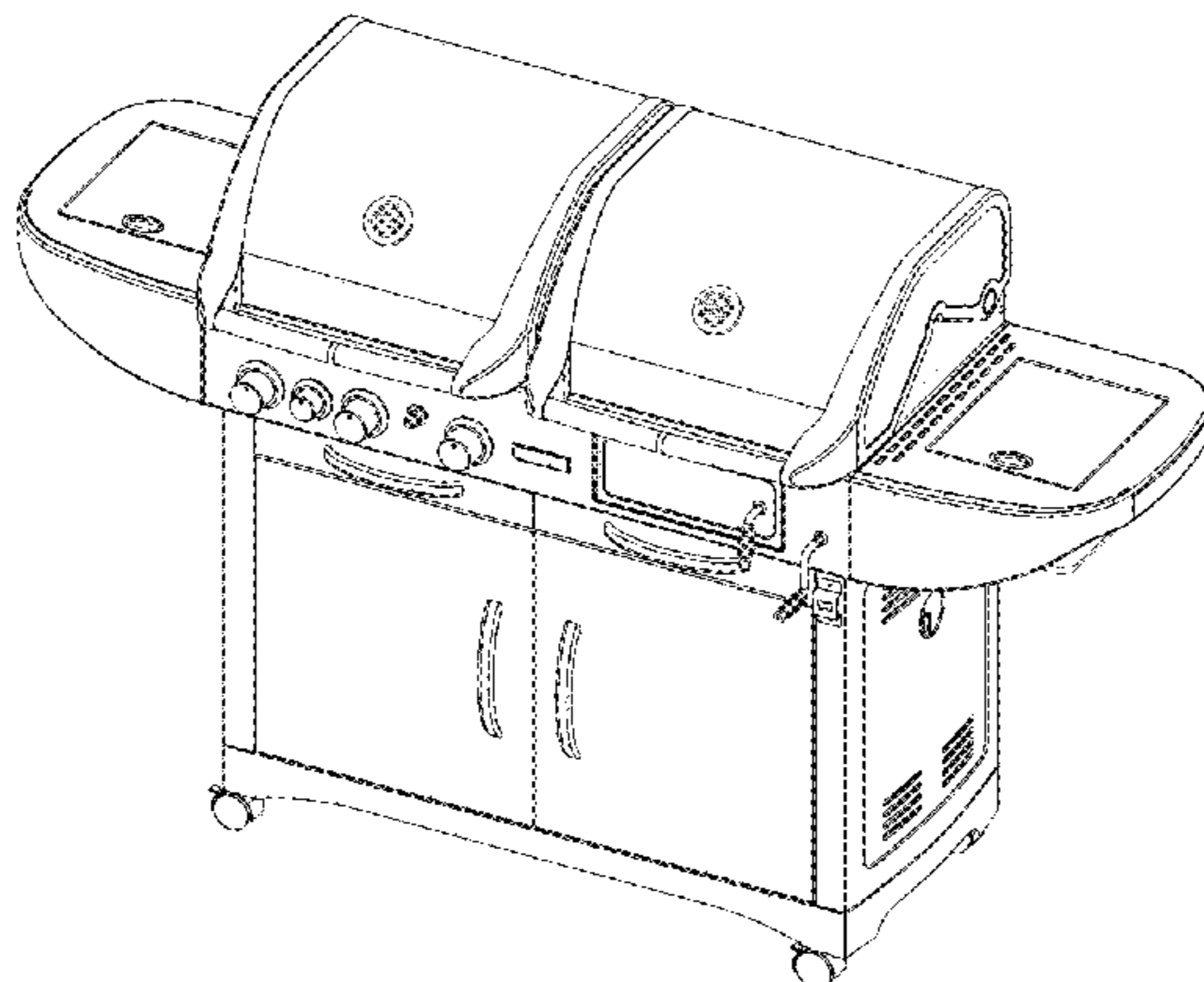
(57) **CLAIM**
The design for a grill, as shown and described.

(56) **References Cited**
U.S. PATENT DOCUMENTS
D208,681 S * 9/1967 Koziol D7/335
D503,065 S * 3/2005 Pai D7/334
D521,308 S 5/2006 Tseng
D546,616 S 7/2007 Tseng
D549,514 S 8/2007 Chung
D568,670 S 5/2008 Proffitt et al.
D571,604 S 6/2008 Chung
D571,605 S 6/2008 Chung
D614,434 S 4/2010 Proffitt et al.
D618,034 S 6/2010 Chung
D618,035 S 6/2010 Chung

DESCRIPTION

FIG. 1 is a front view of a grill showing our new design;
FIG. 2 is a back view thereof;
FIG. 3 is a left side view thereof;
FIG. 4 is a right side view thereof;
FIG. 5 is a top view thereof;
FIG. 6 is a bottom view thereof; and,
FIG. 7 is a perspective view thereof.
The broken lines show portions of the grill for illustrative purposes only and form no part of the claimed design.

1 Claim, 7 Drawing Sheets



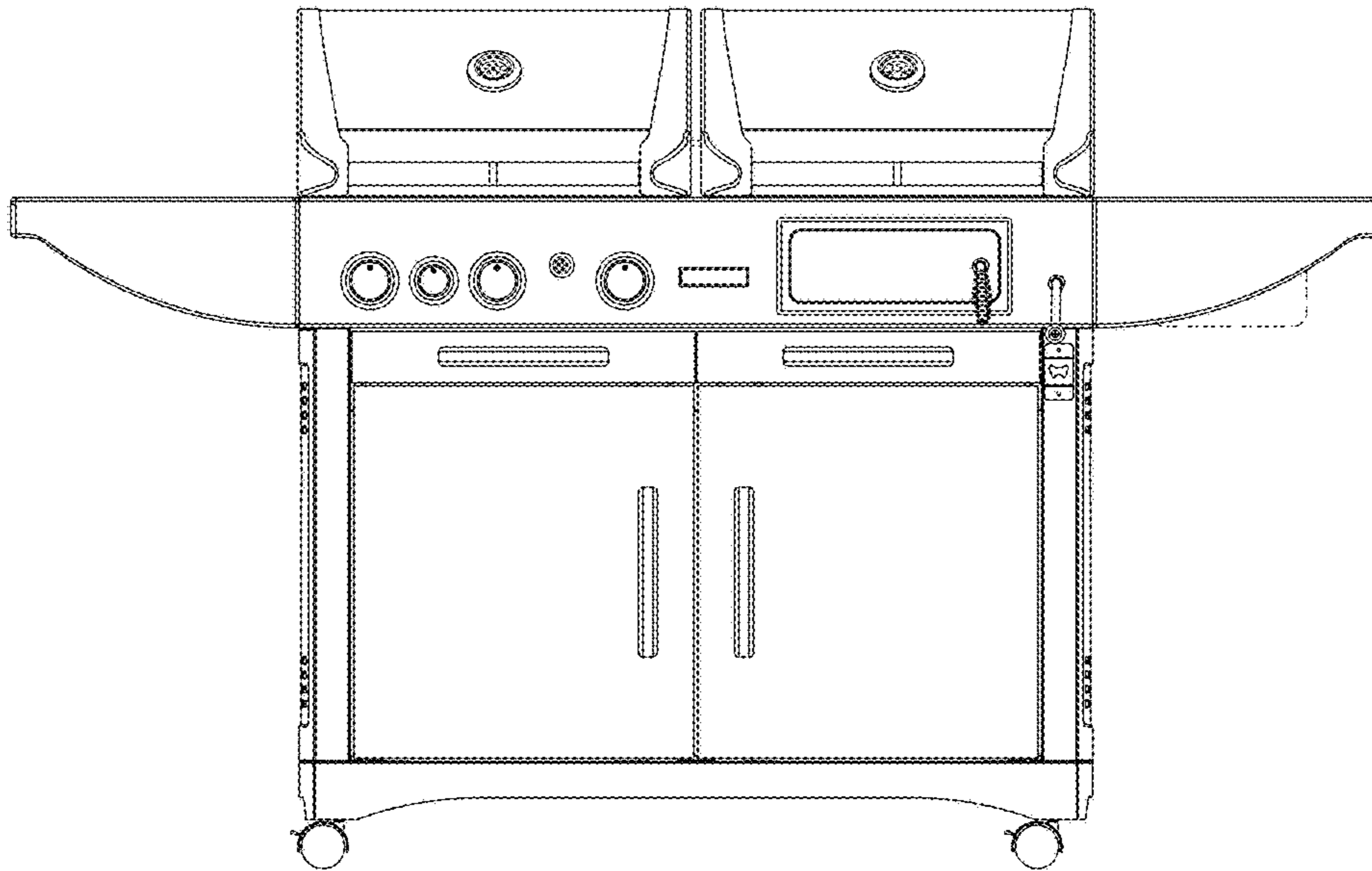


Fig 1

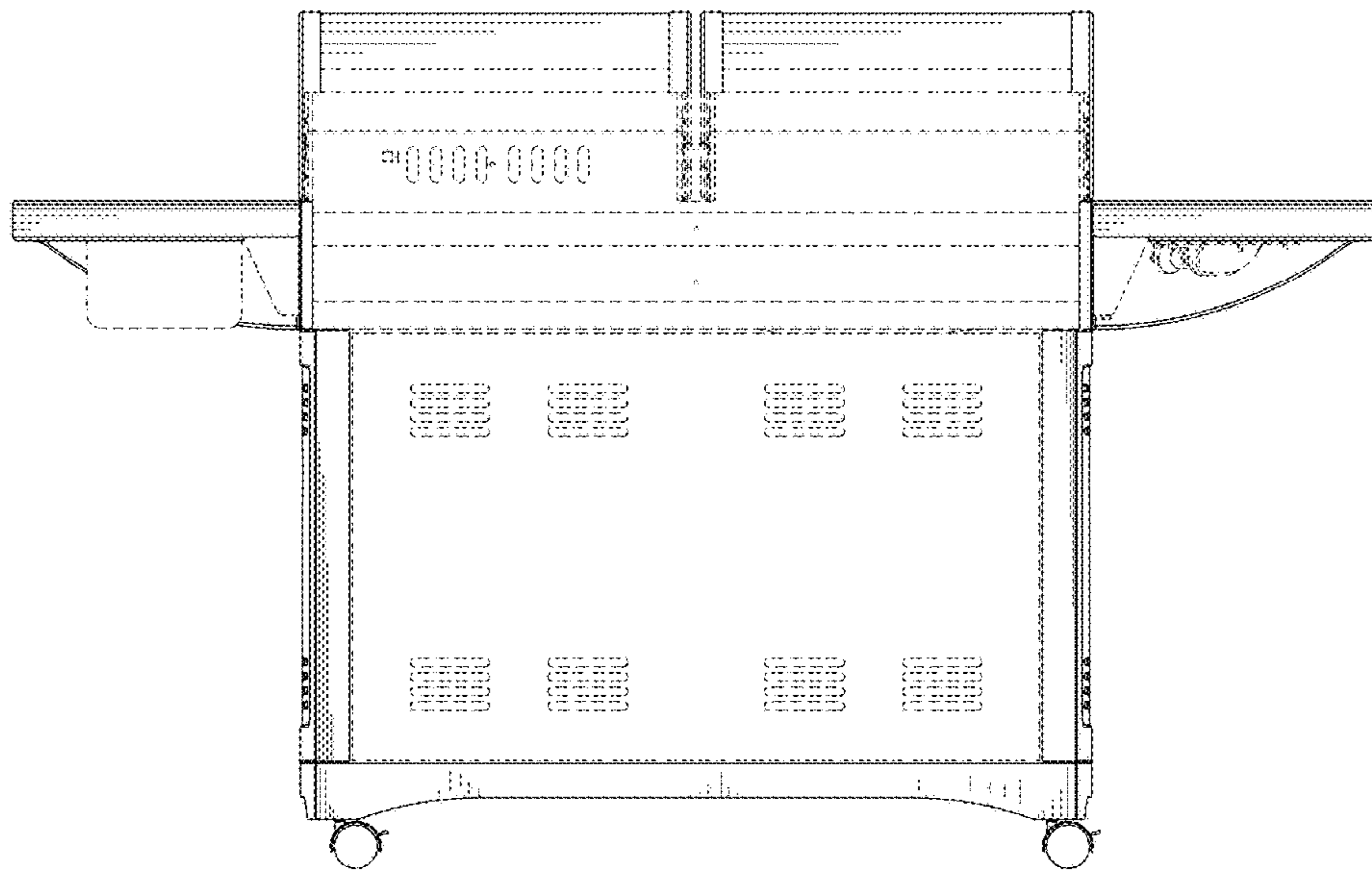


Fig 2

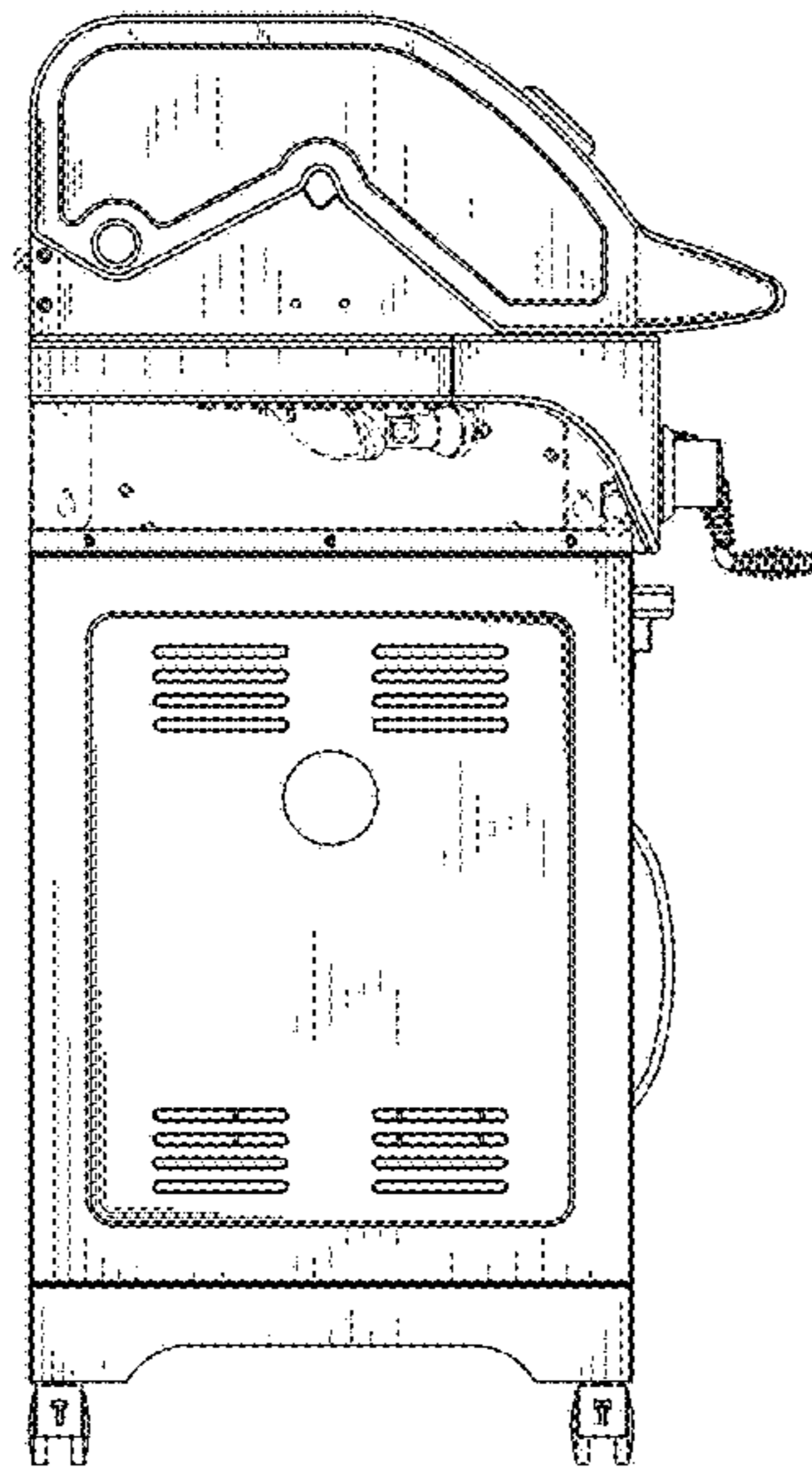


Fig 3

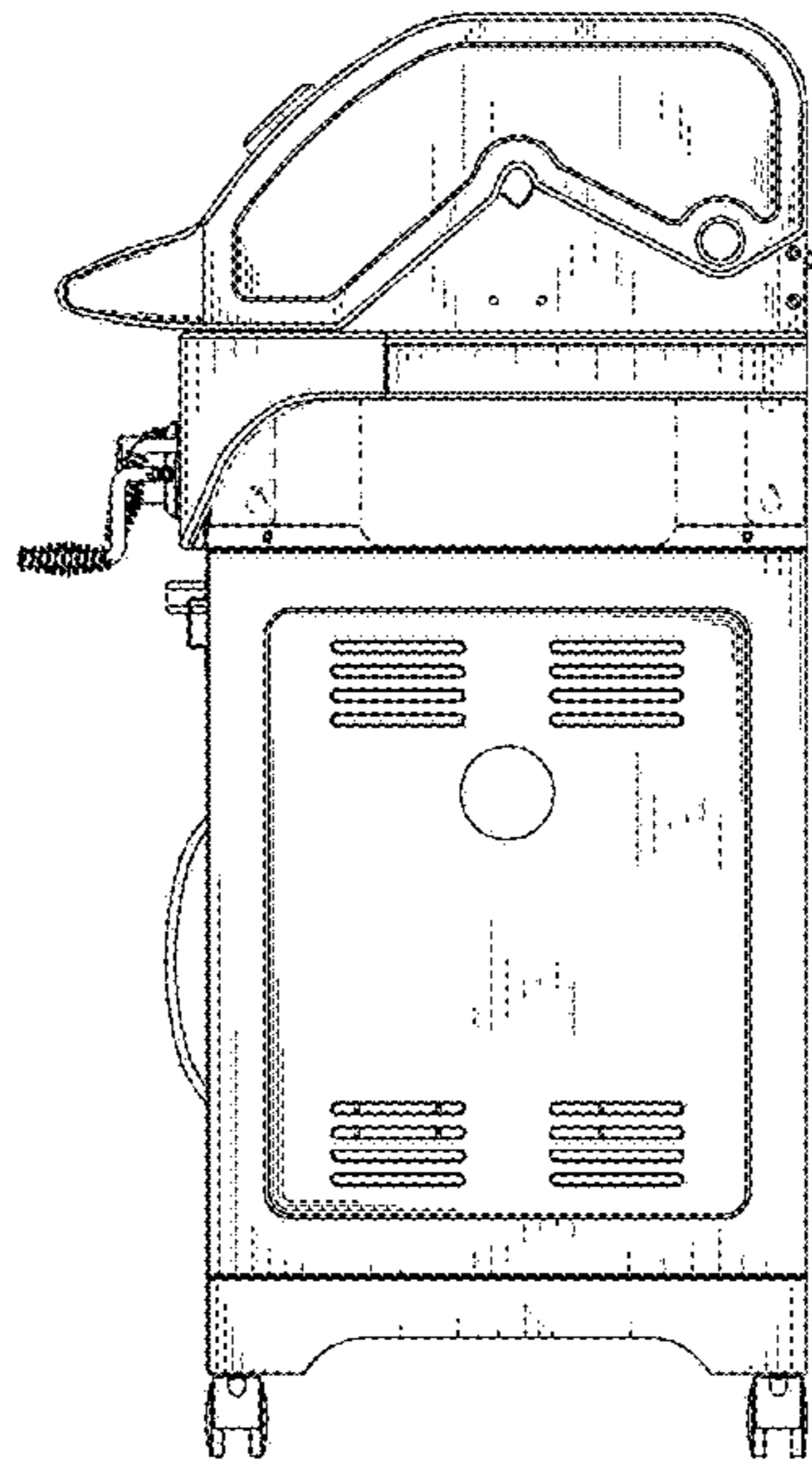


Fig 4

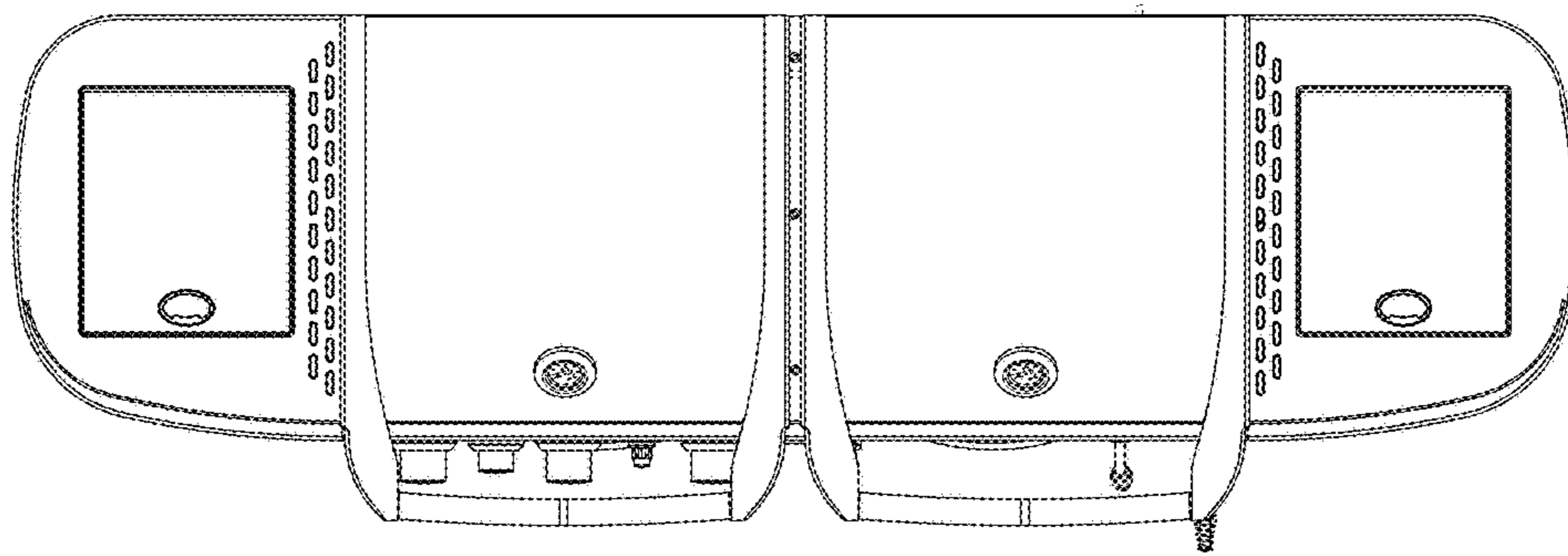


Fig 5

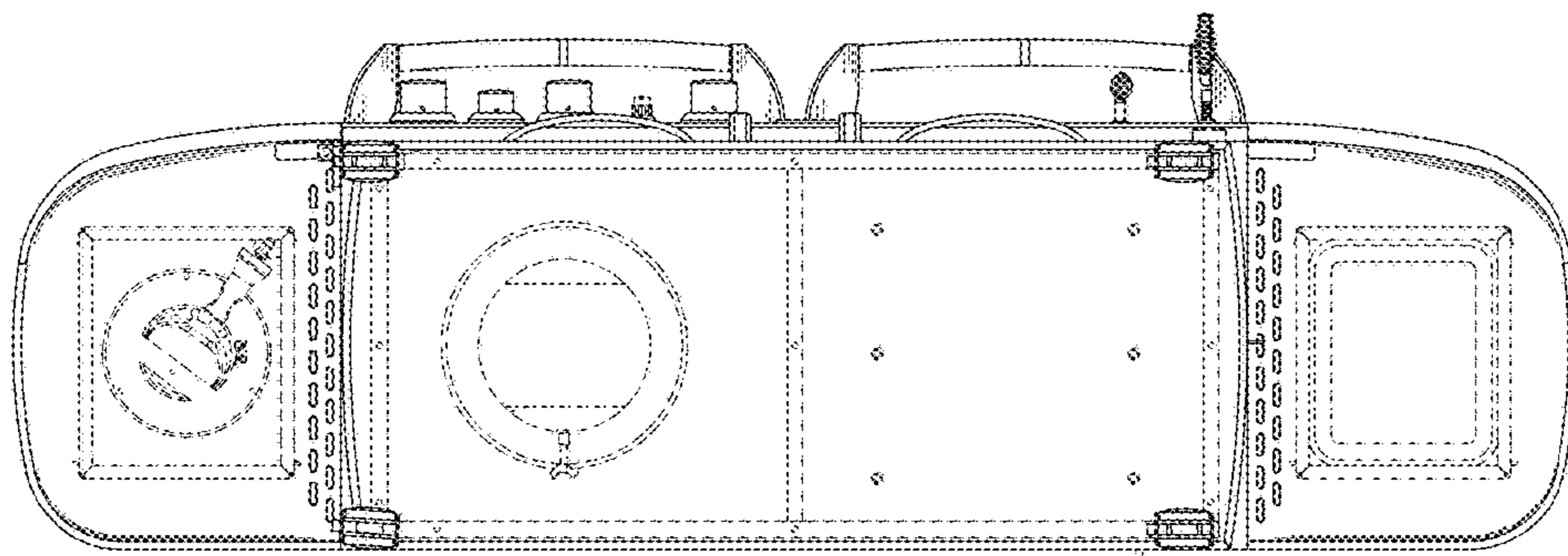


Fig 6

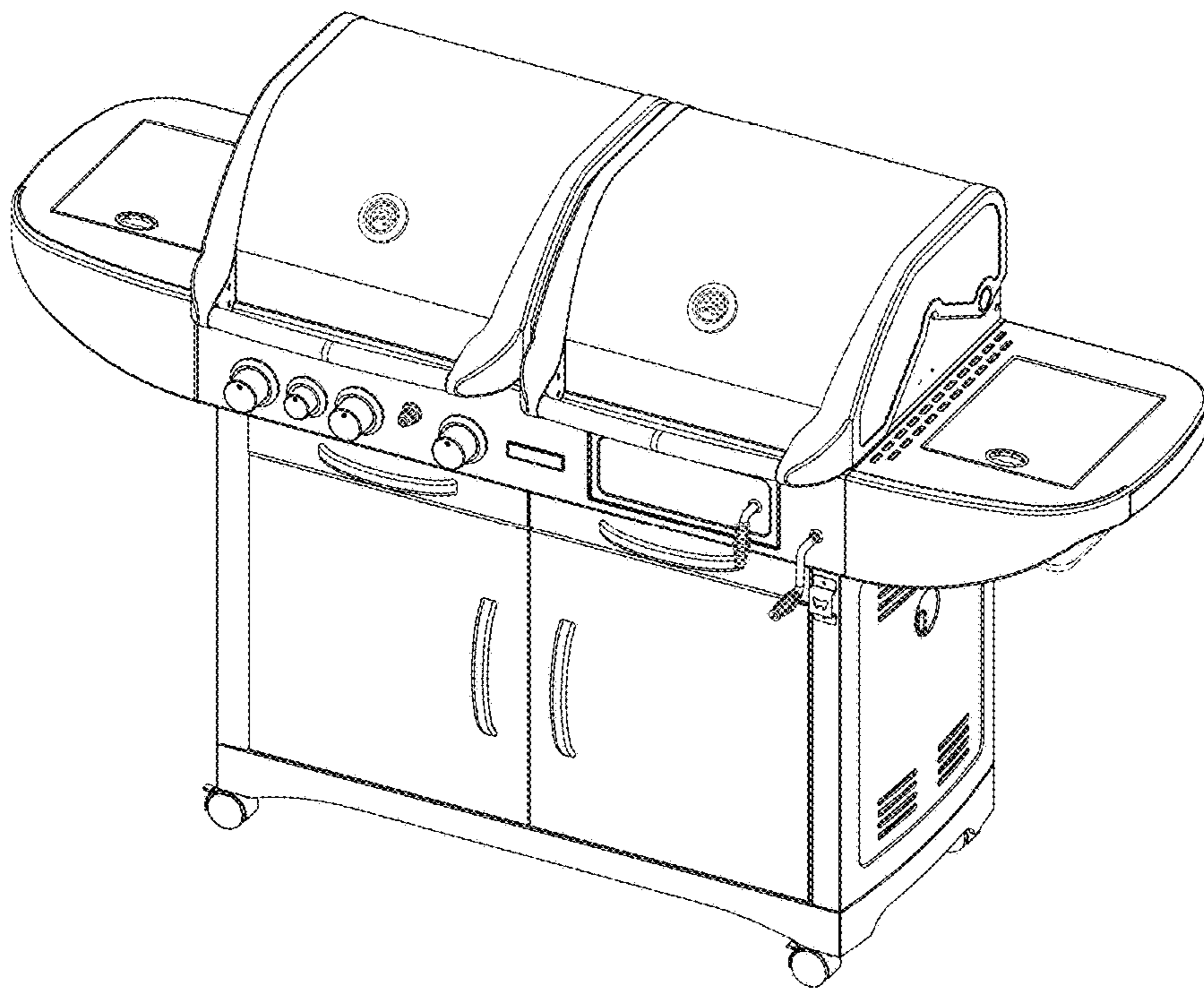


Fig 7