



US00D848775S

(12) **United States Design Patent**  
**Howard**

(10) **Patent No.:** **US D848,775 S**

(45) **Date of Patent:** **\*\* May 21, 2019**

(54) **BARBECUE GRILL**

(71) Applicant: **Rodger Howard**, Corona, CA (US)

(72) Inventor: **Rodger Howard**, Corona, CA (US)

(\*\*) Term: **15 Years**

(21) Appl. No.: **29/577,409**

(22) Filed: **Sep. 13, 2016**

(51) **LOC (11) Cl.** ..... **07-02**

(52) **U.S. Cl.**  
USPC ..... **D7/334**

(58) **Field of Classification Search**

USPC ..... D7/332-337, 402-405  
CPC ..... A47J 37/0704; A47J 37/04; A47J 37/067;  
A47J 37/0731; A47J 37/0763; A47J  
2037/0777; A47J 37/0713; A47J 37/0786;  
A47J 37/0682; A47J 37/0676; A23B  
4/044; A23B 4/052; F24B 1/181

See application file for complete search history.

(56) **References Cited**

**U.S. PATENT DOCUMENTS**

D295,136 S \* 4/1988 Cox, Jr. .... D7/334  
D409,435 S \* 5/1999 Husted ..... D7/332  
6,298,774 B1 10/2001 Latham  
D529,754 S \* 10/2006 Chung ..... D7/334  
D534,765 S \* 1/2007 Thurman, Jr. .... D7/335

D535,140 S \* 1/2007 Thurman, Jr. .... D7/335  
D551,489 S \* 9/2007 Gondek ..... D7/332  
D578,821 S 10/2008 Young  
D608,587 S 1/2010 Bluestone  
D655,127 S \* 3/2012 Grimes ..... D7/334  
D661,155 S 6/2012 Young  
9,004,058 B1 4/2015 Brown  
2003/0200962 A1 10/2003 Pruett  
2013/0180412 A1 7/2013 Contarino, Jr.

**FOREIGN PATENT DOCUMENTS**

WO 2010005549 A1 7/2009

\* cited by examiner

*Primary Examiner* — Brett Miller

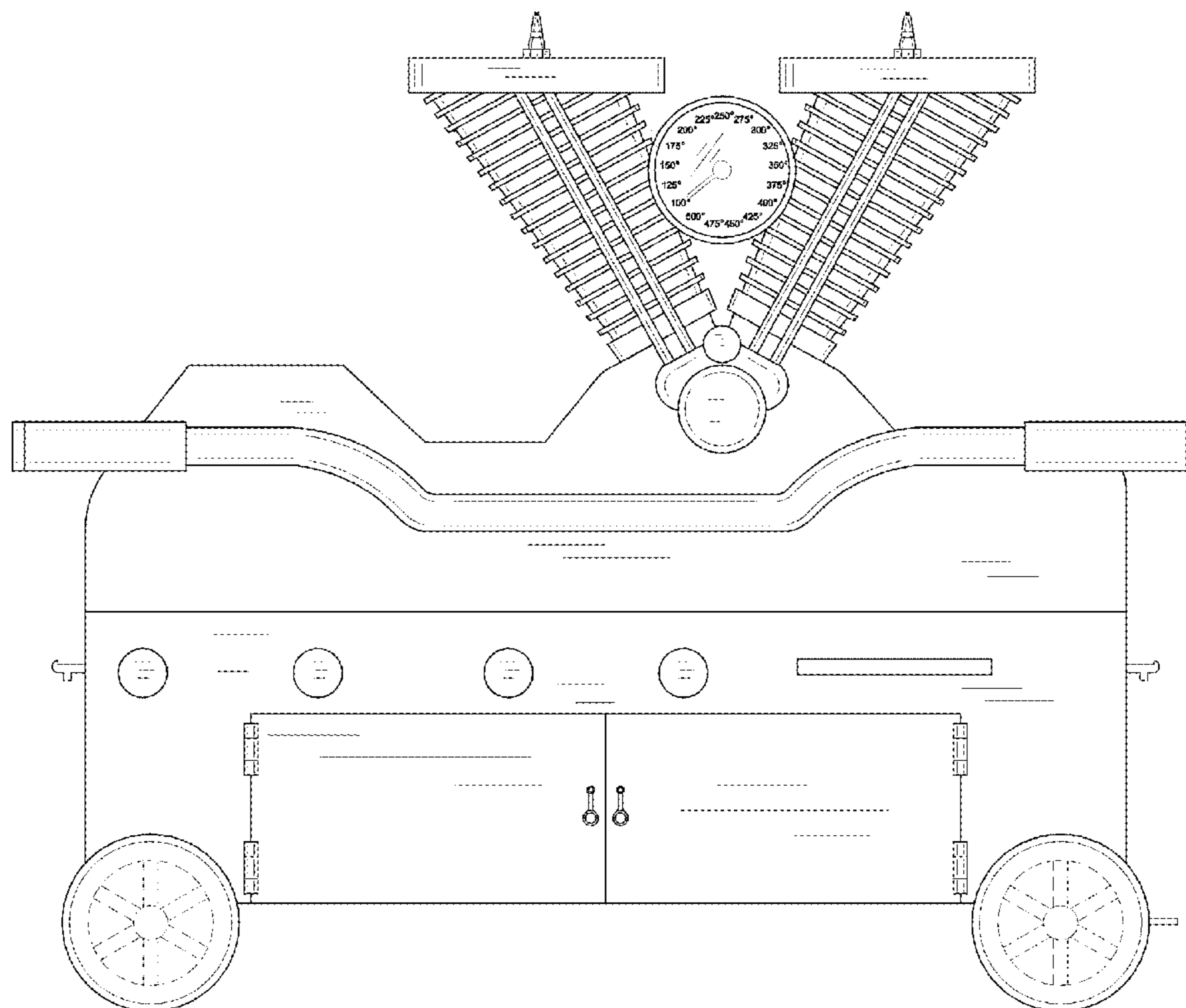
(57) **CLAIM**

I claim the ornamental design for a barbecue grill, as shown and described.

**DESCRIPTION**

FIG. 1 is a front view of the barbecue grill.  
FIG. 2 is a back view of the claimed design.  
FIG. 3 is a left side view of the claimed design.  
FIG. 4 is a right side view of the claimed design.  
FIG. 5 is a top view of the claimed design; and,  
FIG. 6 is a bottom view of the claimed design.  
The broken lines appearing in FIGS. 1 and 2 depict portions of the barbecue grill that form no part of the claimed design.

**1 Claim, 4 Drawing Sheets**



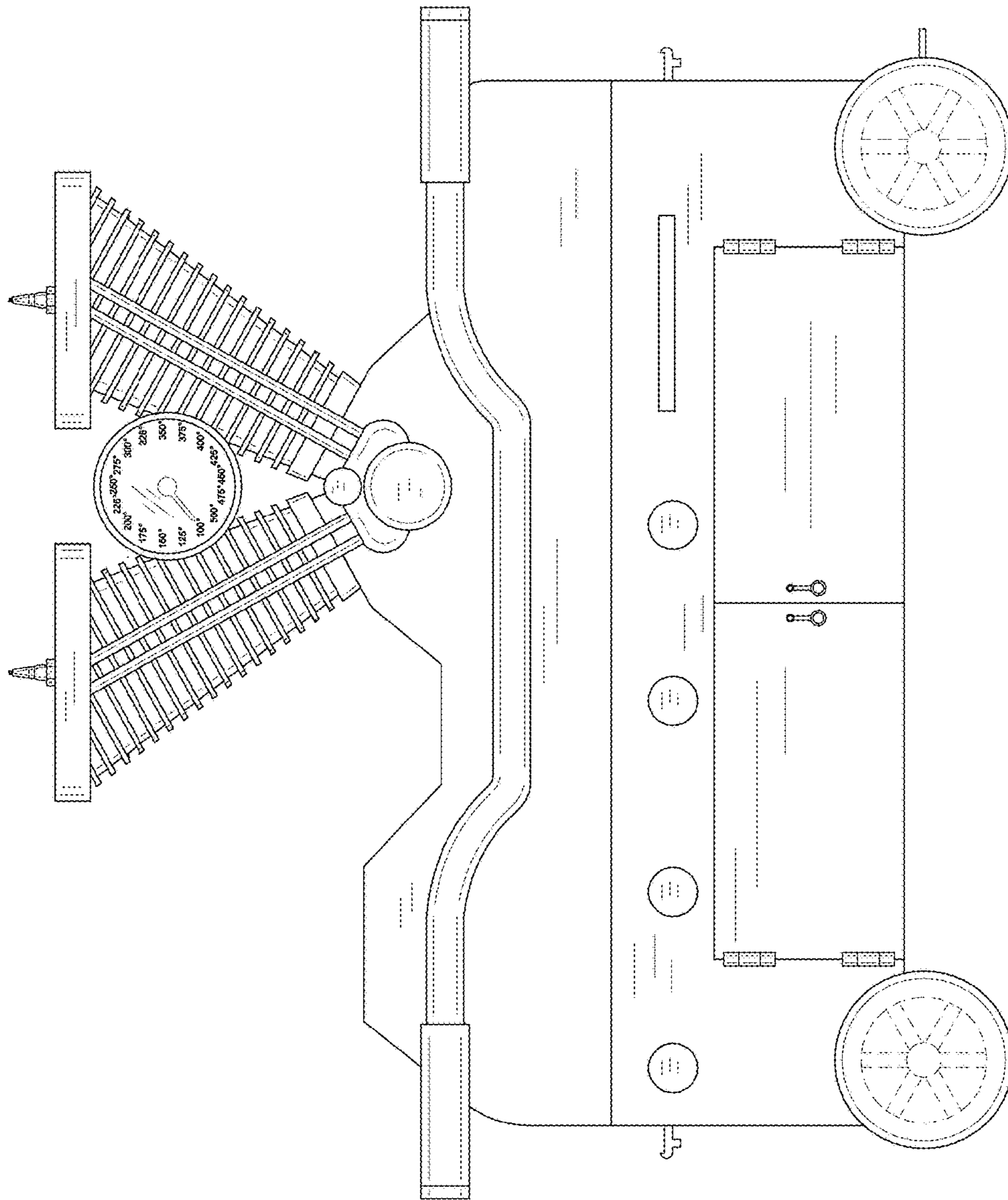


FIG. 1

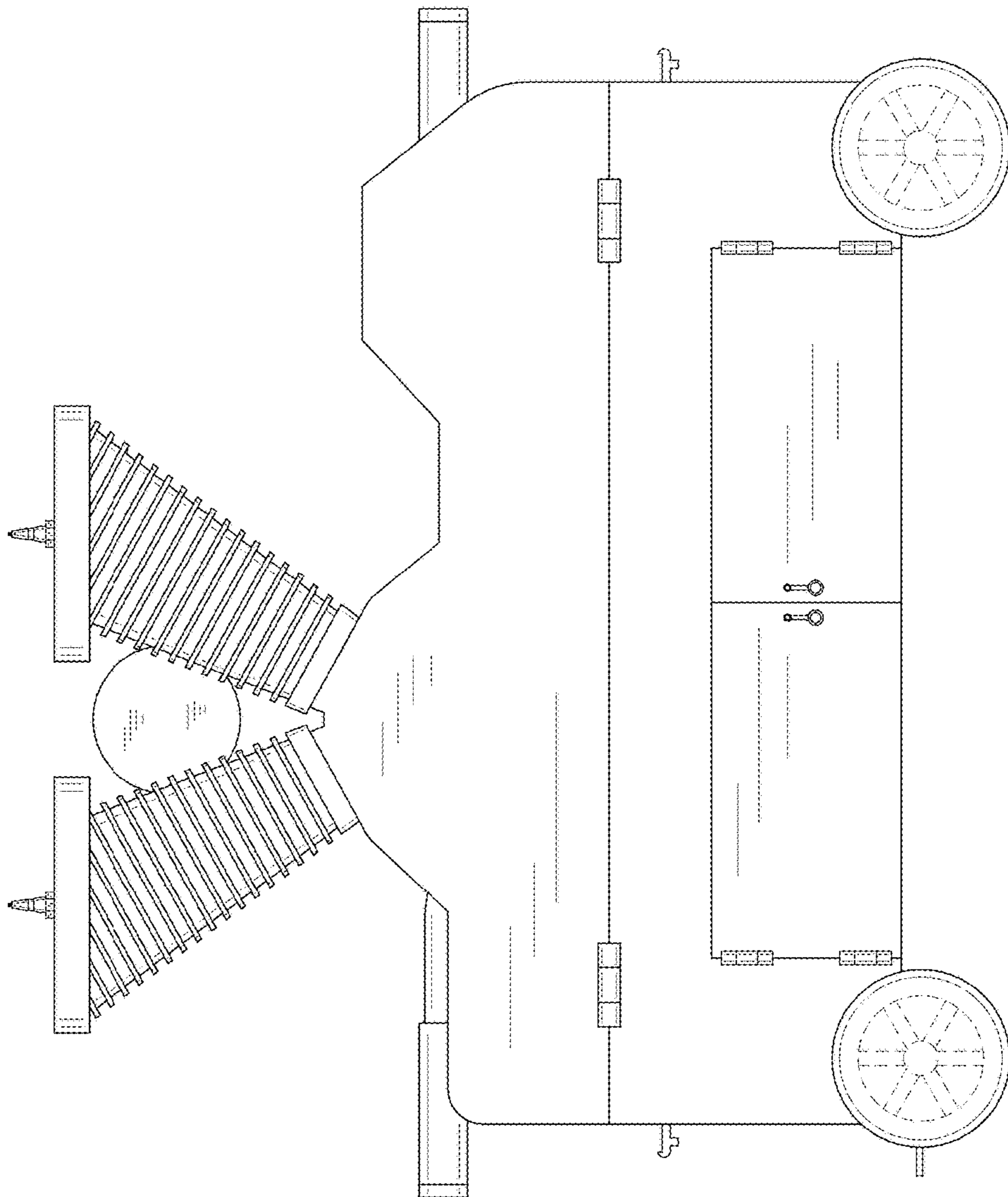


FIG. 2



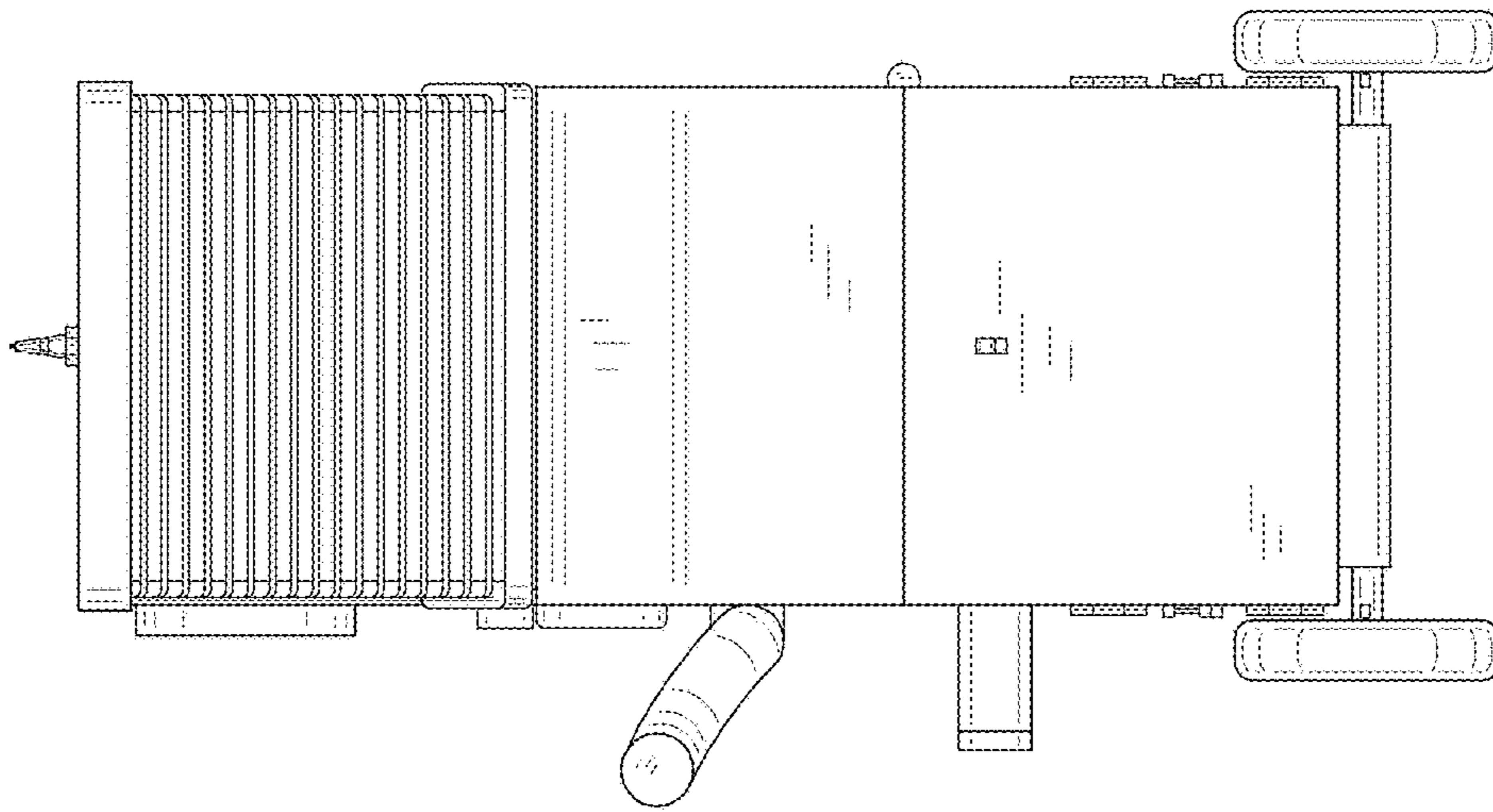


FIG. 4

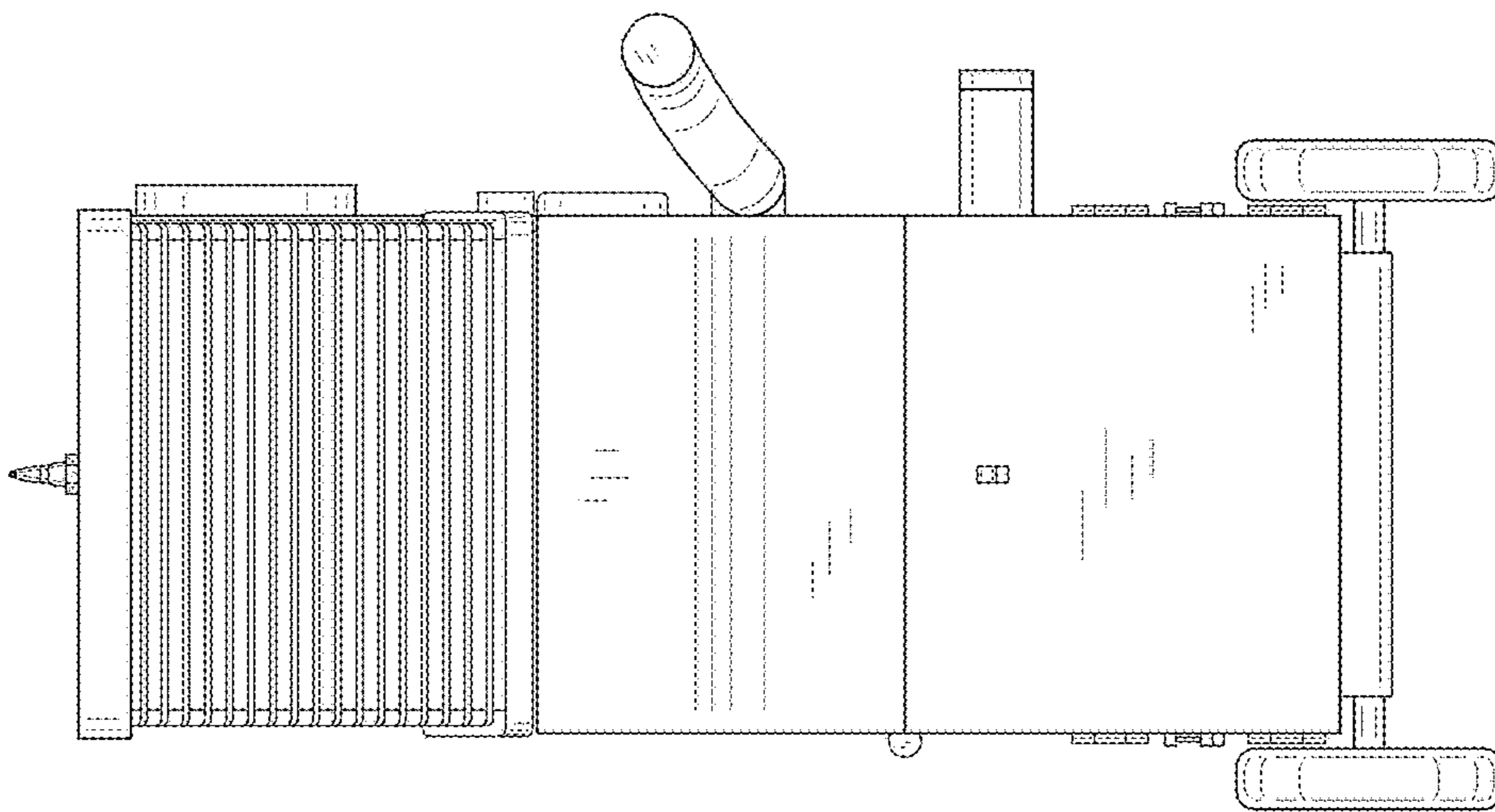


FIG. 3

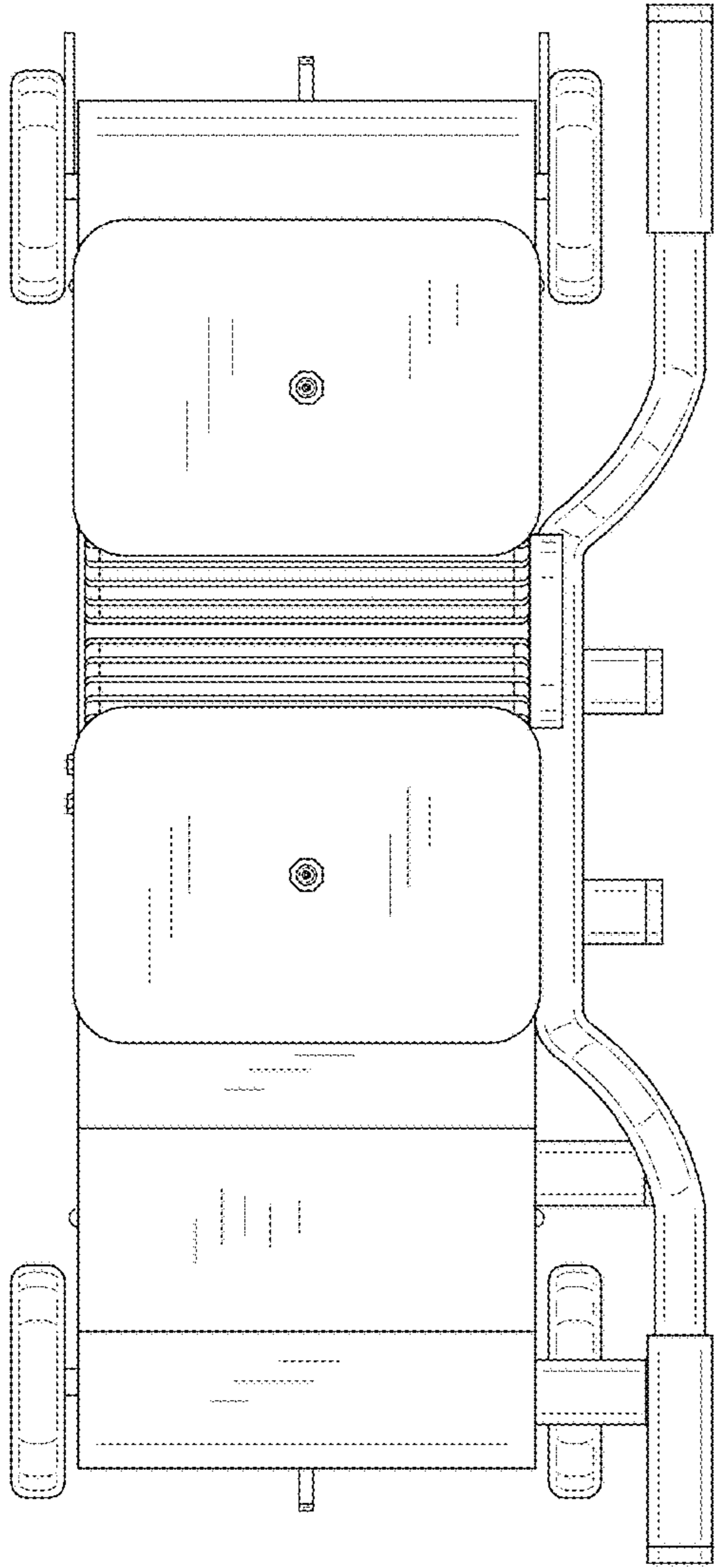


FIG. 5

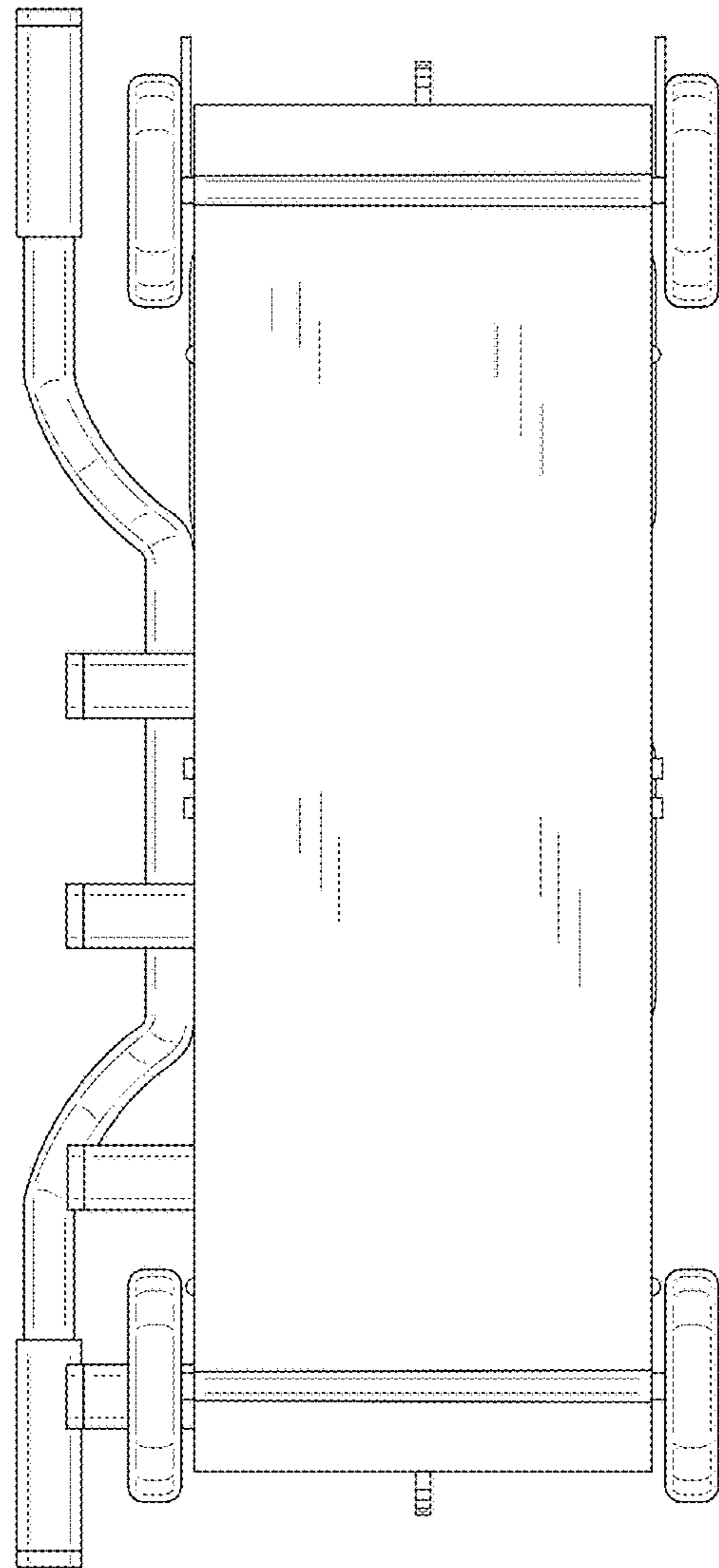


FIG. 6