



US00D848773S

(12) **United States Design Patent** (10) **Patent No.:** **US D848,773 S**
Akana et al. (45) **Date of Patent:** **** May 21, 2019**

(54) **TABLE**

(71) Applicant: **Apple Inc.**, Cupertino, CA (US)

(72) Inventors: **Jody Akana**, San Francisco, CA (US); **Bartley K. Andre**, Palo Alto, CA (US); **Shota Aoyagi**, San Francisco, CA (US); **Anthony Michael Ashcroft**, San Francisco, CA (US); **Jeremy Bataillou**, San Francisco, CA (US); **Daniel J. Coster**, San Francisco, CA (US); **Daniele De Iuliis**, San Francisco, CA (US); **Christopher M. Green**, Woodside, CA (US); **M. Evans Hankey**, San Francisco, CA (US); **Julian Hoenig**, San Francisco, CA (US); **Richard P. Howarth**, San Francisco, CA (US); **Jonathan P. Ive**, San Francisco, CA (US); **Duncan Robert Kerr**, San Francisco, CA (US); **Kully Kraig Mandon**, San Francisco, CA (US); **Matthew Dean Rohrbach**, San Francisco, CA (US); **Peter Russell-Clarke**, San Francisco, CA (US); **Benjamin Andrew Shaffer**, San Jose, CA (US); **Jonathan P. Siegel**, San Francisco, CA (US); **Mikael Silvano**, San Francisco, CA (US); **Christopher J. Stringer**, Woodside, CA (US); **Eugene Antony Whang**, San Francisco, CA (US); **Rico Zörkendörfer**, San Francisco, CA (US)

(73) Assignee: **Apple Inc.**, Cupertino, CA (US)

(**) Term: **15 Years**

(21) Appl. No.: **29/600,162**

(22) Filed: **Apr. 10, 2017**

Related U.S. Application Data

(63) Continuation of application No. 29/577,887, filed on Sep. 16, 2016, now Pat. No. Des. 783,324, which is (Continued)

(51) **LOC (11) Cl.** **06-06**

(52) **U.S. Cl.**
USPC **D6/702**; D6/691

(58) **Field of Classification Search**
USPC D6/641, 663, 675, 685, 686, 691, D6/691.1-691.9, 702, 707, 707.19, 707.24
(Continued)

(56) **References Cited**

U.S. PATENT DOCUMENTS

D90,849 S 10/1933 Kayser
D969,886 9/1935 Jewell
(Continued)

OTHER PUBLICATIONS

Neil Hughes, "Apple retail stores 'bulging at the seams' at 8400 average square feet," Appleinsider.com, dated May 8, 2012, accessed at <http://appleinsider.com/articles/12/05/08/apple_retail_stores_bulging_at_the_seams_at_8400_average_square_feet>, accessed on Oct. 10, 2014, 2 pages.

(Continued)

Primary Examiner — Mary Ann Calabrese
(74) *Attorney, Agent, or Firm* — Sterne, Kessler, Goldstein & Fox P.L.L.C.

(57) **CLAIM**

The ornamental design for a table, as shown and described.

DESCRIPTION

FIG. 1 is a front perspective view of a table showing the claimed design in a closed configuration;
FIG. 2 is a rear perspective view thereof;
FIG. 3 is a front view thereof;
FIG. 4 is a rear view thereof;
FIG. 5 is a right side view thereof;
FIG. 6 is a left side view thereof;
FIG. 7 is a top view thereof;
FIG. 8 is a bottom view thereof;
FIG. 9 is a front perspective view of a table showing the claimed design in an open configuration;

(Continued)

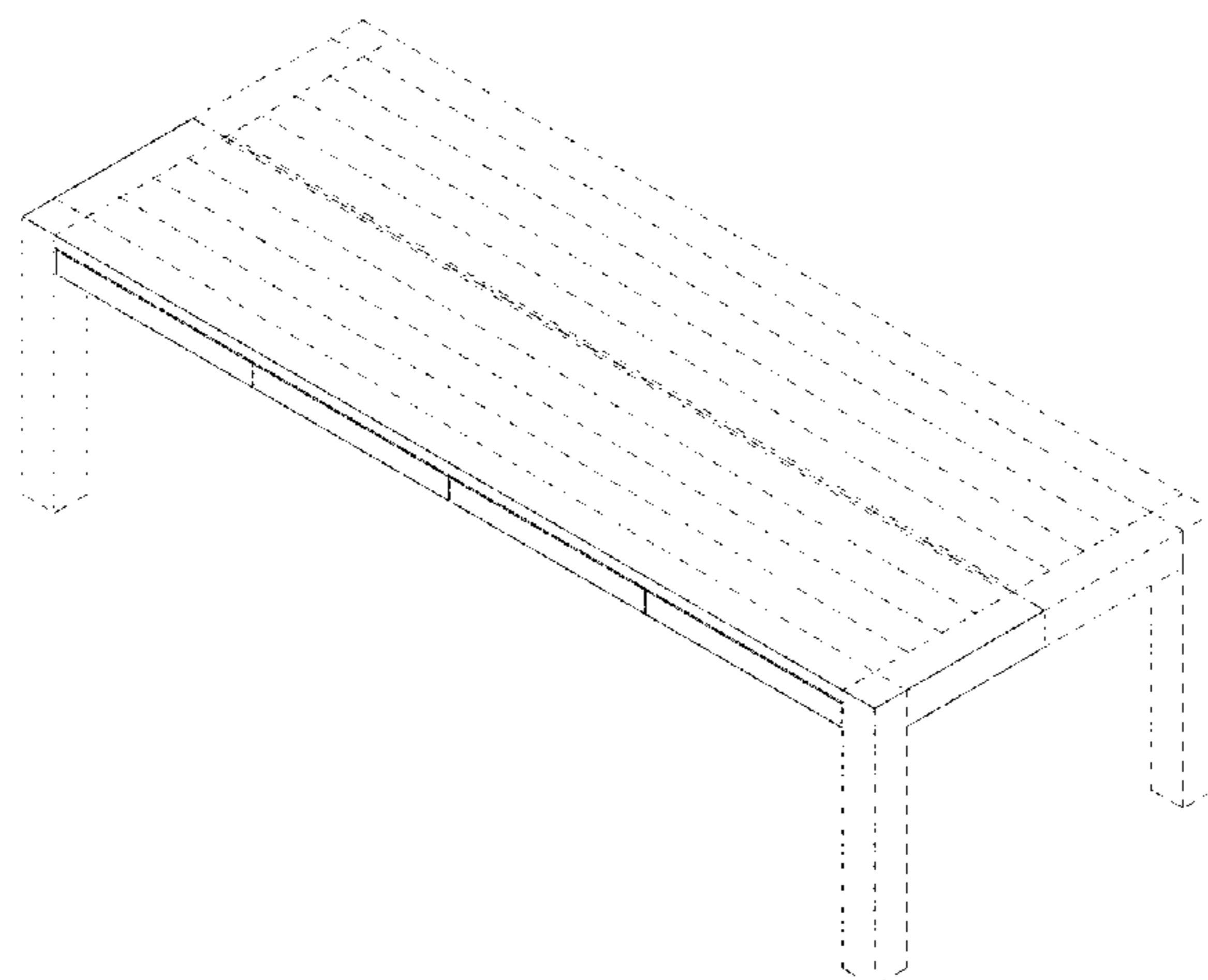


FIG. 10 is a rear perspective view thereof;
 FIG. 11 is a front view thereof;
 FIG. 12 is a rear view thereof;
 FIG. 13 is a right side view thereof;
 FIG. 14 is a left side view thereof;
 FIG. 15 is a top view thereof; and,
 FIG. 16 is a bottom view thereof.
 The broken lines in the Figures show portions of the table that form no part of the claimed design.
 The dot-dash lines show unclaimed boundaries that form no part of the claimed design.

1 Claim, 14 Drawing Sheets

Related U.S. Application Data

a continuation of application No. 29/501,841, filed on Sep. 9, 2014, now Pat. No. Des. 766,633, and a continuation of application No. 29/500,951, filed on Aug. 29, 2014, now Pat. No. Des. 766,631, and a continuation of application No. 29/495,788, filed on Jul. 3, 2014, now Pat. No. Des. 766,632, and a continuation of application No. 29/493,879, filed on Jun. 13, 2014, now Pat. No. Des. 766,630, and a continuation of application No. 29/500,951, filed on Aug. 29, 2014, now Pat. No. Des. 766,631, and a continuation-in-part of application No. 29/495,788, filed on Jul. 3, 2014, now Pat. No. Des. 766,632, which is a continuation of application No. 29/493,879, filed on Jun. 13, 2014, now Pat. No. Des. 766,630.

(58) **Field of Classification Search**

CPC .. A47B 5/00; A47B 7/00; A47B 13/00; A47B 13/08; A47B 13/081; A47B 13/088; A47B 13/10; A47B 13/12; A47B 21/00; A47B 21/06; A47B 2200/0001; A47B 2200/0066

See application file for complete search history.

(56) **References Cited**

U.S. PATENT DOCUMENTS

3,289,616 A 12/1966 Donihi
 D221,238 S * 7/1971 Gianfagna H02J 7/025
 D245,135 S 7/1977 Saltz et al. D6/647

D330,132 S * 10/1992 Shields A47B 13/12
 D6/691
 D385,728 S 11/1997 Mulligan et al.
 D414,354 S 9/1999 Gower
 D442,391 S 5/2001 Wu
 D448,211 S 9/2001 Schulte et al.
 D484,717 S 1/2004 de Blois
 D516,842 S 3/2006 Cross
 D522,274 S 6/2006 Coval
 D527,928 S 9/2006 Spector et al.
 D556,473 S 12/2007 Good
 D584,072 S * 1/2009 Mohundro A47B 21/06
 D6/642
 D591,079 S 4/2009 Singler et al.
 D591,979 S 5/2009 Singler et al.
 D657,978 S 4/2012 Hamm et al.
 D678,696 S 3/2013 Hamm et al.
 D679,521 S 4/2013 Hamm et al.
 D688,494 S 8/2013 Hamm et al.
 D693,156 S 11/2013 Hamm et al.
 D713,658 S 9/2014 Tio et al.
 D724,388 S 3/2015 Smeja
 D725,947 S 4/2015 Tio et al.
 D728,281 S 5/2015 Heirakuji et al.
 D729,560 S 5/2015 Hamm et al.
 D734,078 S 7/2015 Bougay
 D734,965 S 7/2015 Tio et al.
 D742,666 S 11/2015 Akana et al.
 D753,418 S 4/2016 Hsu
 D758,106 S 6/2016 Hamm et al.
 D766,630 S 9/2016 Akana et al.
 D766,631 S 9/2016 Akana et al.
 D766,632 S 9/2016 Akana et al.
 D766,633 S * 9/2016 Akana D6/702
 D767,310 S 9/2016 Akana et al.
 D769,654 S 10/2016 Akana et al.
 D776,471 S 1/2017 Mandon et al.
 D799,250 S * 10/2017 Schwalbach D6/691.2
 D823,621 S * 7/2018 Everson D6/691.9
 D827,339 S * 9/2018 Clark D6/675
 D833,189 S * 11/2018 Inovero D6/691.8
 2010/0043679 A1 2/2010 Laws et al.
 2012/0154297 A1 * 6/2012 Schultz A47B 13/12
 345/173
 2015/0320203 A1 * 11/2015 Mandon A47B 21/06
 108/20
 2016/0064996 A1 * 3/2016 Green H02J 7/025
 320/108

OTHER PUBLICATIONS

Valentina Palladino, "Apple Store Receives Trademark for 'Distinctive Design and Layout,'" Wired.com, dated Jan. 30, 2013, accessed at <<http://www.wired.com/2013/01/apple-store-trademark/>>, accessed on Oct. 10, 2014, 2 pages.

* cited by examiner

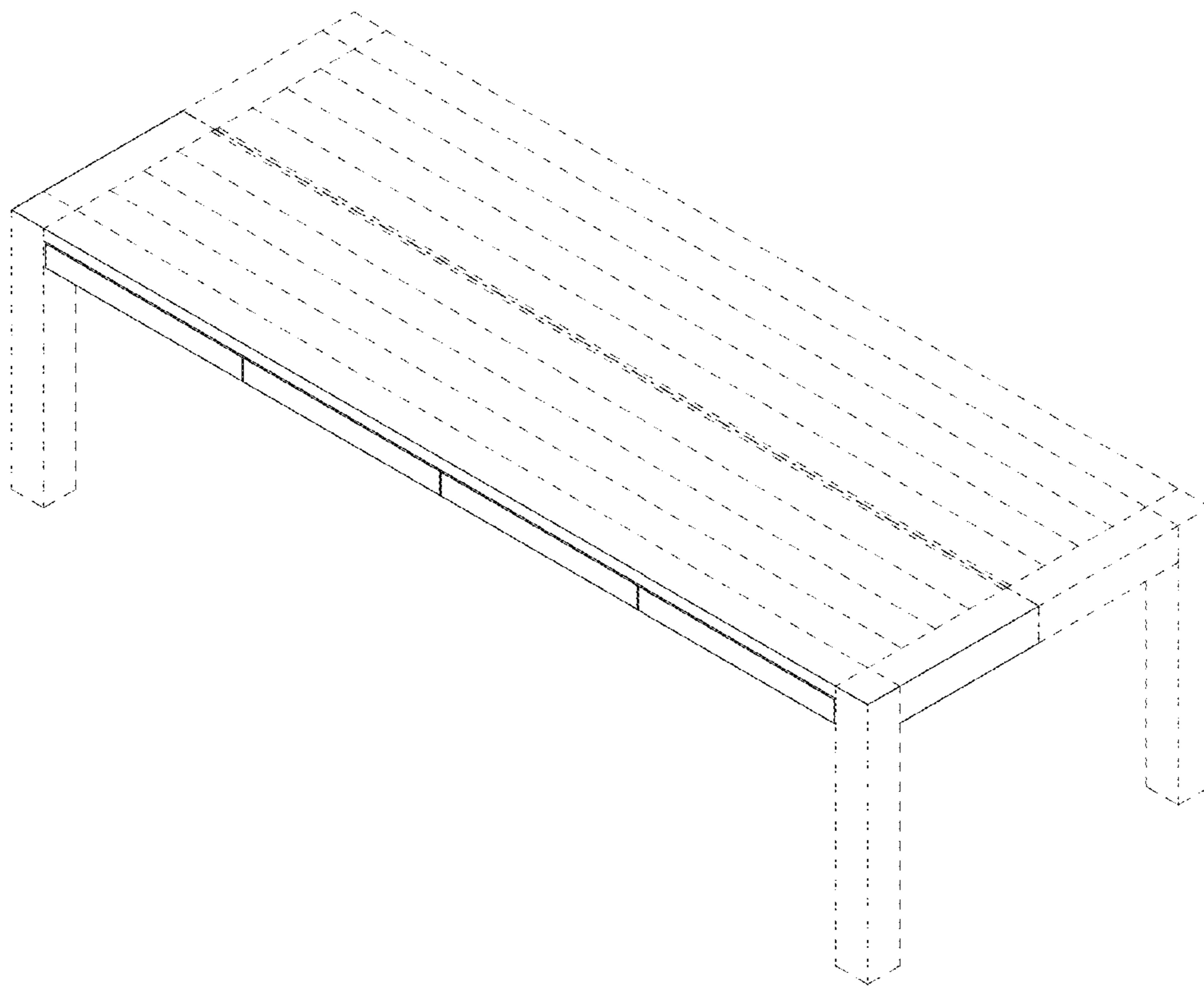


FIG. 1

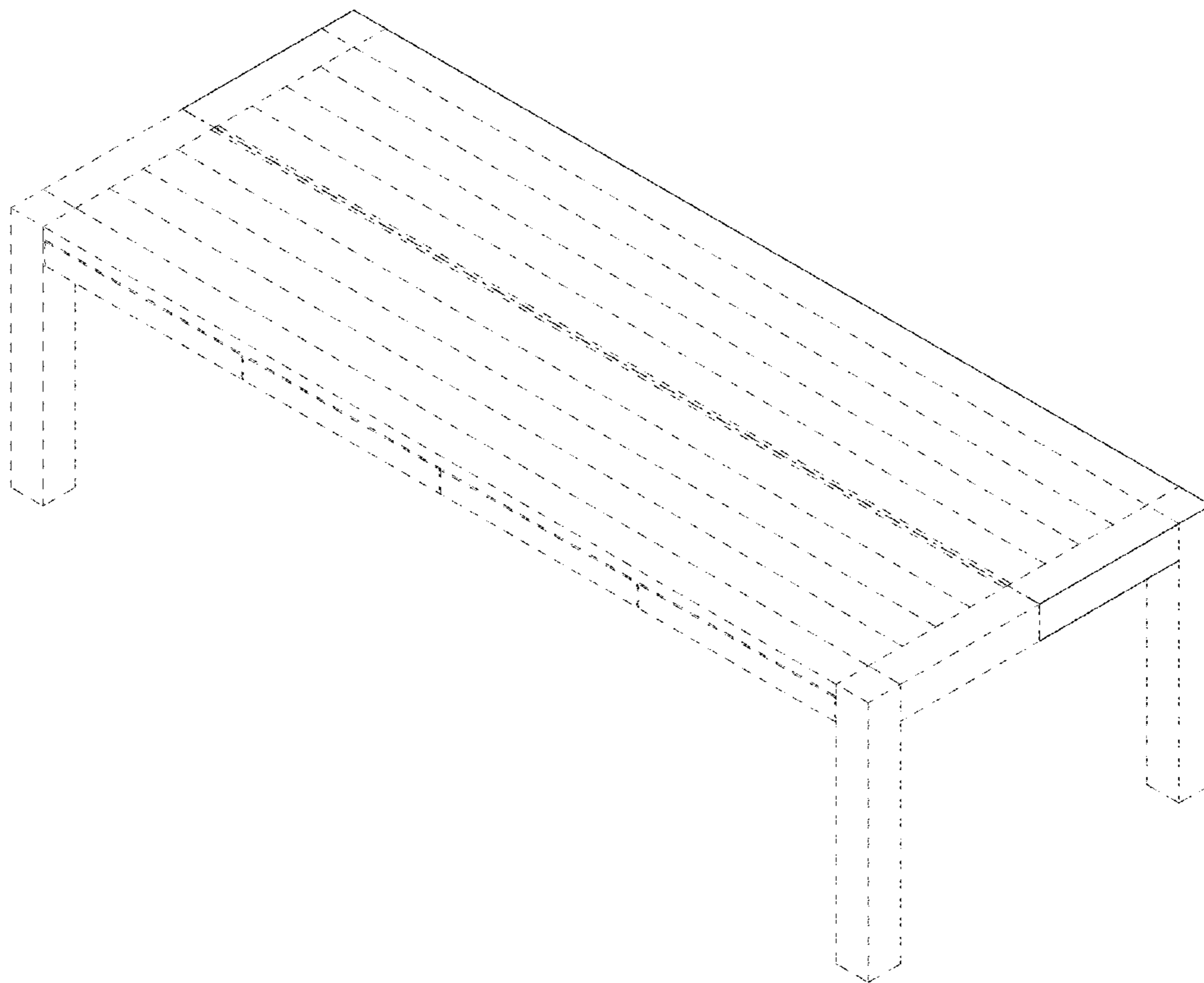


FIG. 2

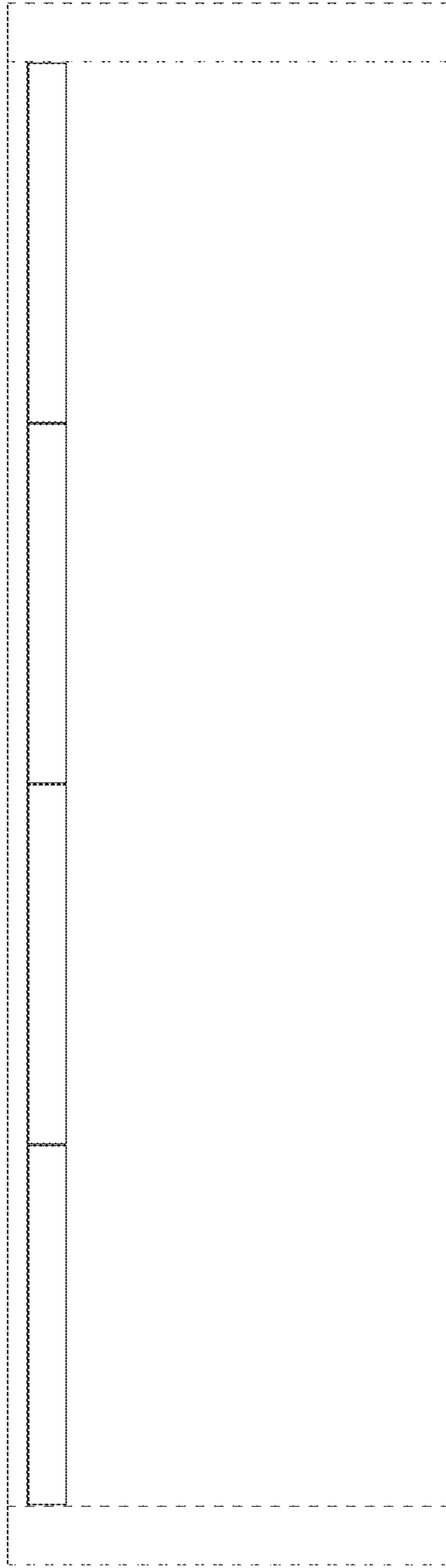


FIG. 3

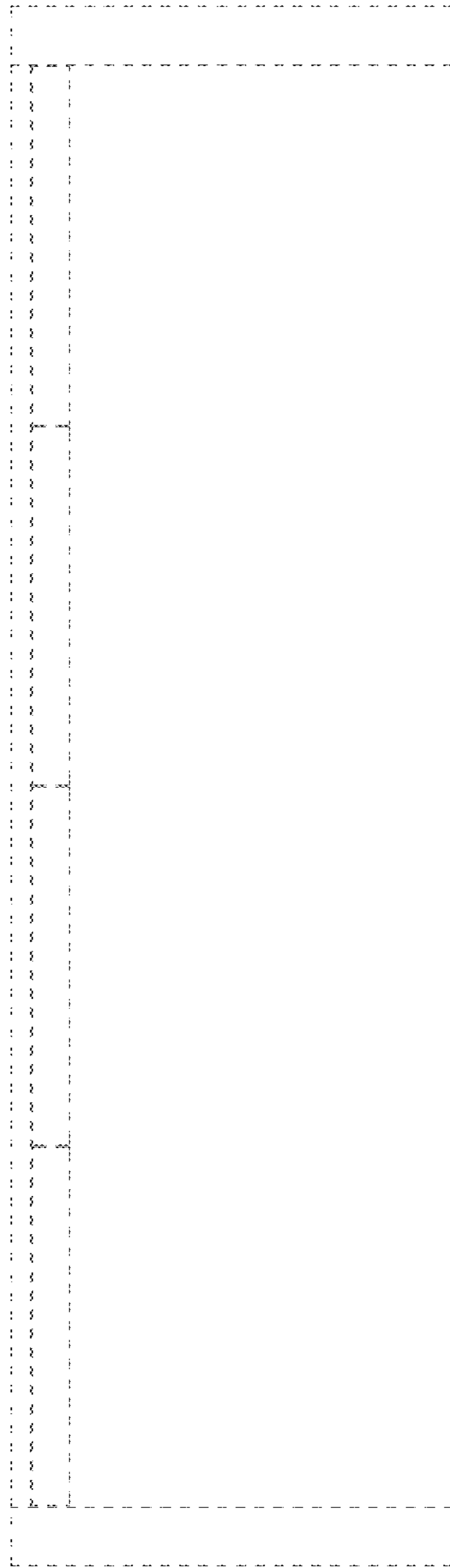


FIG. 4

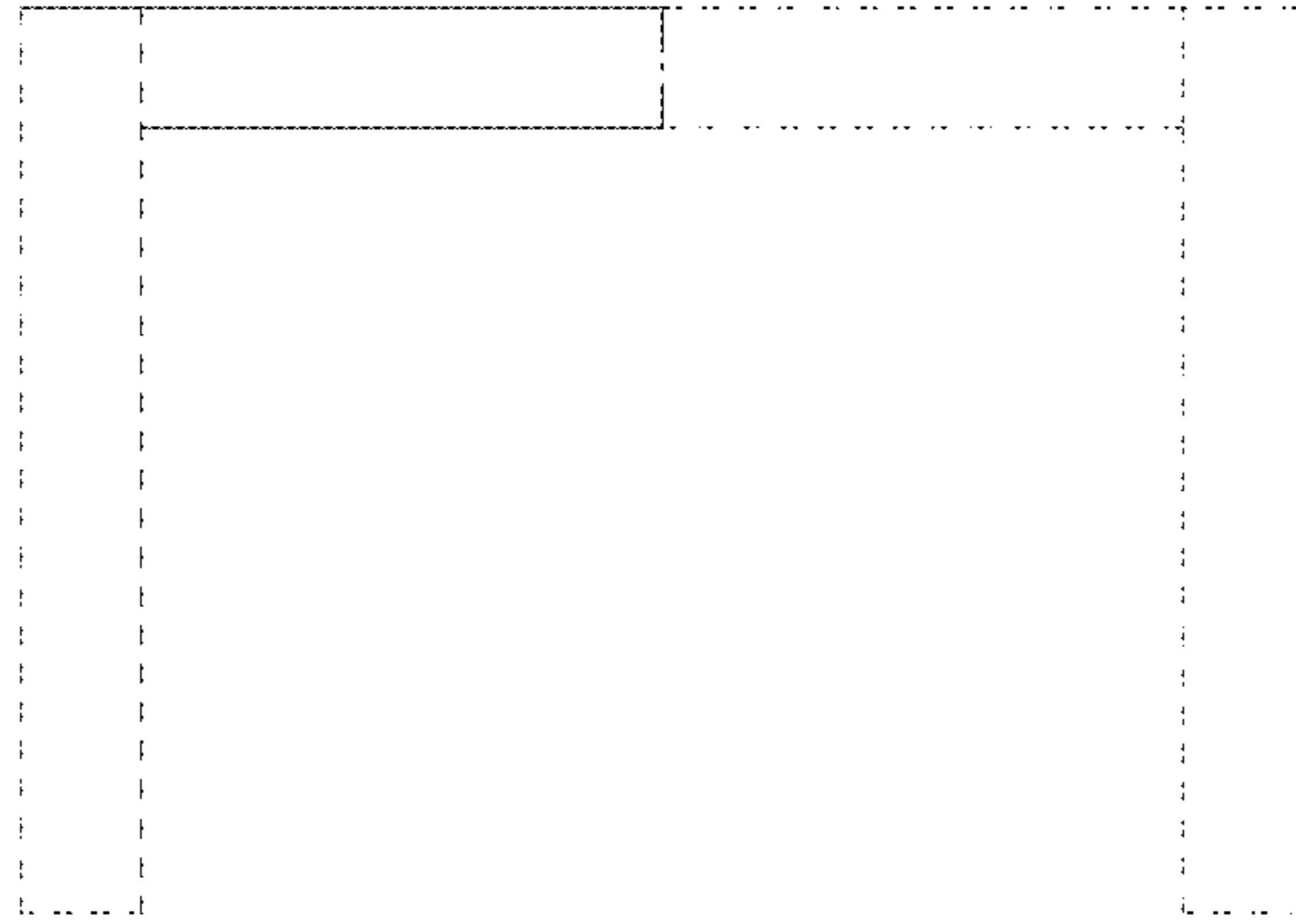


FIG. 5

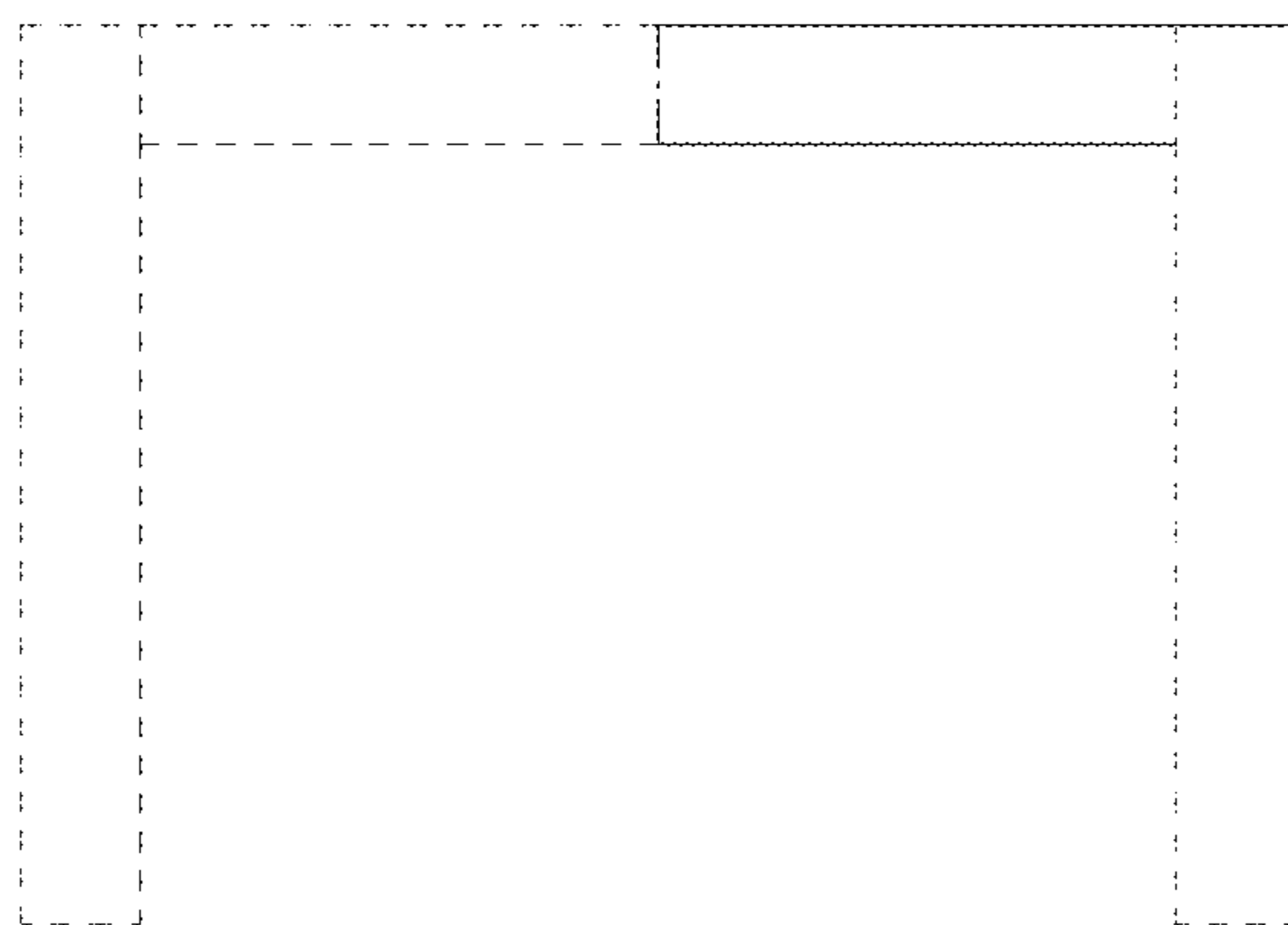


FIG. 6

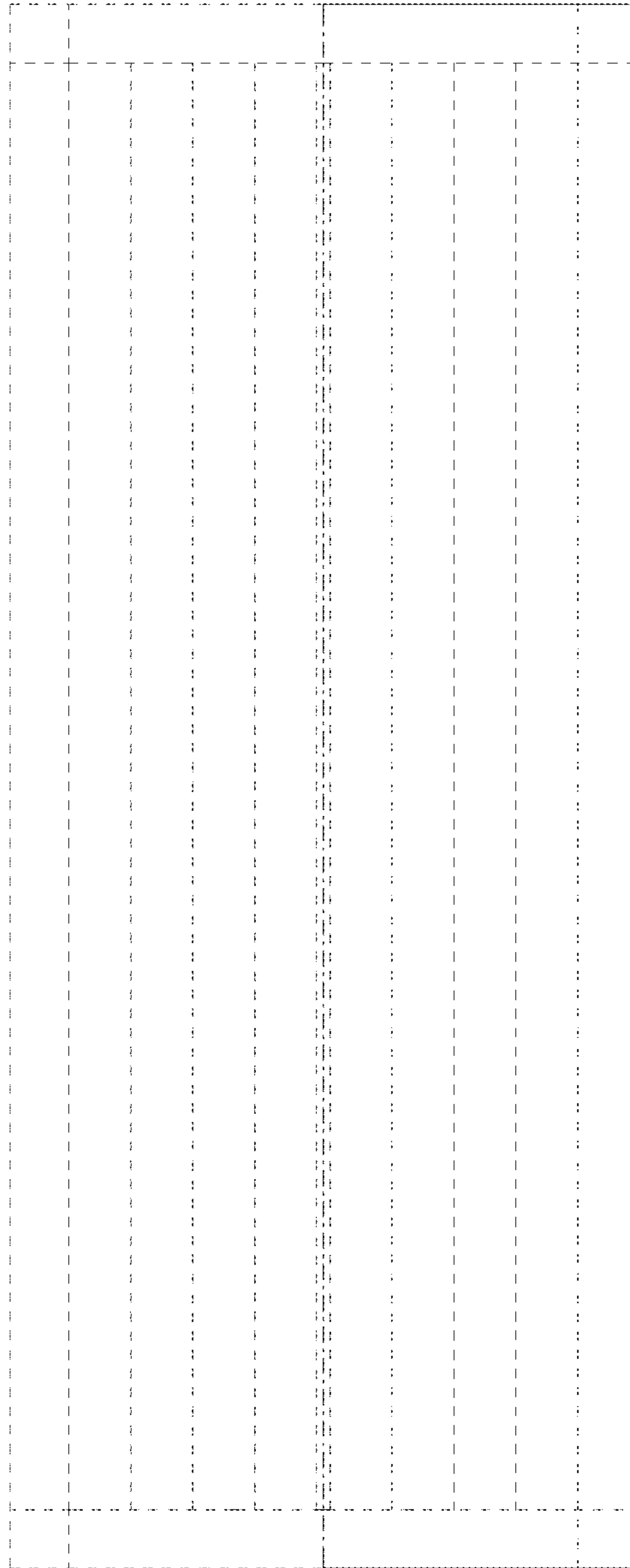


FIG. 7

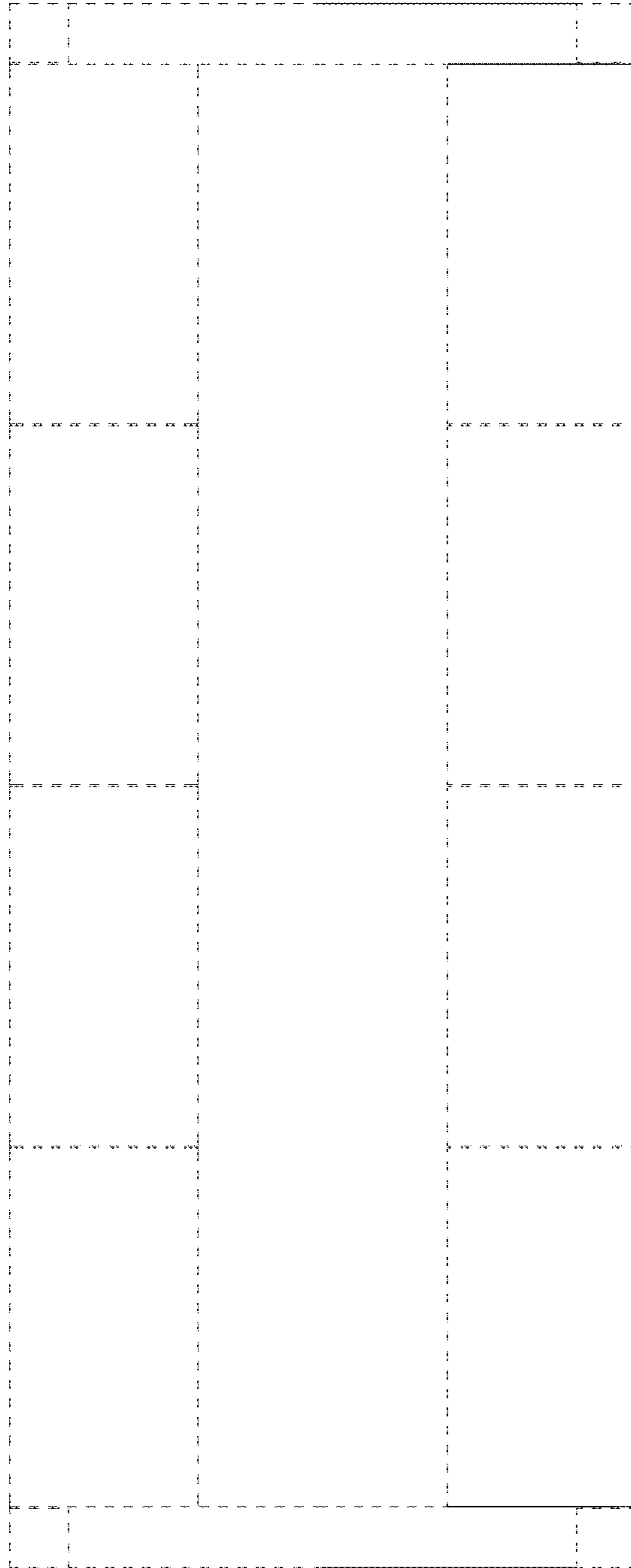


FIG. 8

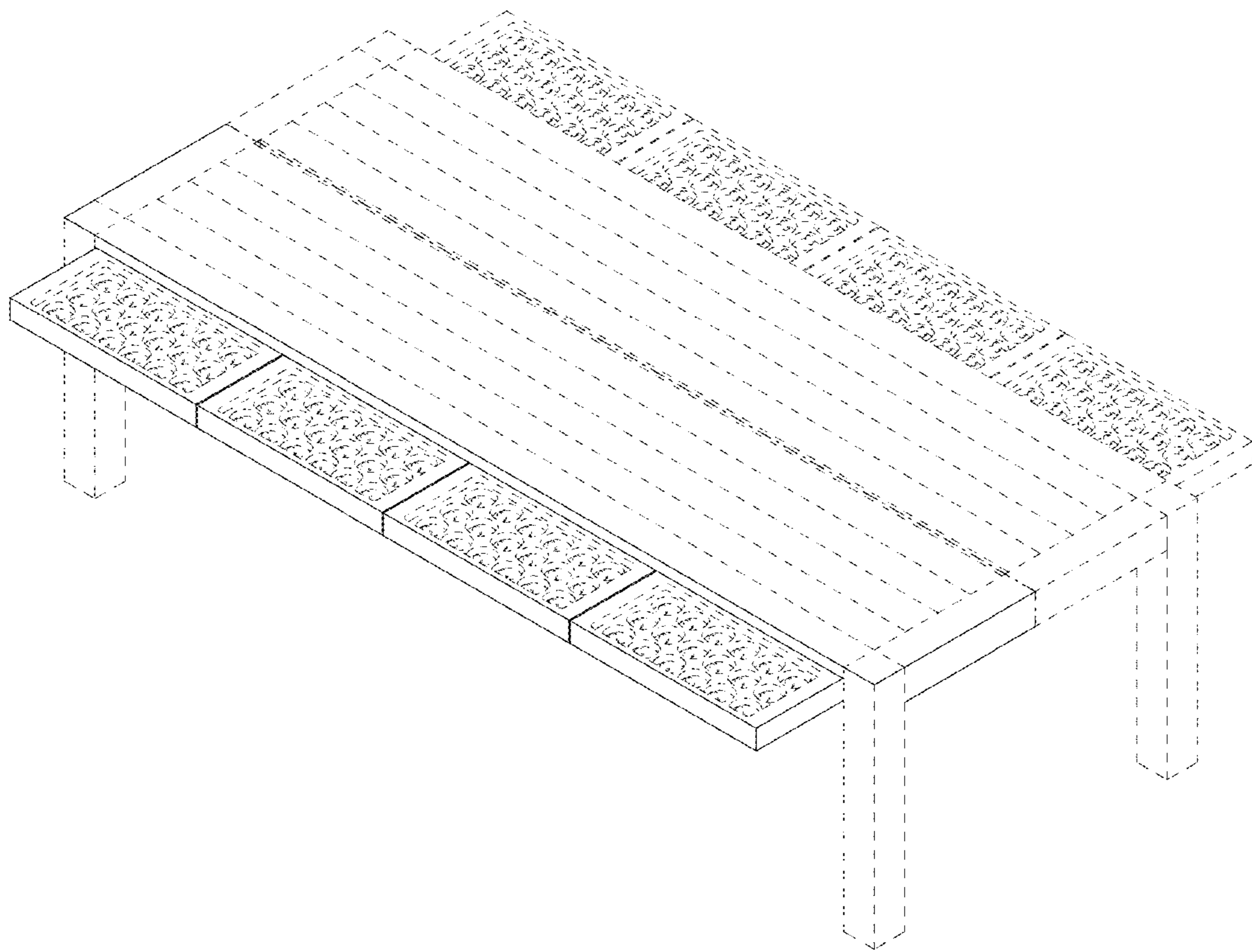


FIG. 9

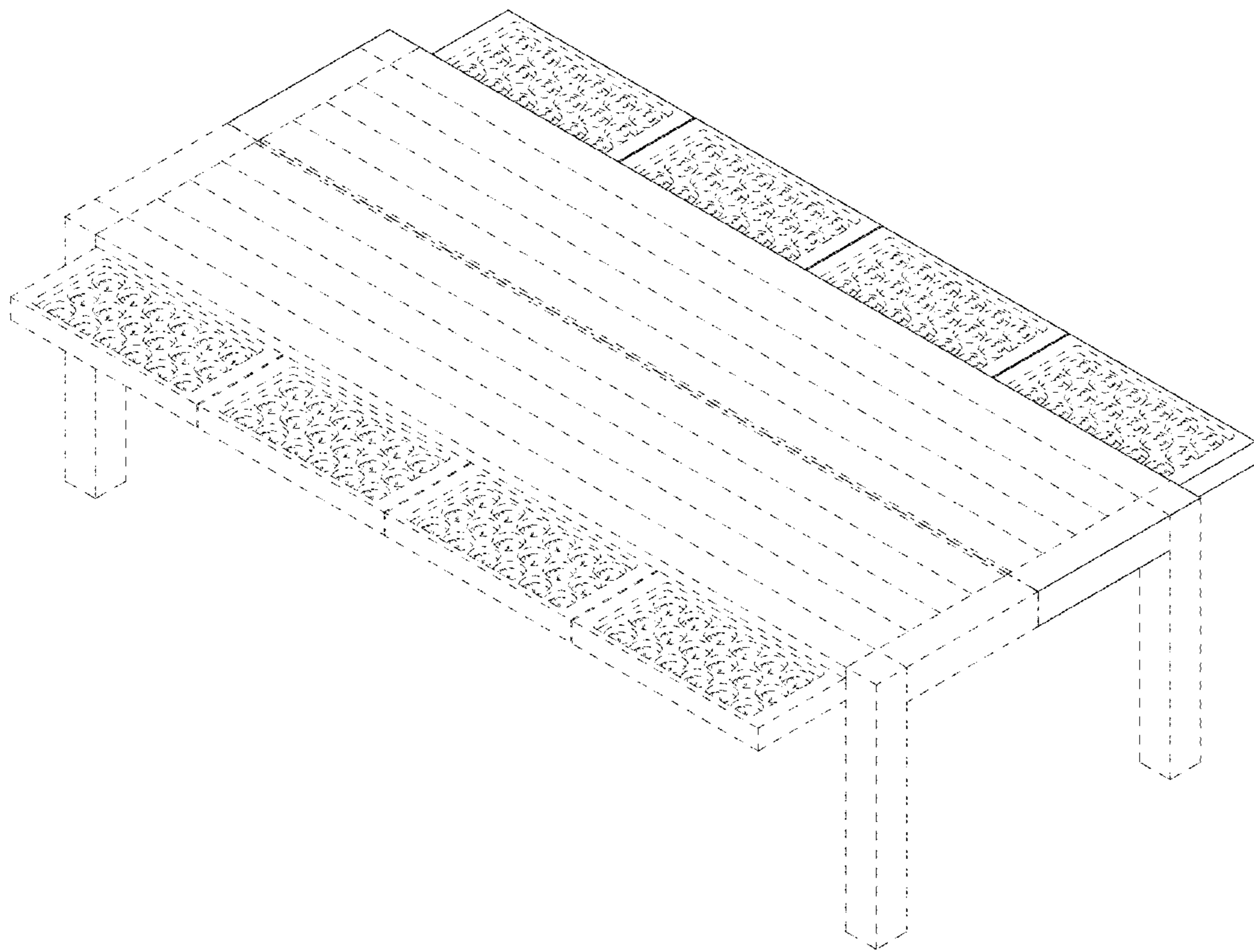


FIG. 10

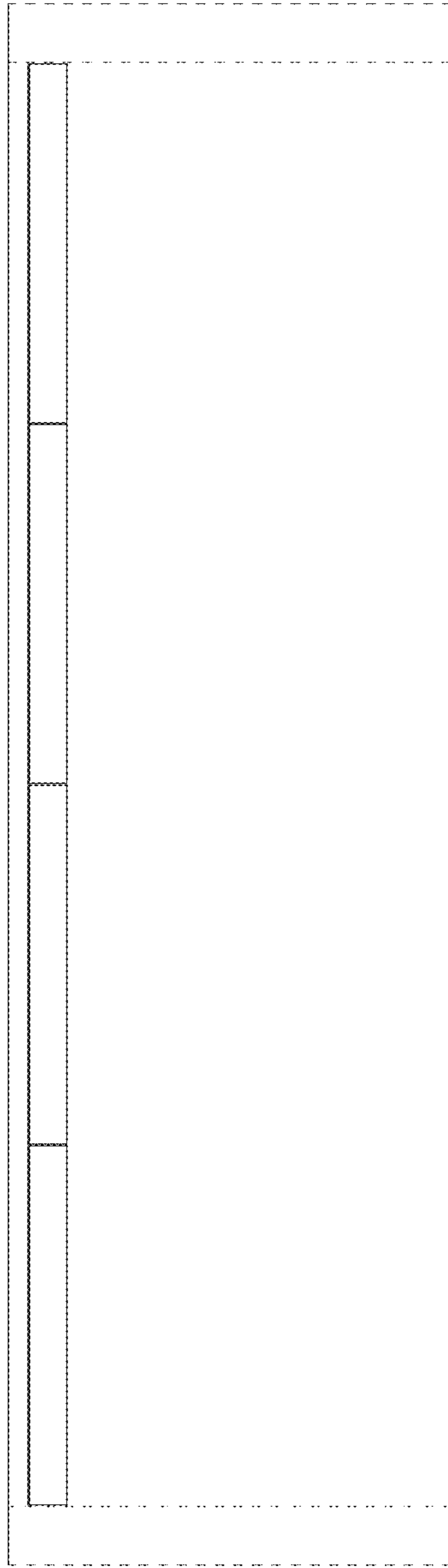


FIG. 11

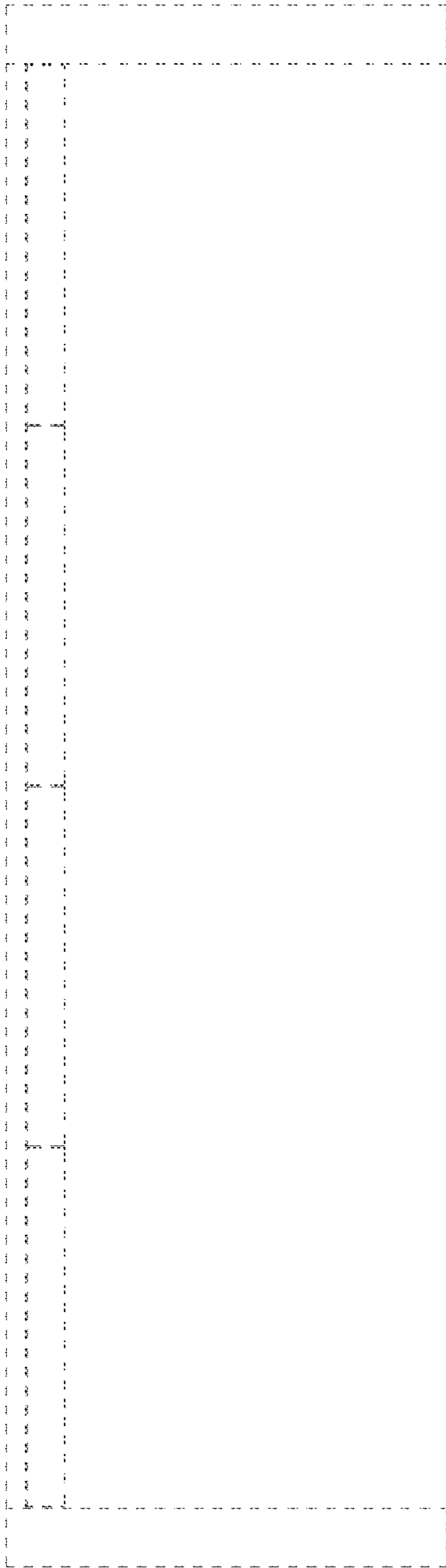


FIG. 12

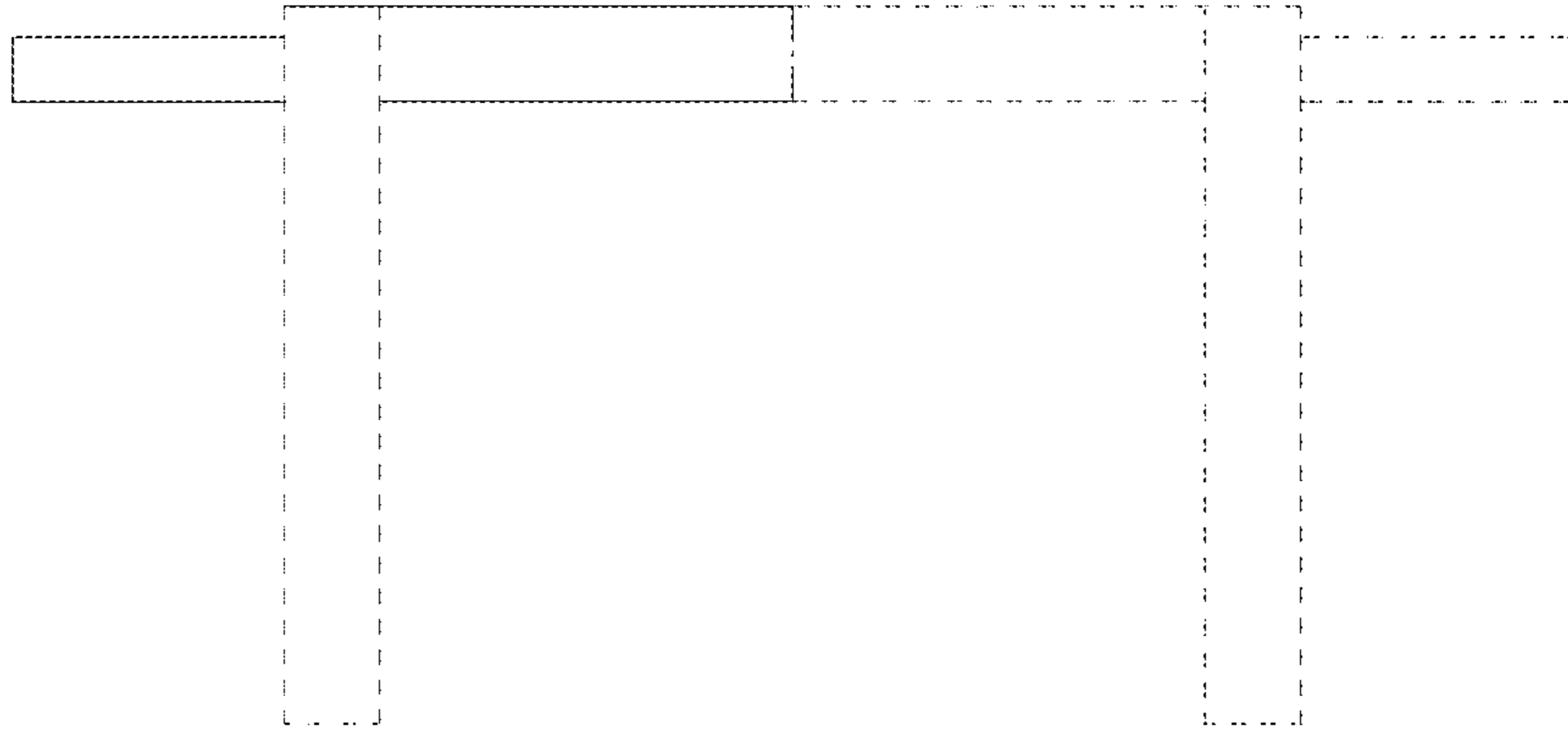


FIG. 13

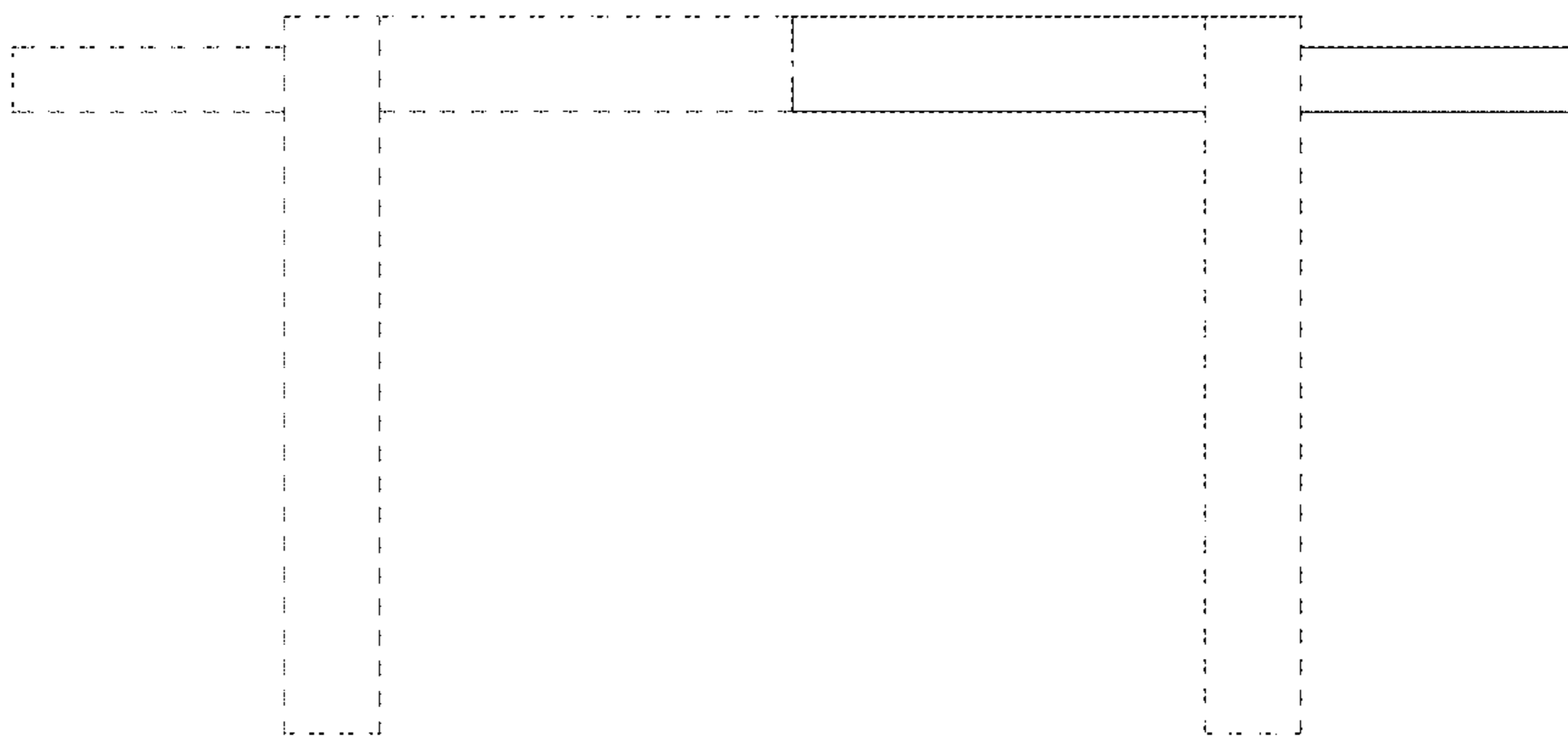


FIG. 14

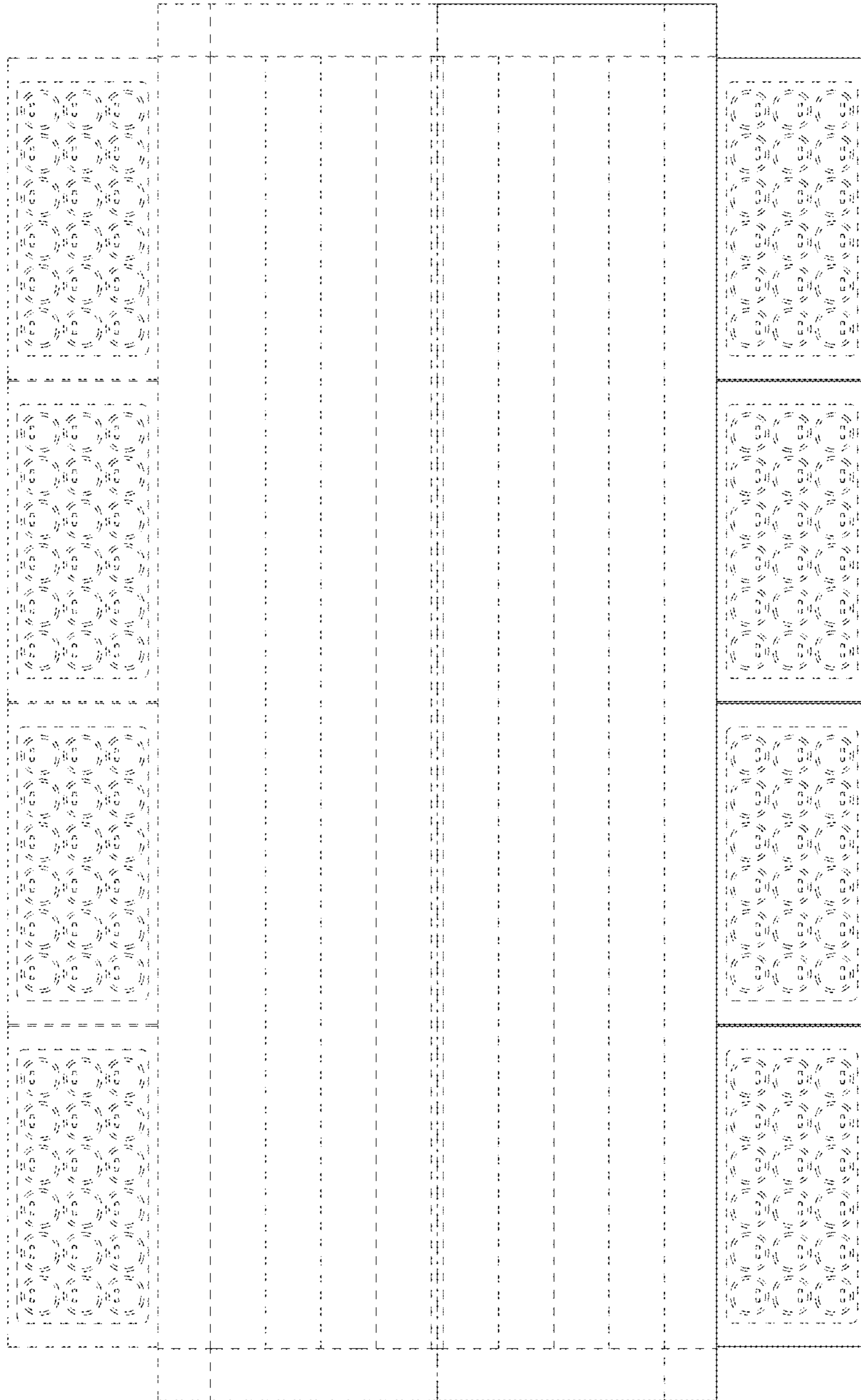


FIG. 15

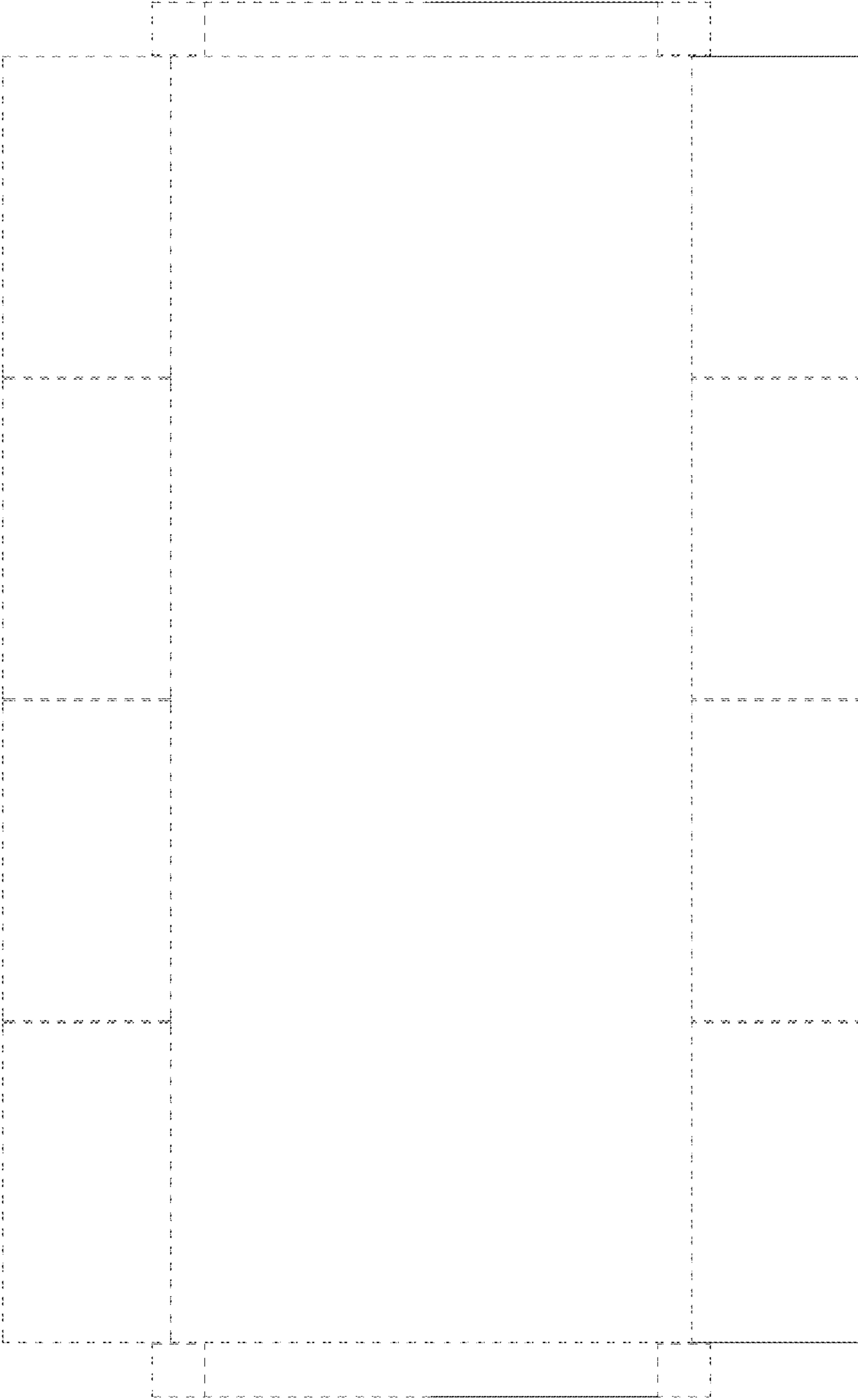


FIG. 16