



US00D848771S

(12) **United States Design Patent**  
**McDowell et al.**

(10) **Patent No.:** **US D848,771 S**

(45) **Date of Patent:** **\*\* May 21, 2019**

- (54) **DISPLAY HOLDER**
- (71) Applicant: **Target Brands, Inc.**, Minneapolis, MN (US)
- (72) Inventors: **Daniel K. McDowell**, Minneapolis, MN (US); **Stanley J. Valiulis**, Rockford, IL (US); **Gabriel G. Garibay**, Minneapolis, MN (US); **Nicholas C. Juric**, Rockford, IL (US)
- (73) Assignee: **Target Brands, Inc.**, Minneapolis, MN (US)

2,969,155	A *	1/1961	Atkinson	.....	A47B 55/02
					211/189
D270,118	S *	8/1983	Wood	.....	D6/678.4
D290,562	S *	6/1987	Tocci	.....	D6/672
D318,196	S *	7/1991	Sheng	.....	D6/678.4
D324,142	S *	2/1992	Cassel	.....	D6/678.4
5,103,985	A *	4/1992	Davis	.....	A47F 7/08
					211/189
D330,471	S *	10/1992	Rogers	.....	D15/199
D330,987	S *	11/1992	Rosenthal	.....	D6/566
D354,181	S *	1/1995	Smith	.....	D6/515
D367,382	S *	2/1996	Tseng	.....	D32/59
D587,490	S *	3/2009	Siegel	.....	D6/675.2
D682,499	S *	5/2013	Williams	.....	D32/58
2017/0190046	A1 *	7/2017	Winnard	.....	A47B 45/00

(\*\*) Term: **15 Years**

\* cited by examiner

(21) Appl. No.: **29/617,498**

*Primary Examiner* — Kelley A Donnelly

(22) Filed: **Sep. 14, 2017**

(74) *Attorney, Agent, or Firm* — Leanne Taveggia Farrell; Westman, Champlin & Koehler, P.A.

(51) **LOC (11) Cl.** ..... **06-06**

(52) **U.S. Cl.**  
USPC ..... **D6/675.2**

(58) **Field of Classification Search**  
 USPC ..... D6/315, 317, 319, 329, 675, 675.2, D6/675.3, 675.5, 678.4, 682, 680.1, D6/680.2, 680.3; D7/600, 600.1–600.4, D7/571–572, 576–577  
 CPC ..... A47B 73/002; A47B 73/00; A47B 47/00; A47F 5/0018; A47F 5/0056; A47F 5/0062; B65D 21/0211  
 See application file for complete search history.

(57) **CLAIM**

The ornamental design for a display holder, as shown.

**DESCRIPTION**

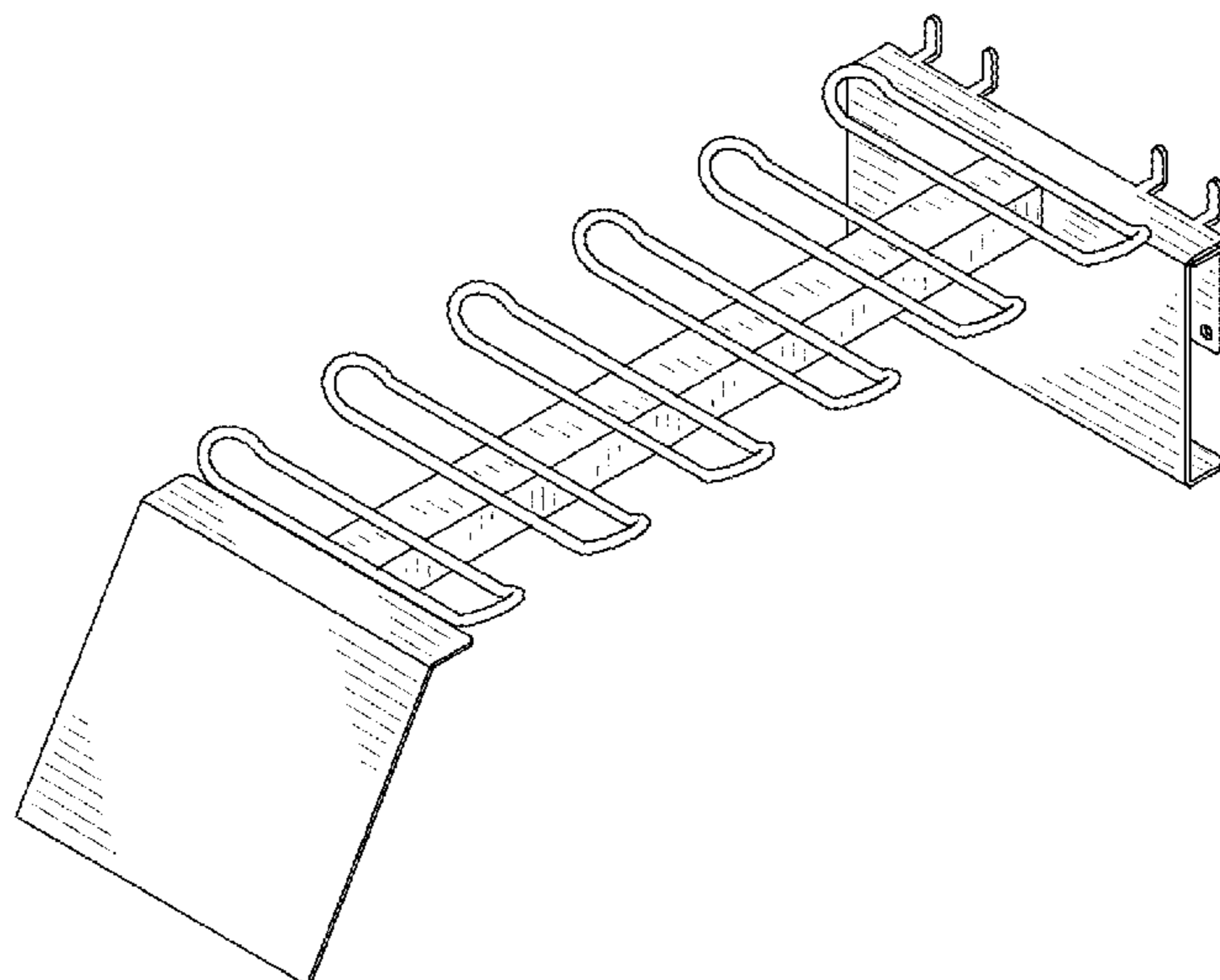
FIG. 1 is a perspective view of a display holder showing our new design;  
 FIG. 2 is a top view thereof;  
 FIG. 3 is a right side view thereof, the left side being a mirror image;  
 FIG. 4 is a front view thereof; and,  
 FIG. 5 is a back view thereof.

**1 Claim, 3 Drawing Sheets**

(56) **References Cited**

**U.S. PATENT DOCUMENTS**

2,695,106	A *	11/1954	Cohen	.....	A47B 61/04
					211/38
2,943,741	A *	7/1960	Atkinson	.....	A47L 23/20
					211/37



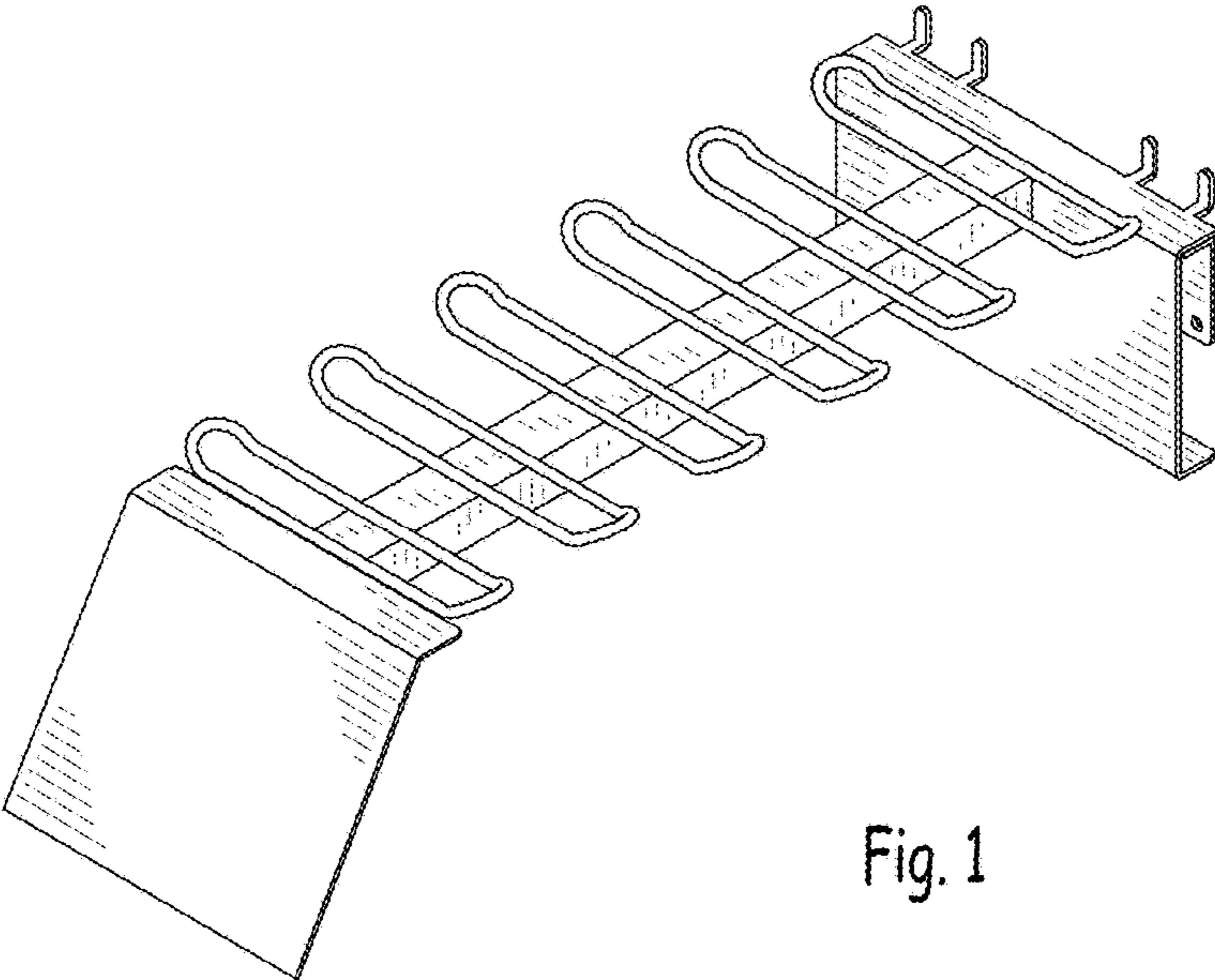


Fig. 1

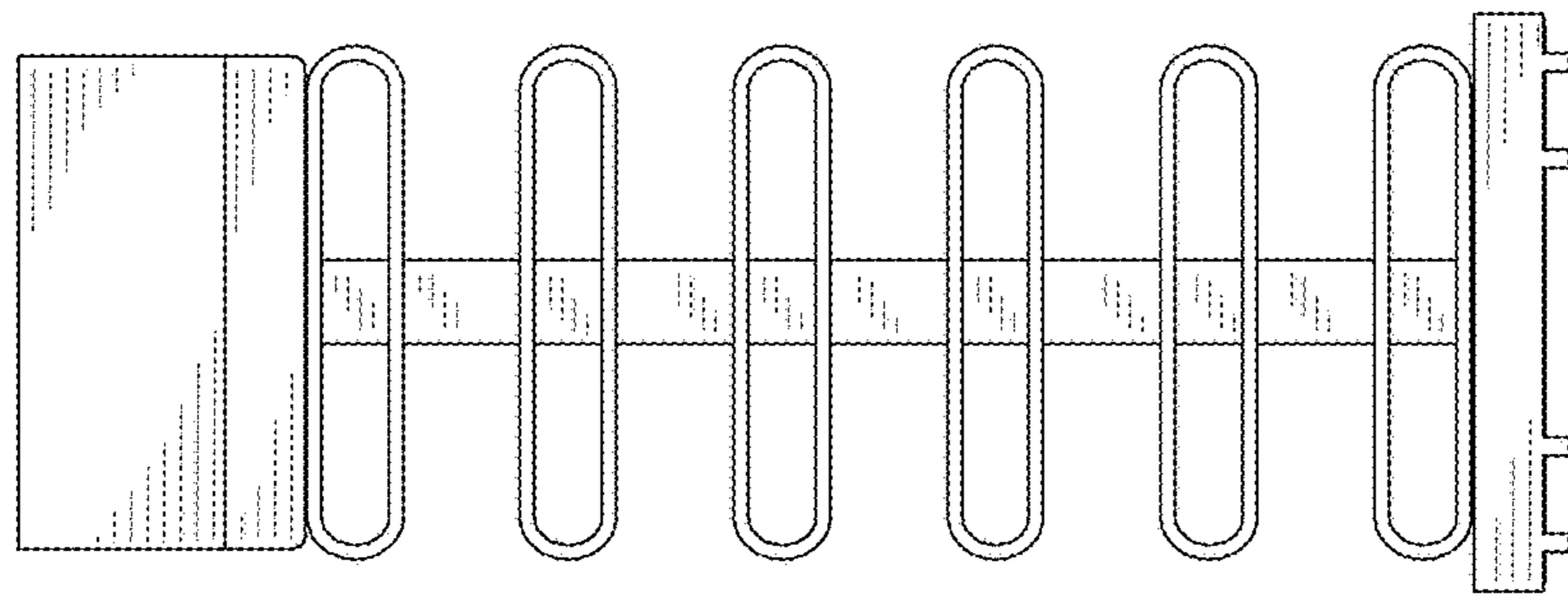


Fig. 2

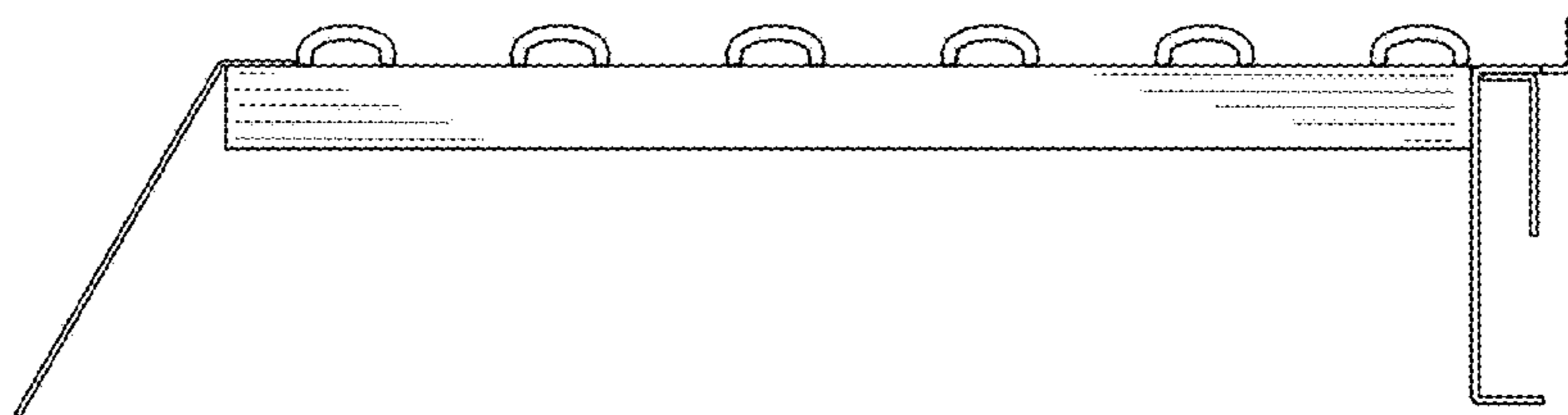


Fig. 3

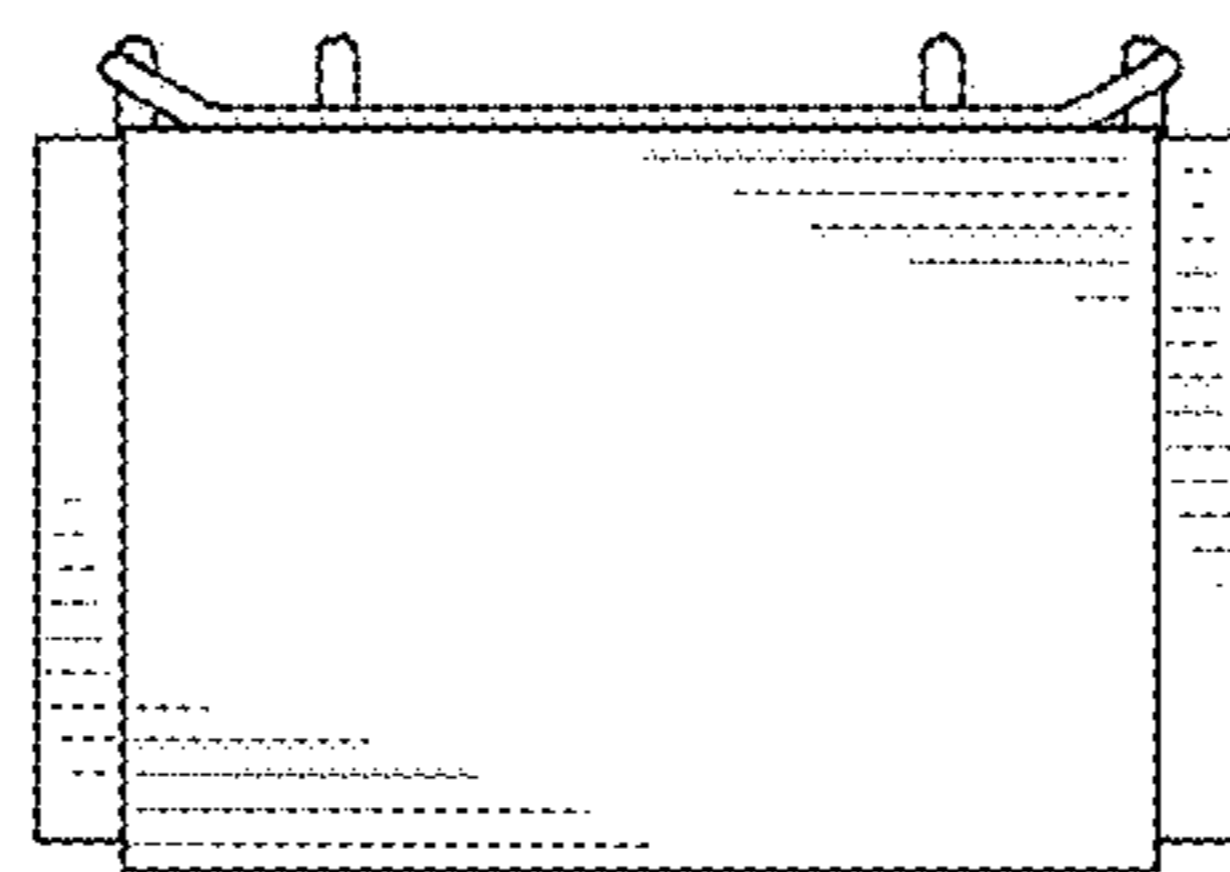


Fig. 4

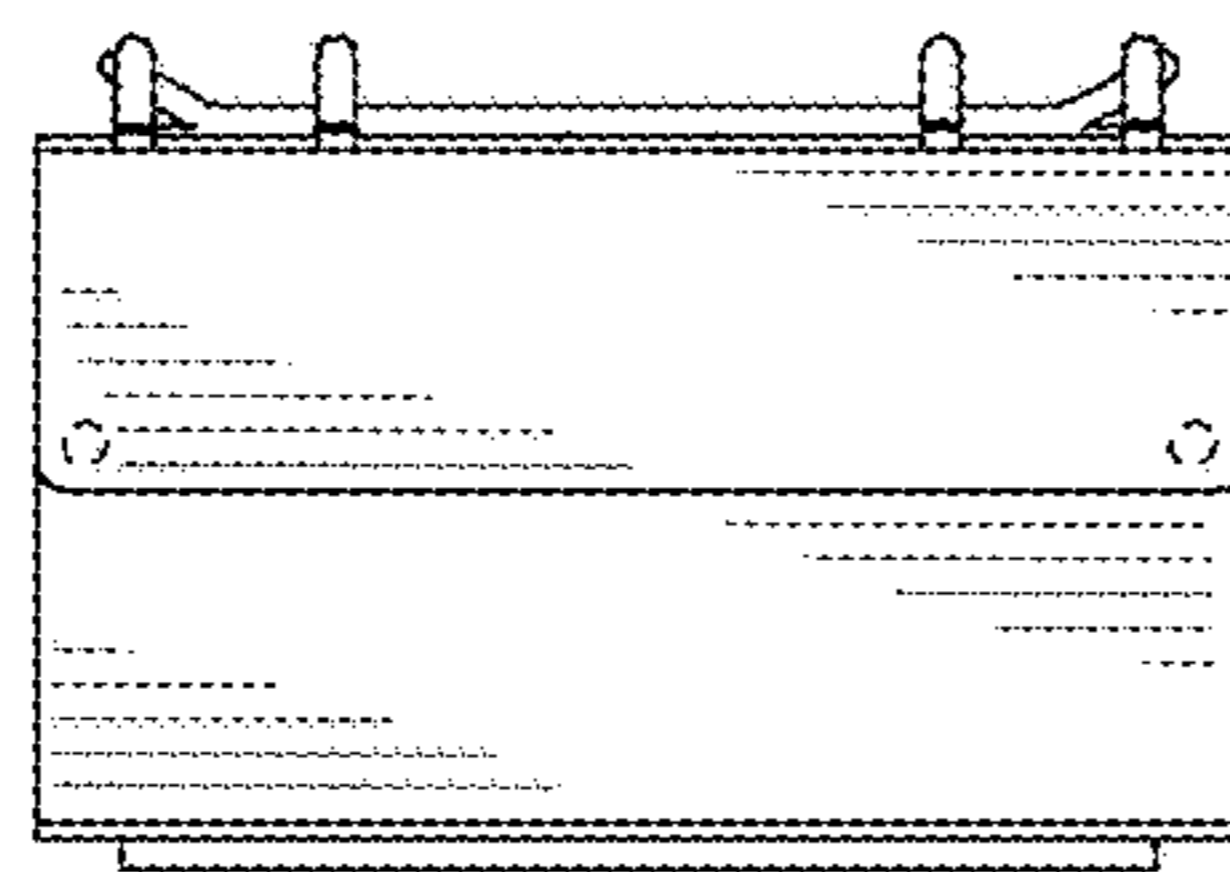


Fig. 5