



US00D848767S

(12) **United States Design Patent** (10) **Patent No.:** **US D848,767 S**
Smrstick (45) **Date of Patent:** **** May 21, 2019**

(54) **LOW CABINET**

(71) Applicant: **Blu Dot Design & Manufacturing, Inc.**, Minneapolis, MN (US)
(72) Inventor: **Scott Smrstick**, Minneapolis, MN (US)
(73) Assignee: **Blu Dot Design & Manufacturing, Inc.**, Minneapolis, MN (US)
(**) Term: **15 Years**

(21) Appl. No.: **29/625,005**
(22) Filed: **Nov. 6, 2017**
(51) **LOC (11) Cl.** **06-04**
(52) **U.S. Cl.**
USPC **D6/657**
(58) **Field of Classification Search**
USPC D6/407, 657, 661, 663, 664, 664.1, D6/668.2, 671, 671.1, 671.4, 675, 675.1, D6/675.5, 683.1, 691.1, 691.8, 691.9, D6/702, 703; D14/168, 184; D15/85
CPC ... A47B 47/024; A47B 87/008; A47B 87/002; A47B 88/48; A47B 88/90; A47F 3/0413; A47F 5/116; A47F 5/0018; A47F 9/00; Y10T 428/24694; F25D 21/14; F25D 23/069; F25D 2400/10
See application file for complete search history.

(56) **References Cited**

U.S. PATENT DOCUMENTS

D165,088 S * 11/1951 Moelgin D23/328
D334,852 S * 4/1993 Beirise D6/657
D452,624 S * 1/2002 de Blois D6/691.9
D485,709 S * 1/2004 de Blois D6/675
D499,274 S * 12/2004 Juneau D6/657
D508,347 S * 8/2005 Juneau D6/671.1
D517,344 S * 3/2006 Zens D6/407
D529,314 S * 10/2006 Tako D6/675
D529,316 S * 10/2006 Fujiki D6/675

(Continued)

OTHER PUBLICATIONS

Blu Dot Catalog No. 16, Designed in Minneapolis, Minnesota, Copyright 2015, 44 pages.

(Continued)

Primary Examiner — Kevin K Rudzinski

Assistant Examiner — Paul D Bohannon

(74) *Attorney, Agent, or Firm* — Fredrikson & Byron, P.A.

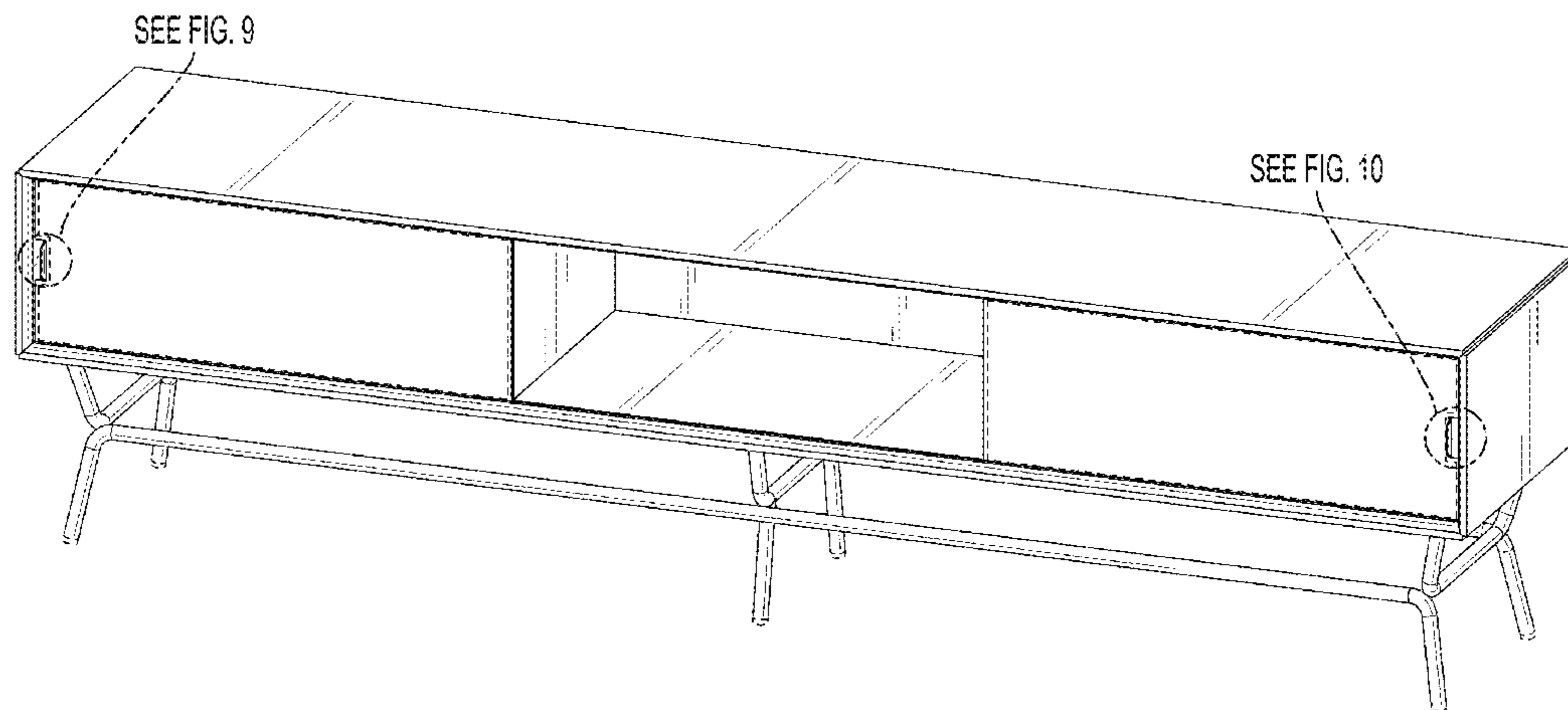
(57) **CLAIM**

I claim the ornamental design for a low cabinet, as shown and described.

DESCRIPTION

FIG. 1 is a front upper right perspective view of a low cabinet of Applicant's design;
FIG. 2 is a front upper left perspective view thereof;
FIG. 3 is a front elevational view thereof;
FIG. 4 is a rear elevational view thereof;
FIG. 5 is a right-side elevational view thereof;
FIG. 6 is a left-side elevation view thereof;
FIG. 7 is a top plan view thereof;
FIG. 8 is a bottom plan view thereof;
FIG. 9 is an enlarged view of the portion of FIG. 1 marked with SEE FIG. 9;
FIG. 10 is an enlarged view of the portion of FIG. 1 marked with SEE FIG. 10;
FIG. 11 is an enlarged view of the portion of FIG. 2 marked with SEE FIG. 11;
FIG. 12 is an enlarged view of the portion of FIG. 2 marked with SEE FIG. 12;
FIG. 13 is an enlarged view of the portion of FIG. 3 marked with SEE FIG. 13; and,
FIG. 14 is an enlarged view of the portion of FIG. 3 marked with see FIG. 14.
Where included, broken lines showing environment or structure are for illustrative purposes only and form no part of the claimed design.

1 Claim, 9 Drawing Sheets



(56)

References Cited

U.S. PATENT DOCUMENTS

D532,624	S	*	11/2006	Juneau	D6/657
D534,379	S	*	1/2007	Juneau	D6/691.8
D567,536	S	*	4/2008	Paterson	D6/657
D598,672	S	*	8/2009	Maly	D6/671.1
D606,331	S	*	12/2009	Wicha	D6/657
D622,976	S	*	9/2010	Lovegrove	D6/671.1
D644,853	S	*	9/2011	Becker	D6/661
D717,569	S	*	11/2014	Davis	D6/657
D718,955	S	*	12/2014	Helser	D6/657
D728,280	S	*	5/2015	Weatherly	D6/671.1
D742,667	S	*	11/2015	Weatherly	D6/671.1
D743,721	S	*	11/2015	Weatherly	D6/671.1
D772,615	S	*	11/2016	Pinna	D6/671
D793,776	S	*	8/2017	Davis	D6/675
D815,464	S	*	4/2018	Caillouet	D6/657
D825,229	S	*	8/2018	Massaud	D6/675

OTHER PUBLICATIONS

Blu Dot Catalog No. 17, Designed in Minneapolis, Minnesota, Copyright 2015, 52 pages.

Blu Dot Catalog No. 18, Designed in Minneapolis, Minnesota, Copyright 2015, 51 pages.

Blu Dot Catalog No. 19, Designed in Minneapolis, Minnesota, Copyright 2016, 54 pages.

* cited by examiner

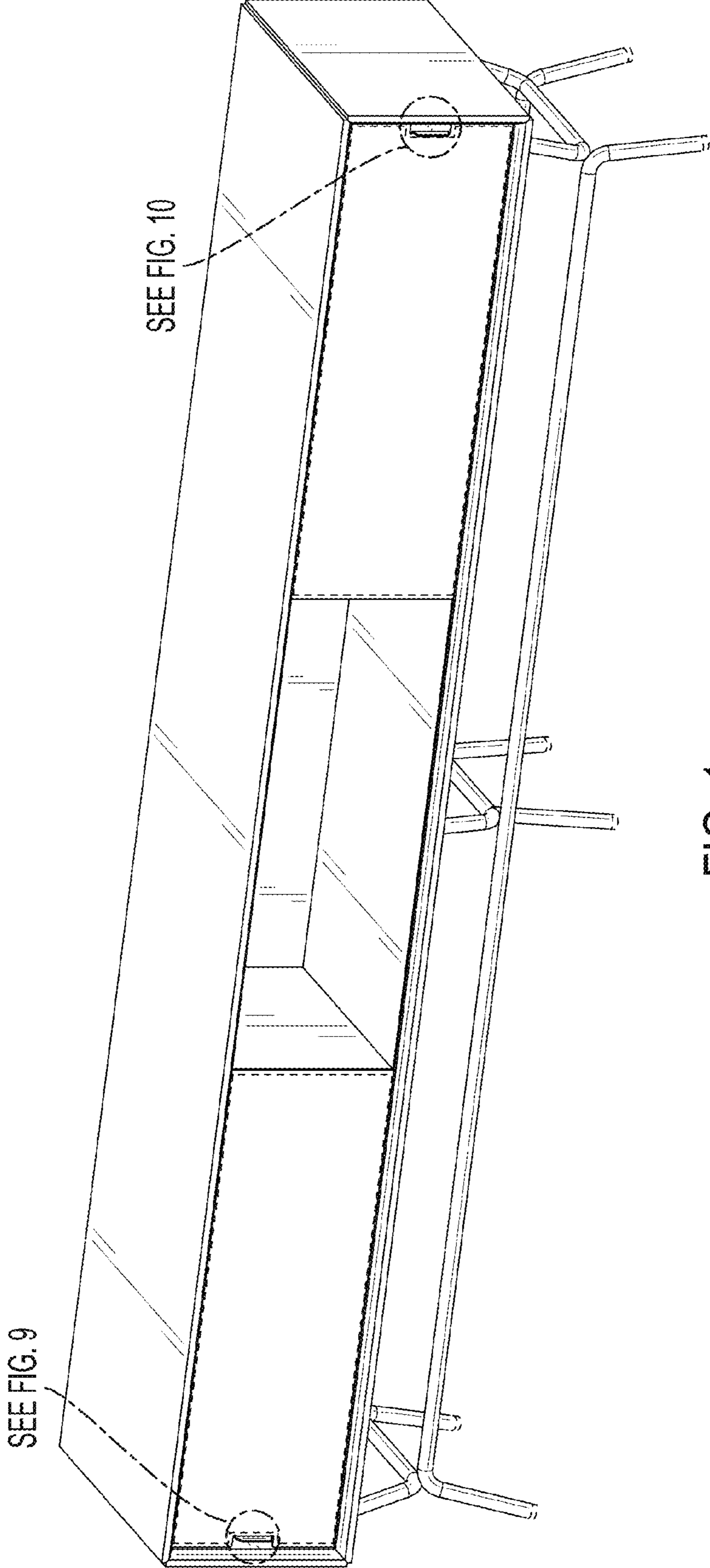


FIG. 1

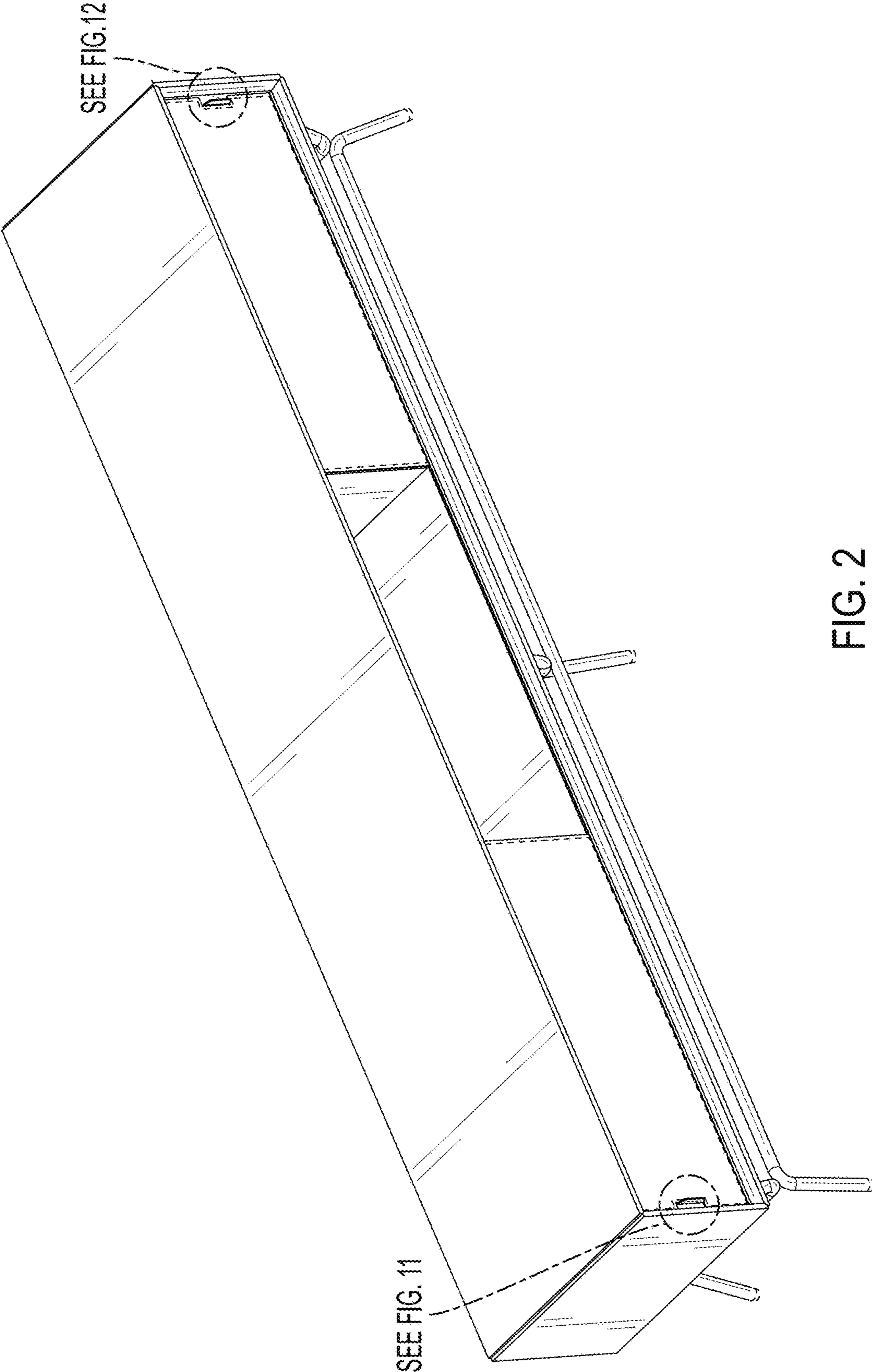


FIG. 2

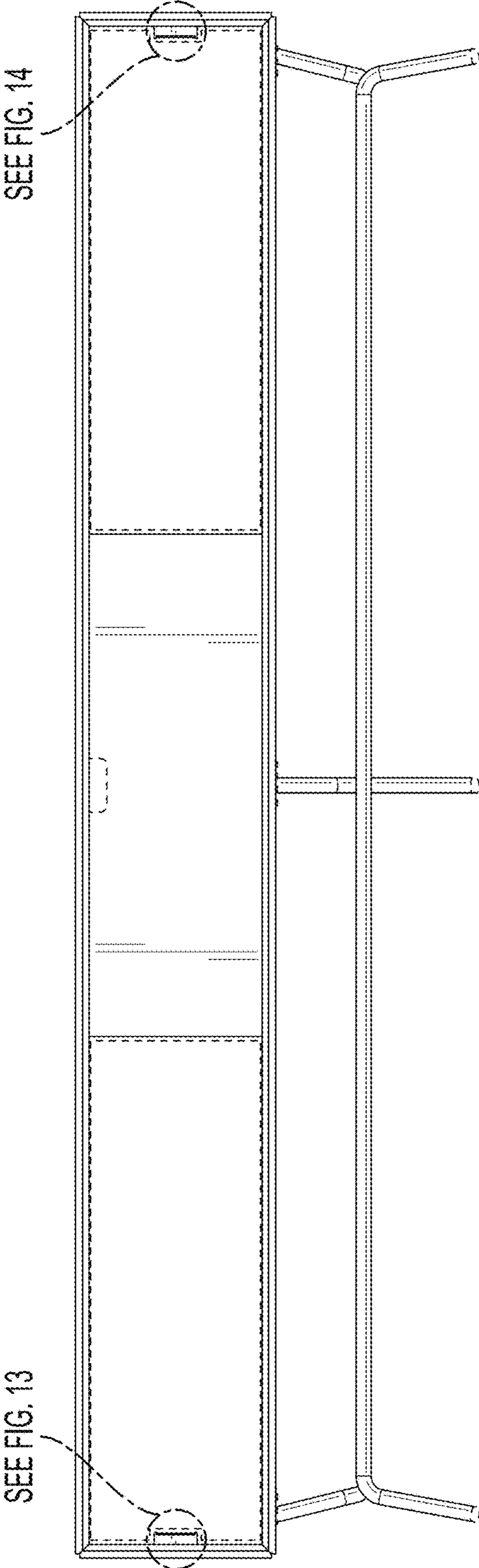


FIG. 3

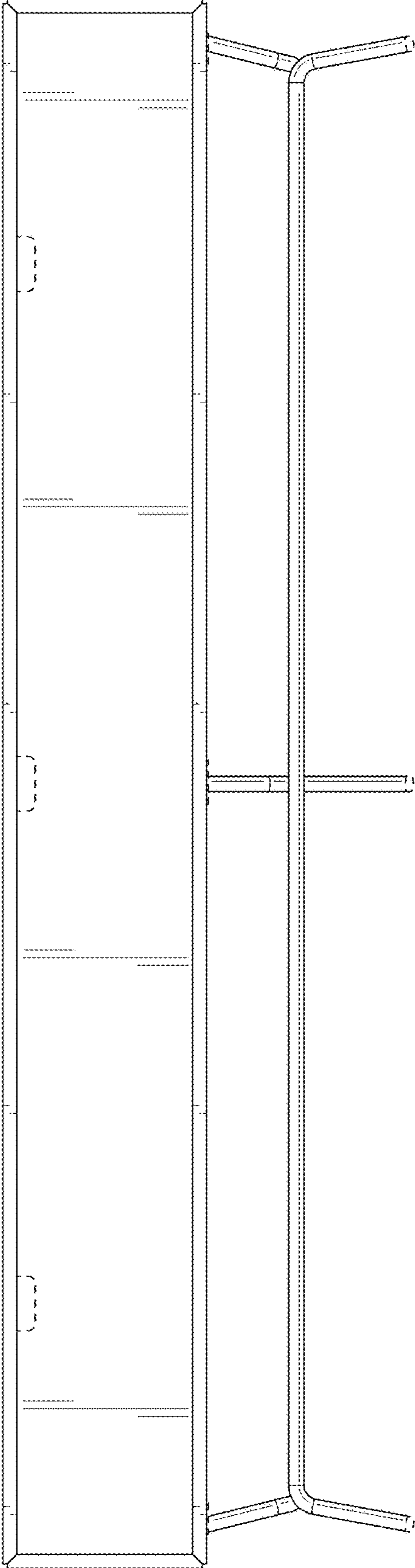


FIG. 4

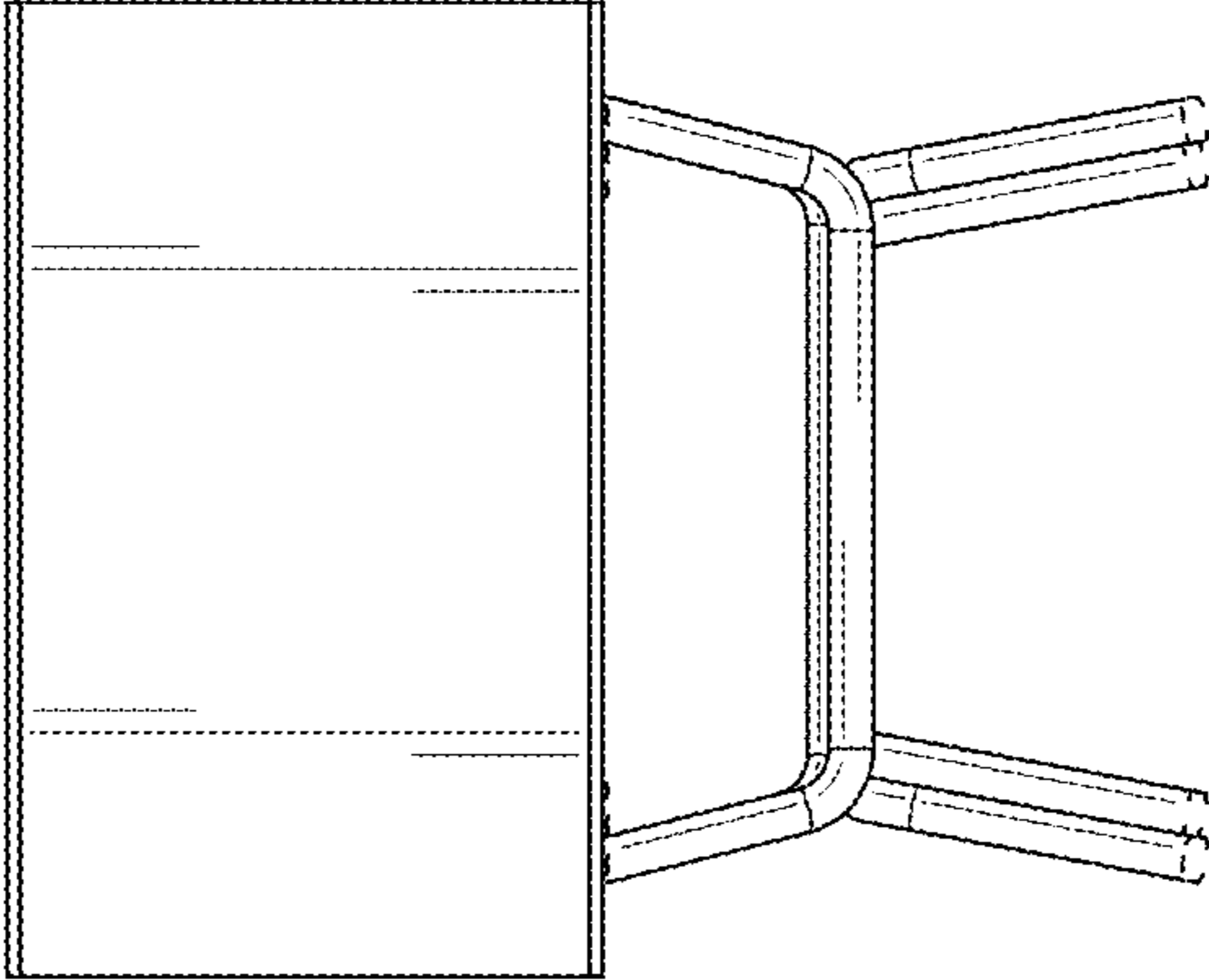


FIG. 6

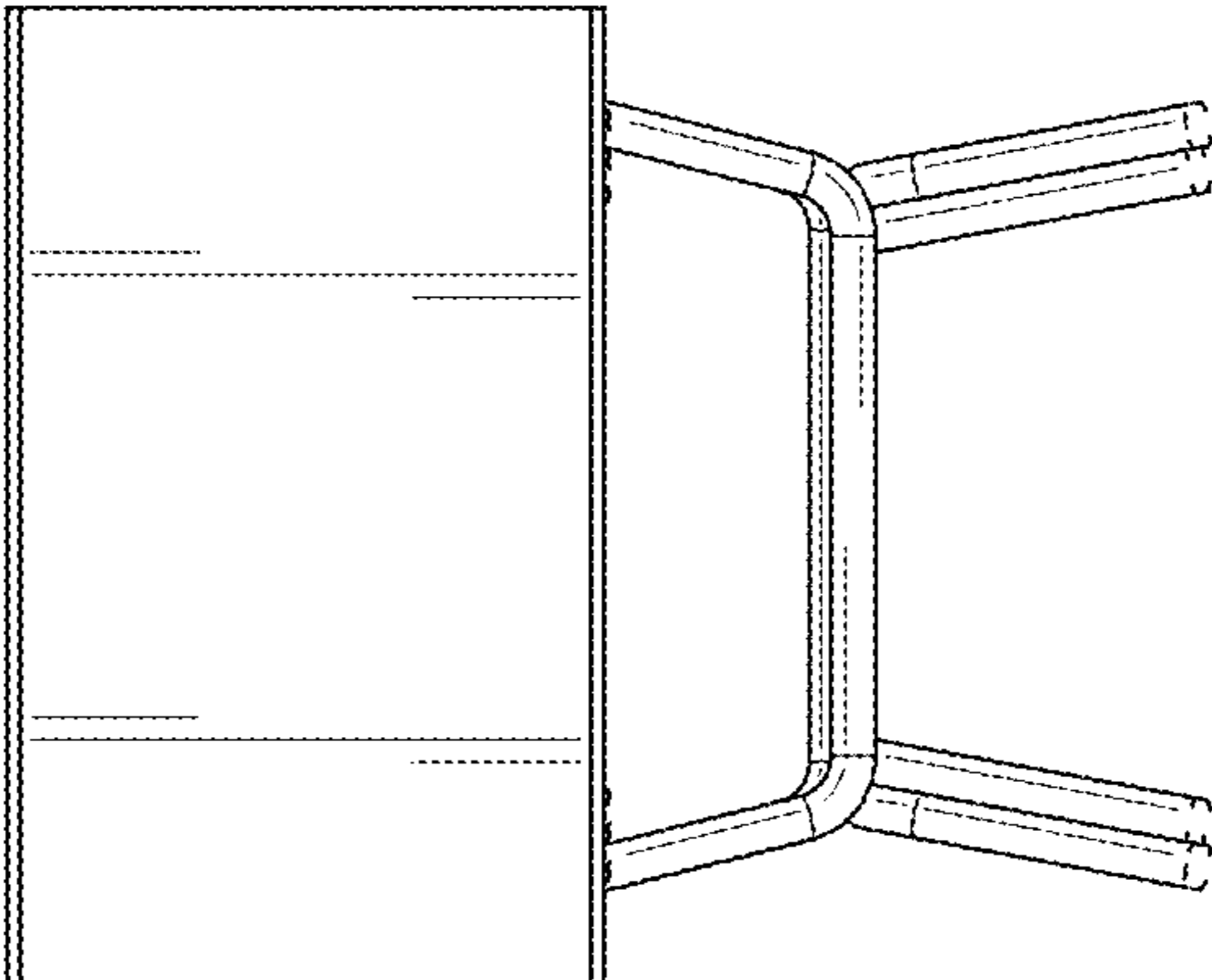


FIG. 5

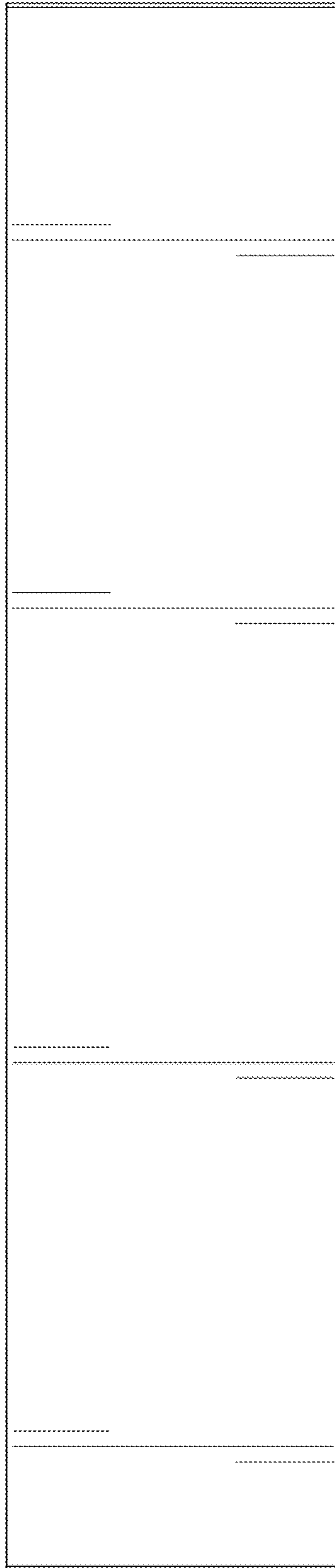


FIG. 7

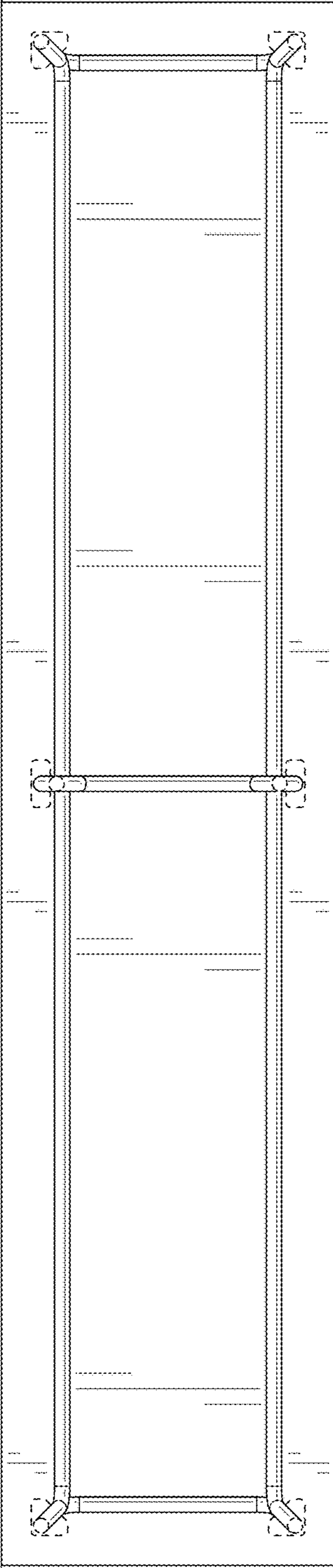


FIG. 8

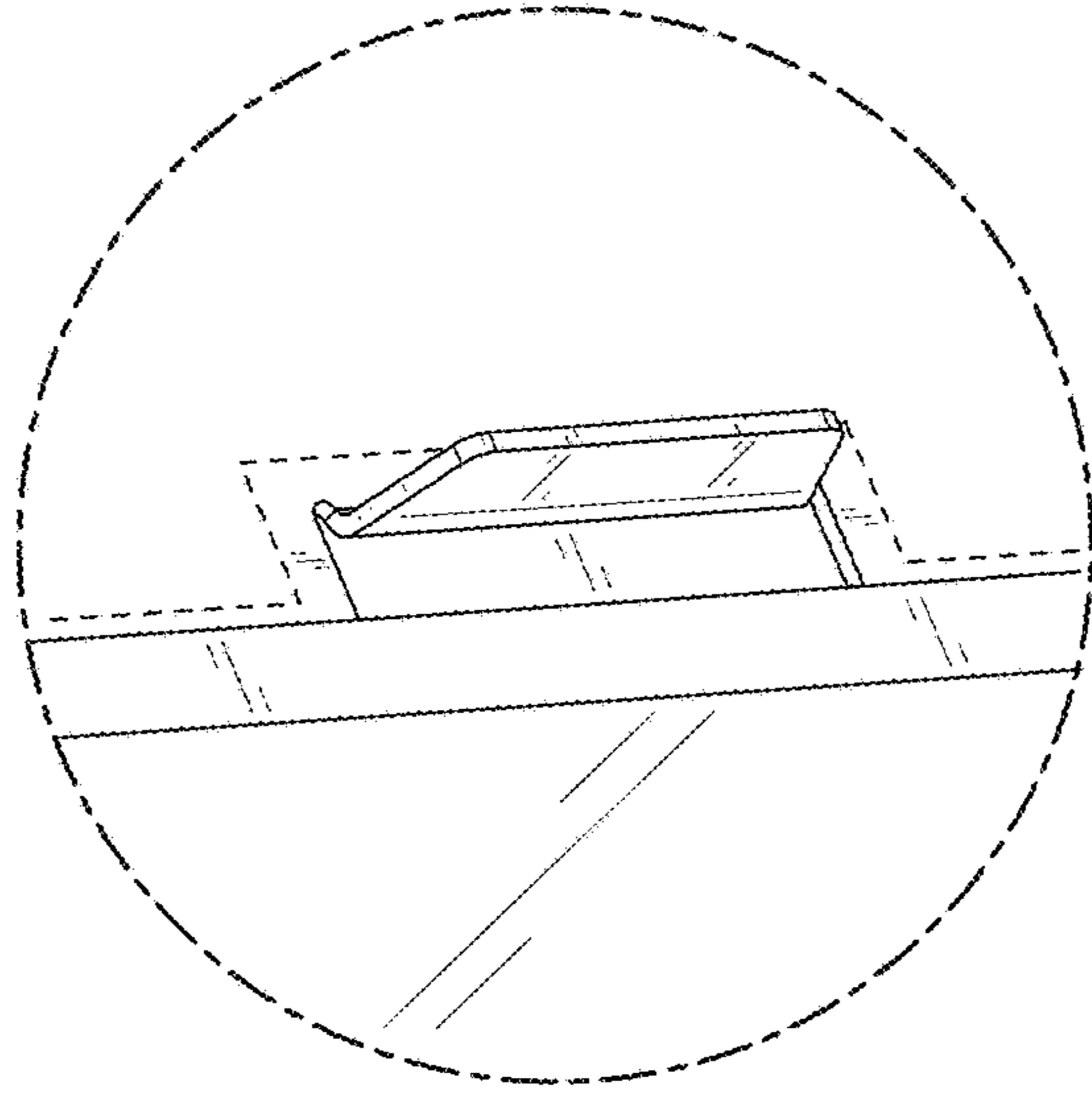


FIG. 9

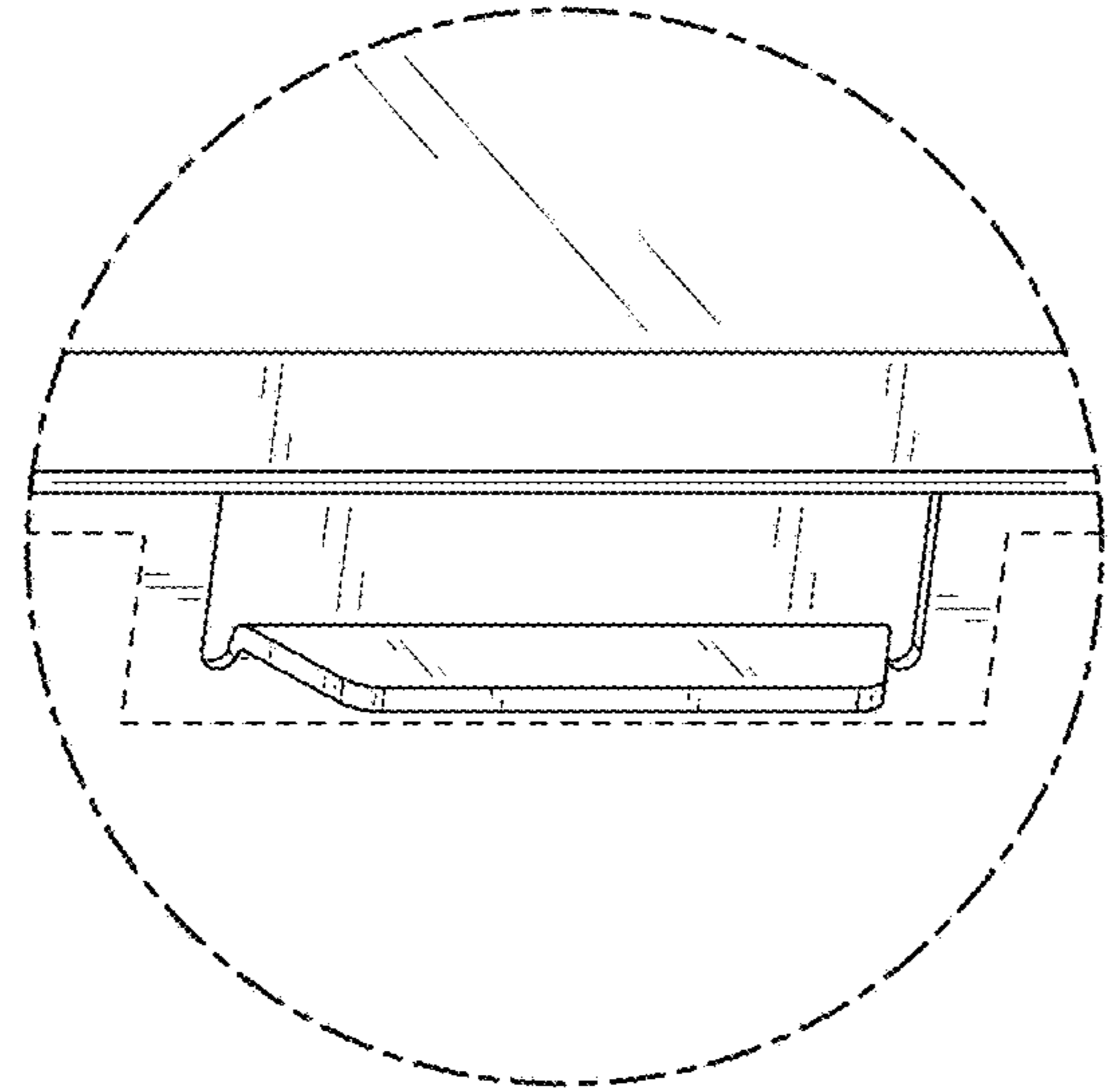


FIG. 10

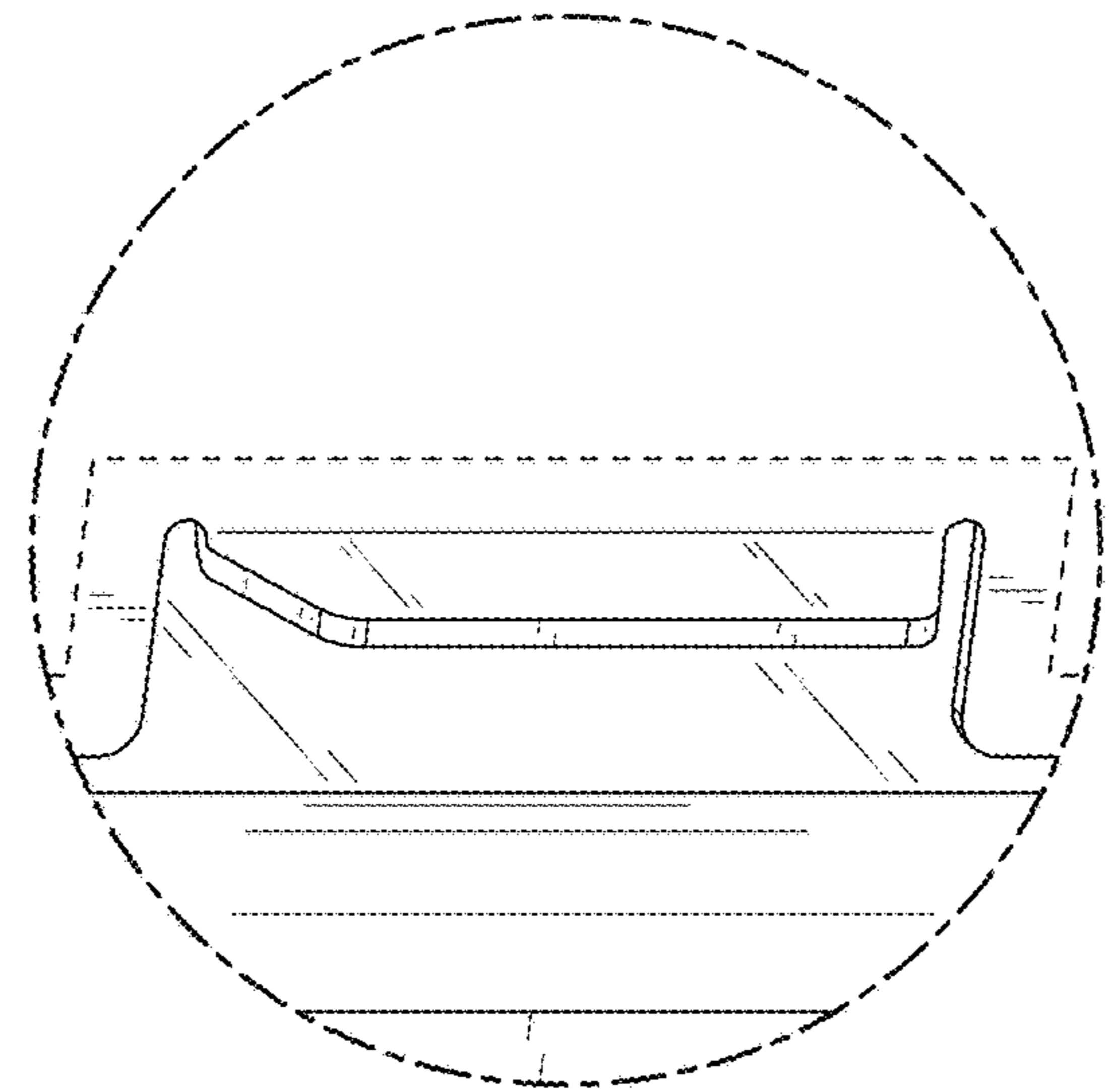


FIG. 11

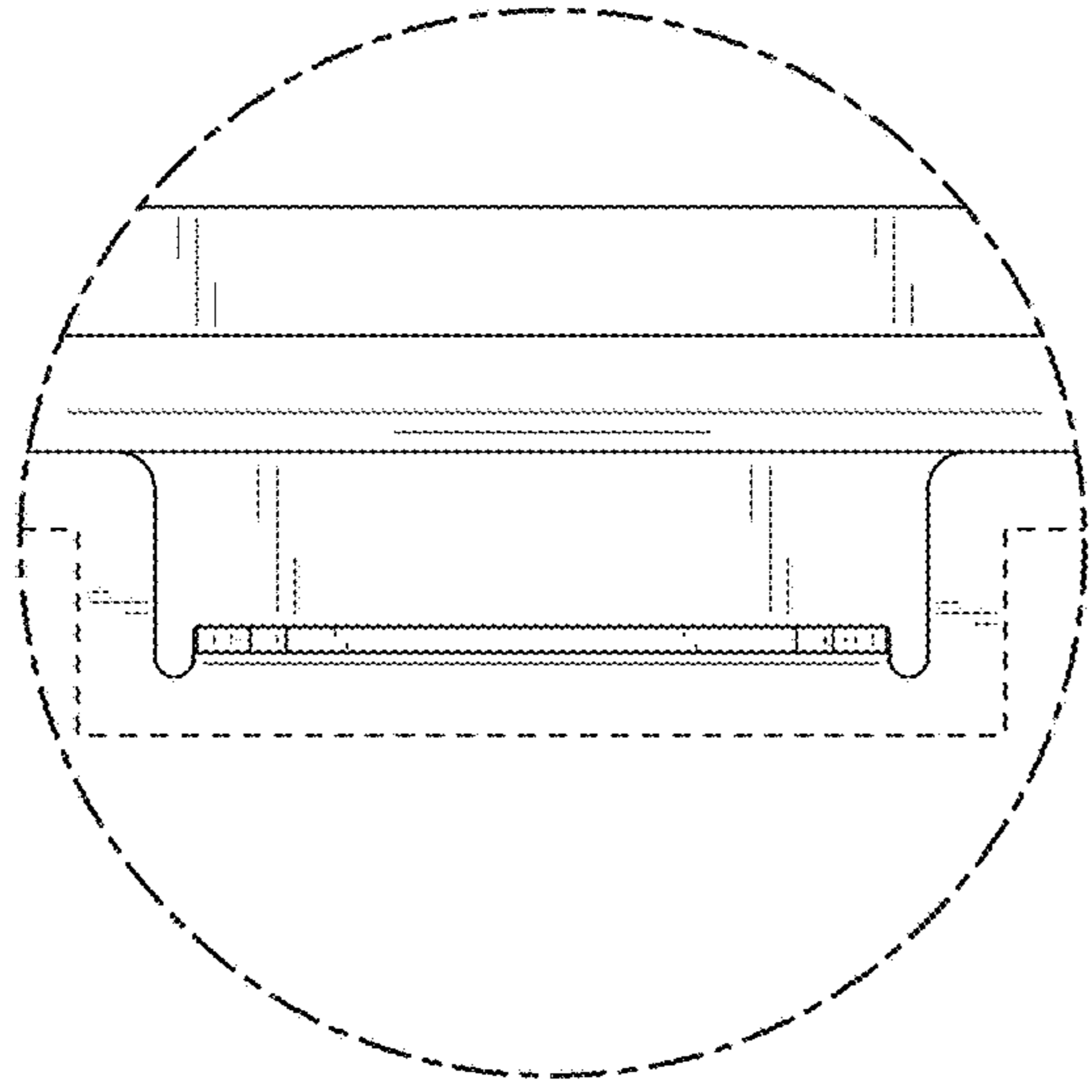


FIG. 14

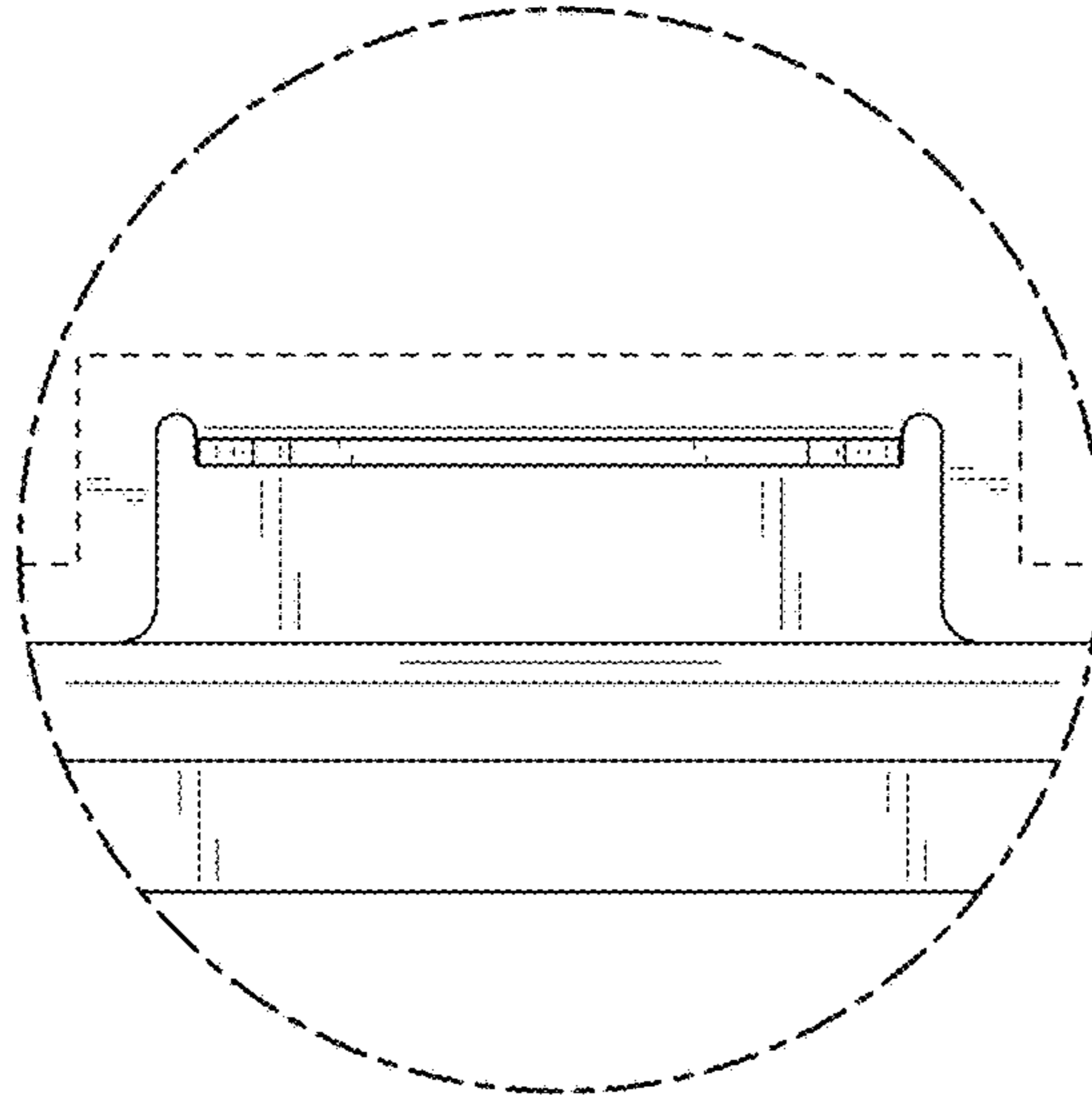


FIG. 13

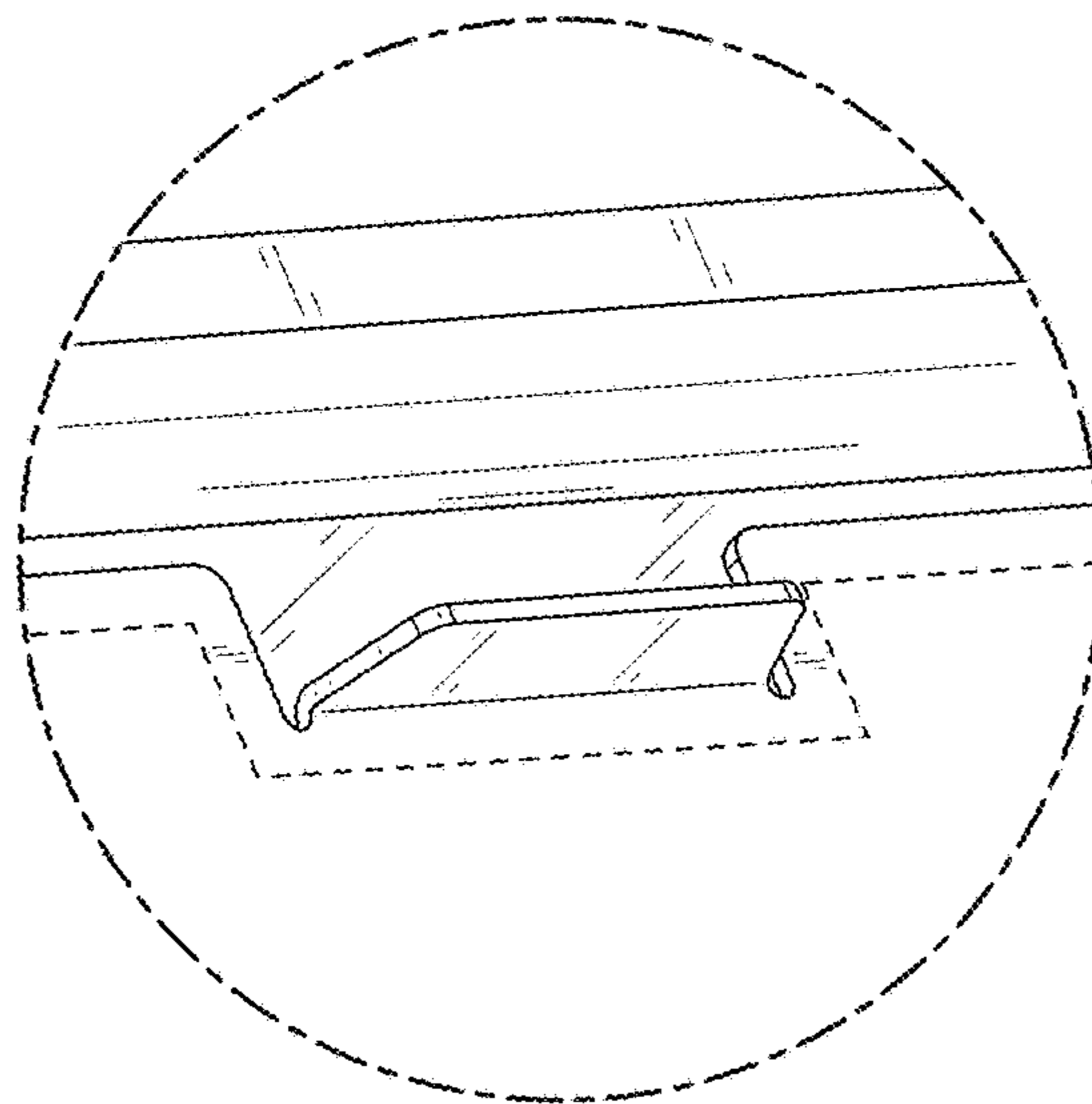


FIG. 12