



US00D848764S

(12) **United States Design Patent** (10) **Patent No.:** **US D848,764 S**
Wilson (45) **Date of Patent:** **** May 21, 2019**

(54) **THREE PILLOW SET**
(71) Applicant: **Derrick Wilson**, Winston Salem, NC (US)
(72) Inventor: **Derrick Wilson**, Winston Salem, NC (US)
(**) Term: **15 Years**
(21) Appl. No.: **29/620,270**
(22) Filed: **Nov. 18, 2016**
(51) **LOC (11) Cl.** **06-09**
(52) **U.S. Cl.**
USPC **D6/601**
(58) **Field of Classification Search**
USPC D6/333, 349, 355, 375, 388, 512, 563, D6/564, 595, 596, 601, 604, 611, 707, D6/715, 716, 716.1; D24/183-185, 234; D21/803, 804, 805, 809; 5/401, 420, 5/600, 630, 631, 632, 633, 635, 636, 638, 5/639, 646, 652, 652.1, 655, 703, 730; 297/401, 420, 600, 630, 631, 632, 633, 297/635, 636, 638, 639, 646, 652, 652.1, 297/655, 703, 730
CPC .. A47G 9/1018; A47G 9/1009; A47G 9/1027; A47G 9/1045; A47G 9/1063; A47G 9/1072; A47G 9/1081
See application file for complete search history.

D448,228 S * 9/2001 Davis D6/601
6,795,990 B1 * 9/2004 Hutchinson A47C 20/021 5/490
D528,707 S * 9/2006 Deioma D30/118
D541,366 S * 4/2007 Rominger D21/803
D566,448 S * 4/2008 Ridder D24/183
D652,239 S * 1/2012 Governale D6/601
D653,489 S * 2/2012 Perry A47C 20/027 D6/601
D655,964 S * 3/2012 Dror D6/601
D675,855 S * 2/2013 Reeves D6/601
D724,350 S * 3/2015 Lee D6/601
D746,079 S * 12/2015 Boyette-Kirtley D6/601
D747,614 S * 1/2016 Meenan D6/601
(Continued)

OTHER PUBLICATIONS

Pillow Core by Derrick Wilson, YouTube Video dated Aug. 10, 2016, [online], [site visited Aug. 27, 2018]. Available from Internet, <URL: <https://www.youtube.com/watch?v=pM3VTHpZUrg&feature=youtu.be>> (Year: 2016).*
(Continued)

Primary Examiner — Michelle E. Wilson
Assistant Examiner — Sanjeev Paul

(57) **CLAIM**

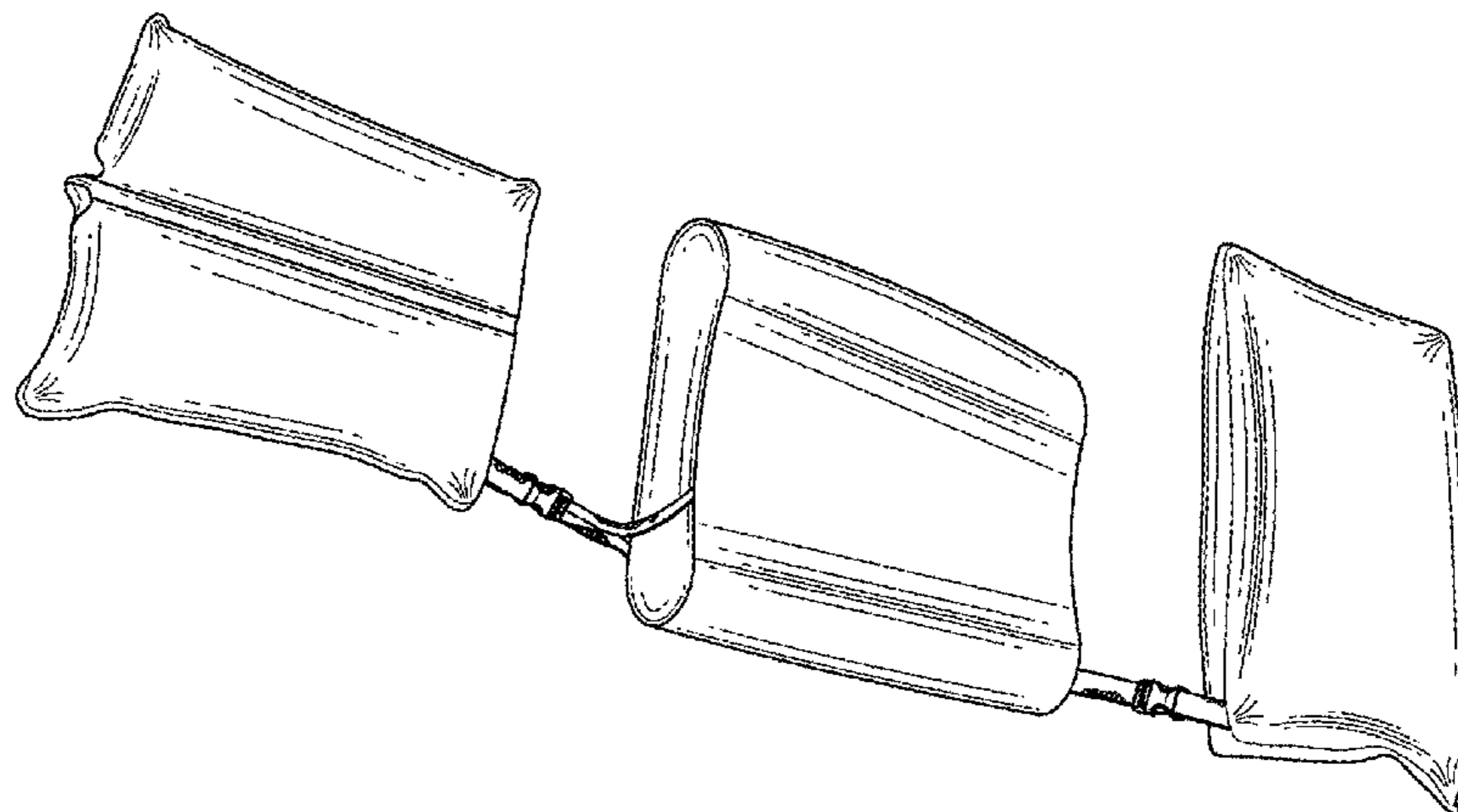
The ornamental design for a three pillow set, as shown and described.

DESCRIPTION

FIG. 1 is a perspective view of a portion of the three pillow set;
FIG. 2 is another perspective view of a portion thereof;
FIG. 3 is yet another perspective view of a portion thereof;
FIG. 4 is a top view of the three pillow set;
FIG. 5 is a bottom view thereof; and,
FIG. 6 is a perspective view of the three pillow set in a full configuration.

1 Claim, 6 Drawing Sheets

(56) **References Cited**
U.S. PATENT DOCUMENTS
1,385,355 A * 7/1921 Banks A47G 9/109 5/636
D318,392 S * 7/1991 Edelson D6/596
D392,492 S * 3/1998 Loud D6/601
D393,563 S * 4/1998 Loud D6/601
D424,358 S * 5/2000 Wang D6/596
D446,984 S * 8/2001 Treon D6/601



(56)

References Cited

U.S. PATENT DOCUMENTS

D752,901 S *	4/2016	Ueno	D6/601
D774,801 S *	12/2016	Clark	D6/596
D779,856 S *	2/2017	Rich	D6/601
D781,429 S *	3/2017	Westdyk	D24/183
D792,722 S *	7/2017	Vargas	D6/601
D808,686 S *	1/2018	May	D6/601
2005/0138733 A1 *	6/2005	Riesberg	A47G 9/10 5/640
2012/0222218 A1 *	9/2012	Davis	A47G 9/10 5/490

OTHER PUBLICATIONS

The Three Pillow system. Published on Jun. 4, 2017 on: Luxury Street Music, [online], [site visited Aug. 27, 2018]. Available from Internet , <URL: <https://web.archive.org/web/20170604123513/http://www.luxurystreetmusic.com/the-three-pillow-system-the-secret-to-a-good-nights-sleep/>> (Year: 2017).*

* cited by examiner

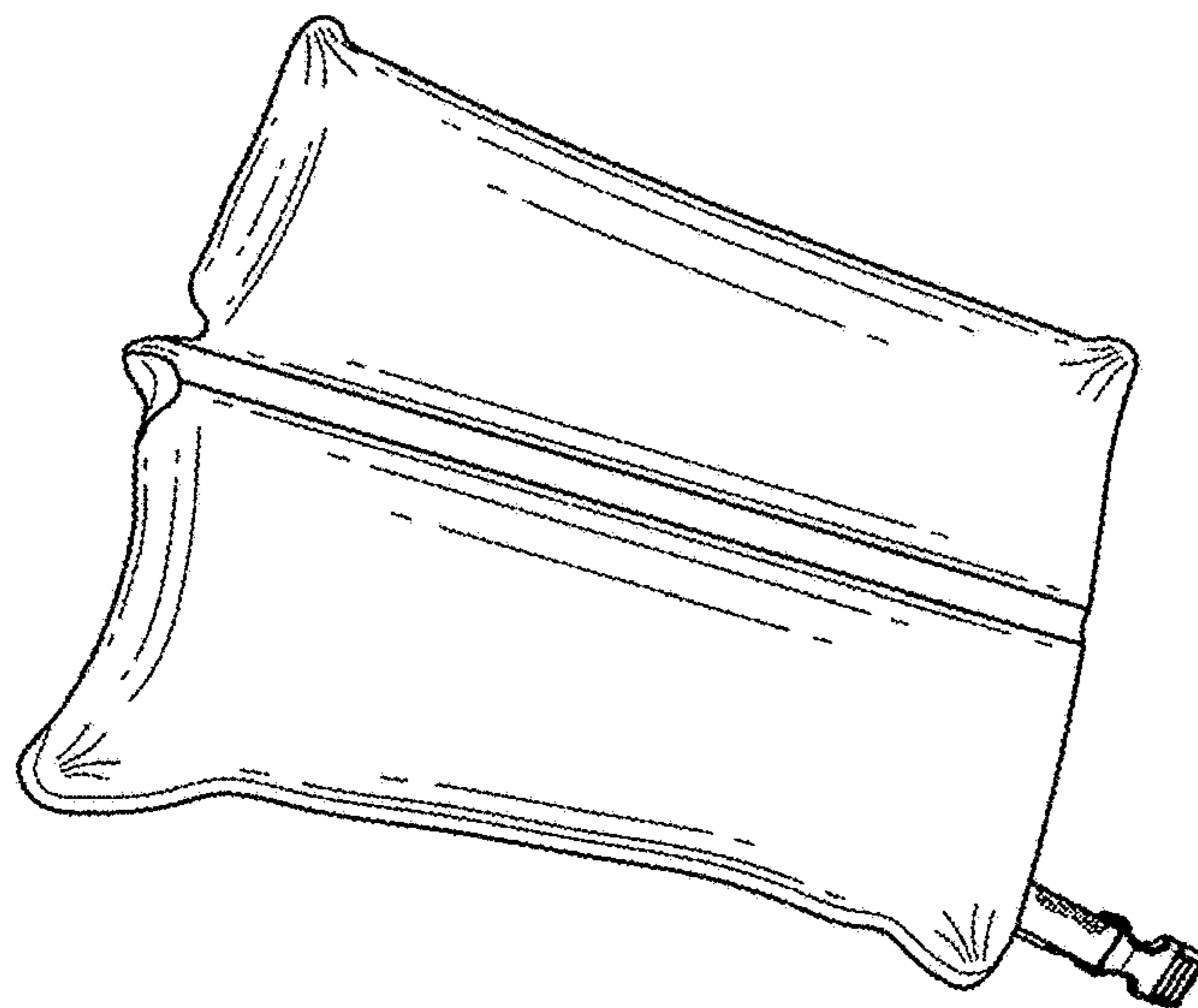


FIG. 1

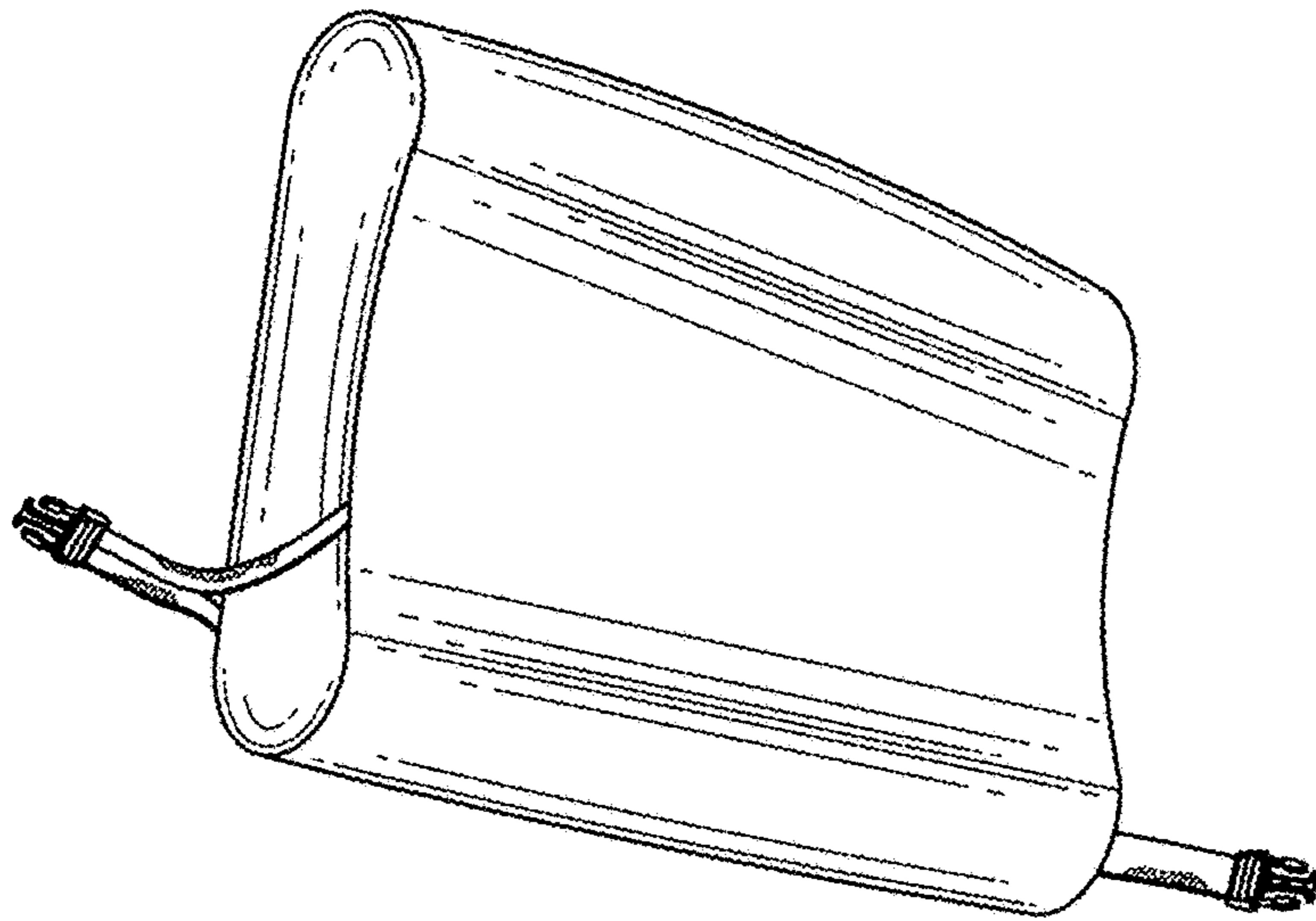


FIG. 2

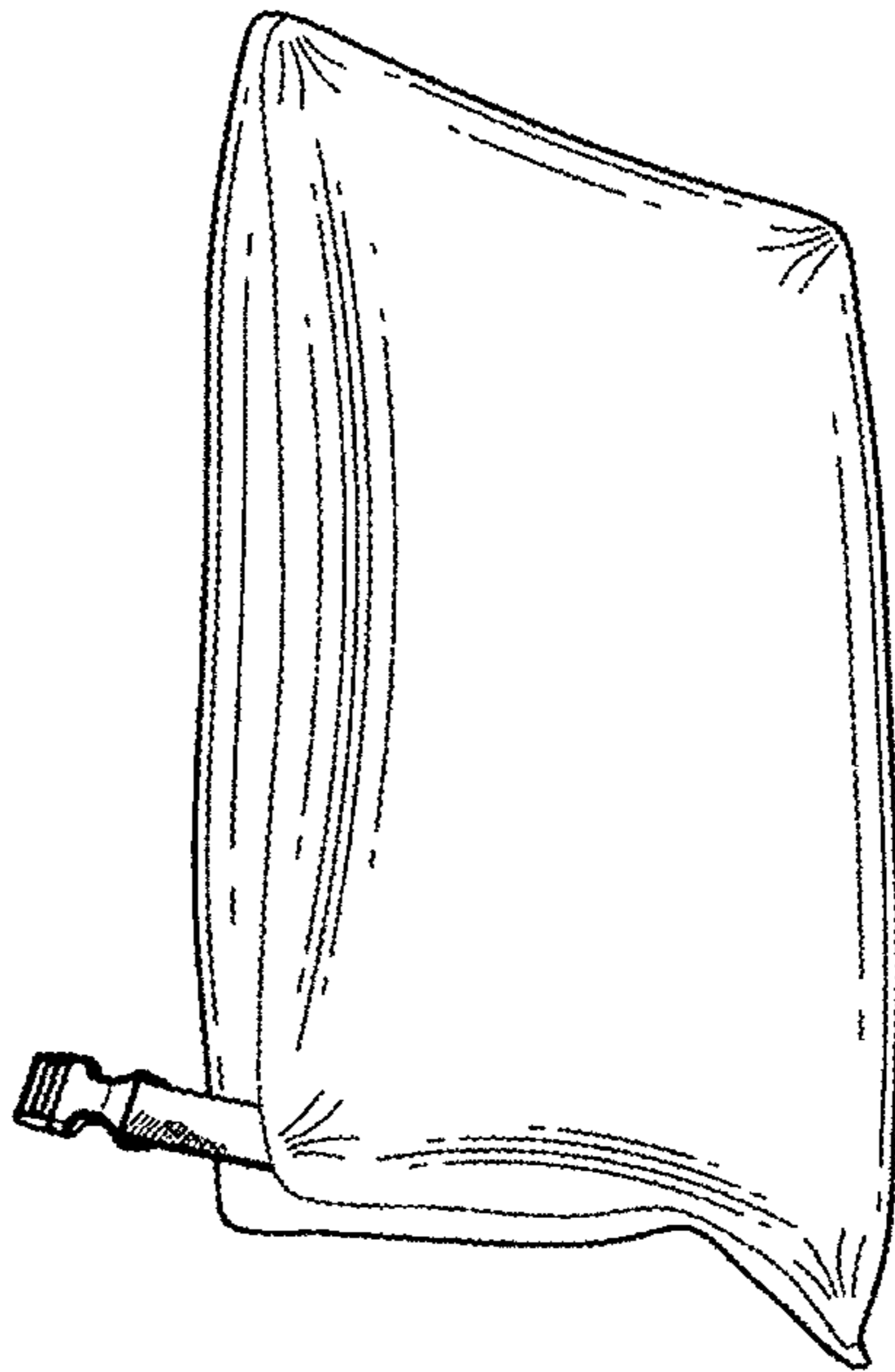


FIG. 3

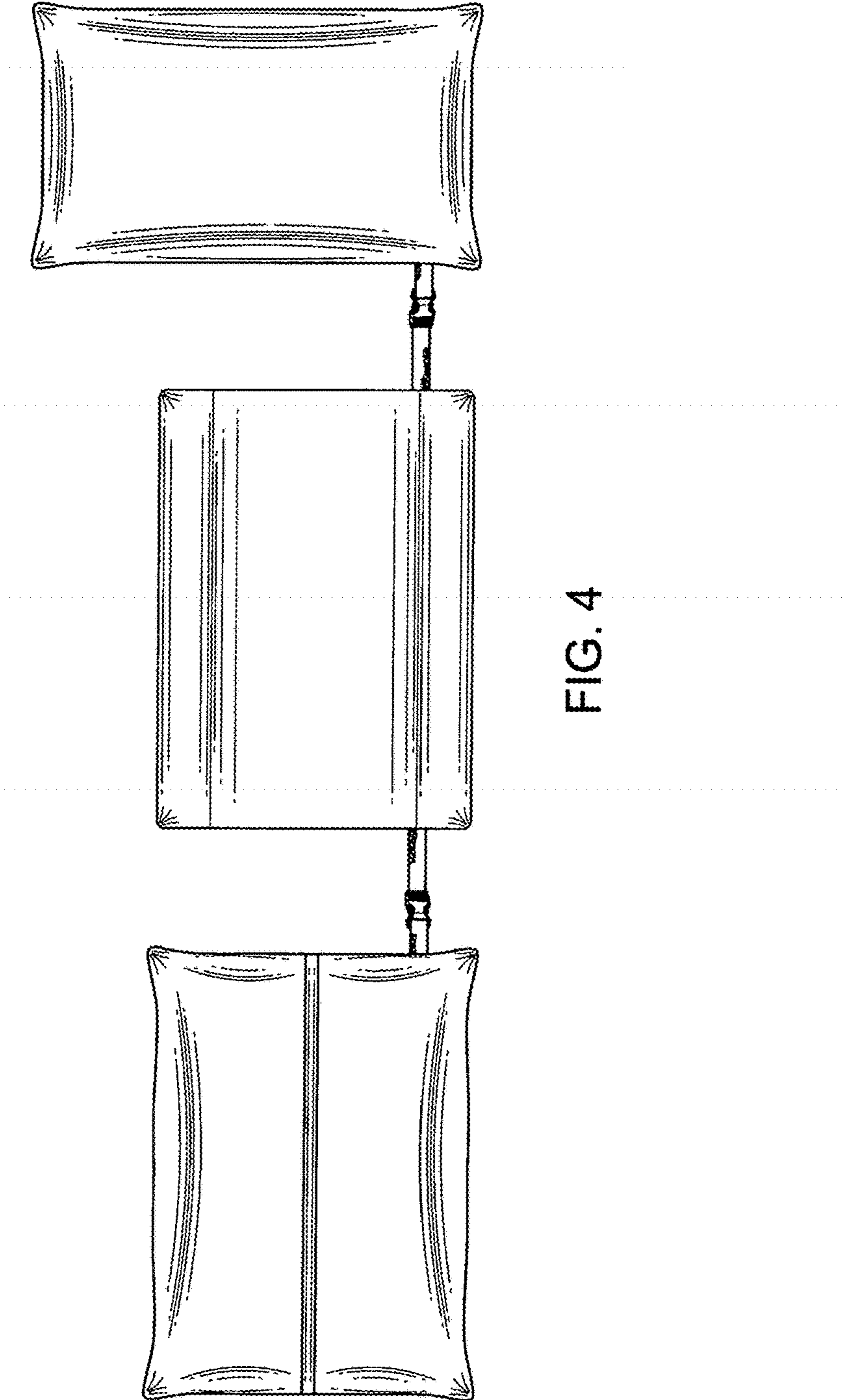


FIG. 4

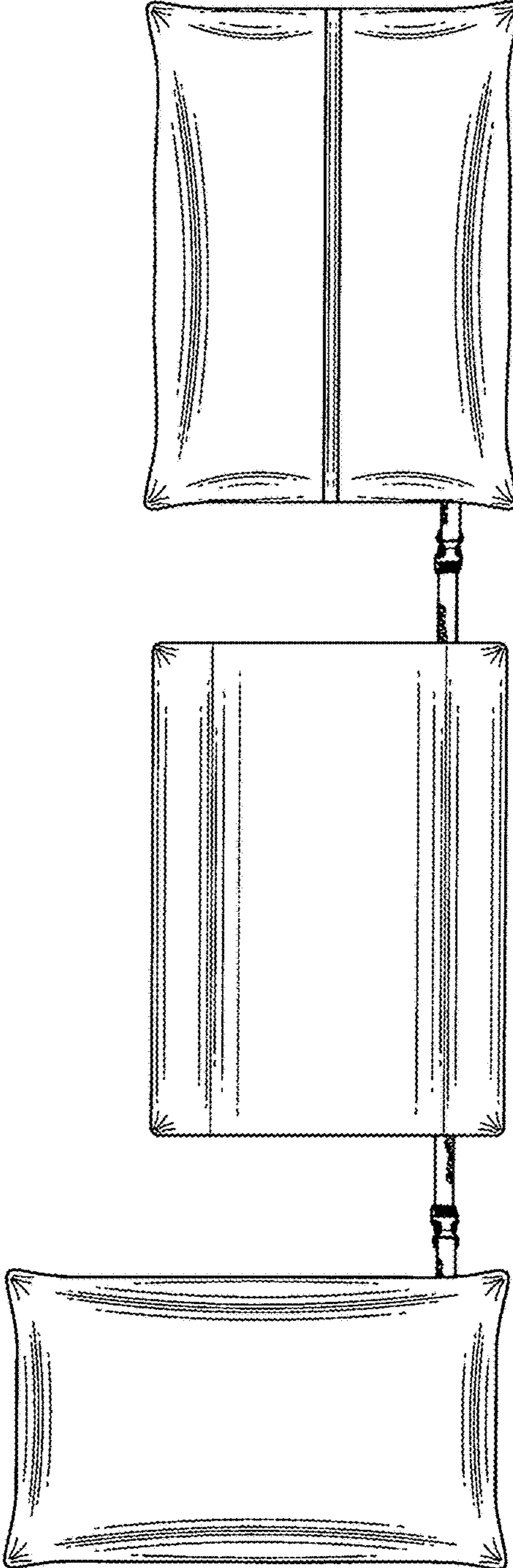


FIG. 5

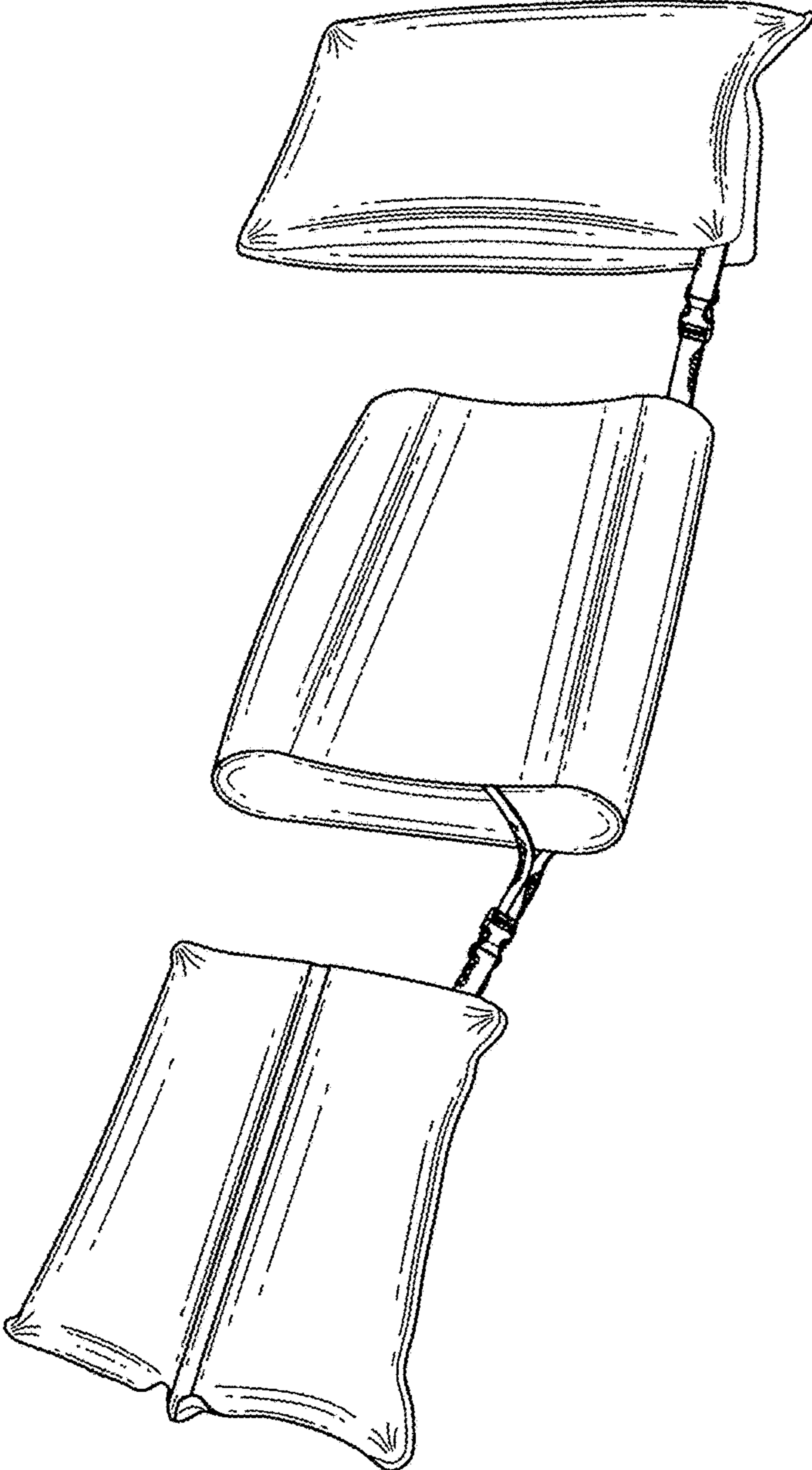


FIG. 6