

US00D848759S

(12) **United States Design Patent**
Kim et al.

(10) **Patent No.:** **US D848,759 S**
(45) **Date of Patent:** **** May 21, 2019**

(54) **SHELF FOR TELEVISION RECEIVER**

(71) Applicant: **LG ELECTRONICS INC.**, Seoul (KR)

(72) Inventors: **Younsoo Kim**, Seoul (KR); **Yooseok Kim**, Seoul (KR); **Hyojin Won**, Seoul (KR); **Byunglok Jeon**, Seoul (KR)

(73) Assignee: **LG ELECTRONICS INC.**, Seoul (KR)

(**) Term: **15 Years**

(21) Appl. No.: **35/503,983**

(22) Filed: **May 16, 2017**

(80) **Hague Agreement Data**

Int. Filing Date: **May 16, 2017**
Int. Reg. No.: **DM/096184**
Int. Reg. Date: **May 16, 2017**
Int. Reg. Pub. Date: **Nov. 17, 2017**

(30) **Foreign Application Priority Data**

Apr. 24, 2017 (KR) 30-2017-0018866

(51) **LOC (11) Cl.** **06-04**

(52) **U.S. Cl.**
USPC **D6/553**

(58) **Field of Classification Search**
USPC D6/553, 567, 572, 574, 702, 705
CPC A47B 5/00; A47B 47/00; A47B 47/0066;
A47B 457/00; A47B 469/061; A47B
497/00; A47F 5/00; A47F 5/0043
See application file for complete search history.

(56) **References Cited**

U.S. PATENT DOCUMENTS

D213,114 S * 1/1969 Rzetelny D6/572
3,574,980 A * 4/1971 Keller A47B 57/46
108/108

3,652,048 A * 3/1972 Hartman A47B 57/565
108/108
3,675,882 A * 7/1972 Dibble A47B 96/061
108/152
4,537,379 A * 8/1985 Rhoades A47B 57/567
248/222.51
D299,604 S * 1/1989 Fayerman D6/572
D433,860 S * 11/2000 Suzuki D6/555
D509,088 S * 9/2005 Hoernig D6/574
D519,769 S * 5/2006 Hoernig A47B 57/46
D6/574
D520,288 S * 5/2006 Grosfillex D6/574
D546,611 S * 7/2007 Bouroullec D6/574
D604,539 S * 11/2009 Kennedy A47B 57/567
D6/574

(Continued)

Primary Examiner — Mary Ann Calabrese

(74) *Attorney, Agent, or Firm* — Birch, Stewart, Kolasch & Birch, LLP

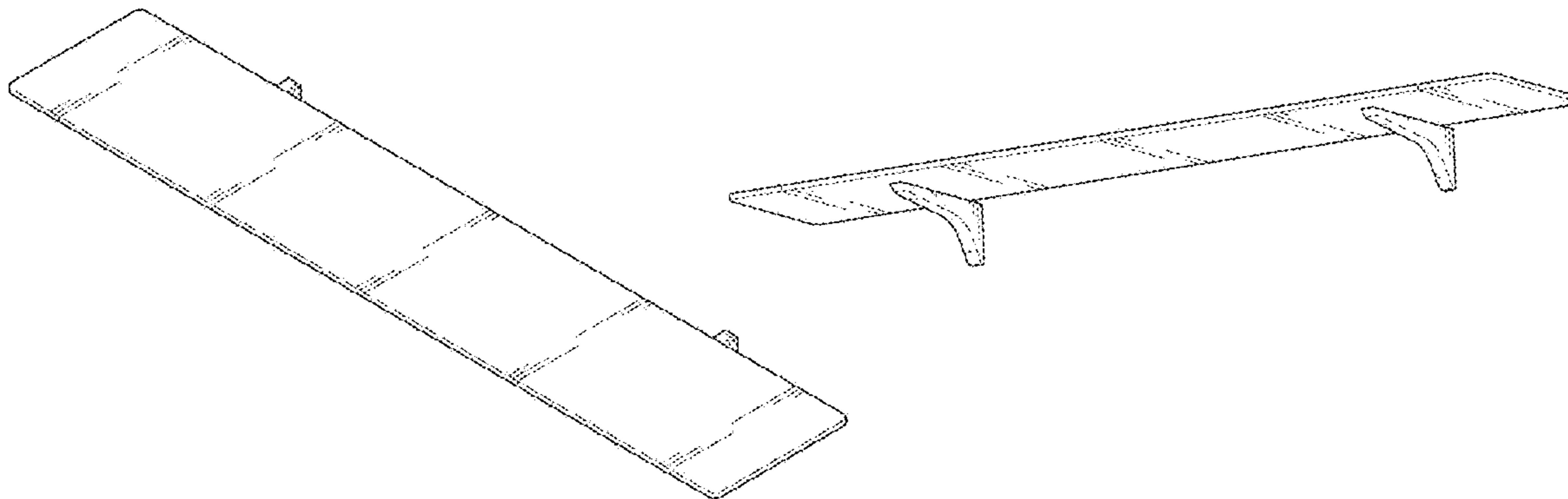
(57) **CLAIM**

The ornamental design for a shelf for television receiver, as shown and described.

DESCRIPTION

1. Shelf for television receiver
1.1 : Perspective
1.2 : Rear perspective
1.3 : Front
1.4 : Back
1.5 : Left
1.6 : Right
1.7 : Top
1.8 : Bottom
1.9 : Perspective, in a state of use with environment
The broken lines shown in figure 1.9 depict environment of the shelf for television receiver that forms no part of the claimed design, the environment including a television on a wall and a sound bar on the shelf for television receiver.

1 Claim, 9 Drawing Sheets



(56)

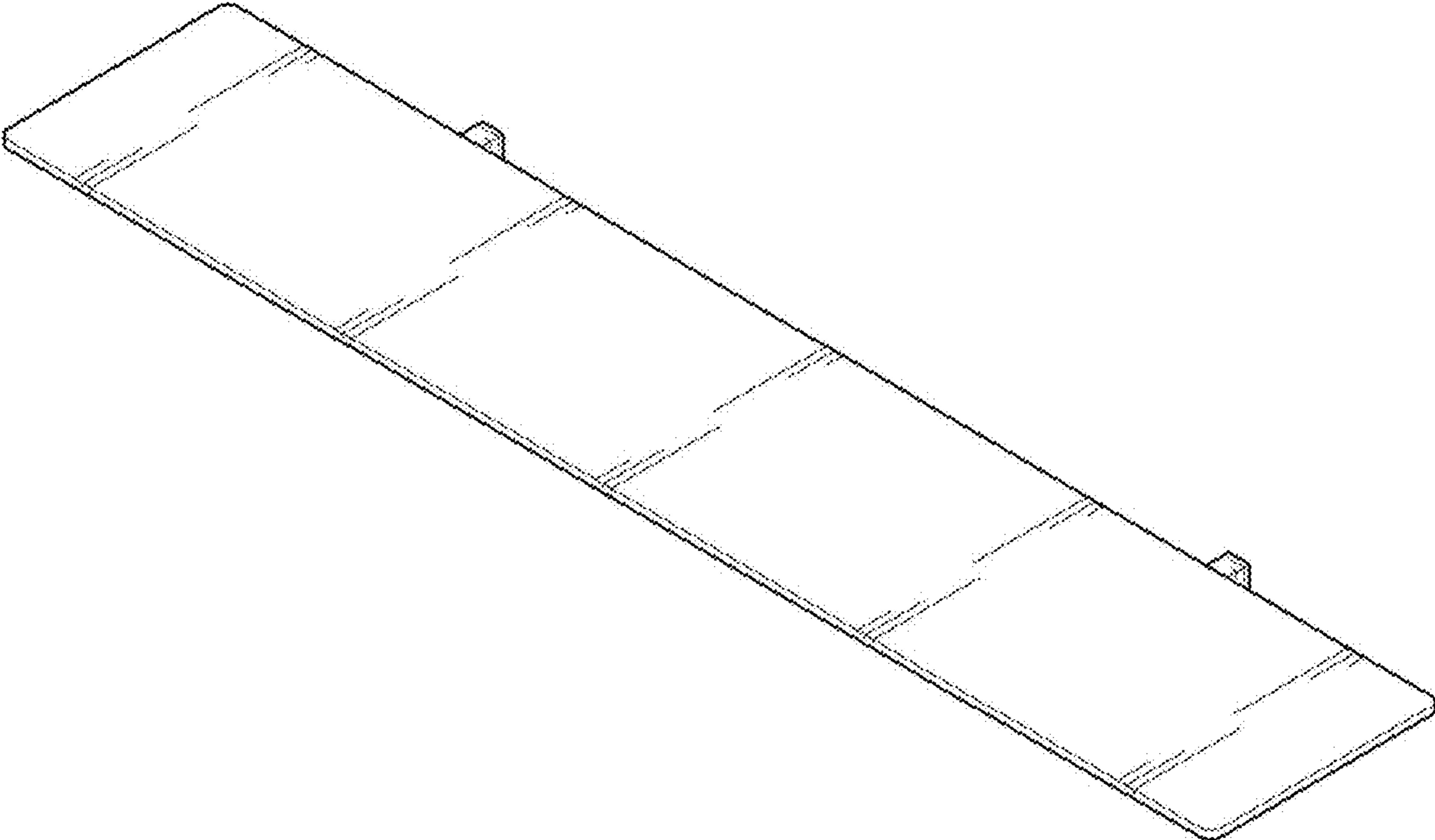
References Cited

U.S. PATENT DOCUMENTS

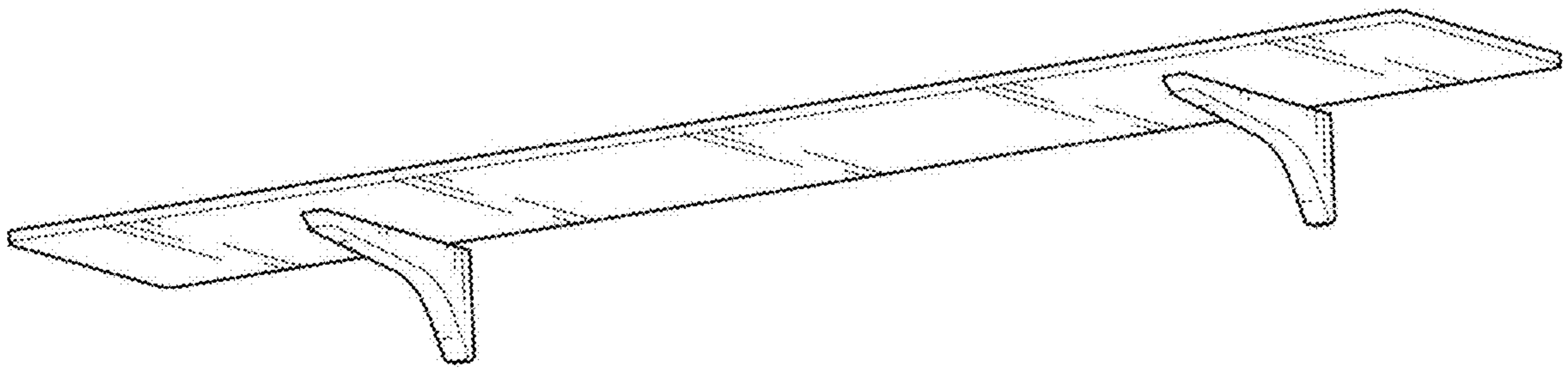
D686,021 S * 7/2013 Gilboe A47B 57/565
D6/574

* cited by examiner

1.1



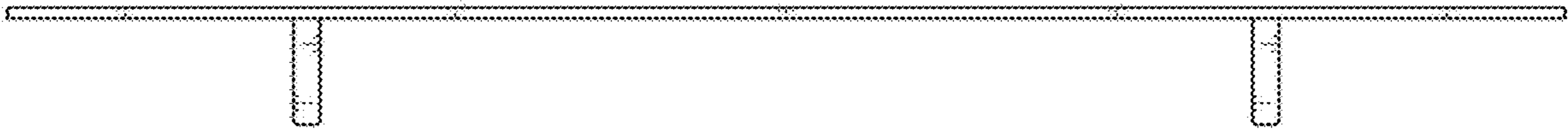
1.2

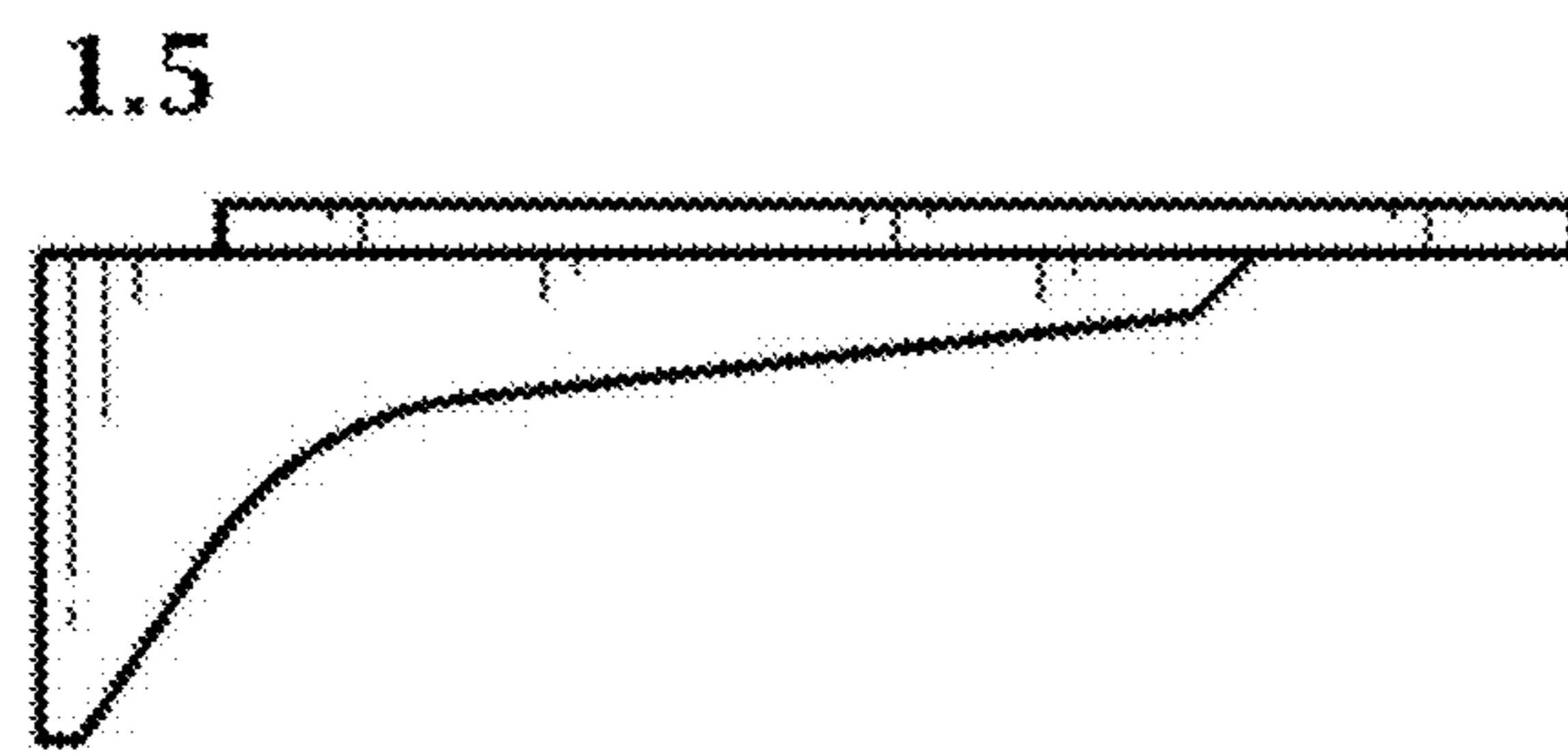


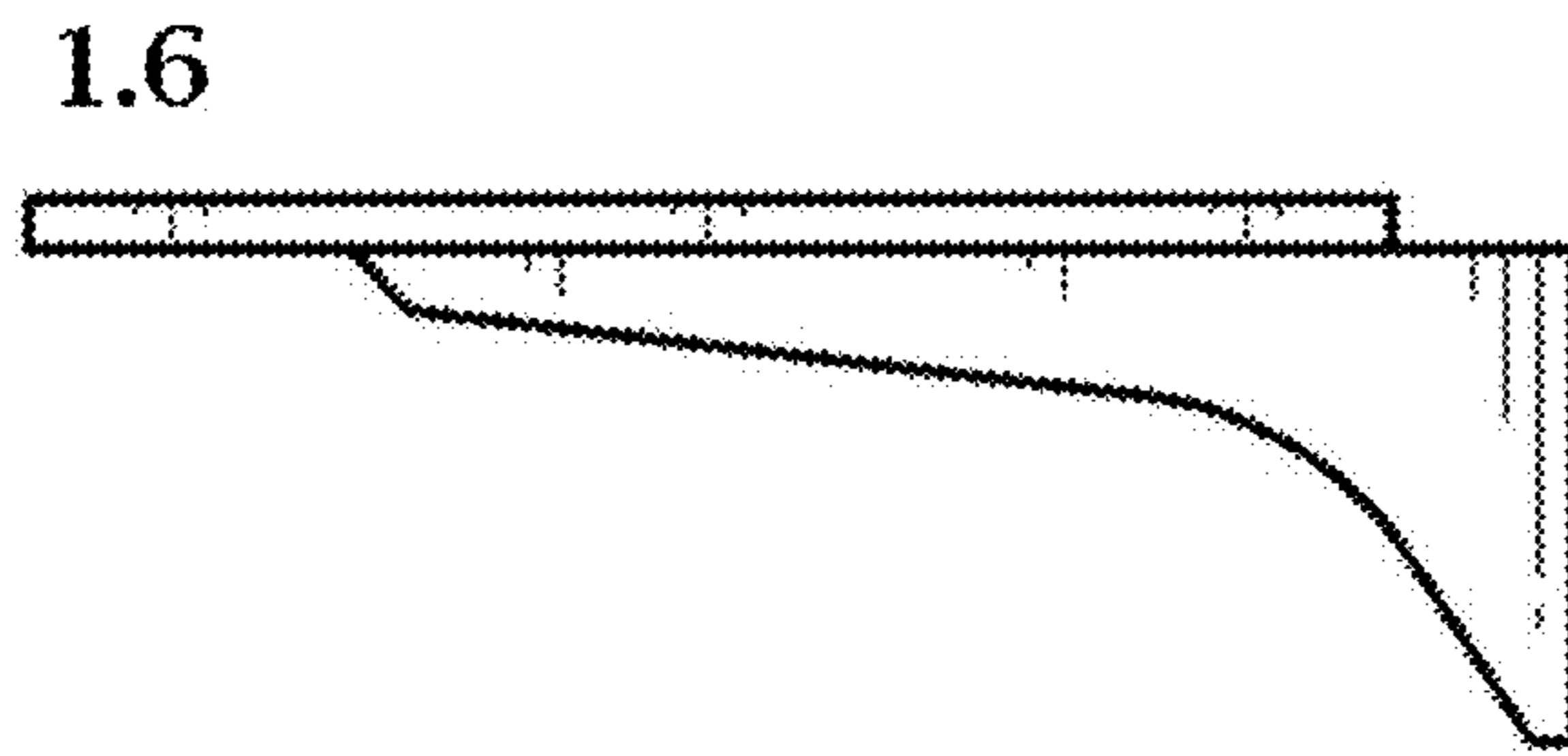
1.3



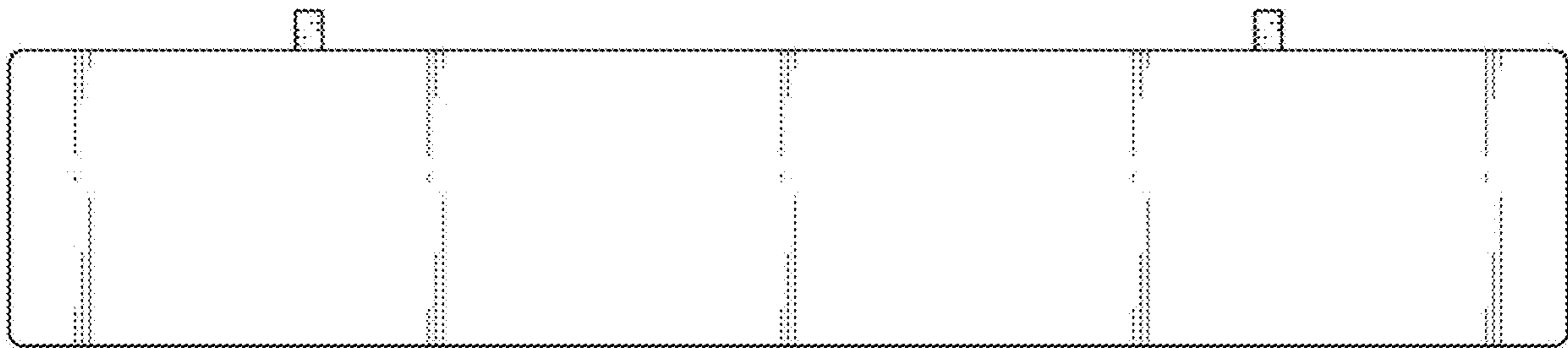
1.4



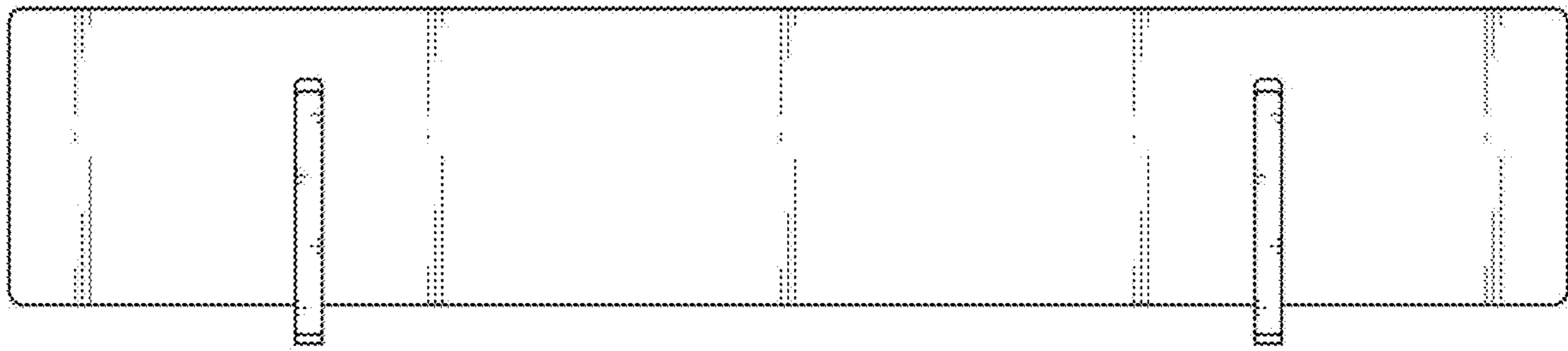




1.7



1.8



1.9

