



US00D848758S

(12) **United States Design Patent**
McIntyre

(10) **Patent No.:** **US D848,758 S**

(45) **Date of Patent:** **** May 21, 2019**

(54) **BEACH CHAIR BAG ATTACHMENT**

(71) Applicant: **Laura McIntyre**, Duxbury, MA (US)

(72) Inventor: **Laura McIntyre**, Duxbury, MA (US)

(**) Term: **15 Years**

(21) Appl. No.: **29/606,413**

(22) Filed: **Jun. 5, 2017**

(51) **LOC (11) Cl.** **06-04**

(52) **U.S. Cl.**
USPC **D6/533**

(58) **Field of Classification Search**
USPC D6/553, 513, 606; D12/133; D3/254,
D3/276, 290, 299, 303, 20, 224, 226, 300,
D3/319; 190/8, 107, 115; 206/191, 223,
206/273, 274, 277, 280, 315.1, 395, 396,
206/407, 570; 220/4.06, 4.09, 4.29;
280/47.26; 297/16.1-17, 188.01-188.21,
297/188.18; 5/503.1; 248/176.1;
361/727, 730, 731; D2/739, 740,
D2/851-859, 860-864
CPC A47C 1/11; A47C 7/62; A47C 7/70; A47D
1/103; A41D 13/046; A41D 13/04; A41D
1/14; A41F 9/025
See application file for complete search history.

(56) **References Cited**

U.S. PATENT DOCUMENTS

D306,520 S * 3/1990 McCarthy D12/133
D313,695 S * 1/1991 Mawhinney D12/422

D498,047 S * 11/2004 Giaquinto D3/226
D639,092 S * 6/2011 Lundy D6/513
D694,518 S * 12/2013 Aissa D3/224
D761,588 S * 7/2016 Cohen D6/553
D768,989 S * 10/2016 Johnson D3/319
2005/0231009 A1 * 10/2005 Hassett B60N 3/103
297/188.06
2012/0138496 A1 * 6/2012 Tonelli A45C 7/0036
206/349

* cited by examiner

Primary Examiner — Wan Laymon

Assistant Examiner — Mark Booker

(74) *Attorney, Agent, or Firm* — Gary E. Lambert; David
J. Connaughton, Jr.; Lambert Shortell & Connaughton

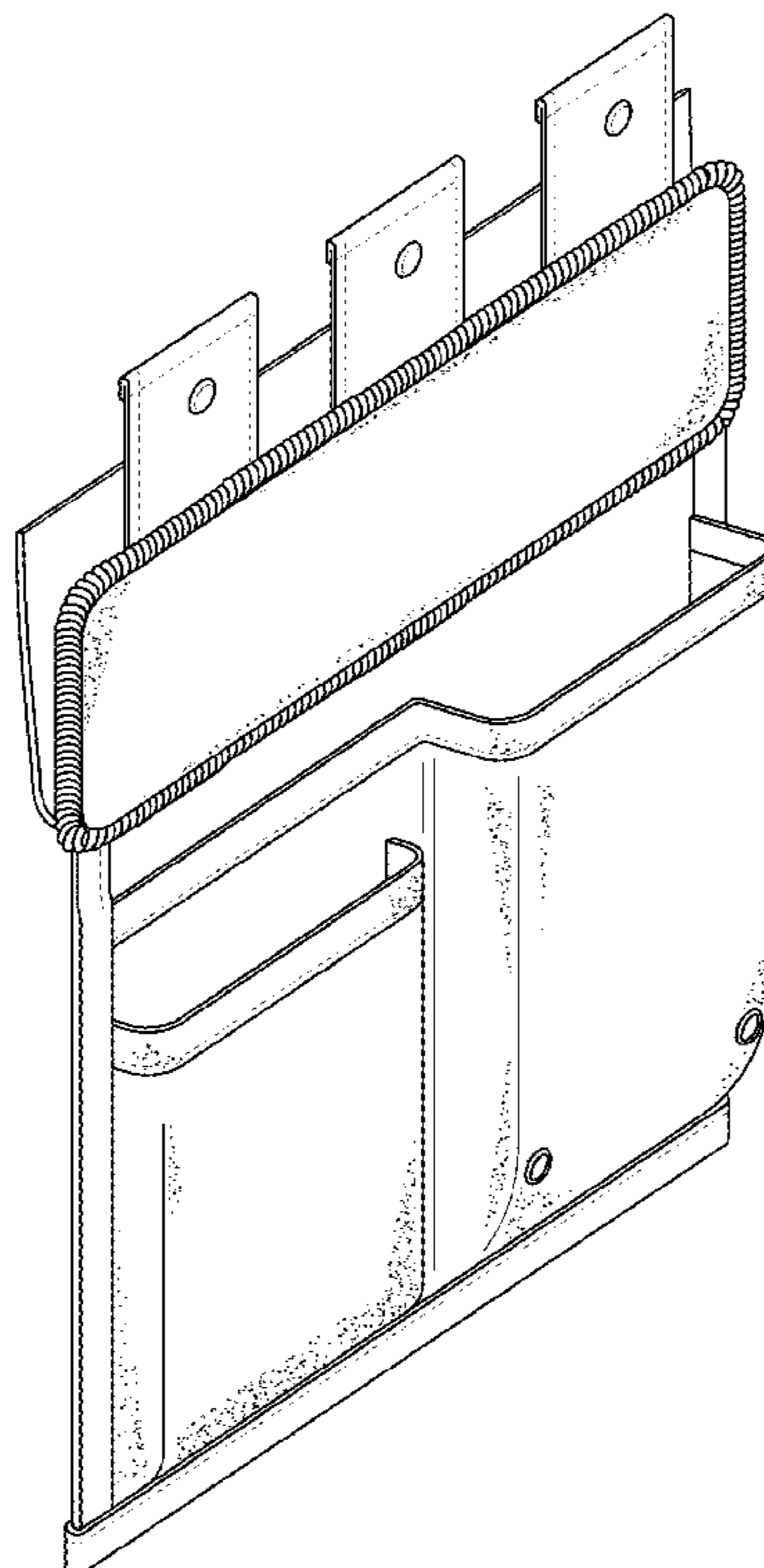
(57) **CLAIM**

The ornamental design for a beach chair bag attachment, as shown and described.

DESCRIPTION

FIG. 1 is an isometric view of the beach chair bag attachment, which embodies my design; FIG. 2 is a front view of the beach chair bag attachment; FIG. 3 is a back view of the beach chair bag attachment; FIG. 4 is a side view of the beach chair bag attachment; FIG. 5 is a side view of the beach chair bag attachment; FIG. 6 is a top view of the beach chair bag attachment; and, FIG. 7 is a bottom view of the beach chair bag attachment. The broken lines shown in the figures represent stitching that form part of the claimed design.

1 Claim, 5 Drawing Sheets



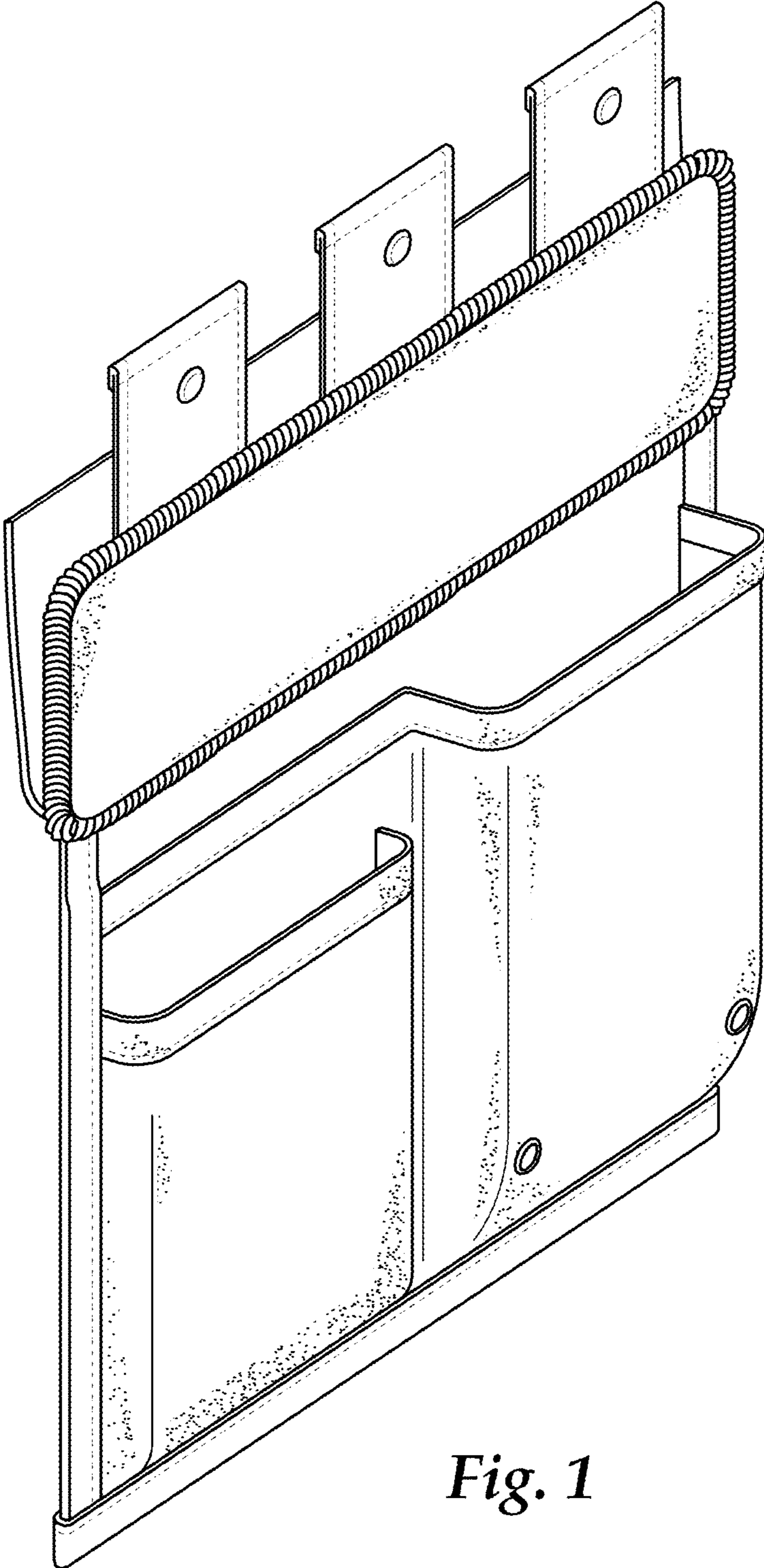


Fig. 1

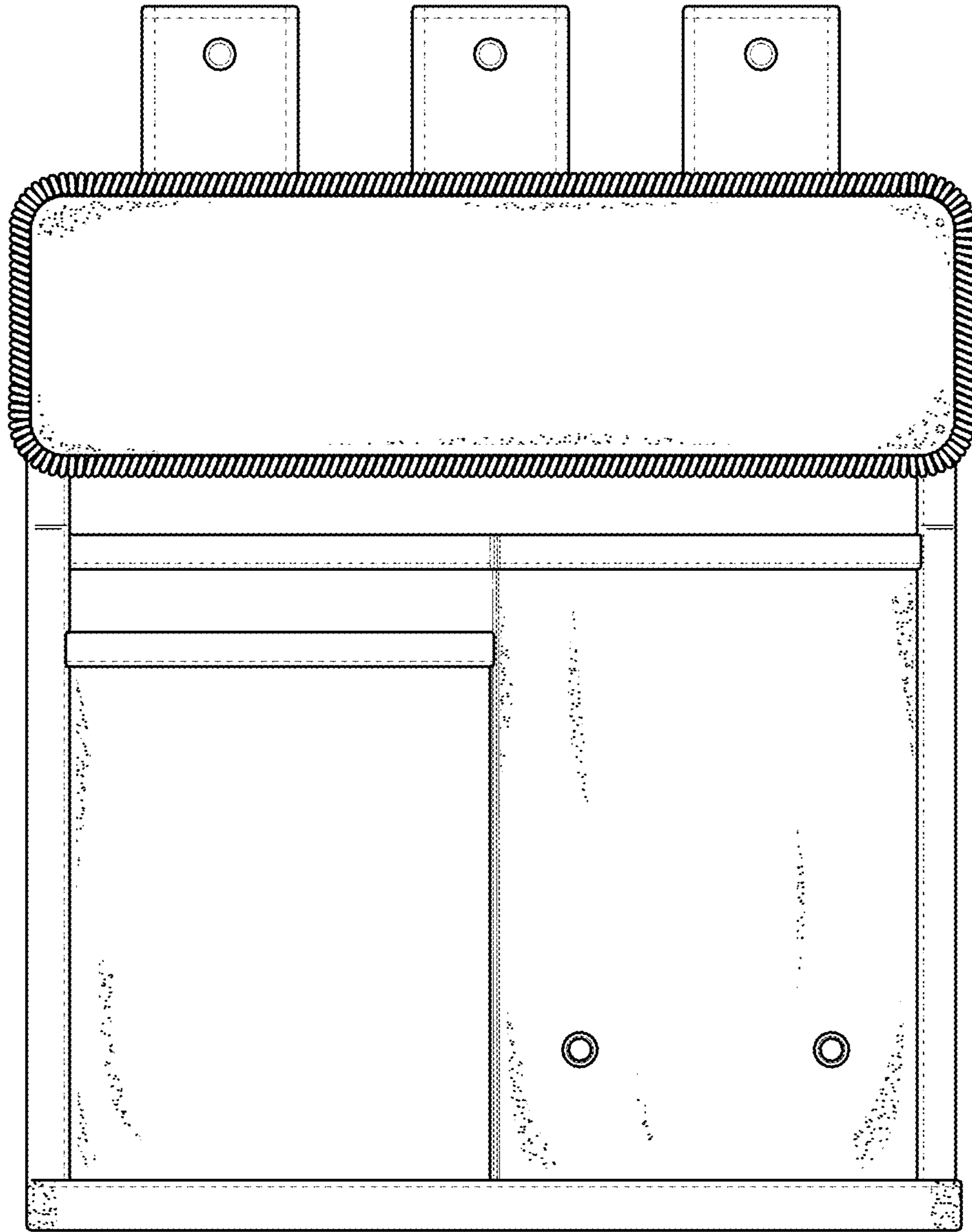


Fig. 2

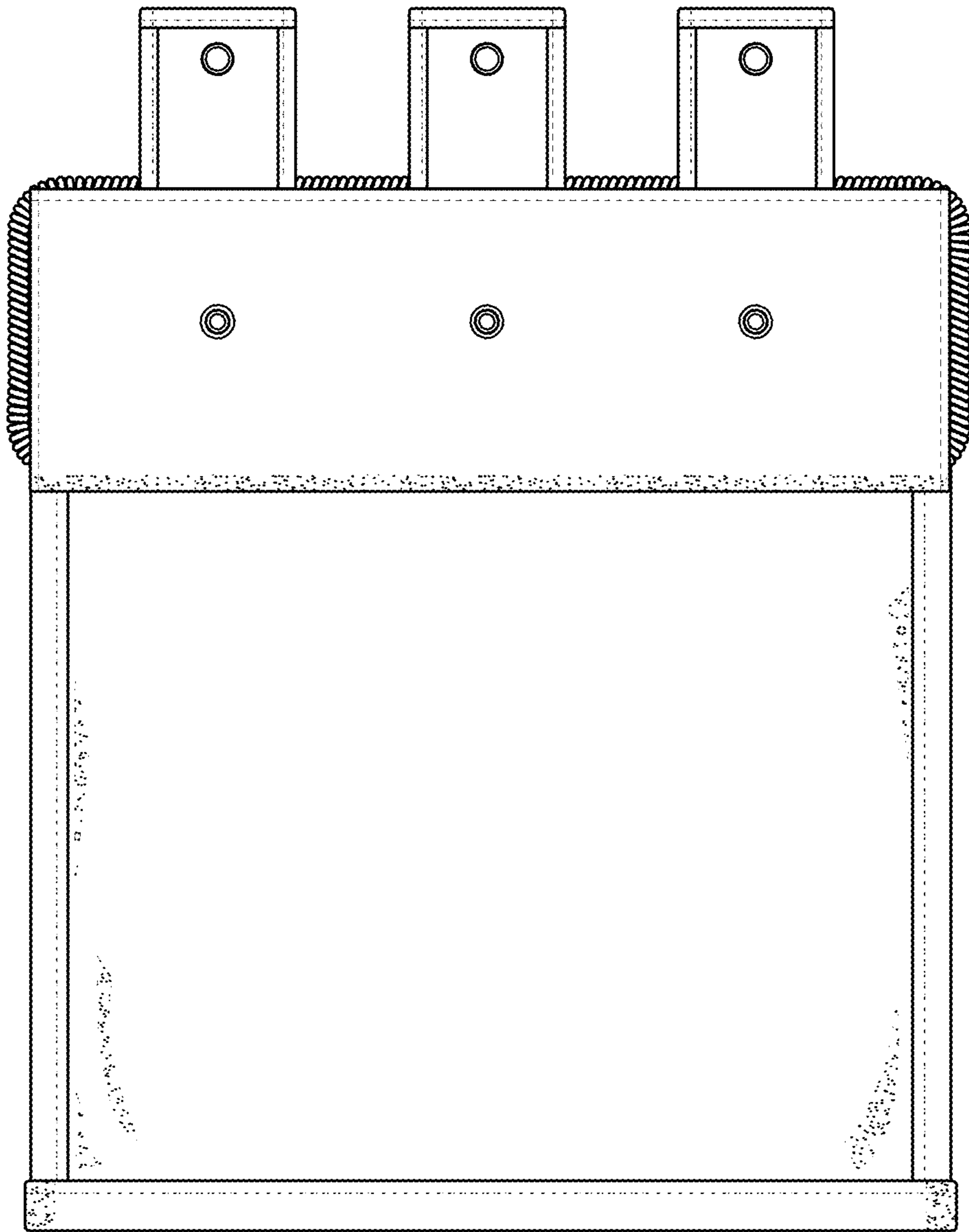


Fig. 3

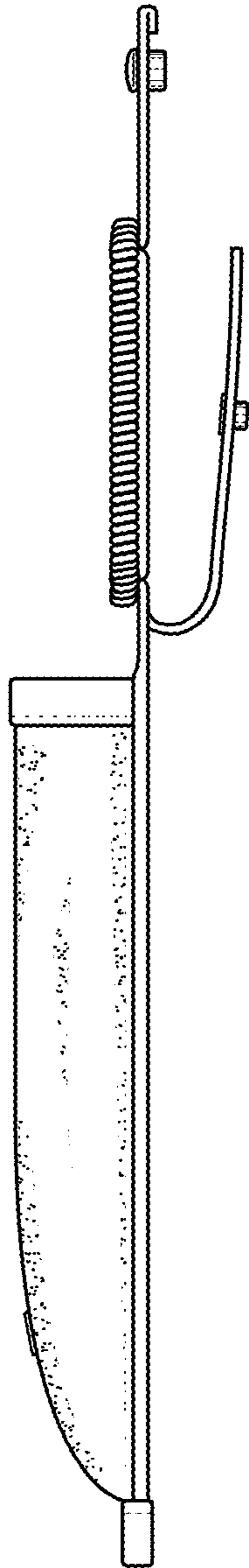


Fig. 4

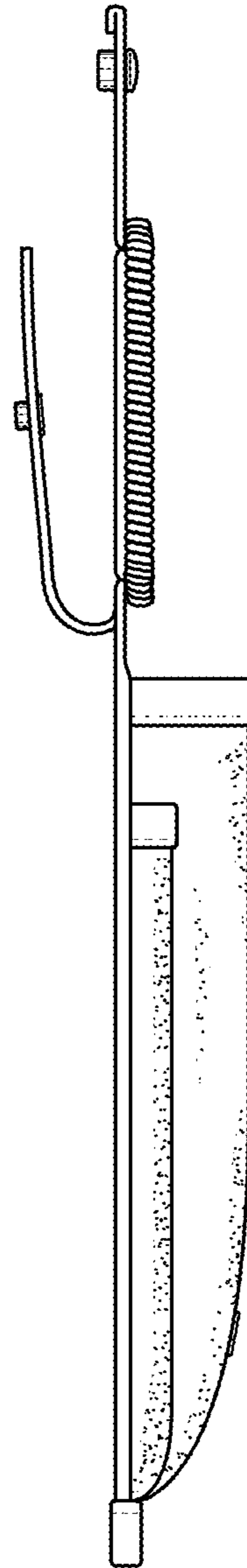


Fig. 5

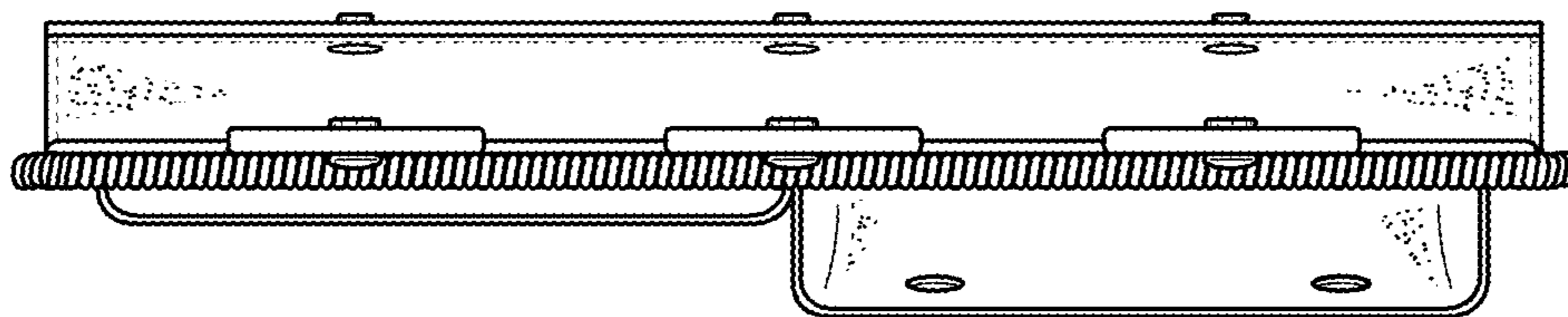


Fig. 6

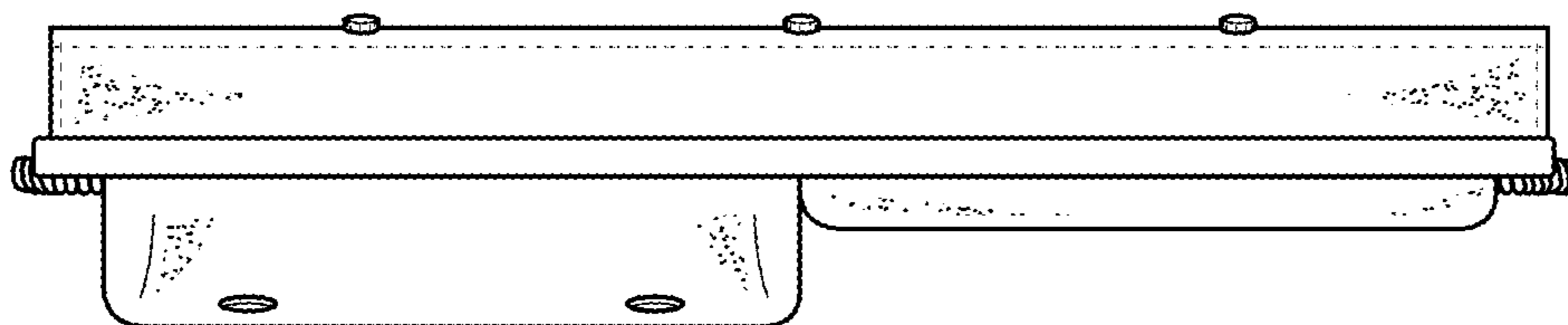


Fig. 7