



US00D848756S

(12) **United States Design Patent** (10) **Patent No.:** **US D848,756 S**  
**Ren** (45) **Date of Patent:** **\*\* May 21, 2019**

(54) **FOLDABLE MASSAGE CHAIR**  
(71) Applicant: **SHEN ZHEN MONDIAL TECHNOLOGY CO., LTD.**,  
Guangdong (CN)  
(72) Inventor: **Changhui Ren**, Guangdong (CN)  
(\*\*) Term: **15 Years**

D417,561 S \* 12/1999 Liu ..... D6/368  
D438,394 S \* 3/2001 Tseng ..... D6/368  
D457,337 S \* 5/2002 Liu ..... D6/368  
D580,672 S \* 11/2008 Le Gal ..... D6/368  
7,500,715 B1 \* 3/2009 Chen ..... A47C 1/027  
297/27  
D651,010 S \* 12/2011 Cohen ..... D6/368  
D654,714 S \* 2/2012 Tseng ..... D6/368  
D671,760 S \* 12/2012 Toupou ..... D6/368  
8,864,221 B1 \* 10/2014 Delvilla ..... A47C 4/28  
297/180.11

(21) Appl. No.: **29/585,350**

(22) Filed: **Nov. 23, 2016**

(30) **Foreign Application Priority Data**

Oct. 27, 2016 (CN) ..... 2016 3 0531580

(51) **LOC (11) Cl.** ..... **06-01**

(52) **U.S. Cl.**  
USPC ..... **D6/368**

(58) **Field of Classification Search**  
USPC ..... D6/334-336, 367, 368, 371, 372, 373,  
D6/374, 379, 716, 716.1, 716.2, 716.3,  
D6/716.4

CPC ..... A47C 1/0265; A47C 1/027; A47C 1/028;  
A47C 4/04; A47C 4/28; A47C 4/283;  
A47C 4/22; A47C 4/30; A61H 7/00;  
A61H 7/002

See application file for complete search history.

(56) **References Cited**

**U.S. PATENT DOCUMENTS**

D281,933 S \* 12/1985 Deconinck ..... D6/368  
D369,690 S \* 5/1996 Hinoki ..... D6/367

\* cited by examiner

*Primary Examiner* — Mimoso De

(74) *Attorney, Agent, or Firm* — Prakash Nama; Global IP Services, PLLC

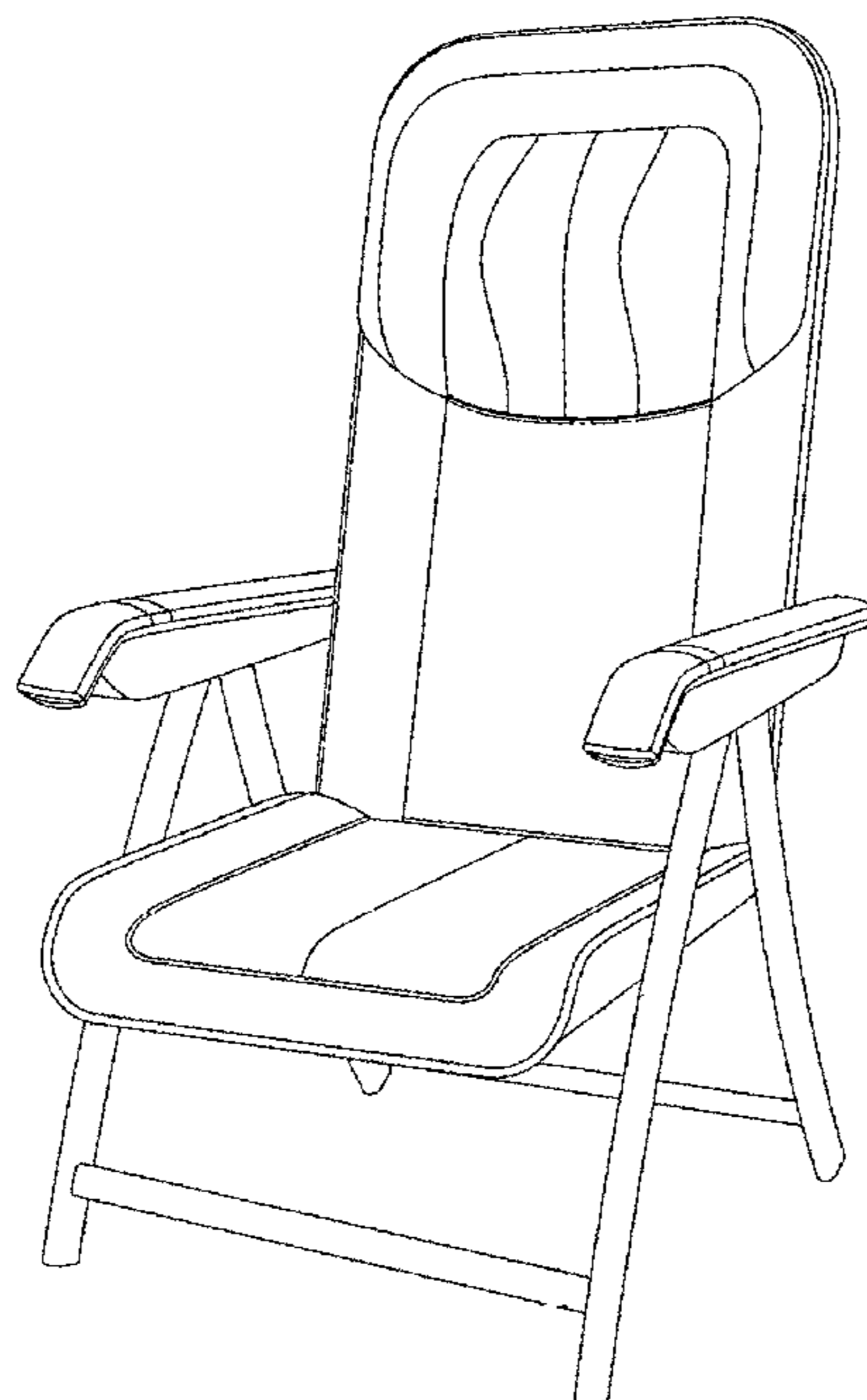
(57) **CLAIM**

The ornamental design for a foldable massage chair, as shown.

**DESCRIPTION**

FIG. 1 is a front elevational view of a foldable massage chair showing my new design;  
FIG. 2 is a rear elevational view thereof;  
FIG. 3 is a left side view thereof;  
FIG. 4 is a right side view thereof;  
FIG. 5 is a top plan view thereof;  
FIG. 6 is a bottom plan view thereof; and,  
FIG. 7 is a perspective view thereof.

**1 Claim, 7 Drawing Sheets**



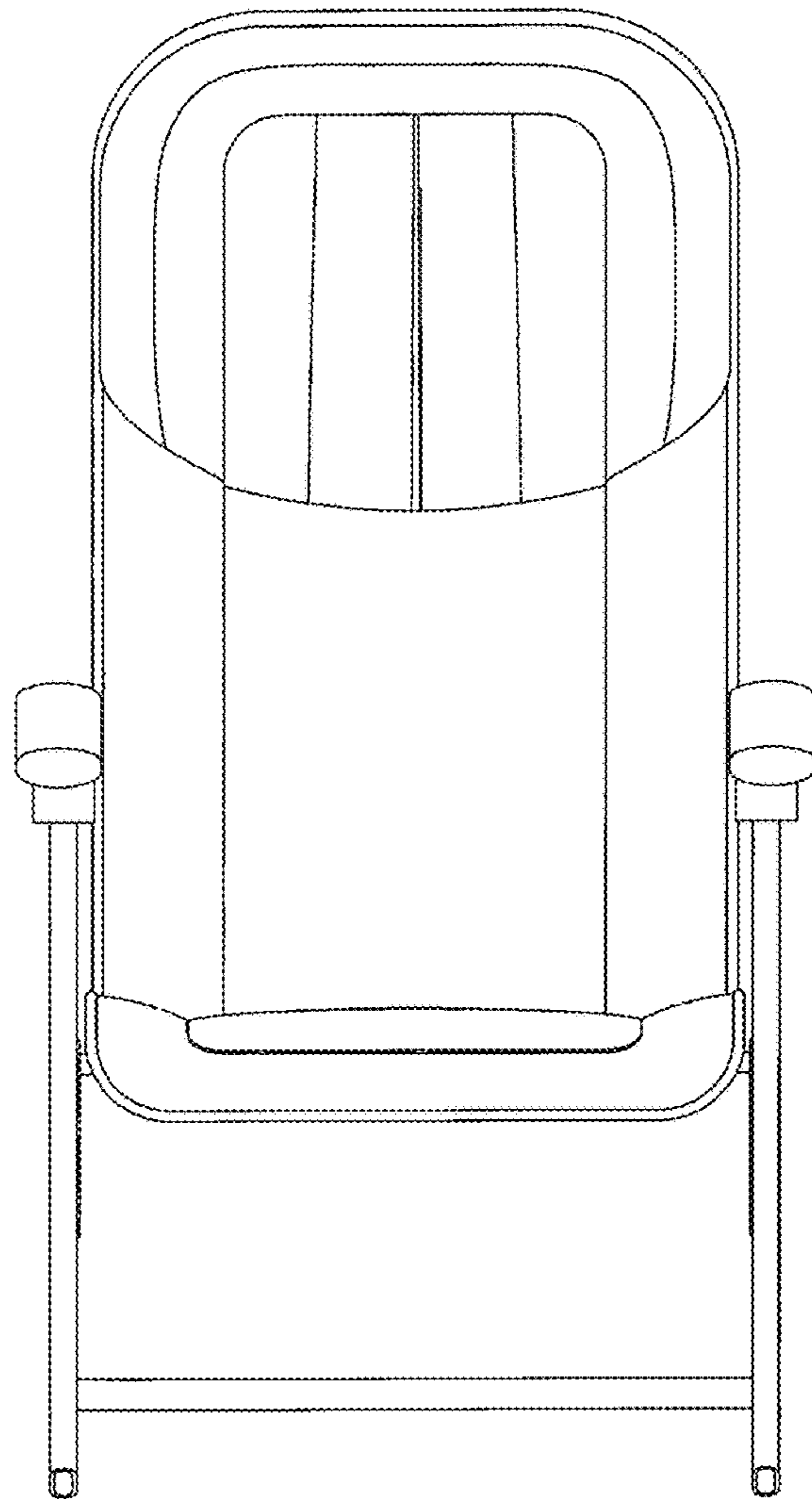


Fig. 1

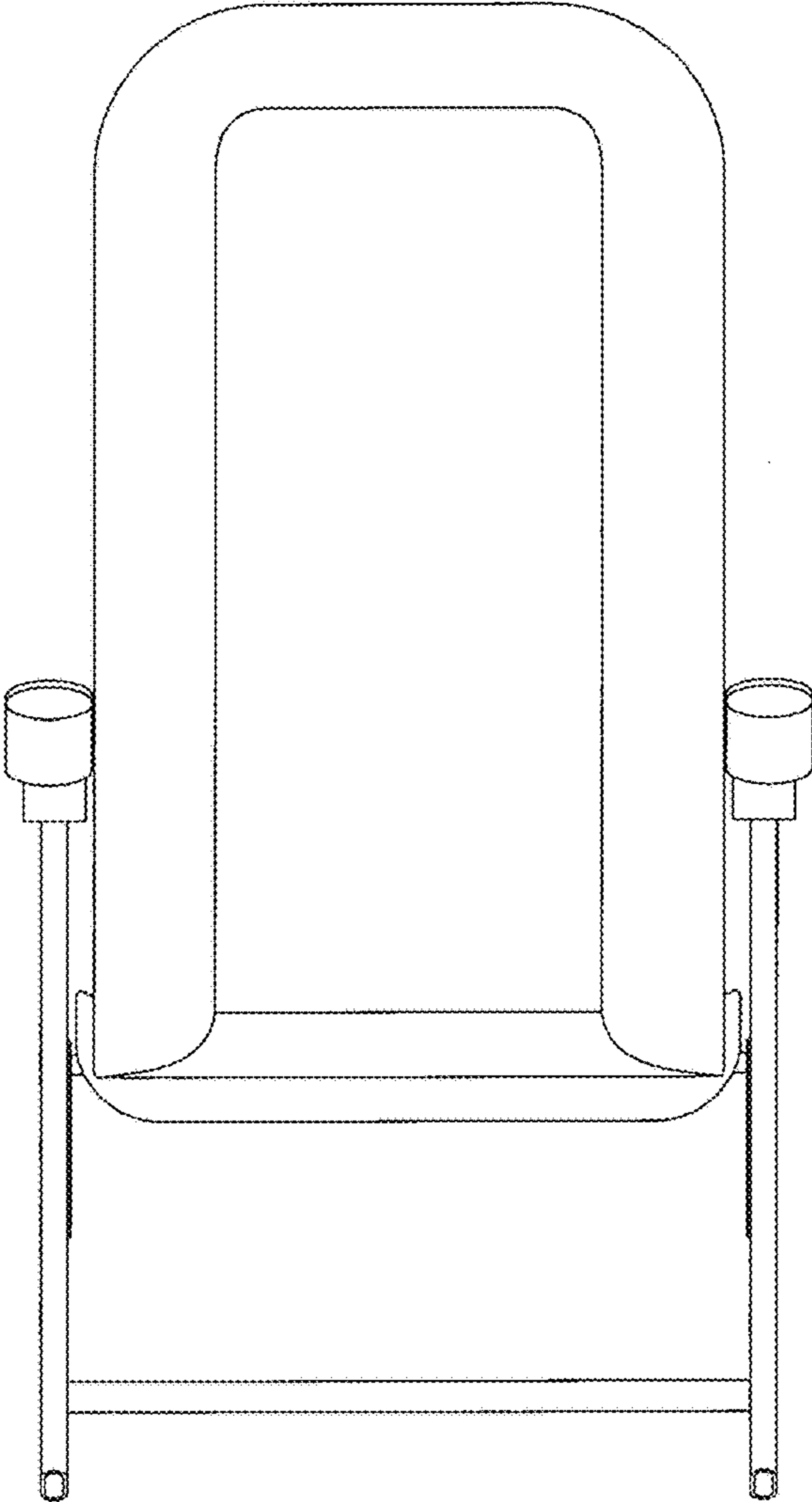


Fig. 2

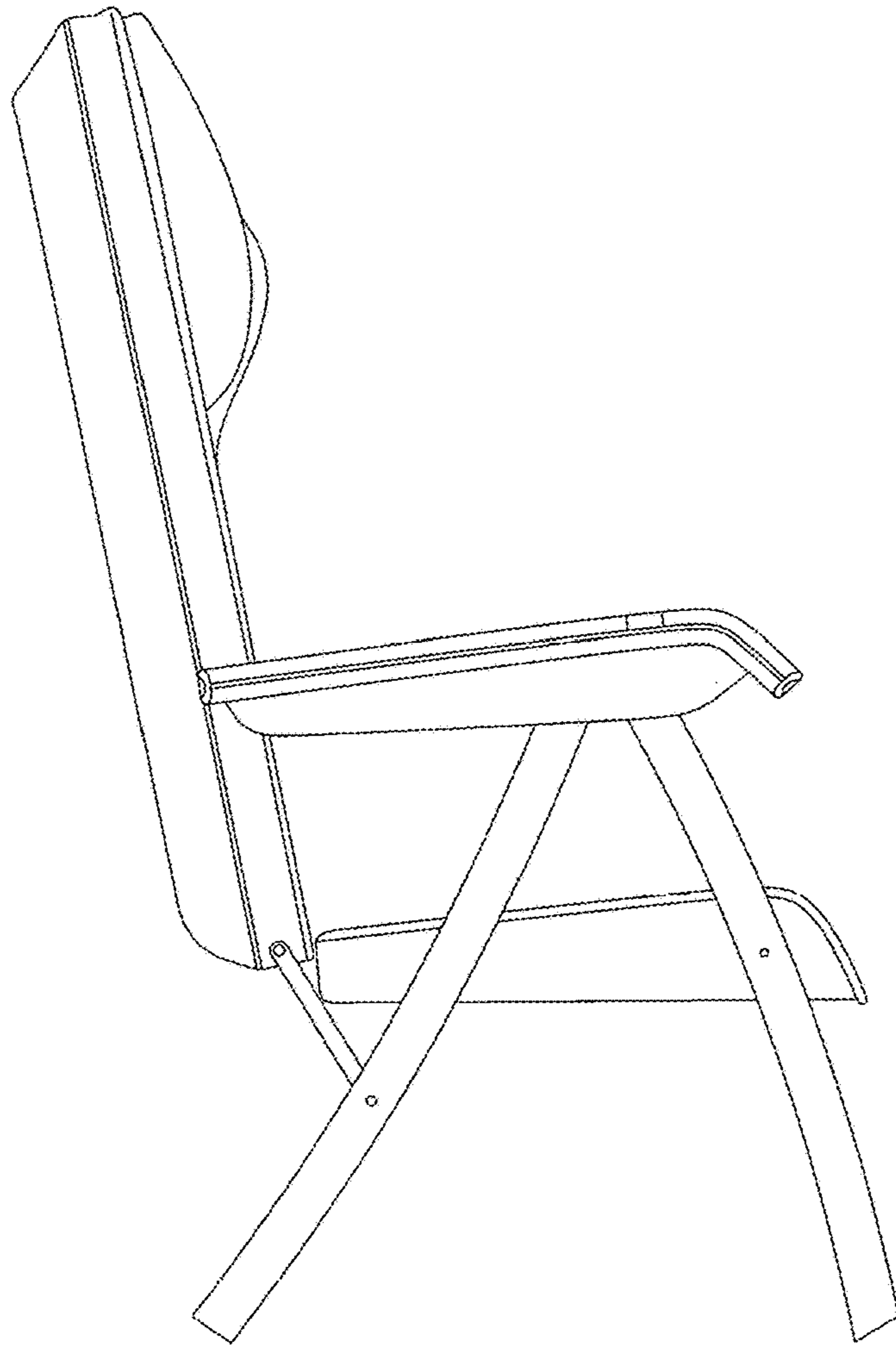


Fig. 3

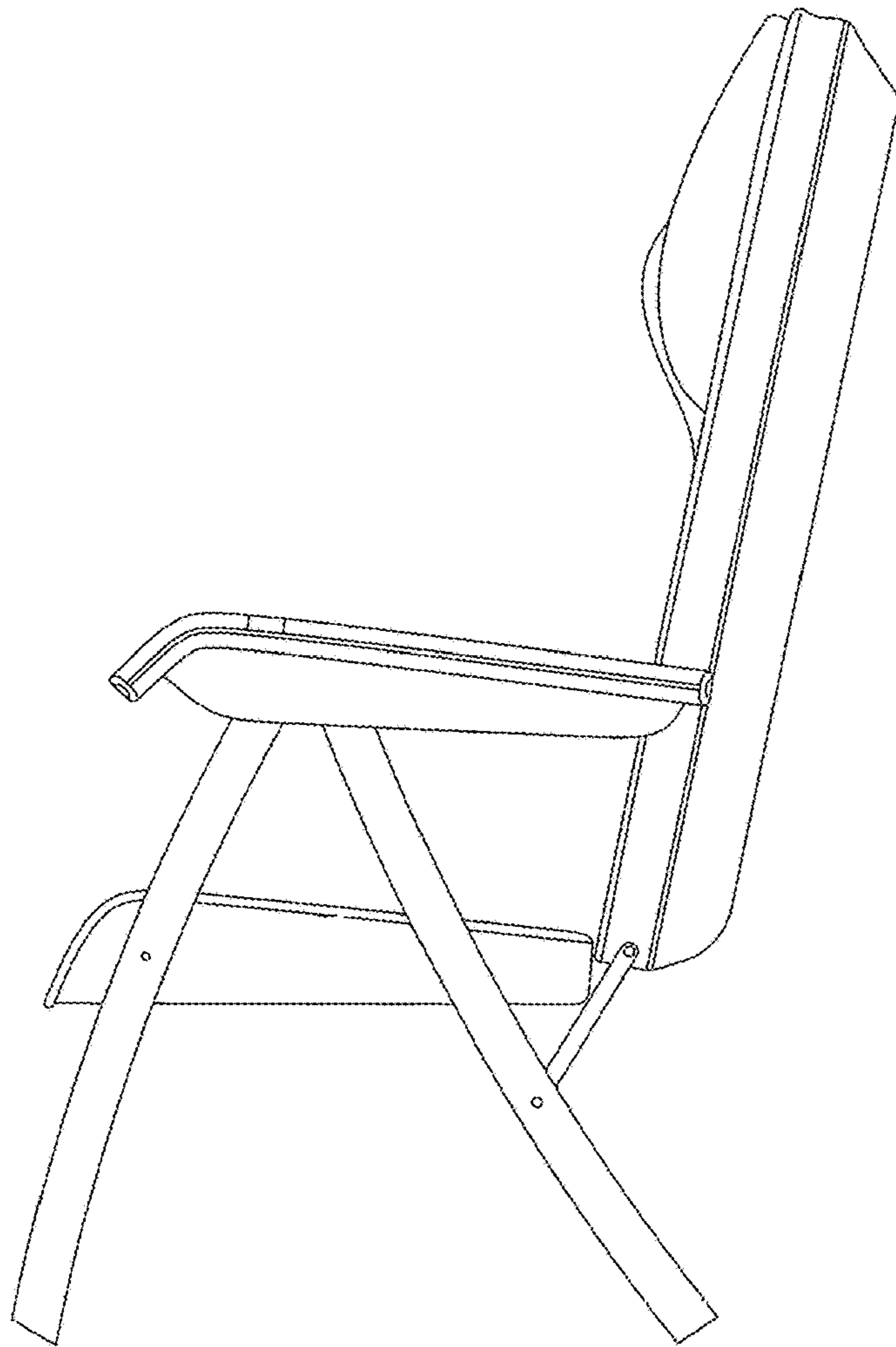


Fig. 4

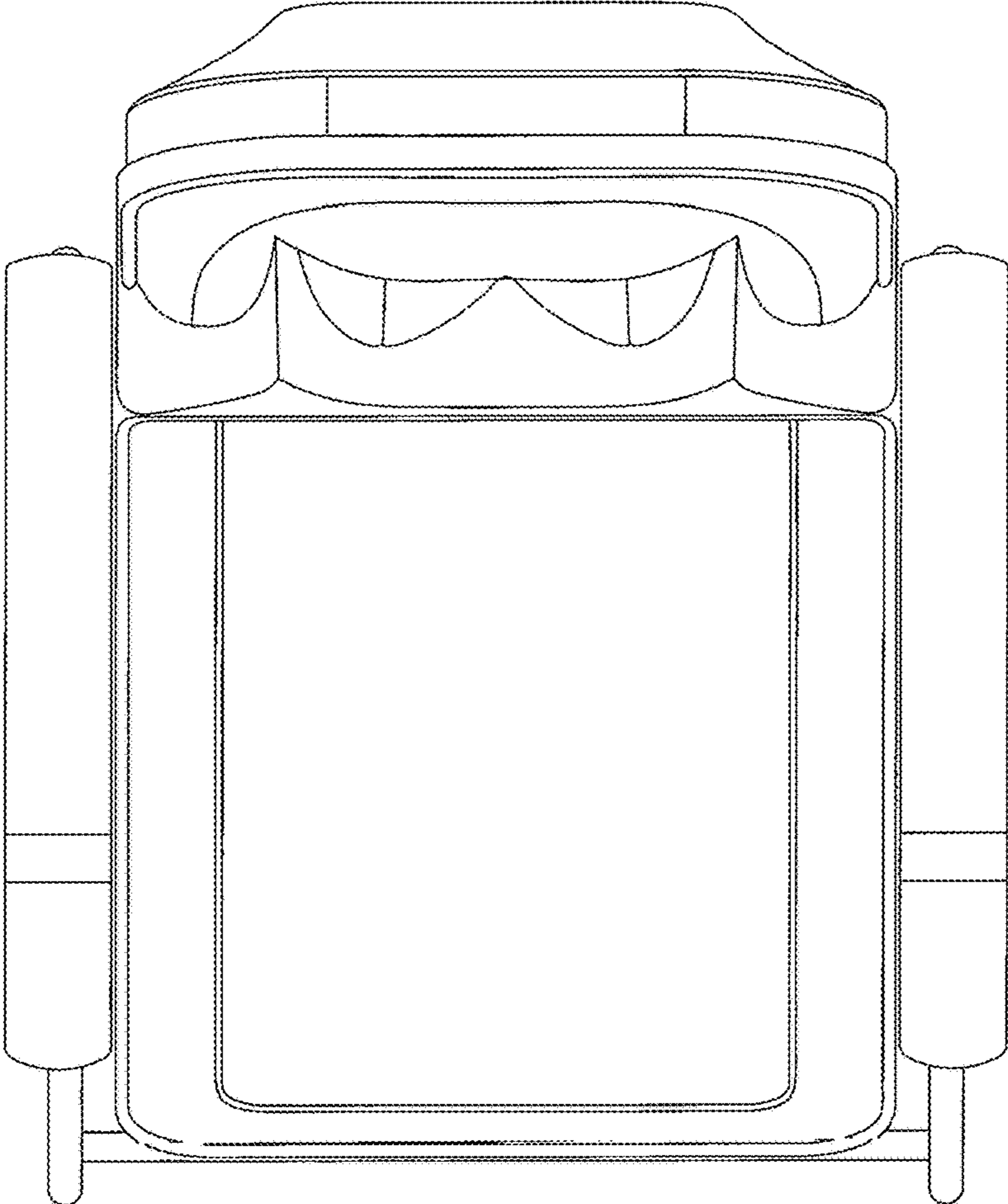


Fig. 5

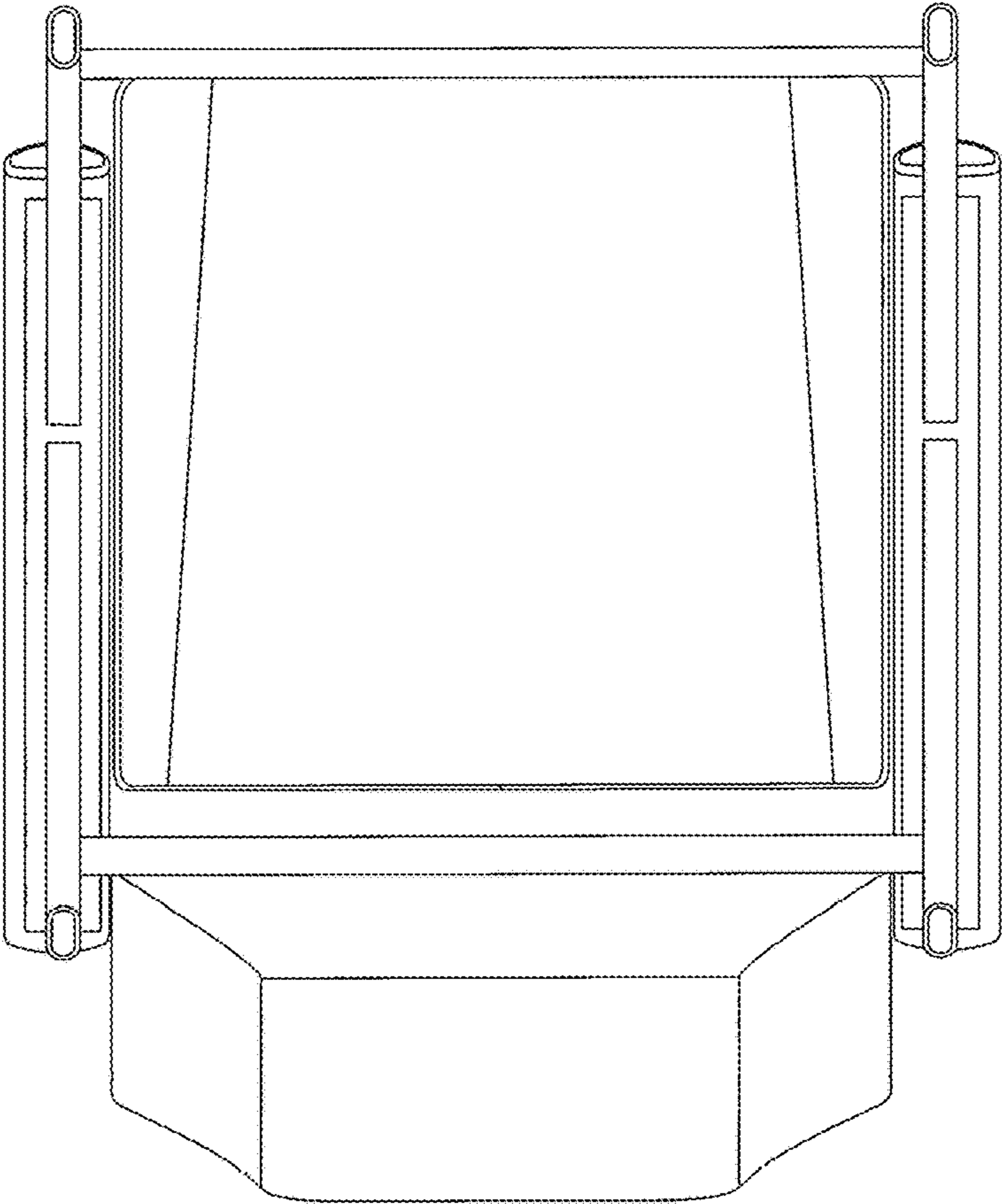


Fig. 6

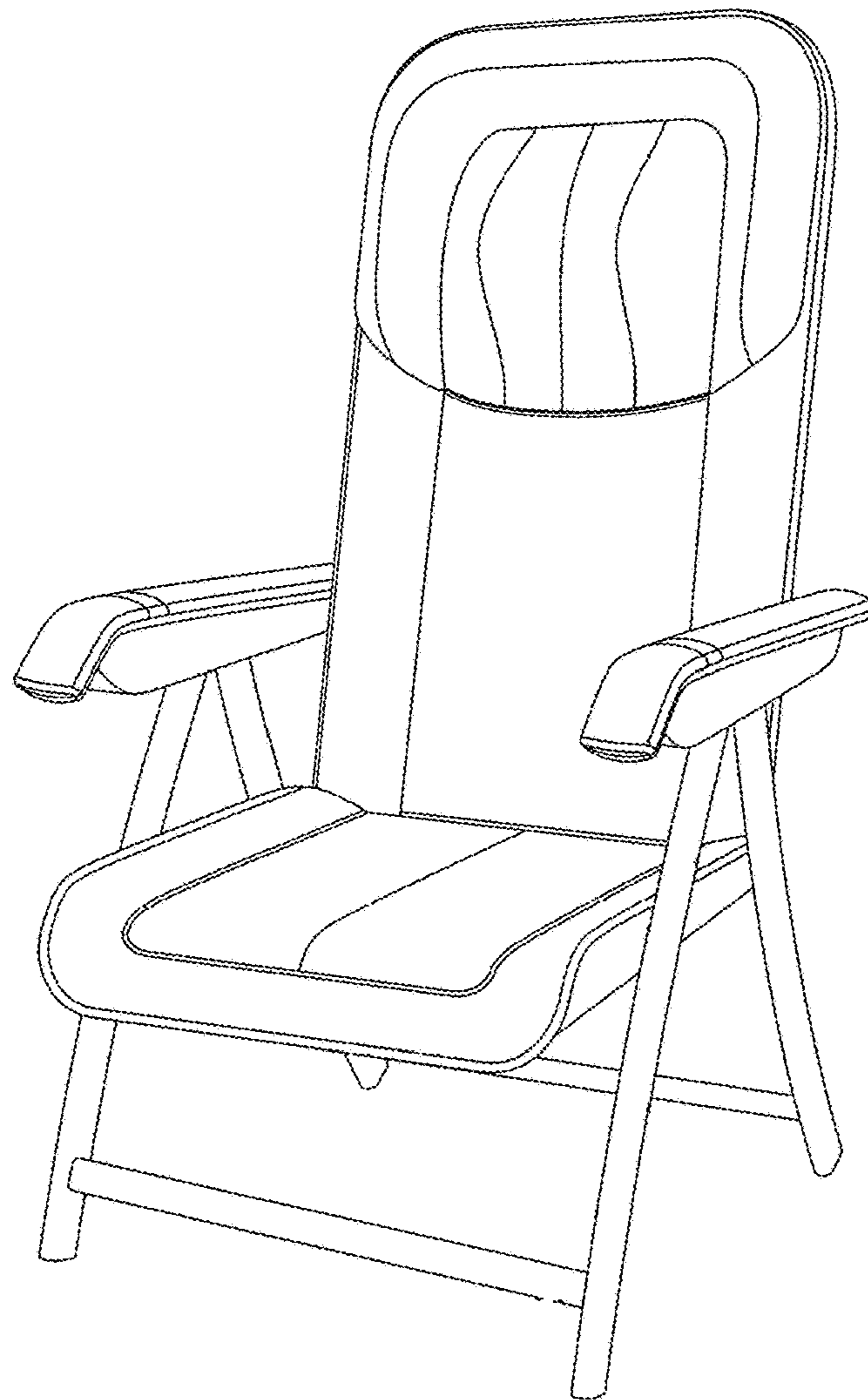


Fig. 7