



US00D848755S

(12) **United States Design Patent**
Sabbagh

(10) **Patent No.:** **US D848,755 S**

(45) **Date of Patent:** **** May 21, 2019**

(54) **WHEELED GRAVITY FREE RECLINER**

(71) Applicant: **Bliss Hammocks Inc.**, Hauppauge, NY
(US)

(72) Inventor: **Victor Sabbagh**, Brooklyn, NY (US)

(73) Assignee: **Bliss Hammocks Inc.**, Hauppauge, NY
(US)

(**) Term: **15 Years**

(21) Appl. No.: **29/619,964**

(22) Filed: **Oct. 3, 2017**

(51) **LOC (11) Cl.** **06-01**

(52) **U.S. Cl.**
USPC **D6/361; D6/368**

(58) **Field of Classification Search**
USPC D6/334-336, 361, 368, 374, 375, 379,
D6/380, 716, 716.1, 716.2, 716.3, 716.4
CPC A47C 1/035; A47C 1/14; A47C 1/143;
A47C 4/28; A47C 4/283; A47C 4/30;
A47C 4/42; A47C 5/06; A47C 7/282;
A47C 4/50
See application file for complete search history.

(56) **References Cited**

U.S. PATENT DOCUMENTS

- 4,072,341 A * 2/1978 Kurz A47C 1/035
267/179
- 4,376,547 A 3/1983 Dominko
- 4,934,719 A 6/1990 duPont
- 5,356,160 A 10/1994 Urlwin
- 5,364,112 A 11/1994 Jackson
- 5,464,270 A * 11/1995 Chang A47C 1/035
297/28
- 5,492,347 A 2/1996 Palmeri
- 5,570,926 A * 11/1996 Papiernik A47C 1/035
297/27
- 6,082,820 A * 7/2000 Jeng A47C 1/143
297/326

- 6,312,048 B1 11/2001 Kilmer
- D491,377 S * 6/2004 Le Gall D6/361
- 6,877,803 B1 * 4/2005 Reese A47C 4/50
297/18
- D532,621 S * 11/2006 Lin D6/368
- D571,113 S 6/2008 Cohen
- D580,672 S * 11/2008 Le Gal D6/368
- 7,628,450 B2 * 12/2009 Castagnola A47C 4/42
297/16.1
- D648,148 S 11/2011 Henry
- D650,601 S * 12/2011 Le Gal D6/361
- 2003/0164626 A1 * 9/2003 Lardieri A47C 5/06
297/35
- 2003/0209935 A1 * 11/2003 Legal A47C 7/282
297/452.63

* cited by examiner

Primary Examiner — Mimosa De

(74) *Attorney, Agent, or Firm* — Amster, Rothstein &
Ebenstein LLP

(57) **CLAIM**

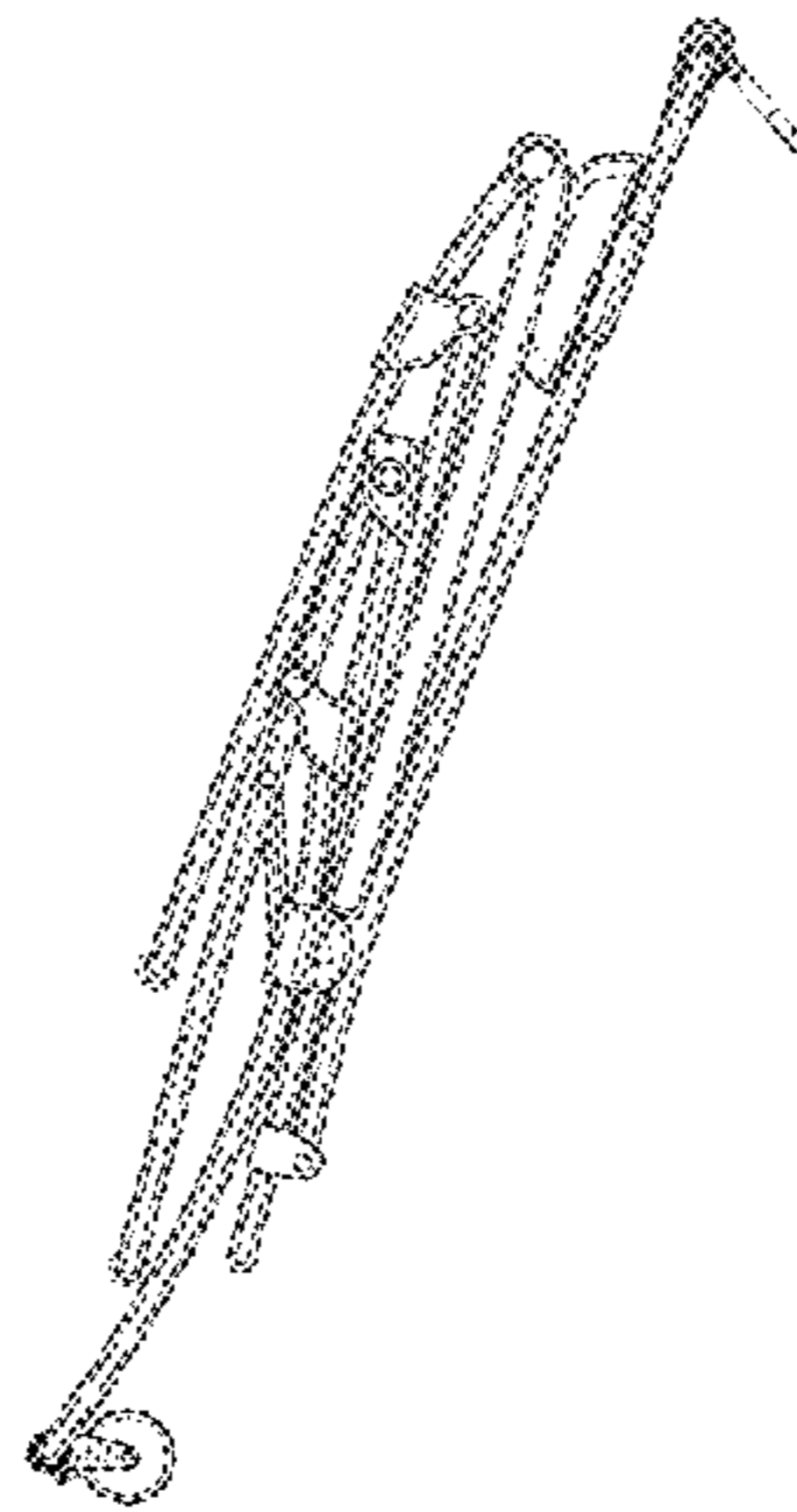
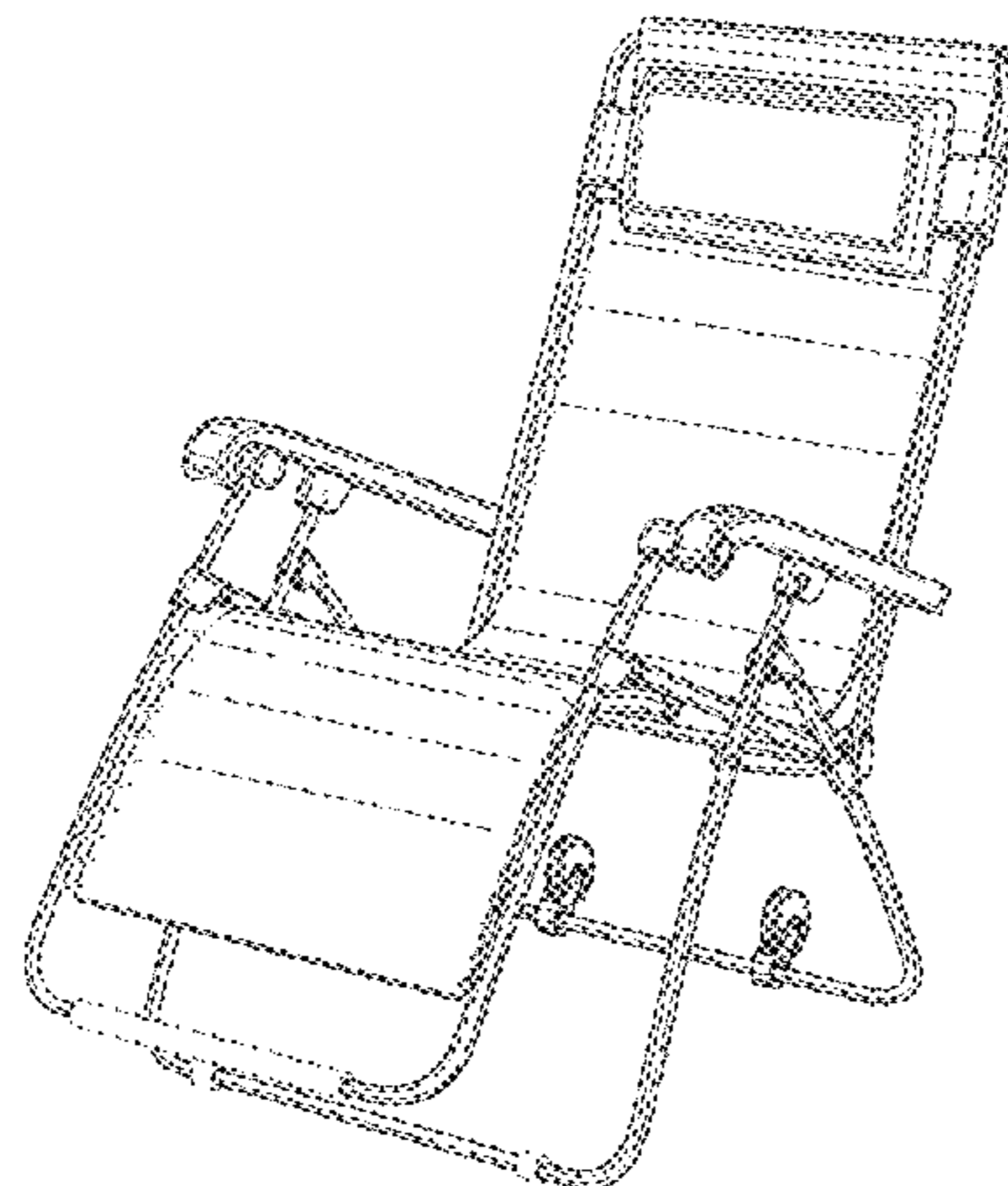
The ornamental design for a wheeled gravity free recliner, as shown and described.

DESCRIPTION

FIG. 1 is a perspective view of a gravity free recliner with wheels;
 FIG. 2 is a front view thereof;
 FIG. 3 is a rear view thereof;
 FIG. 4 is a right side view thereof, the left side being a mirror image of the right side;
 FIG. 5 is a top plan view thereof;
 FIG. 6 is a bottom view thereof;
 FIG. 7 is a front view thereof, shown in a folded position;
 and,
 FIG. 8 is a right side view thereof, shown in a folded position.

The portions of the design shown in broken lines being for the purpose of illustrating environment only and form no part of the claimed design.

1 Claim, 8 Drawing Sheets



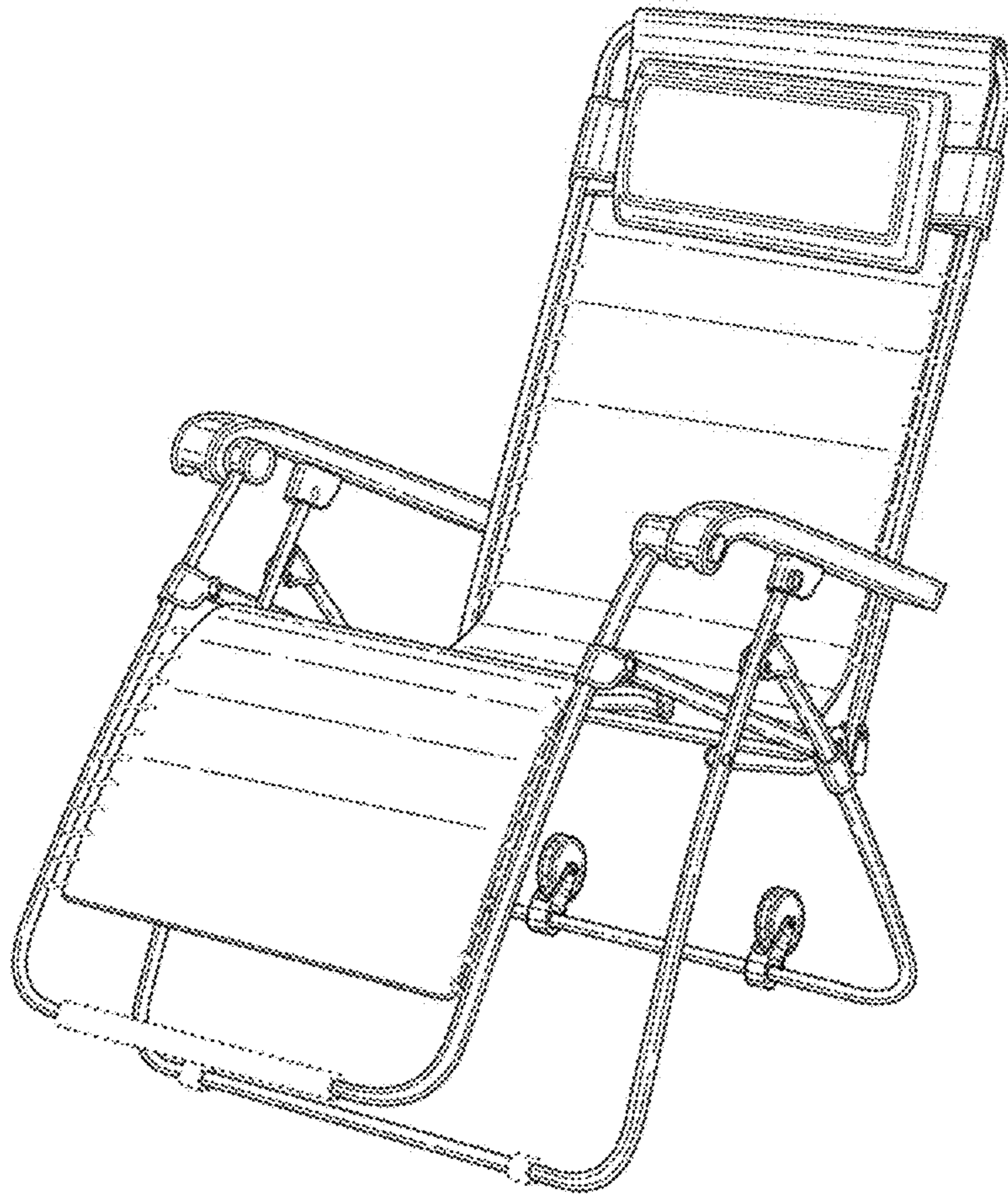


FIG. 1

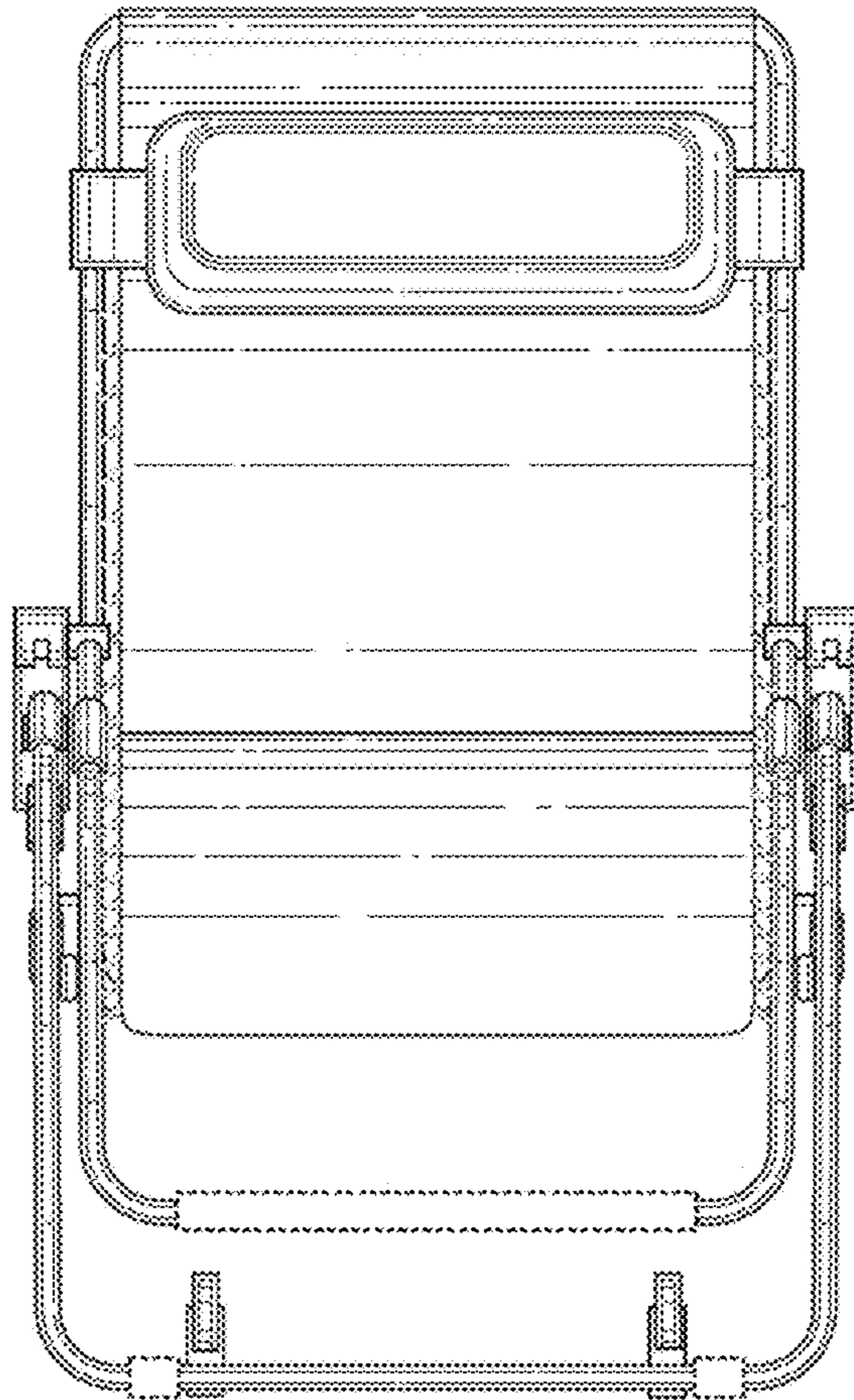


FIG. 2

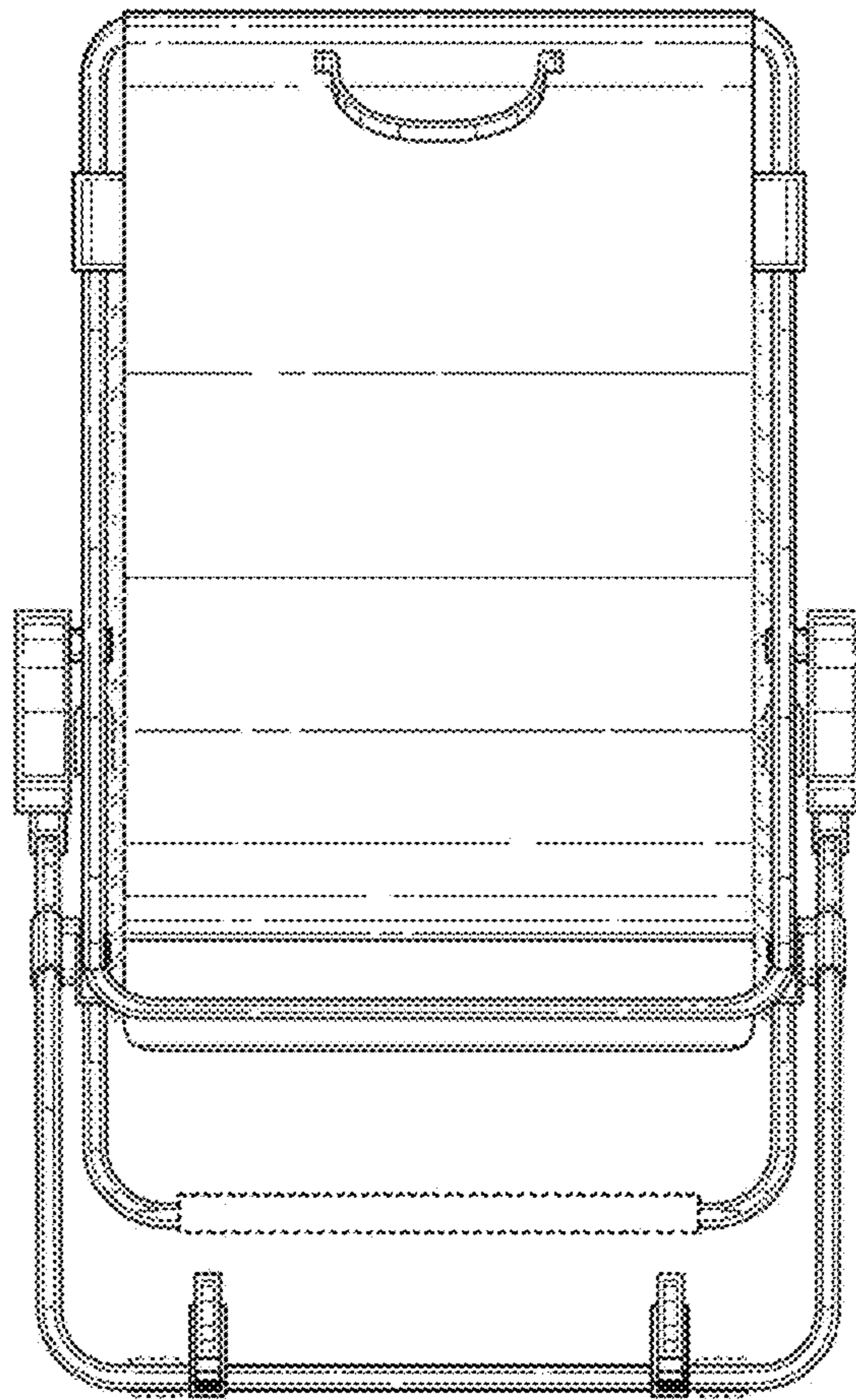


FIG. 3

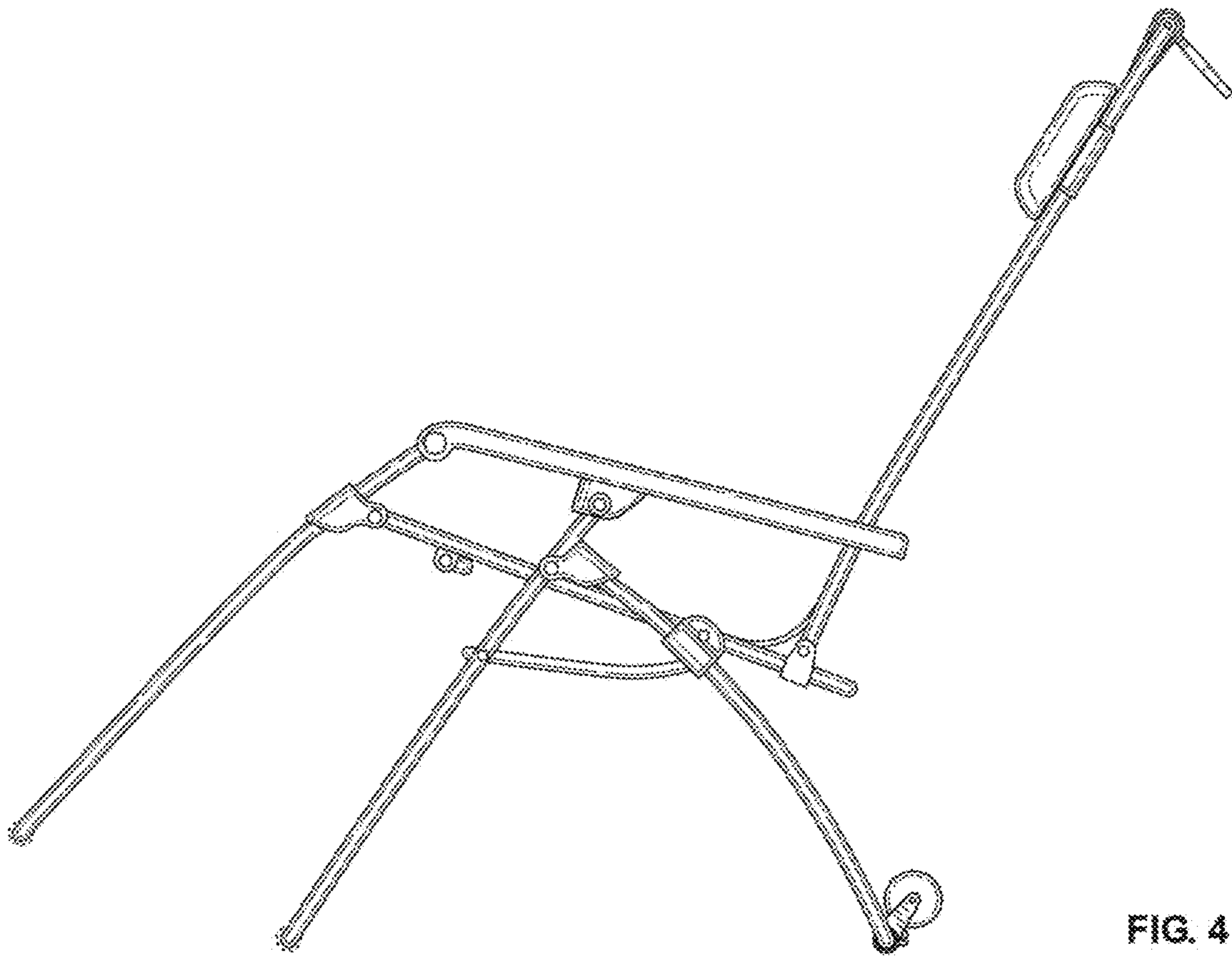


FIG. 4

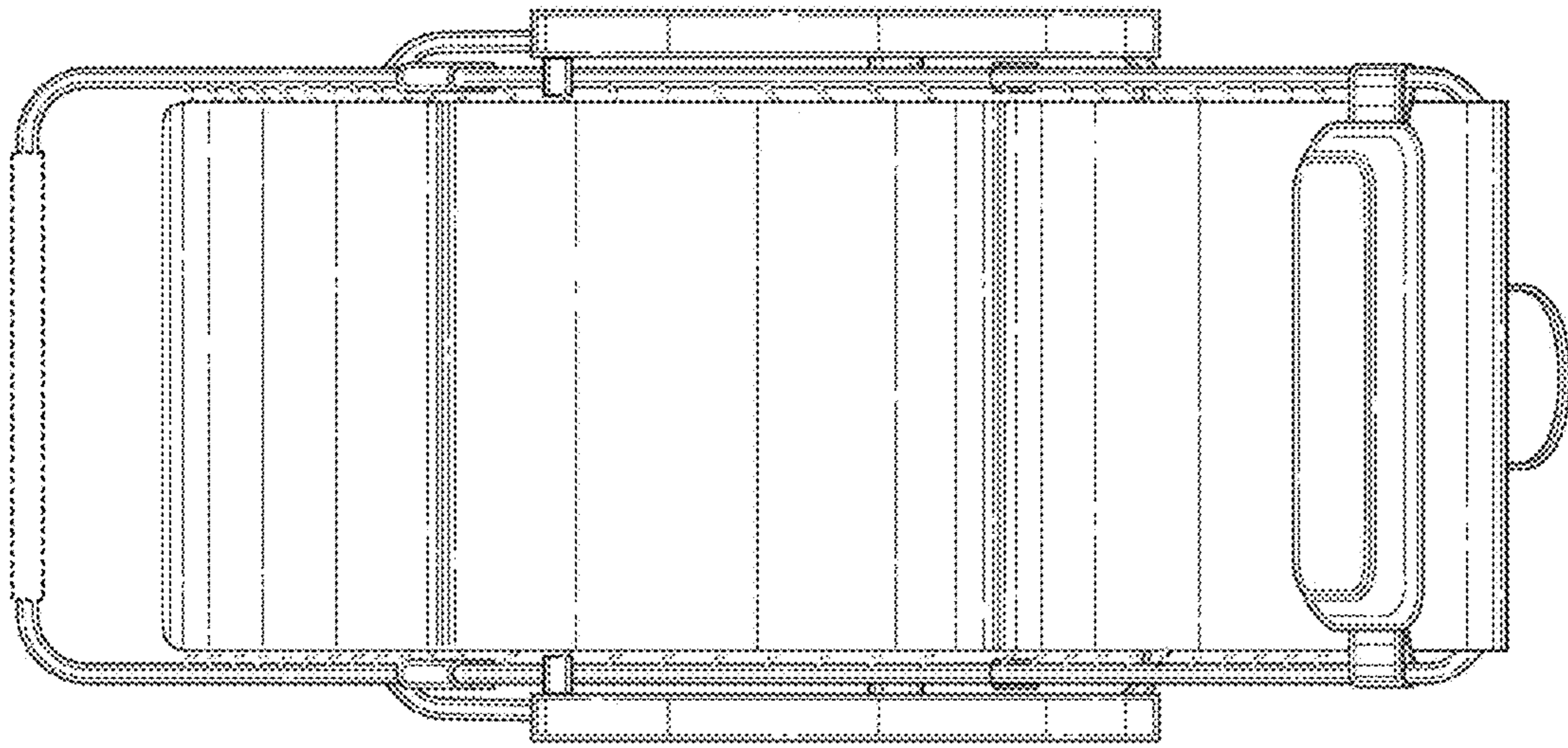


FIG. 5

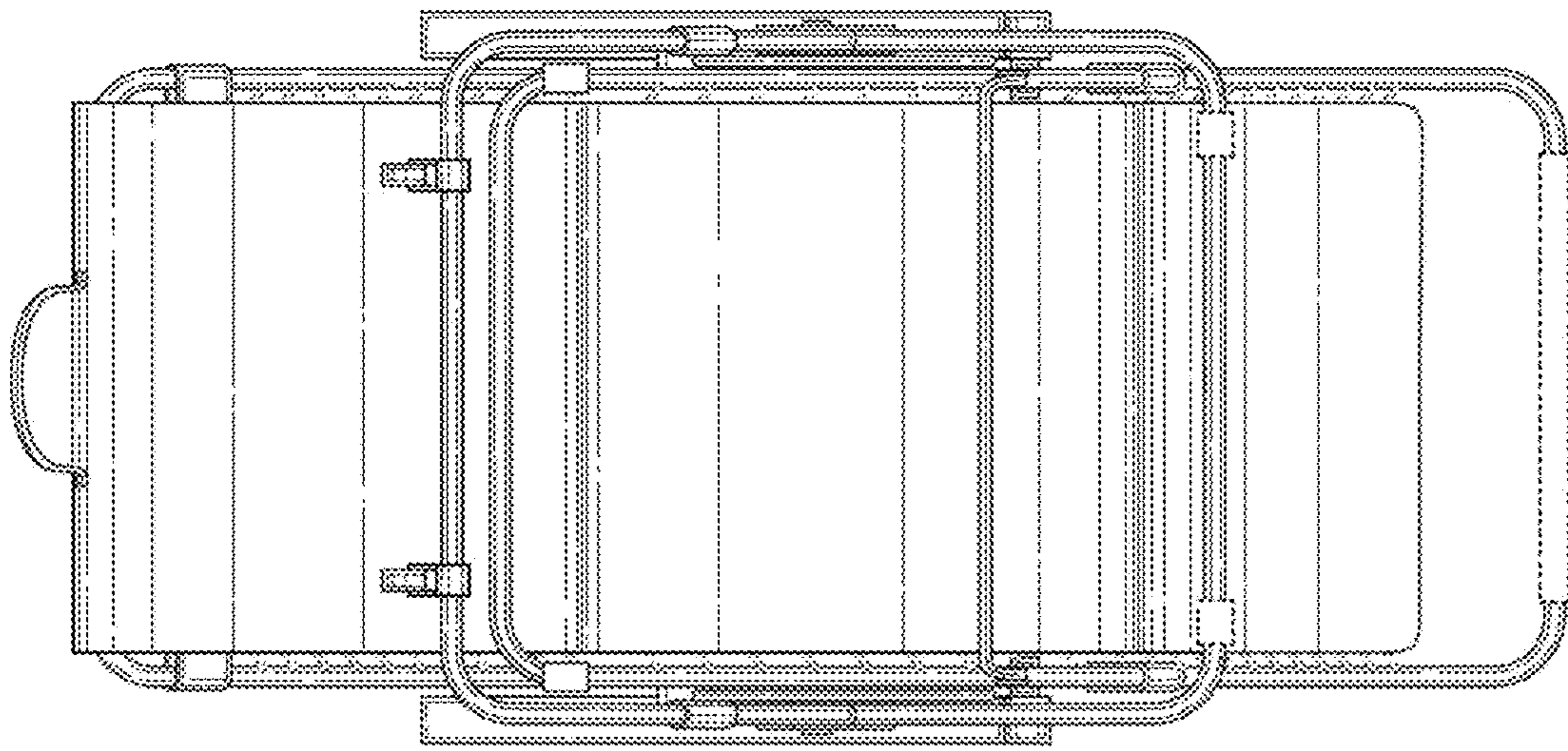


FIG. 6

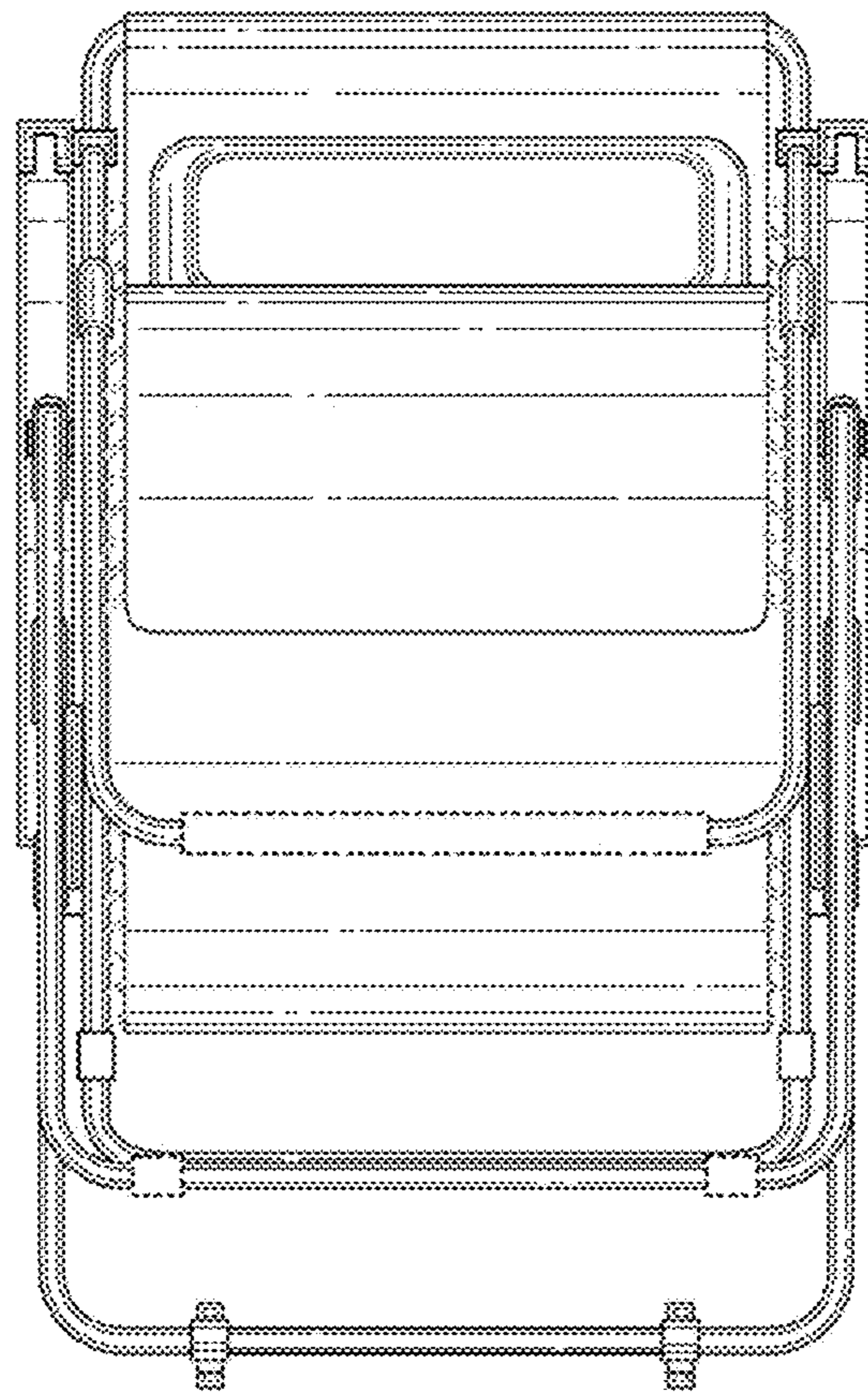


FIG. 7

