

US00D848750S

(12) **United States Design Patent** (10) **Patent No.:** **US D848,750 S**
Lattorre (45) **Date of Patent:** **** *May 21, 2019**

(54) **FRAME**

(71) Applicant: **Dyan Lattorre**, Columbus, OH (US)

(72) Inventor: **Dyan Lattorre**, Columbus, OH (US)

(*) Notice: This patent is subject to a terminal disclaimer.

(**) Term: **15 Years**

(21) Appl. No.: **29/611,180**

(22) Filed: **Jul. 19, 2017**

(51) **LOC (11) Cl.** **06-07**

(52) **U.S. Cl.**
USPC **D6/300**

(58) **Field of Classification Search**
USPC D6/300-314
CPC ... A47G 1/00; A47G 1/02; A47G 1/04; A47G 1/06; A47G 1/0622; A47G 1/0627; A47G 1/0633

See application file for complete search history.

(56) **References Cited**

U.S. PATENT DOCUMENTS

3,647,283	A	*	3/1972	Castanis	G02B 5/08
						359/627
D225,476	S	*	12/1972	Pavenick	D6/308
D248,711	S	*	8/1978	Tougas	D6/300
D252,832	S	*	9/1979	Bowser	D26/85
D308,767	S	*	6/1990	Hsu	D6/310
D448,308	S	*	9/2001	Weinstein	D10/18

D460,865	S	*	7/2002	Keller	D6/302
D479,561	S	*	9/2003	Meyer	D20/22
D505,553	S	*	5/2005	Mohundro	D6/300
D532,980	S	*	12/2006	Hutton	D6/300
D664,776	S	*	8/2012	Pitts Brown	D6/310
D681,738	S	*	5/2013	Richmond	D20/42
D681,739	S	*	5/2013	Richmond	D20/42
D698,160	S	*	1/2014	Spall	D6/303
D835,918	S	*	12/2018	Lattorre	D6/300

* cited by examiner

Primary Examiner — Deanna L Pratt

(74) *Attorney, Agent, or Firm* — Miracle IP; Bryce D. Miracle

(57) **CLAIM**

The ornamental design for a frame, substantially as shown and described.

DESCRIPTION

FIG. 1 is a front perspective view of a version of the frame showing the new design;

FIG. 2 is a rear perspective view thereof;

FIG. 3 is front elevation view thereof;

FIG. 4 is a rear elevation view thereof;

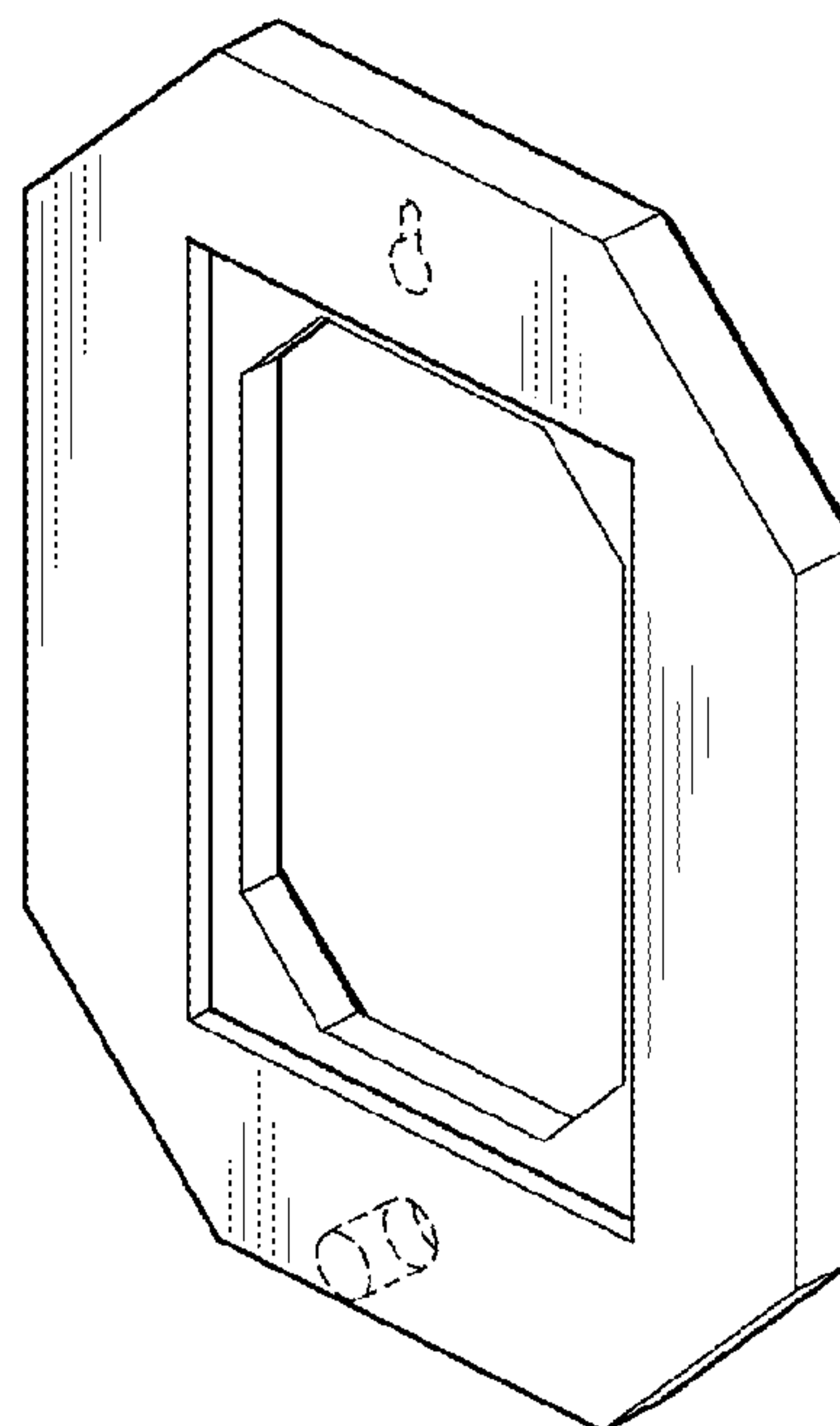
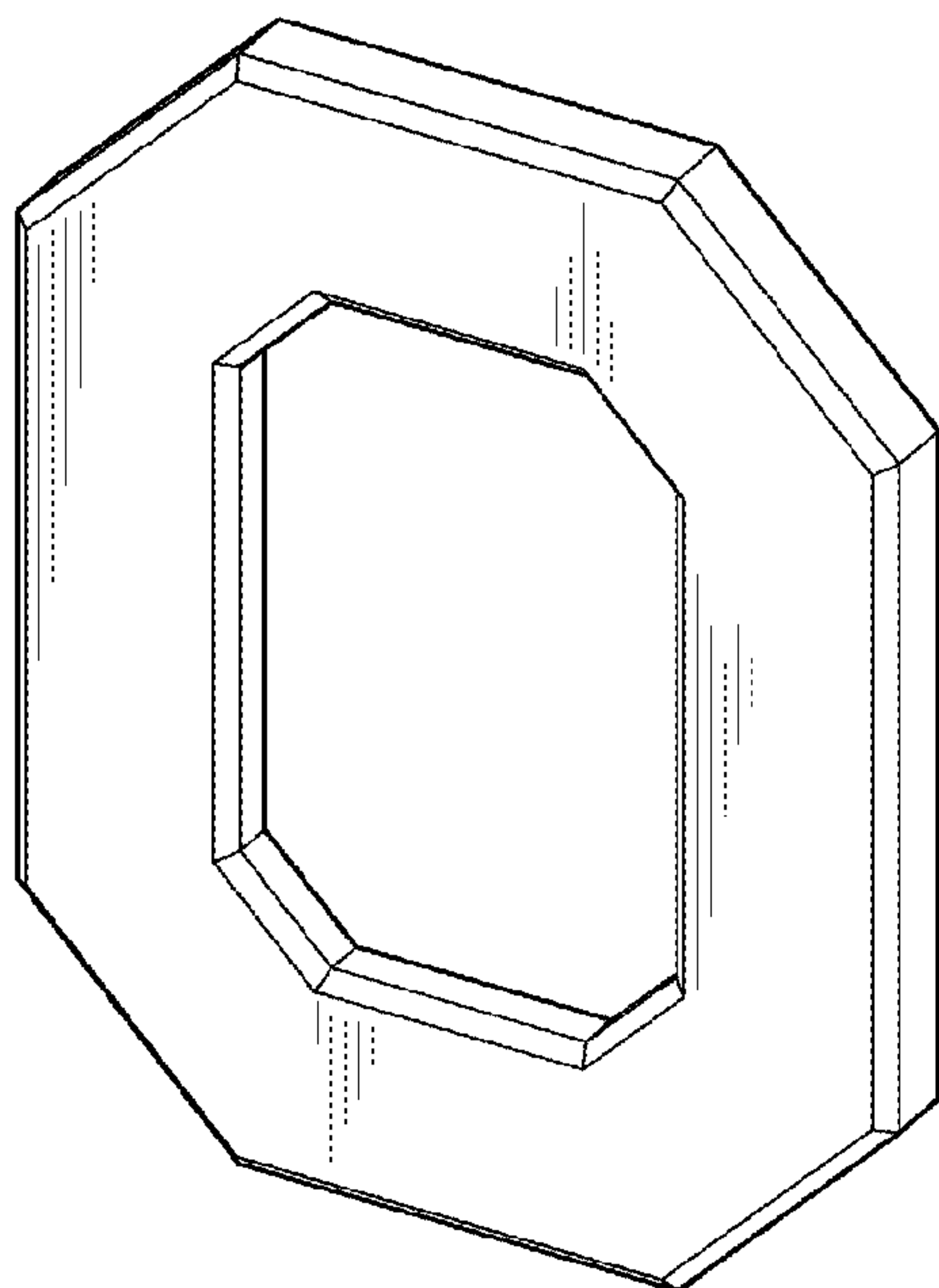
FIG. 5 is a top plan view thereof;

FIG. 6 is a right side elevation view thereof; and,

FIG. 7 is a left side elevation view thereof.

The broken lines in the drawings are for purposes of illustrating environmental subject matter that forms no part of the claimed design. The unshown bottom plan view is the mirror image of FIG. 5.

1 Claim, 2 Drawing Sheets



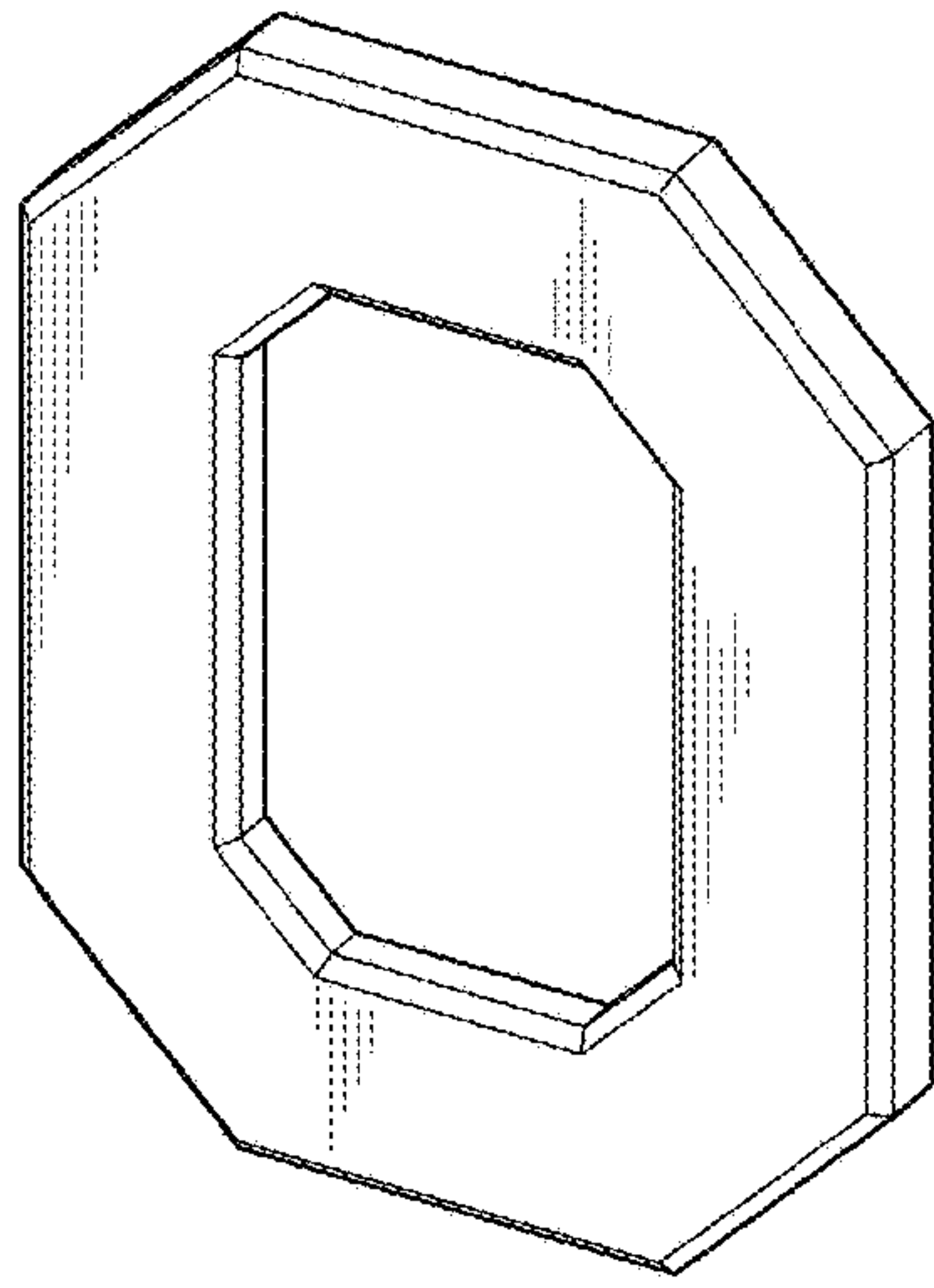


FIG. 1

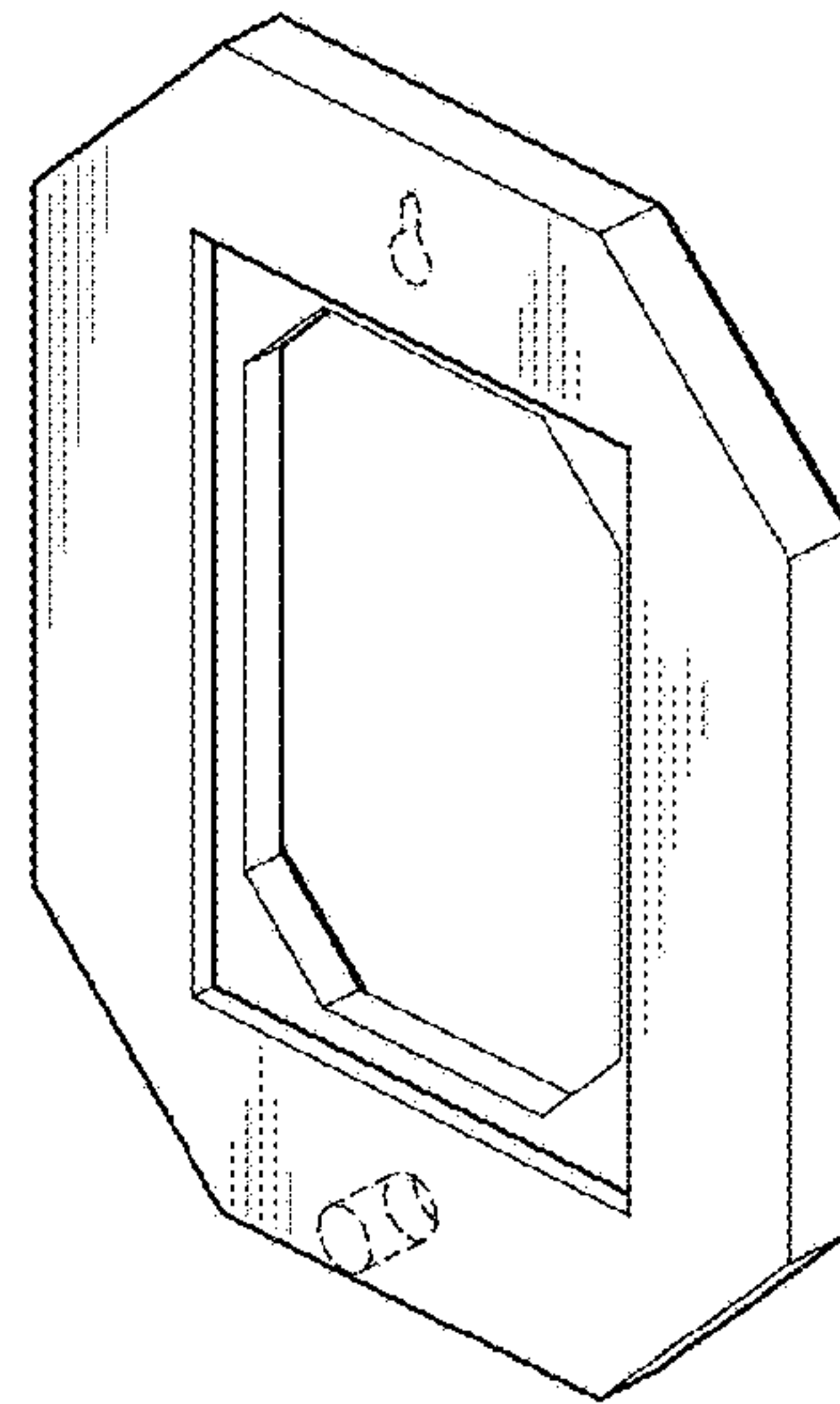


FIG. 2

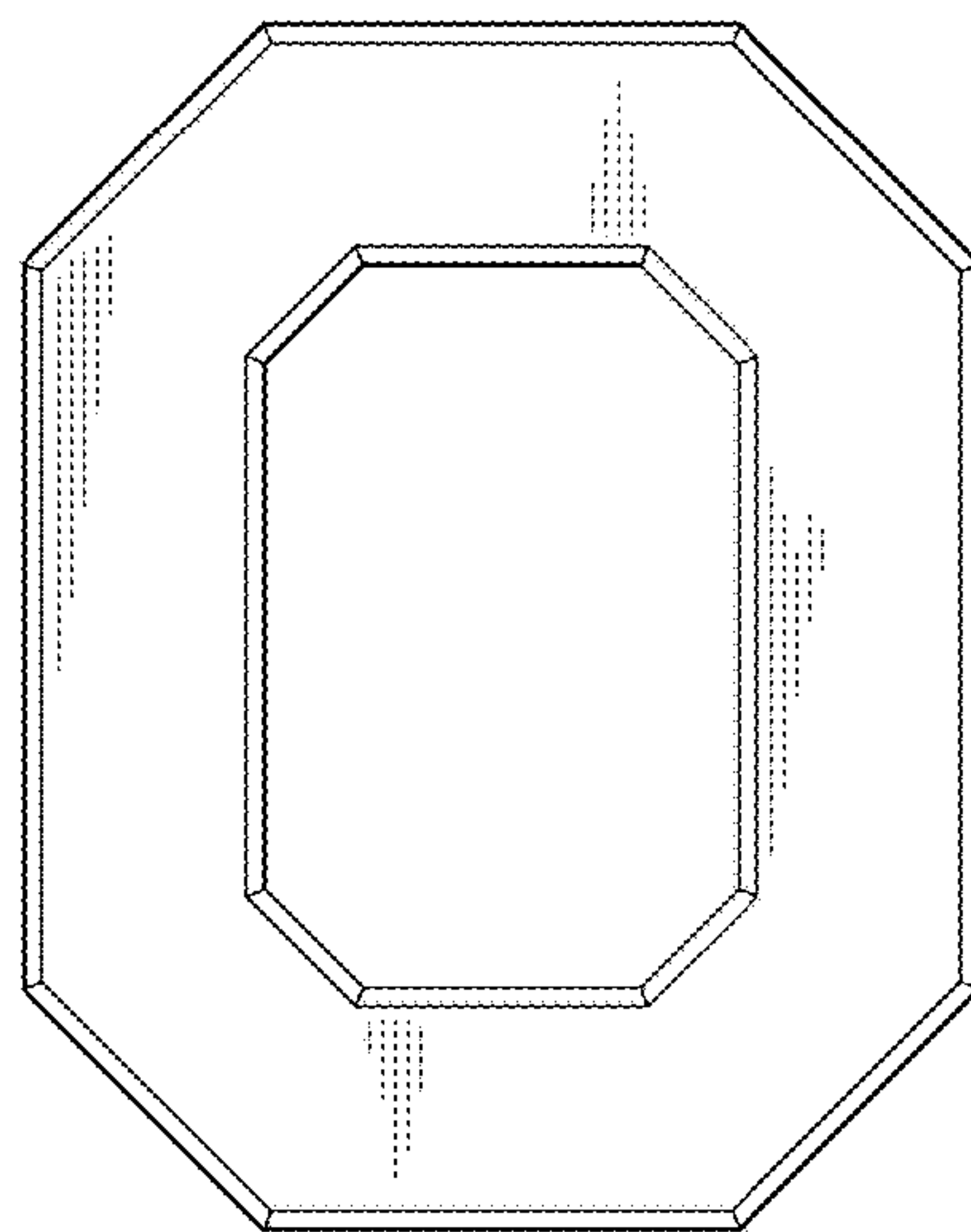


FIG. 3

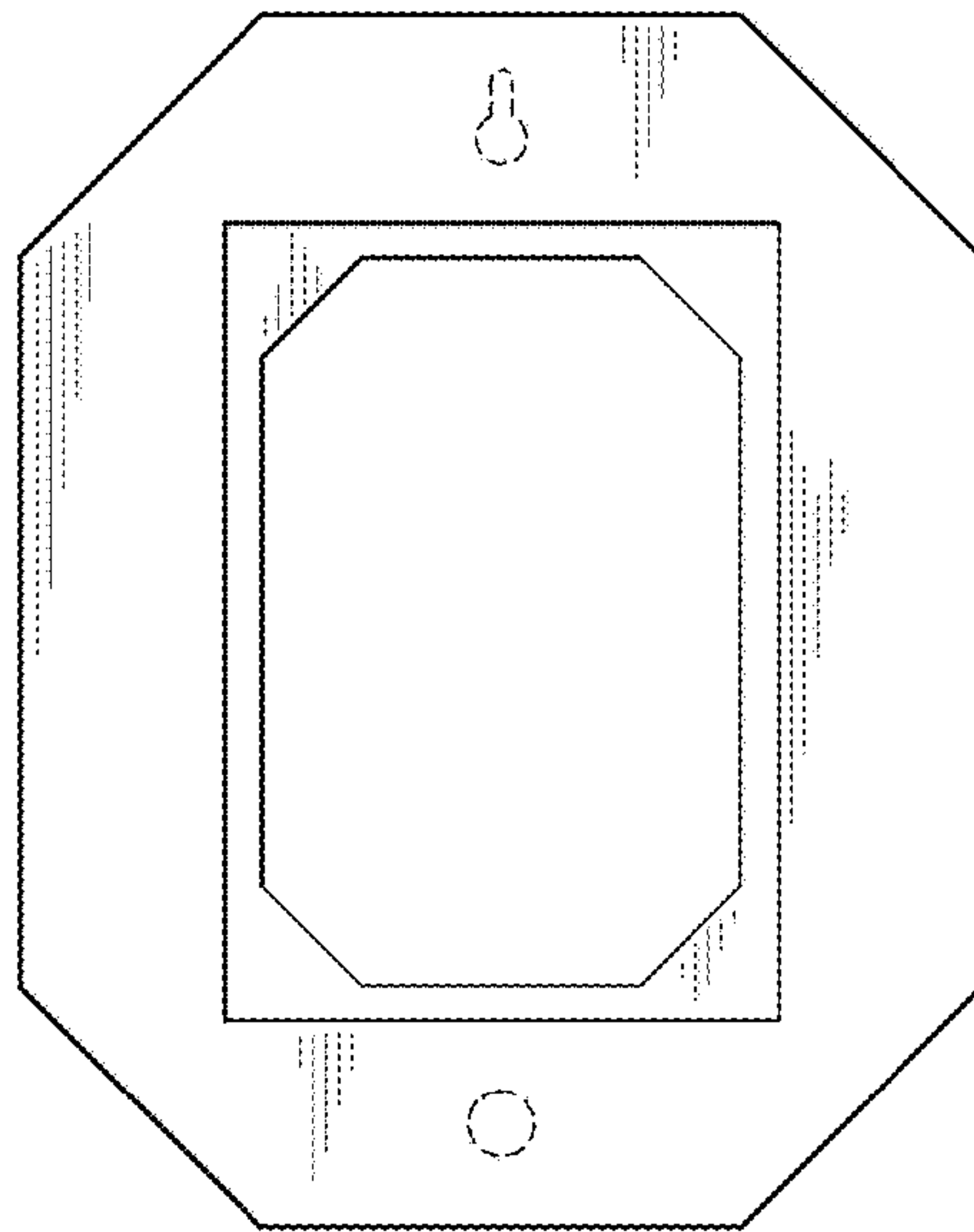


FIG. 4



FIG. 5



FIG. 6



FIG. 7