



US00D848742S

(12) **United States Design Patent** (10) **Patent No.:** **US D848,742 S**  
**Begg** (45) **Date of Patent:** **\*\* May 21, 2019**

(54) **SUITCASE HANDLE**  
(71) Applicant: **Iain Begg**, Hertfordshire (GB)  
(72) Inventor: **Iain Begg**, Hertfordshire (GB)  
(\*\*) Term: **15 Years**  
(21) Appl. No.: **29/638,340**  
(22) Filed: **Feb. 27, 2018**

(30) **Foreign Application Priority Data**  
Oct. 4, 2017 (EP) ..... 004385409  
(51) **LOC (11) Cl.** ..... **03-01**  
(52) **U.S. Cl.**  
USPC ..... **D3/318**  
(58) **Field of Classification Search**  
USPC ..... D3/318, 273, 285, 289  
CPC ... A45F 5/10; A45F 5/14; B65D 33/06; A45C  
1/02  
See application file for complete search history.

(56) **References Cited**  
**U.S. PATENT DOCUMENTS**  
D473,716 S \* 4/2003 Nykoluk ..... D3/318  
6,578,231 B1 \* 6/2003 Godshaw ..... A45F 5/10  
16/114.1  
6,591,951 B1 \* 7/2003 Chen ..... A45C 13/262  
16/113.1  
7,191,878 B2 \* 3/2007 Lu ..... A45C 13/262  
16/113.1  
D582,677 S \* 12/2008 Tong ..... D3/318  
7,467,696 B2 \* 12/2008 Wu ..... A45C 13/262  
16/113.1  
D607,645 S \* 1/2010 Wu ..... D3/318  
D744,238 S \* 12/2015 Lai ..... D3/318  
D771,948 S \* 11/2016 Bhatnagar ..... D3/318  
D795,587 S \* 8/2017 Jacob ..... D3/318  
D807,038 S \* 1/2018 Chen ..... D3/318  
D820,597 S \* 6/2018 Chen ..... D3/318

D827,304 S \* 9/2018 Tao ..... D3/318  
\* cited by examiner

*Primary Examiner* — Holly H Baynham  
(74) *Attorney, Agent, or Firm* — Richard A. Fagin

(57) **CLAIM**

The ornamental design for a suitcase handle, as shown and described.

**DESCRIPTION**

FIG. 1 is a side view of one side of the suitcase handle. The broken lines depict environment that forms no part of the claimed design.

FIG. 2 is a side view of the opposed side of the suitcase handle shown in FIG. 1.

FIG. 3 is top perspective view of the suitcase handle.

FIG. 4 is an end view of one end of the suitcase handle. The broken lines depict environment that forms no part of the claimed design.

FIG. 5 is an end view of one end of the suitcase handle. The broken lines depict environment that forms no part of the claimed design.

FIG. 6 is a perspective view of the suitcase handle partially opened. The broken lines depict environment that forms no part of the claimed design.

FIG. 7 is a top view of the suitcase handle partially opened.

FIG. 8 is a side view of the suitcase handle fully opened. The broken lines depict environment that forms no part of the claimed design.

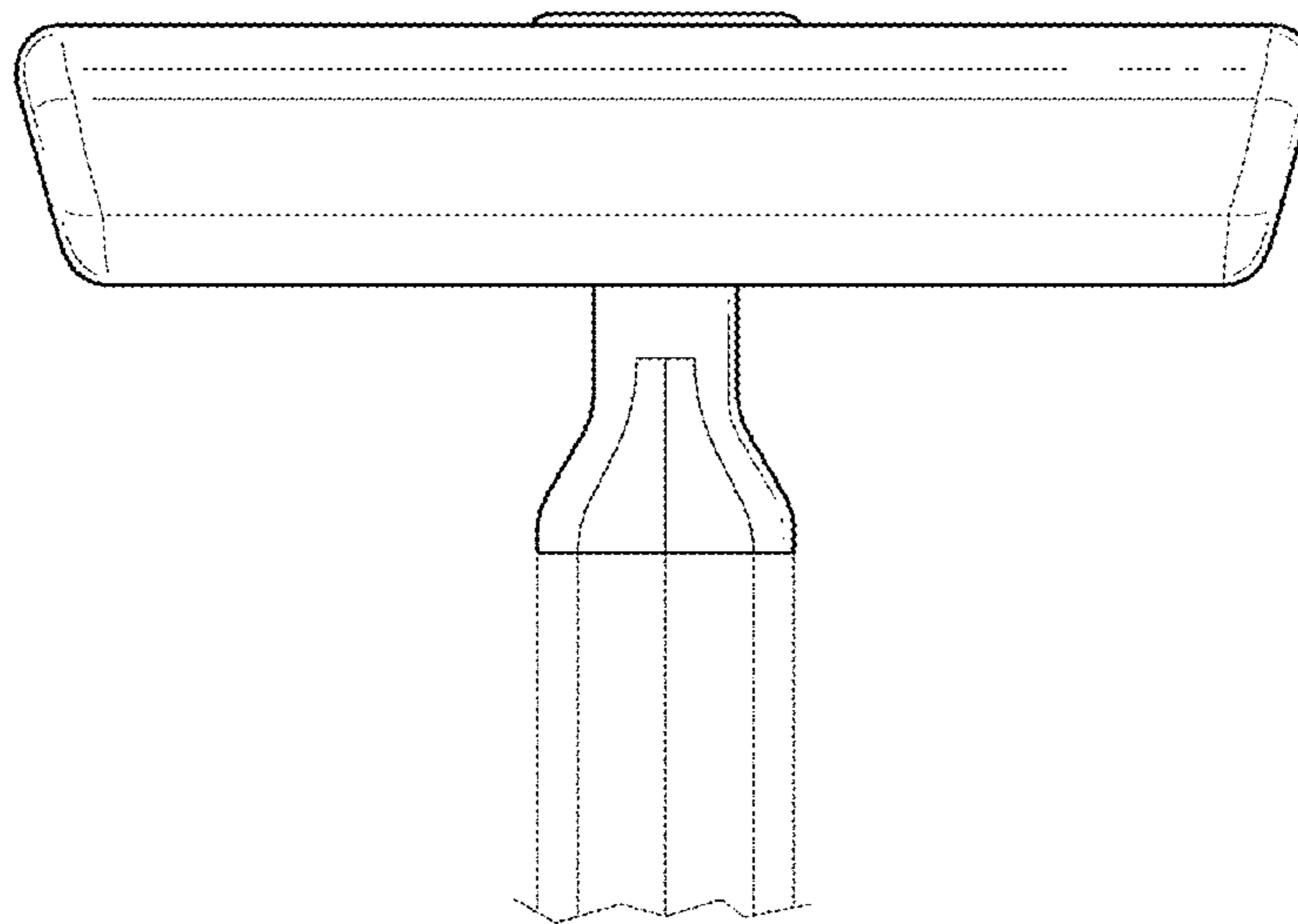
FIG. 9 is a perspective view of the suitcase handle fully opened. The broken lines depict environment that forms no part of the claimed design.

FIG. 10 is a top view of the suitcase handle fully opened; and,

FIG. 11 is a perspective view of the suitcase handle attached to a suitcase.

The broken lines depict environment that forms no part of the claimed design.

**1 Claim, 11 Drawing Sheets**



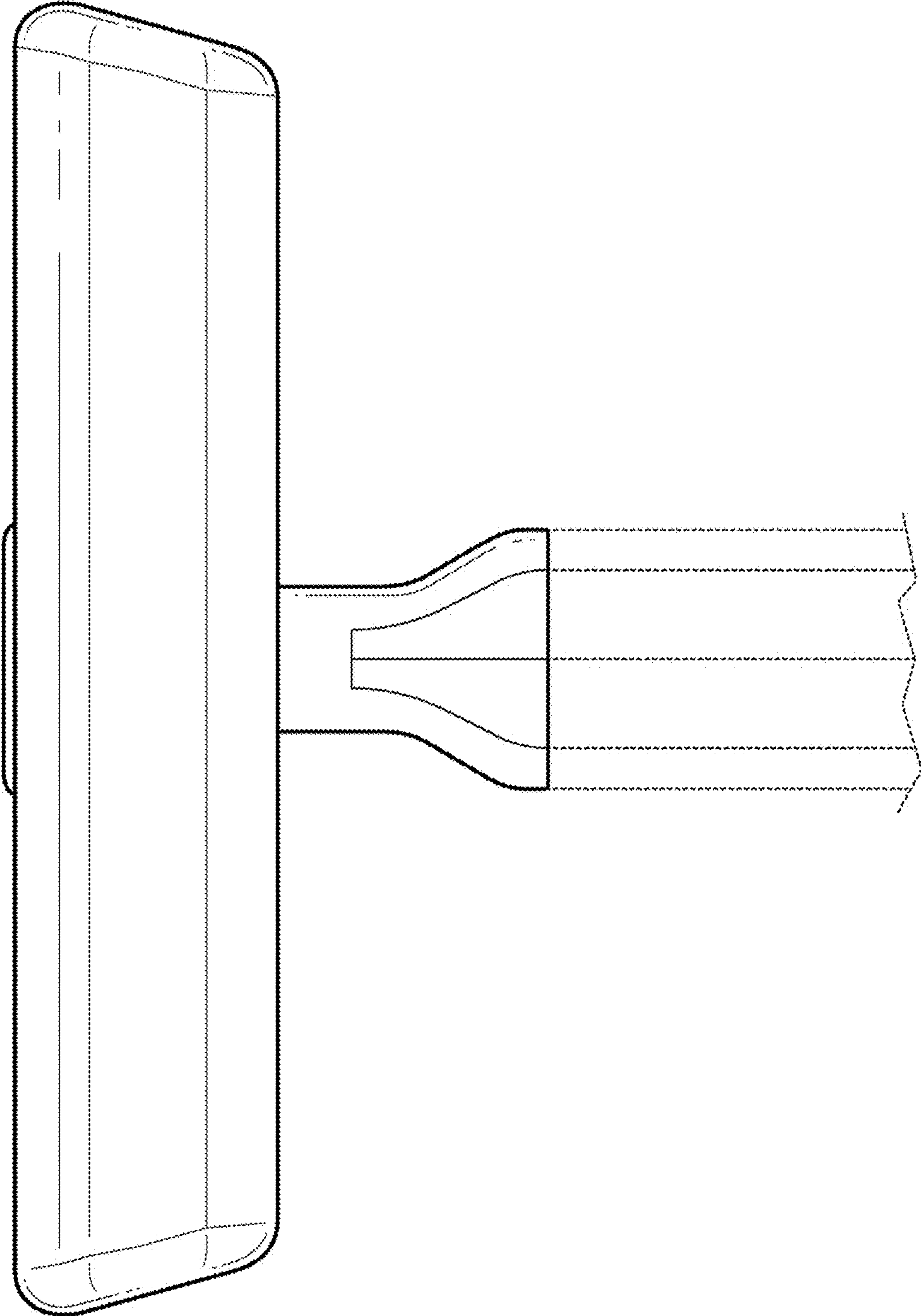


FIG. 1

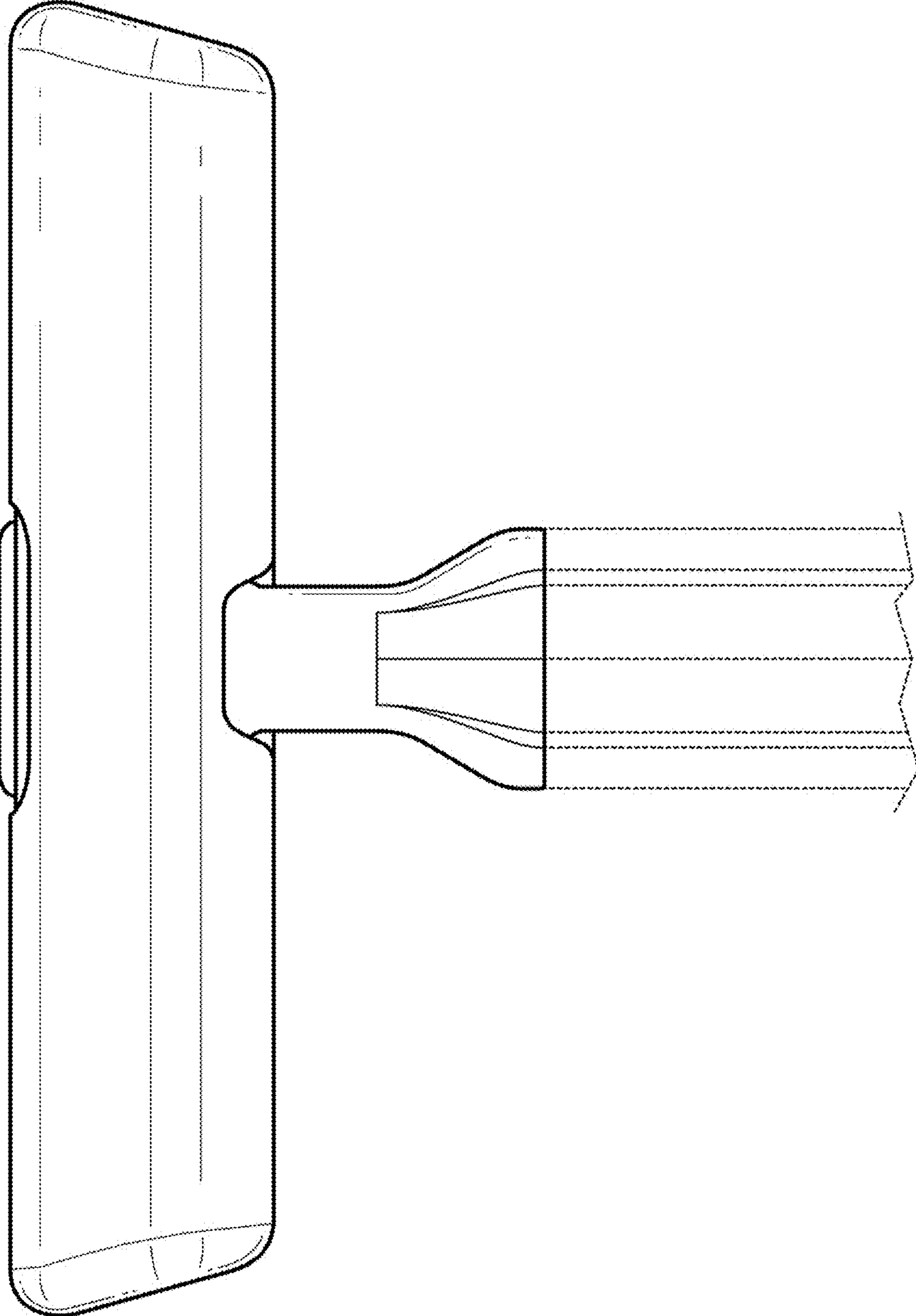


FIG. 2

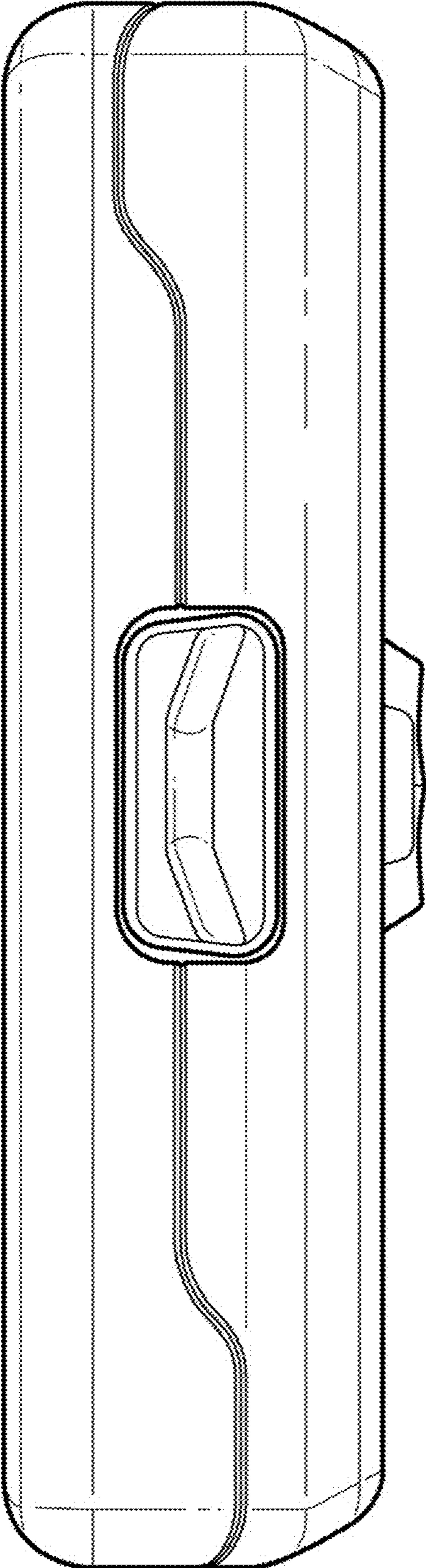


FIG. 3

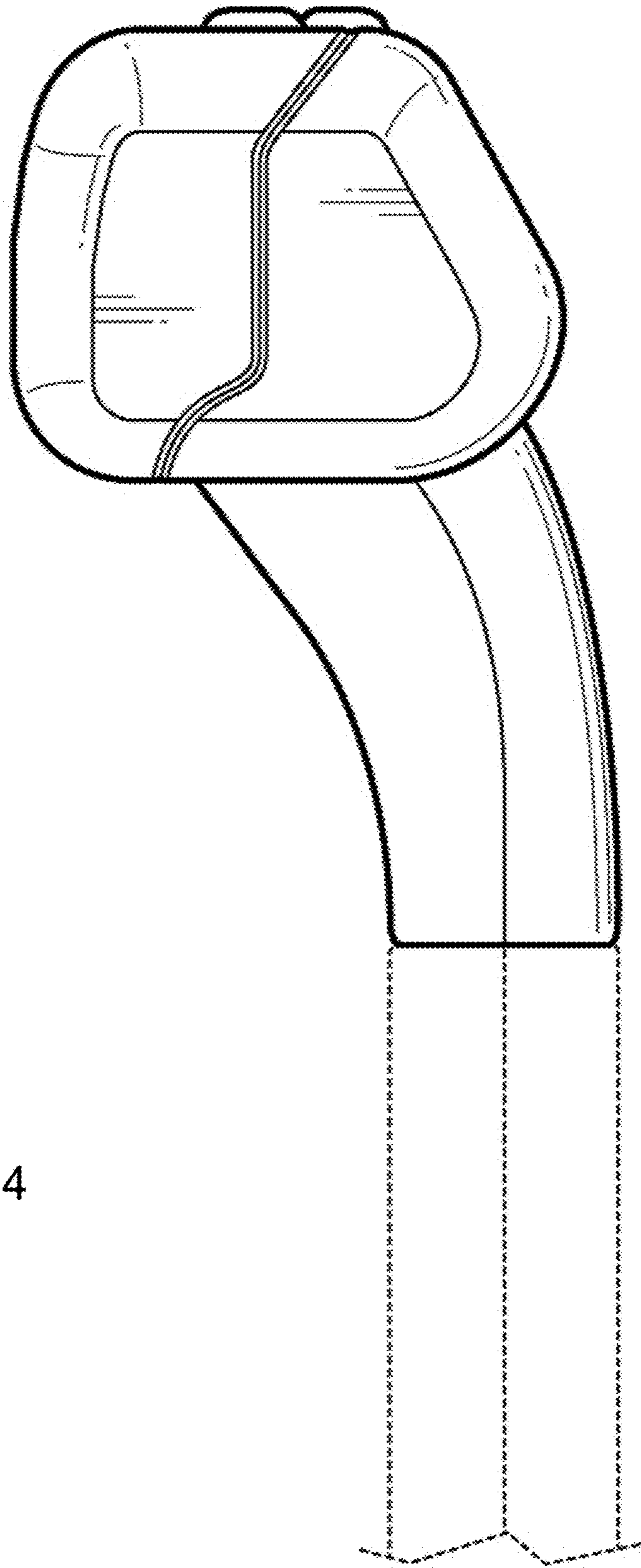


FIG. 4

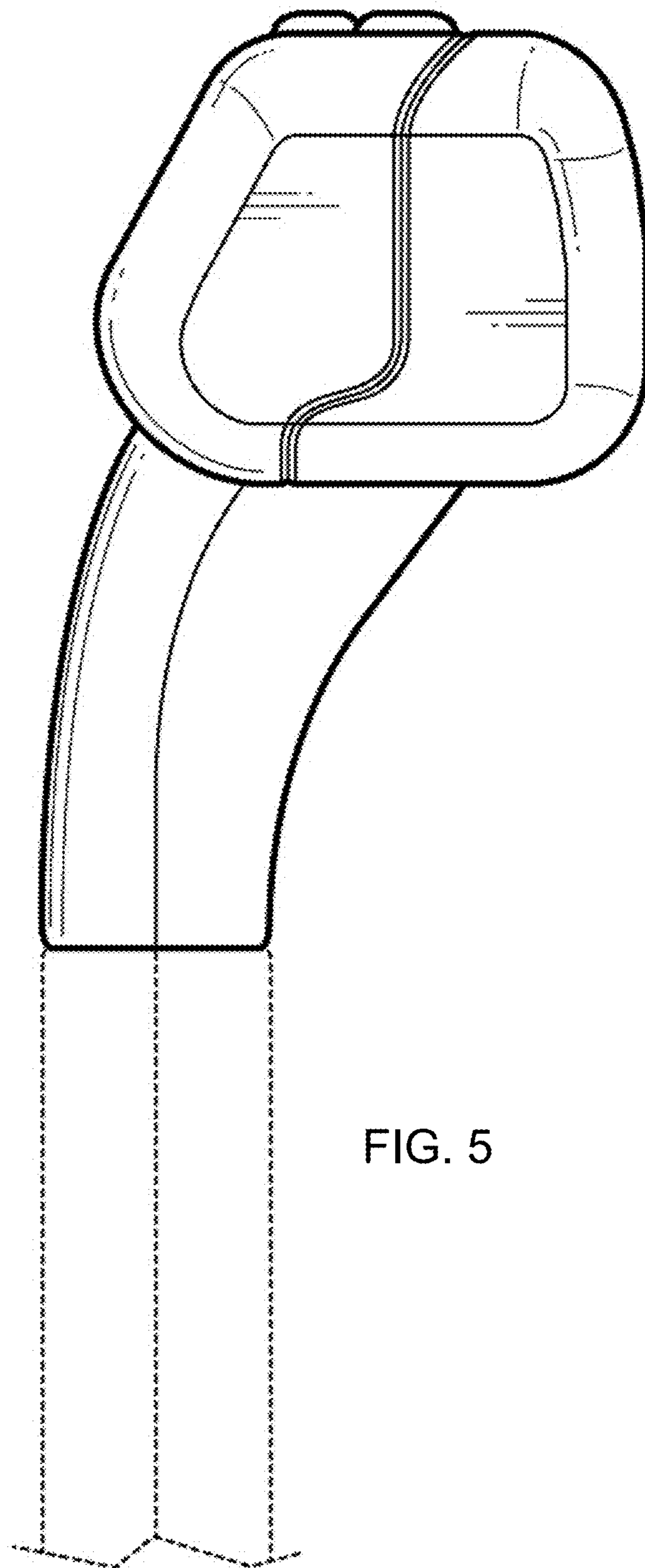


FIG. 5

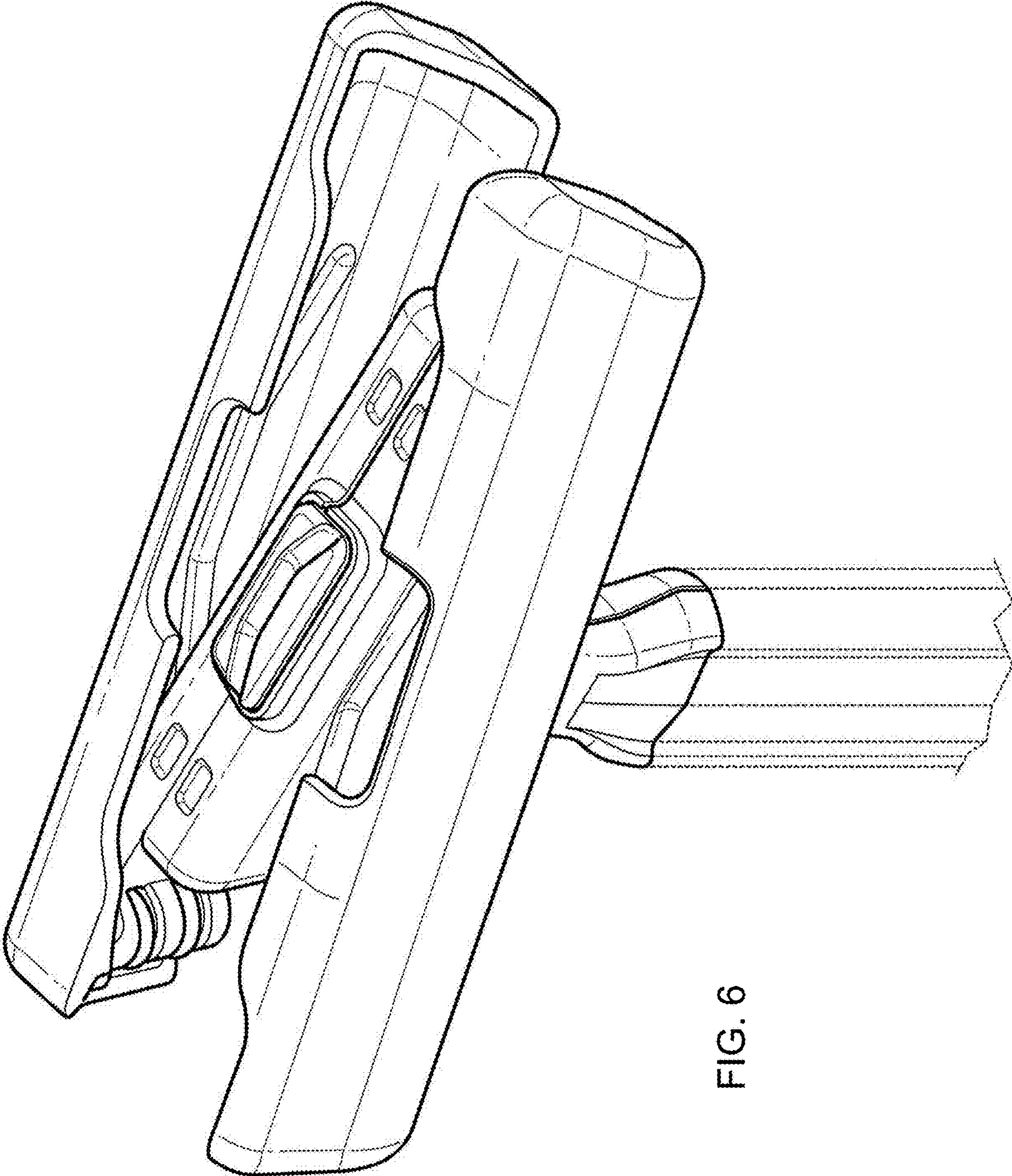


FIG. 6

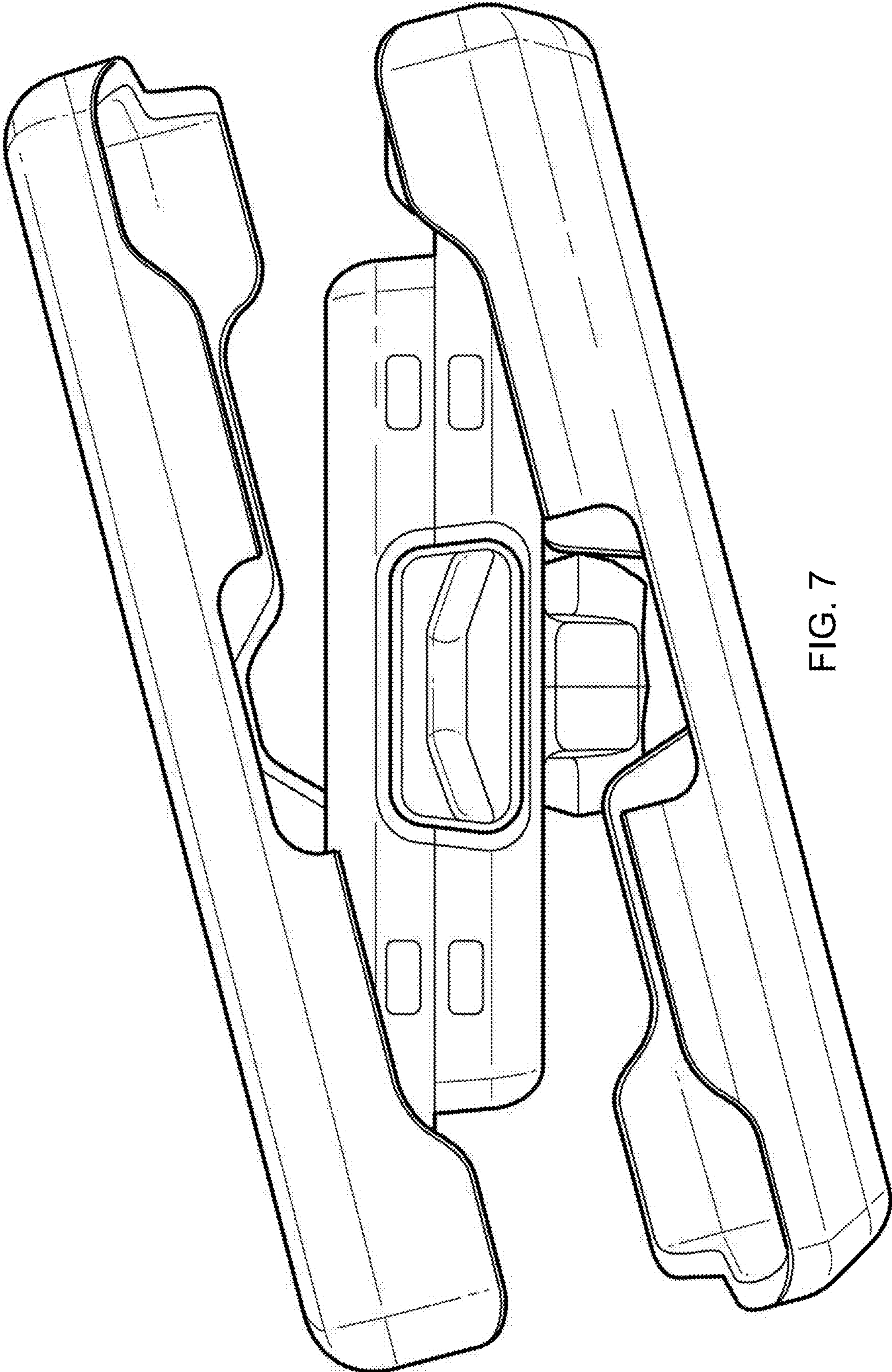


FIG. 7



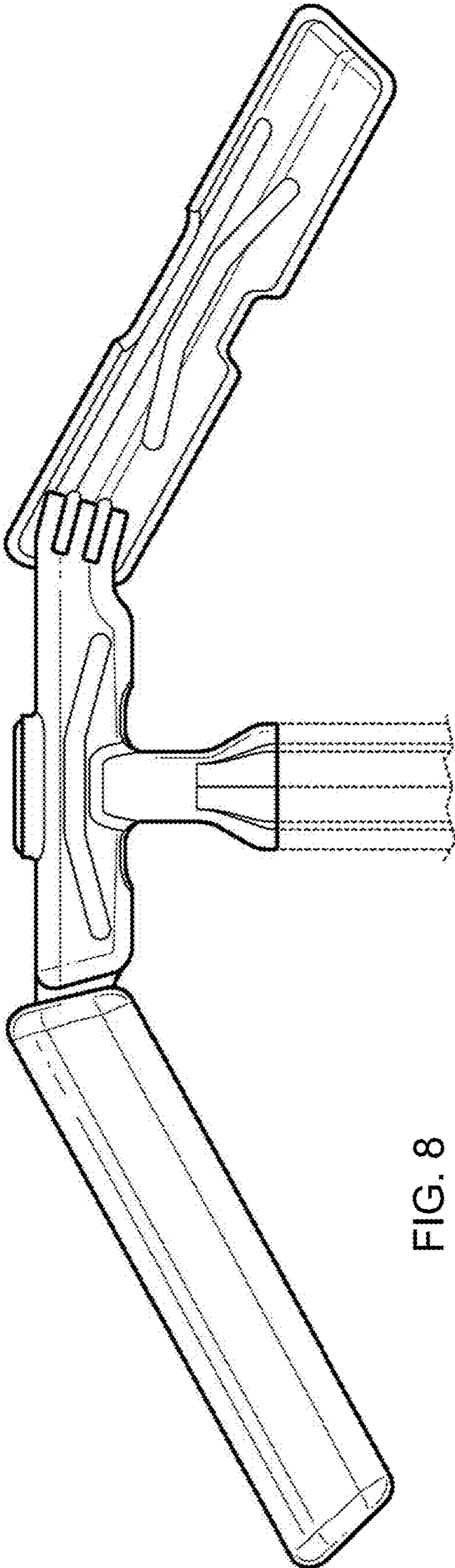


FIG. 8

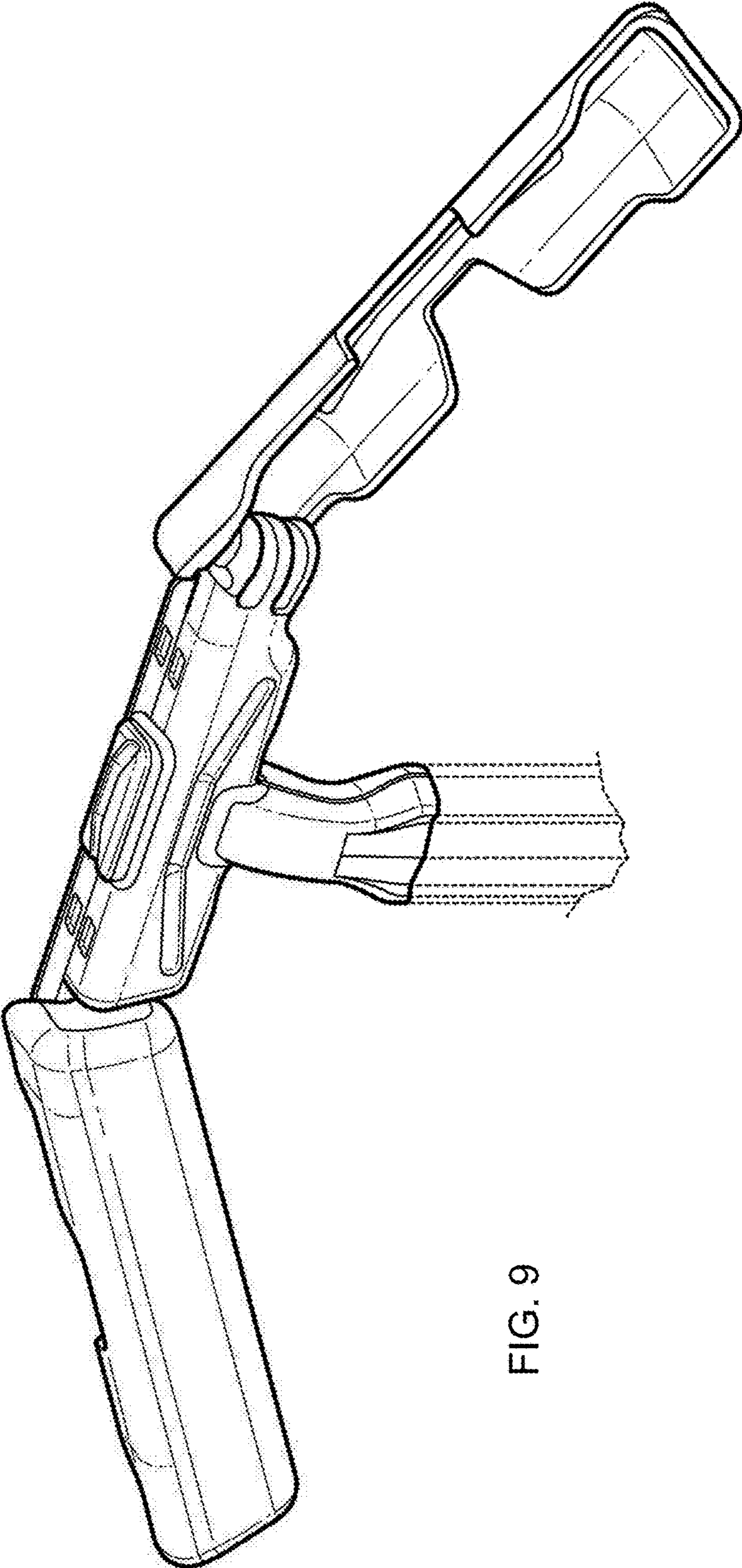


FIG. 9

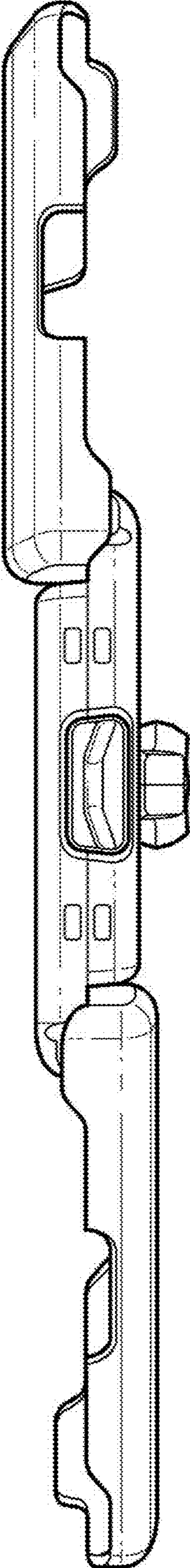


FIG. 10

FIG. 11

