



US00D848739S

(12) **United States Design Patent** (10) **Patent No.:** **US D848,739 S**  
**Hsu** (45) **Date of Patent:** **\*\* May 21, 2019**

(54) **CONTAINER**

(71) Applicant: **L&F PLASTICS, CO., LTD.**, Miaoli County (TW)

(72) Inventor: **Mu-Chuan Hsu**, Miaoli County (TW)

(73) Assignee: **L&F Plastic, Co., Ltd.**, Miaoli County (TW)

(\*\*) Term: **15 Years**

(21) Appl. No.: **29/671,682**

(22) Filed: **Nov. 29, 2018**

**Related U.S. Application Data**

(62) Division of application No. 29/580,147, filed on Oct. 6, 2016.

(30) **Foreign Application Priority Data**

Apr. 20, 2016 (TW) ..... 105302126  
Apr. 20, 2016 (TW) ..... 105302126 D01  
Apr. 20, 2016 (TW) ..... 105302126 D02

(51) **LOC (11) Cl.** ..... **03-01**

(52) **U.S. Cl.**  
USPC ..... **D3/297**

(58) **Field of Classification Search**

USPC ..... D3/20, 201, 272, 273, 276, 294-297,  
D3/304, 307; D9/414, 424, 430, 432,  
D9/433; 206/419, 505, 507, 511, 518,  
206/559, 509, 506, 373, 501, 823;  
220/373, 553, 759, 506, 802, 822, 4.25  
CPC ... A47B 67/04; A47B 87/0284; A47B 88/413;  
B65D 1/22; B65D 1/34; B65D 1/40;  
B65D 15/02; B65D 21/00; B65D  
21/0219; B25H 3/02; A47J 47/14

See application file for complete search history.

(56) **References Cited**

U.S. PATENT DOCUMENTS

D283,959 S 5/1986 Sun  
D360,778 S 8/1995 Apt, III et al.  
5,680,957 A 10/1997 Liu  
6,186,328 B1 2/2001 Apps  
6,328,178 B1 12/2001 Hsu  
6,619,769 B1 9/2003 Hammonds et al.  
D502,812 S 3/2005 Zimmerman  
D518,708 S 4/2006 Ohayon  
D537,713 S 3/2007 Limber  
D555,159 S 11/2007 Cox et al.

(Continued)

OTHER PUBLICATIONS

Hot product multifunction Drawer plastic storage organizer box, available Nov. 20, 2018, [online], [site visited Nov. 20, 2018]. Available from internet, <URL: [https://taiwankeyway.en.alibaba.com/product/60542595252-802861798/Hot\\_product\\_multifunction\\_Drawer\\_plastic\\_storage\\_organizer\\_box.html](https://taiwankeyway.en.alibaba.com/product/60542595252-802861798/Hot_product_multifunction_Drawer_plastic_storage_organizer_box.html) (Year: 2018).

(Continued)

*Primary Examiner* — Cathron C Brooks

*Assistant Examiner* — W. A. Teddy Falloway

(74) *Attorney, Agent, or Firm* — Alan D. Kamrath; Kamrath IP Lawfirm, P.A.

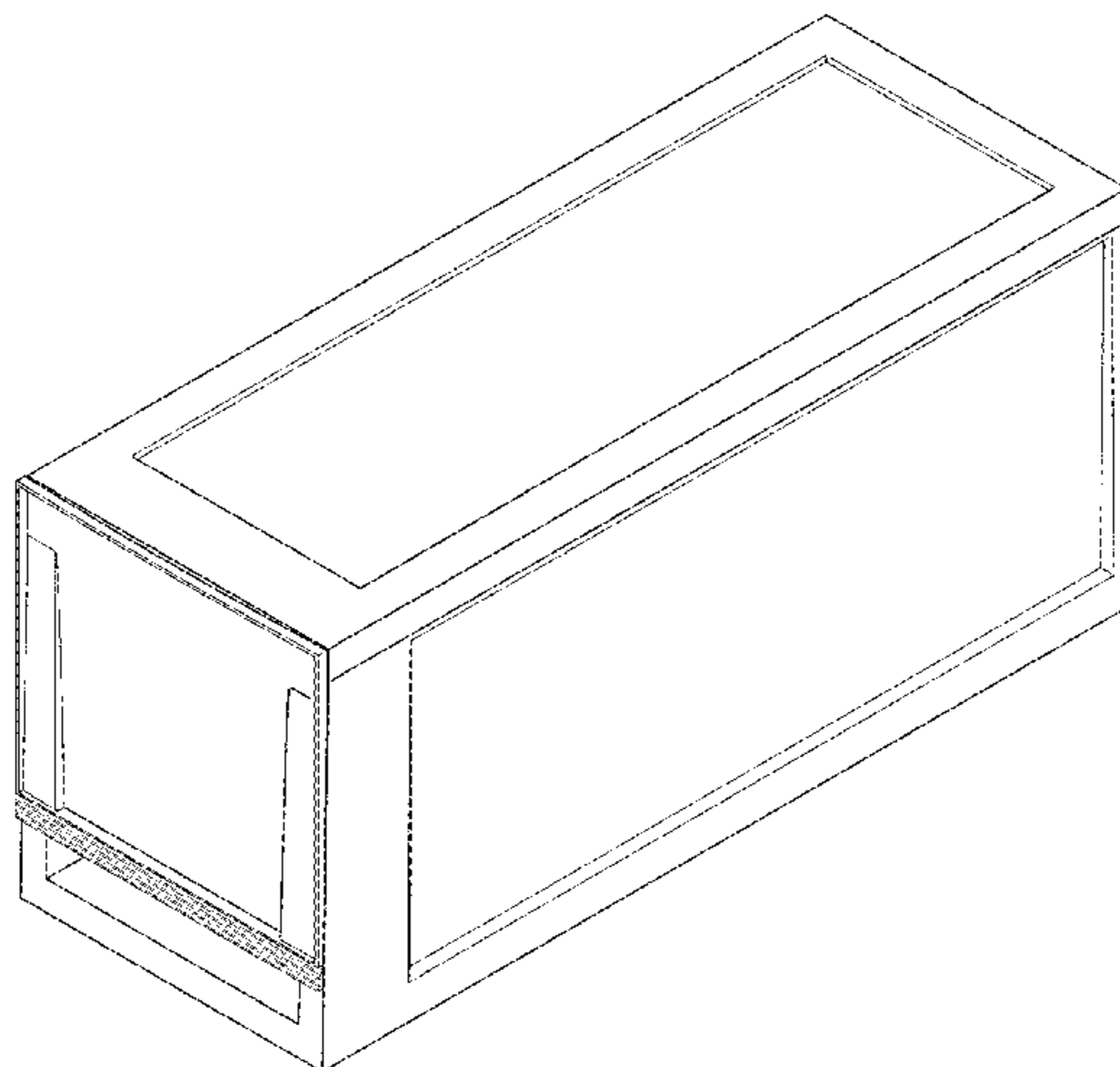
(57) **CLAIM**

The ornamental design for a container, as shown and described.

**DESCRIPTION**

FIG. 1 is a perspective view of a container showing my new design;  
FIG. 2 is a front view thereof;  
FIG. 3 is a rear view thereof;  
FIG. 4 is a left view thereof;  
FIG. 5 is a right view thereof;  
FIG. 6 is a top plan view thereof; and,  
FIG. 7 is a bottom plan view thereof.  
The broken lines illustrate portions of the container that form no part of the claimed design.

**1 Claim, 5 Drawing Sheets**



(56)

**References Cited**

U.S. PATENT DOCUMENTS

8,091,706 B2 1/2012 Koefeld  
 D701,699 S 4/2014 Bonacina et al.  
 D740,026 S 10/2015 Yamamoto  
 D740,027 S 10/2015 Yamamoto  
 D740,563 S 10/2015 Yamamoto  
 D771,272 S 11/2016 Hart  
 D778,608 S 2/2017 Hsu  
 D785,326 S 5/2017 Yamamoto  
 D785,328 S 5/2017 Yamamoto  
 D785,329 S 5/2017 Yamamoto  
 D785,330 S 5/2017 Yamamoto  
 D785,331 S 5/2017 Yamamoto  
 2002/0109442 A1 8/2002 Hsu  
 2004/0149753 A1 8/2004 Schafer  
 2005/0122008 A1 6/2005 Atwood  
 2005/0168115 A1 8/2005 Moon et al.  
 2007/0080614 A1 4/2007 Stein  
 2007/0257587 A1 11/2007 Jackson  
 2011/0114528 A1 5/2011 Hirz

2013/0193825 A1 8/2013 Betesh  
 2015/0274362 A1 10/2015 Christopher et al.  
 2016/0272369 A1 9/2016 Hsu  
 2018/0194513 A1 7/2018 Yamamoto

OTHER PUBLICATIONS

Storage case Fits, available Jun. 13, 2011, [online], [site visited May 11, 2018]. Available from internet, <URL: [https://review.rakuten.co.jp/item/1/222208\\_10005441/4.1/](https://review.rakuten.co.jp/item/1/222208_10005441/4.1/) (Year: 2011).  
 Fine steed (TEN MA) Fitz case storage case, available Nov. 20, 2018, [online], [site visited Nov. 20, 2018]. Available from internet, <URL: <https://global.rakuten.com/en/store/e-kurashi/item/xc875/> (Year:2018).  
 Tenma Tianma Nicole 3525 Drawer type storage box, available Nov. 20, 2018, [online], [site visited Nov. 20, 2018]. Available from internet, <URL: <https://www.chinahao.com/product/554787205103/> (Year: 2018).  
 Tenma Japan Tenma drawer plastic storage box, available May 11, 2018, [online], [site visited May 11, 2018]. Available from internet, < URL: [http://img.aliocdn.com/imgextra/i1/1623802917/TB2VYR4oJnJ8KJjSszdXXaxuFXa\\_1l1623802917.jpg](http://img.aliocdn.com/imgextra/i1/1623802917/TB2VYR4oJnJ8KJjSszdXXaxuFXa_1l1623802917.jpg) (Year: 2018).

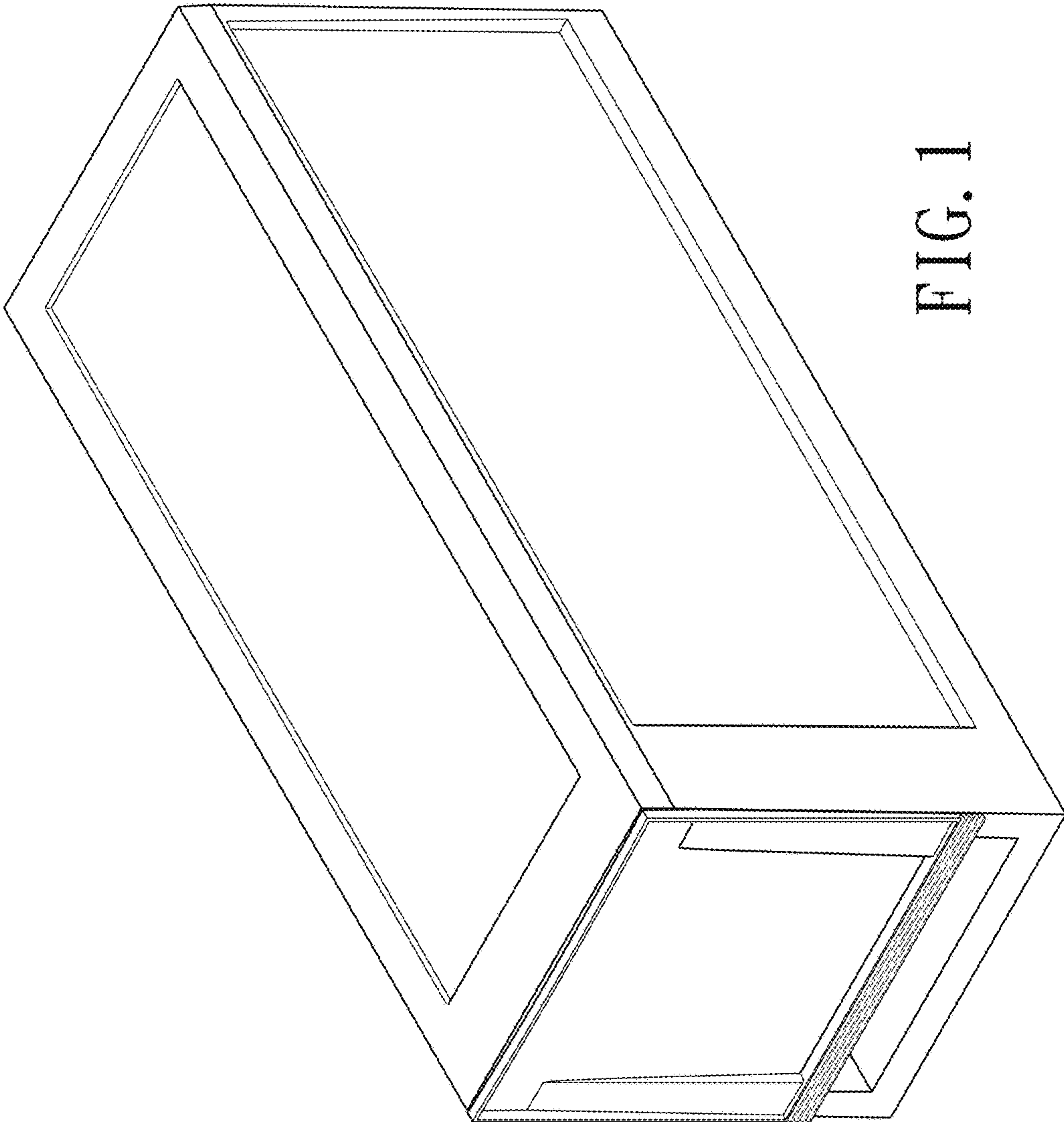


FIG. 1

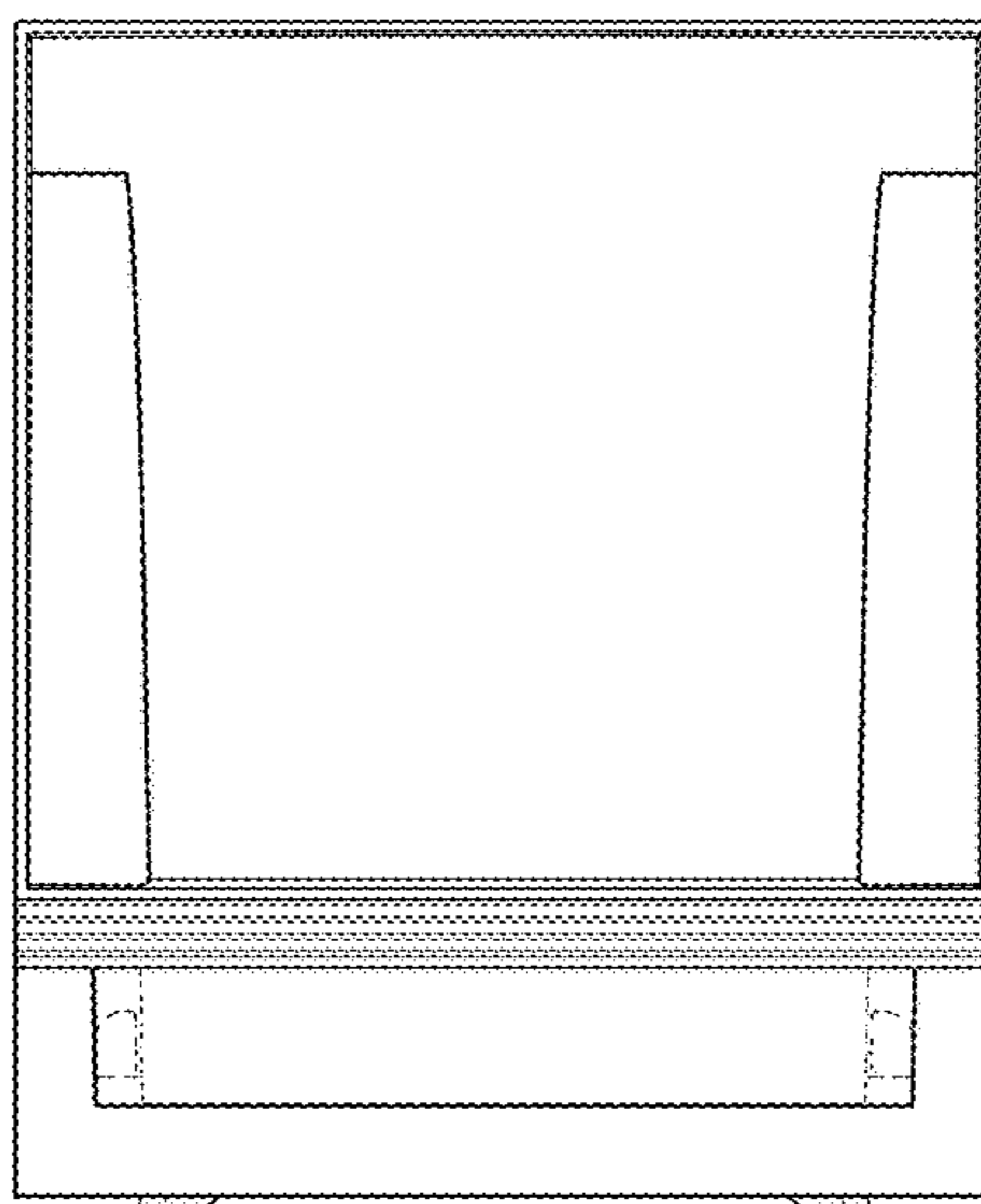


FIG. 2

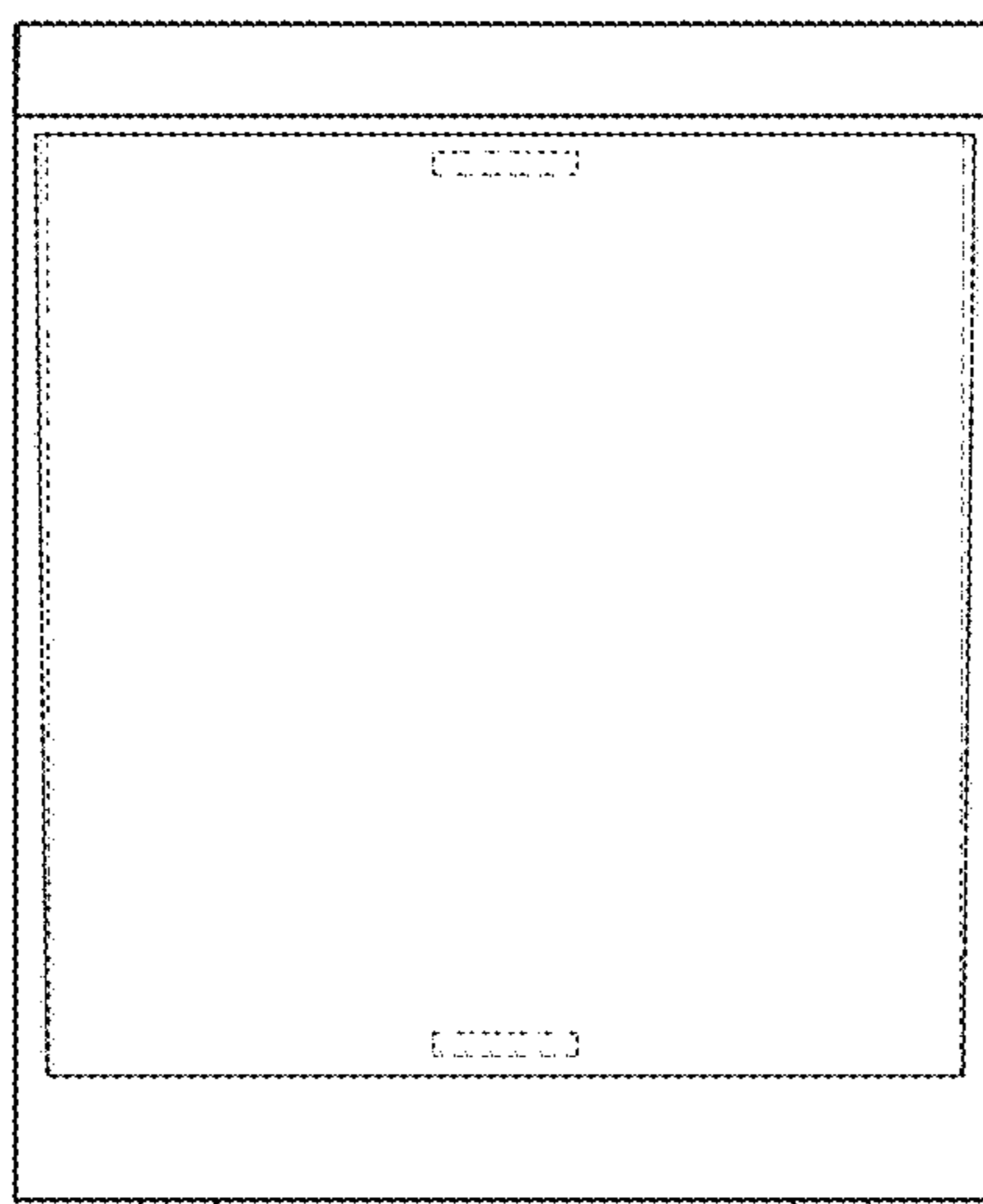


FIG. 3

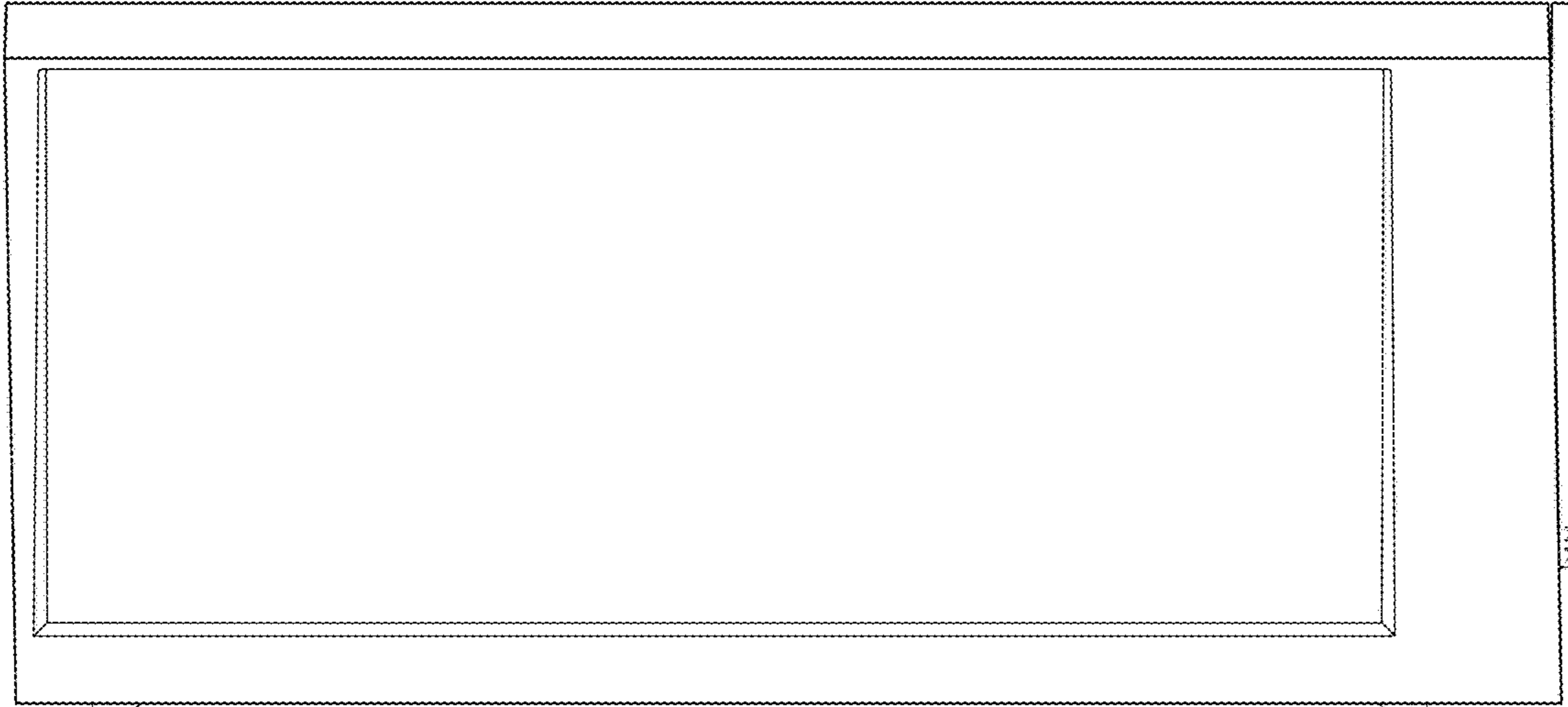


FIG. 4

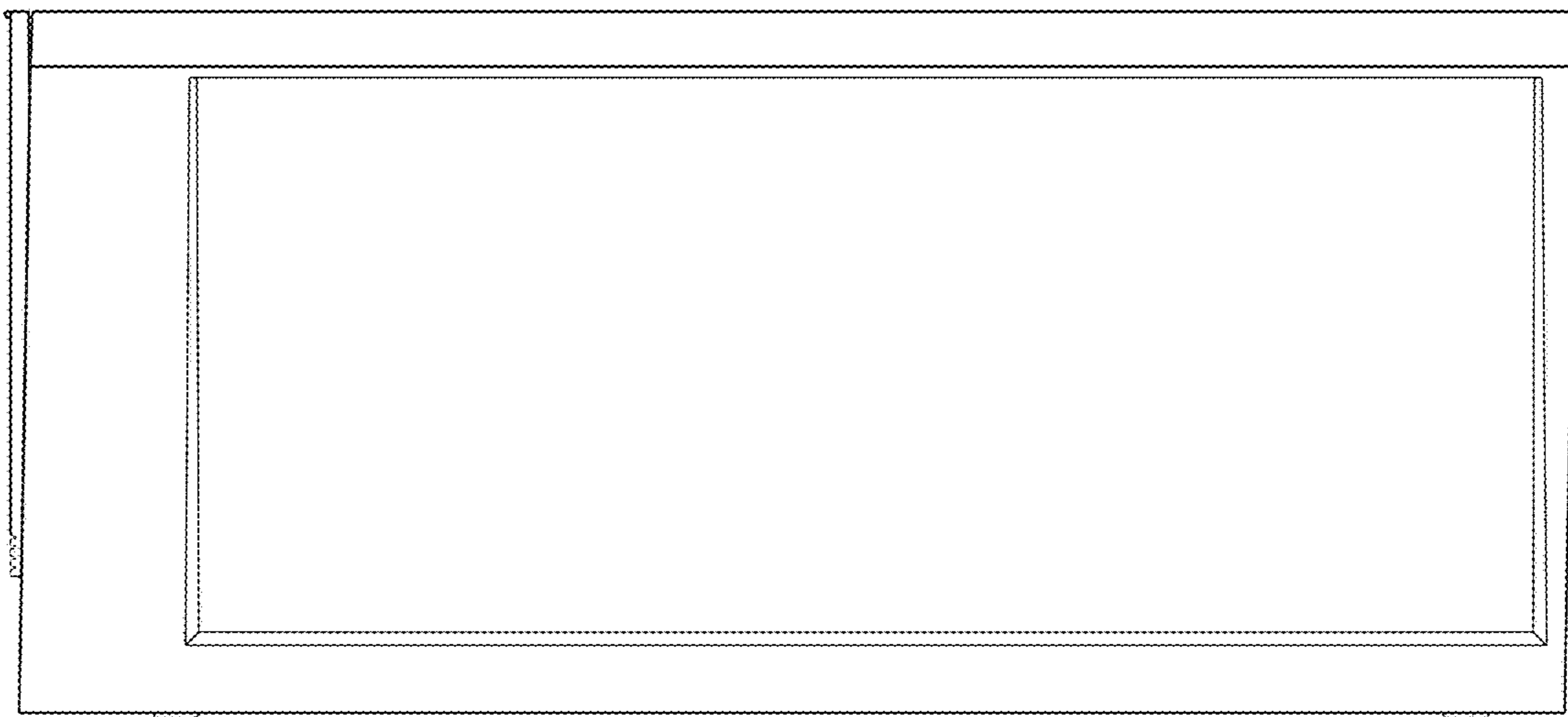


FIG. 5

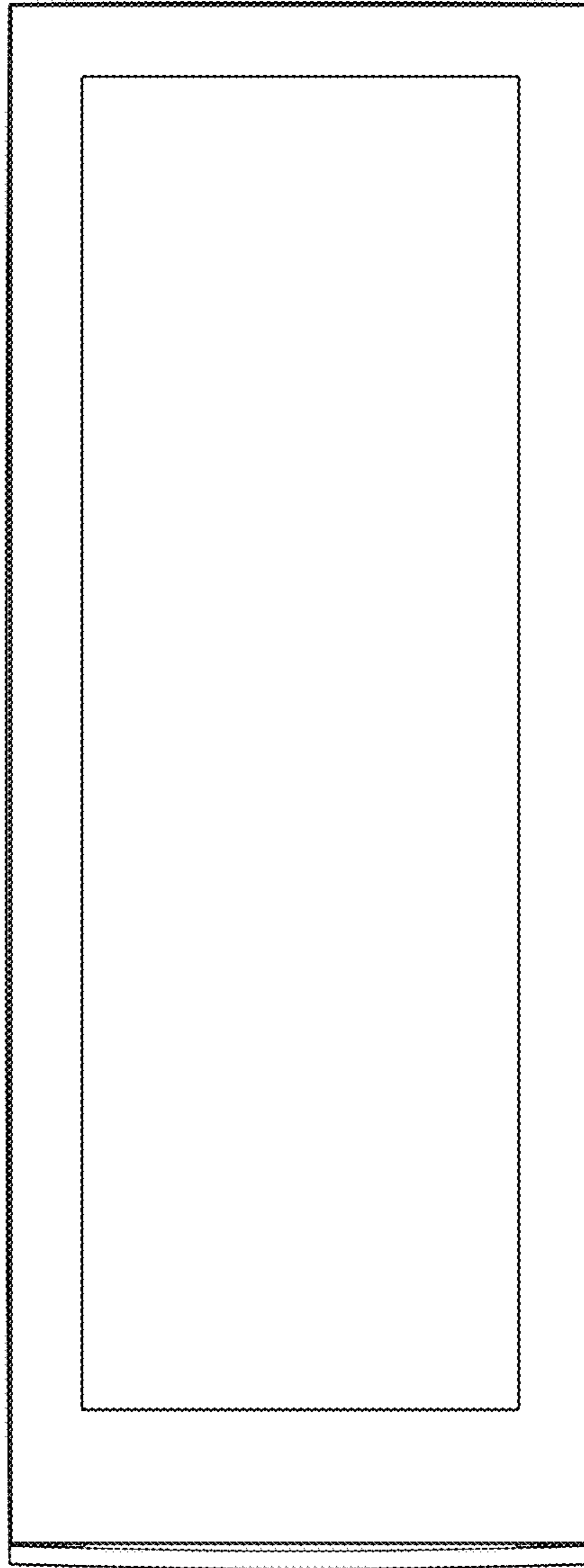


FIG. 6

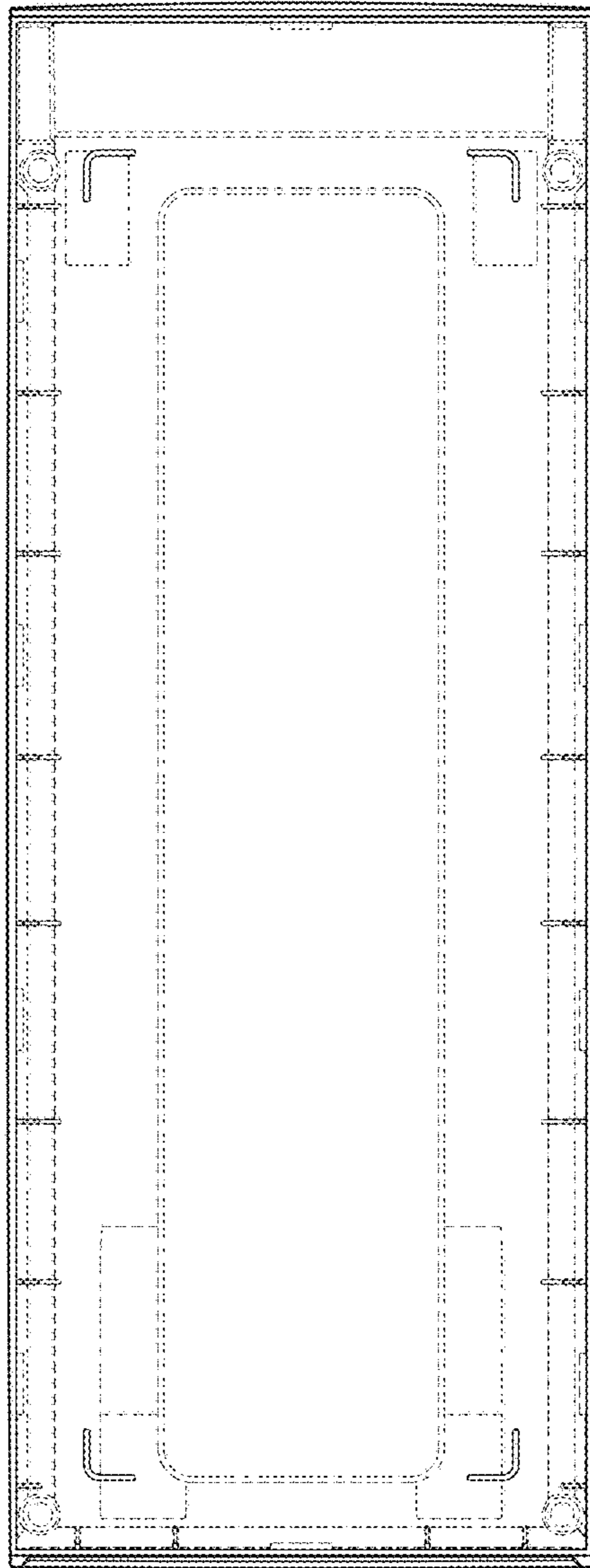


FIG. 7