

US00D848736S

(12) **United States Design Patent** (10) **Patent No.:** **US D848,736 S**  
**Munoz** (45) **Date of Patent:** **\*\* May 21, 2019**

(54) **TWO PART MODULAR GARMENT BAG**

- (71) Applicant: **Alfredo Munoz**, Jersey City, NJ (US)
- (72) Inventor: **Alfredo Munoz**, Jersey City, NJ (US)
- (\*\*) Term: **15 Years**
- (21) Appl. No.: **29/607,116**
- (22) Filed: **Jun. 9, 2017**

**Related U.S. Application Data**

- (63) Continuation-in-part of application No. 15/454,255, filed on Mar. 9, 2017, which is a continuation-in-part of application No. 14/675,983, filed on Apr. 1, 2015, now Pat. No. 9,648,933.
- (51) **LOC (11) Cl.** ..... **03-01**
- (52) **U.S. Cl.**  
USPC ..... **D3/278; D3/299; D3/902**
- (58) **Field of Classification Search**  
USPC ..... D3/273, 274, 276, 279, 281, 282, 284, D3/289, 902, 278, 290, 299  
CPC .. A45C 3/00; A45C 3/004; A45C 5/00; A45C 5/03; A45C 2005/037; A45C 5/04; A45C 2200/15; A45C 5/14; A45C 11/26; A45C 13/10  
See application file for complete search history.

(56) **References Cited**

**U.S. PATENT DOCUMENTS**

- 1,730,898 A 10/1929 Percival
- 2,362,807 A 11/1943 Dresner
- 2,383,389 A \* 8/1945 Illion ..... B65D 75/04  
206/278
- 2,502,033 A 3/1950 Bohn  
(Continued)

**FOREIGN PATENT DOCUMENTS**

- GB 2493218 1/2013
- JP H0532285 2/1993

**OTHER PUBLICATIONS**

Men's Wearhouse, "SkyRoll Roll Up Garment Bag", First reviewed as early as Jan. 11, 2014. (<https://www.menswearhouse.com/mens-clothing-accessories/luggage/skyroll-roll-up-garment-bag-890800>).\*

(Continued)

*Primary Examiner* — Jennifer Rivard  
*Assistant Examiner* — April Rivas

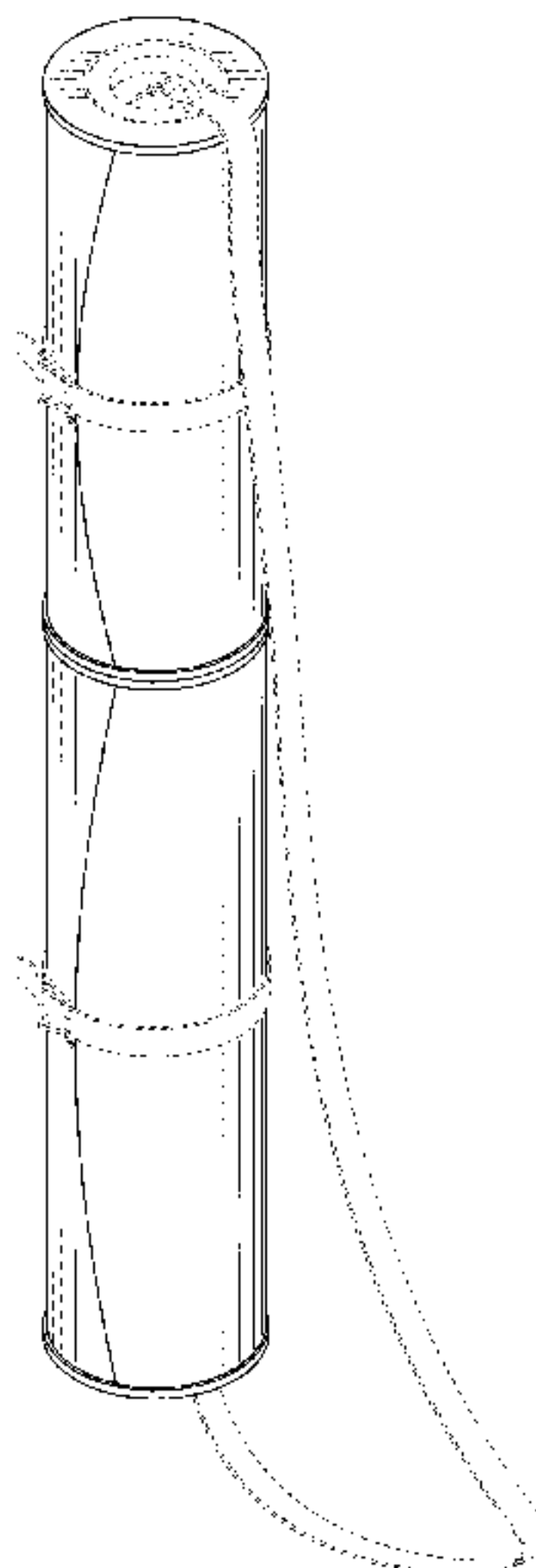
(57) **CLAIM**

The ornamental design for a two part modular garment bag, as shown and described.

**DESCRIPTION**

FIG. 1 is a top perspective view from the front and right side of the two part modular garment bag showing my new design, showing the design in an assembled position;  
 FIG. 2 is an elevational view of the front of the present invention;  
 FIG. 3 is an elevational view of the back of the present invention;  
 FIG. 4 is an elevational view of the left side of the present invention;  
 FIG. 5 is an elevational view of the right side of the present invention;  
 FIG. 6 is a plan view of the top thereof;  
 FIG. 7 is a plan view of the bottom thereof;  
 FIG. 8 is an exploded perspective view from the front and right side of the present invention; and,  
 FIG. 9 is a perspective view of the bottom module in an extended configuration, illustrating the folded appearance of the module is a result of rolling a sheet of material that selectively receives a garment. The smaller top module is not shown for convenience of illustration.  
 The broken lines illustrating clothing in FIG. 9 represent environment. The remaining broken lines illustrate portions of the two part modular garment bag. None of the broken lines form part of the claimed design.

**1 Claim, 7 Drawing Sheets**



(56)

References Cited

U.S. PATENT DOCUMENTS

2,661,570 A 12/1953 Corley  
 3,061,057 A 10/1962 Miller  
 3,621,991 A 11/1971 Richter  
 3,728,003 A 4/1973 Bohannon  
 D248,337 S \* 6/1978 Marx ..... D3/284  
 4,170,282 A 10/1979 Chwartzstein  
 4,361,947 A 12/1982 Arnaud  
 4,596,340 A 6/1986 Luther  
 4,890,873 A 1/1990 Prada et al.  
 D342,380 S \* 12/1993 Hoffman ..... D3/276  
 5,624,026 A \* 4/1997 Chernoff ..... A45C 11/26  
 190/110  
 5,887,711 A \* 3/1999 McAuliffe ..... A45C 3/004  
 206/278  
 D411,662 S \* 6/1999 Carter ..... D3/279  
 5,964,741 A 10/1999 Moder et al.  
 D431,905 S \* 10/2000 McCormack ..... D3/273  
 6,161,692 A 12/2000 Lizarraga  
 D476,151 S 6/2003 Peterson  
 6,595,356 B1 7/2003 Homoly  
 D478,726 S \* 8/2003 Masso ..... D3/260  
 7,007,322 B2 3/2006 Alane  
 7,604,102 B2 10/2009 Albritton  
 7,976,088 B1 7/2011 Diciolla

8,287,020 B1 10/2012 Guerin  
 D688,042 S \* 8/2013 King ..... D3/276  
 9,648,933 B2 5/2017 Munoz  
 D788,464 S \* 6/2017 Jin ..... D3/300  
 D793,717 S \* 8/2017 Boljat ..... D3/205  
 D797,448 S \* 9/2017 Schartle ..... D3/289  
 2005/0103790 A1 \* 5/2005 Masso ..... A45C 13/10  
 220/315  
 2010/0147714 A1 \* 6/2010 Andochick ..... A63B 55/00  
 206/315.8  
 2012/0255879 A1 10/2012 Gillespie  
 2014/0061258 A1 3/2014 Van der Laan  
 2014/0337621 A1 11/2014 Nakhimov  
 2015/0144237 A1 5/2015 Salibri  
 2016/0286915 A1 \* 10/2016 Munoz ..... A45C 7/009  
 2017/0119121 A1 \* 5/2017 Munoz ..... A45C 3/001  
 2017/0354222 A1 \* 12/2017 Wolfe ..... A45C 13/38

OTHER PUBLICATIONS

Rollor, "Rollor Premium", First accessed Dec. 18, 2017. (<https://www.rollor.com/product/rollor-premium/>).\*  
 International search report and written opinion for International (PCT) Patent Application No. PCT/US16/23882, dated Jul. 26, 2016, 13 pages.

\* cited by examiner

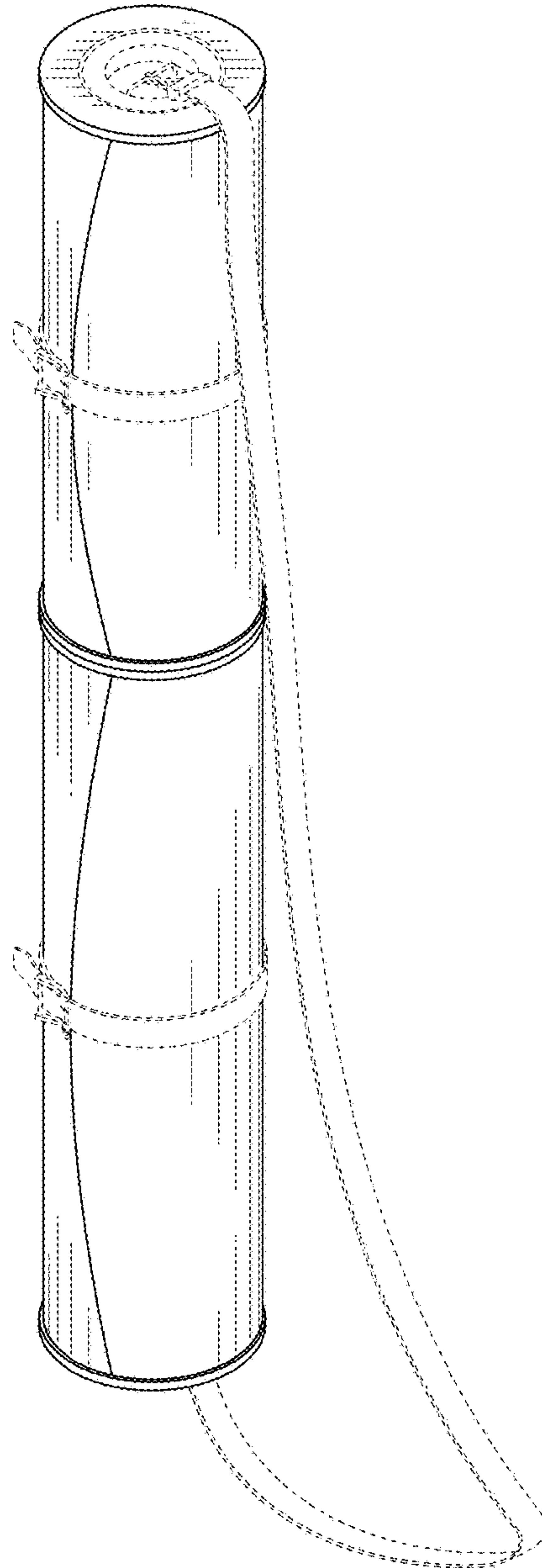


FIG. 1

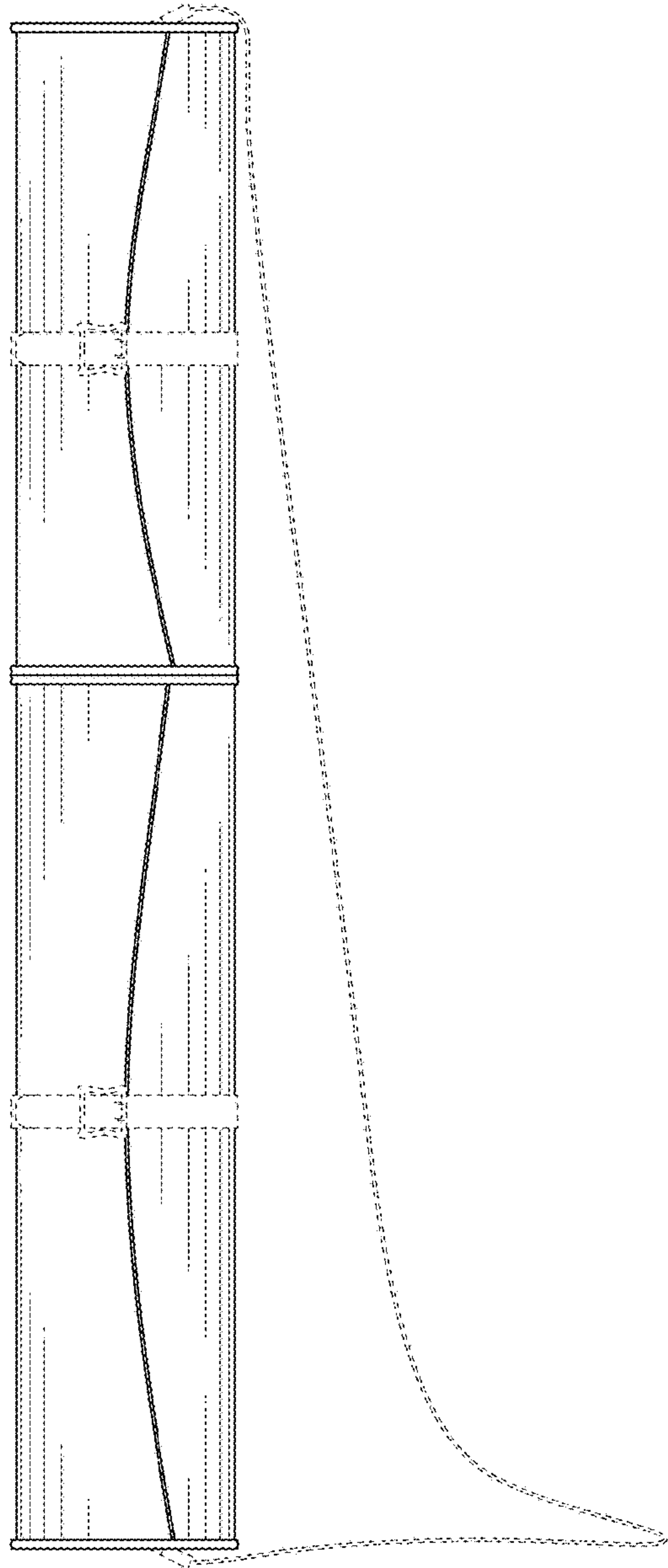


FIG. 2

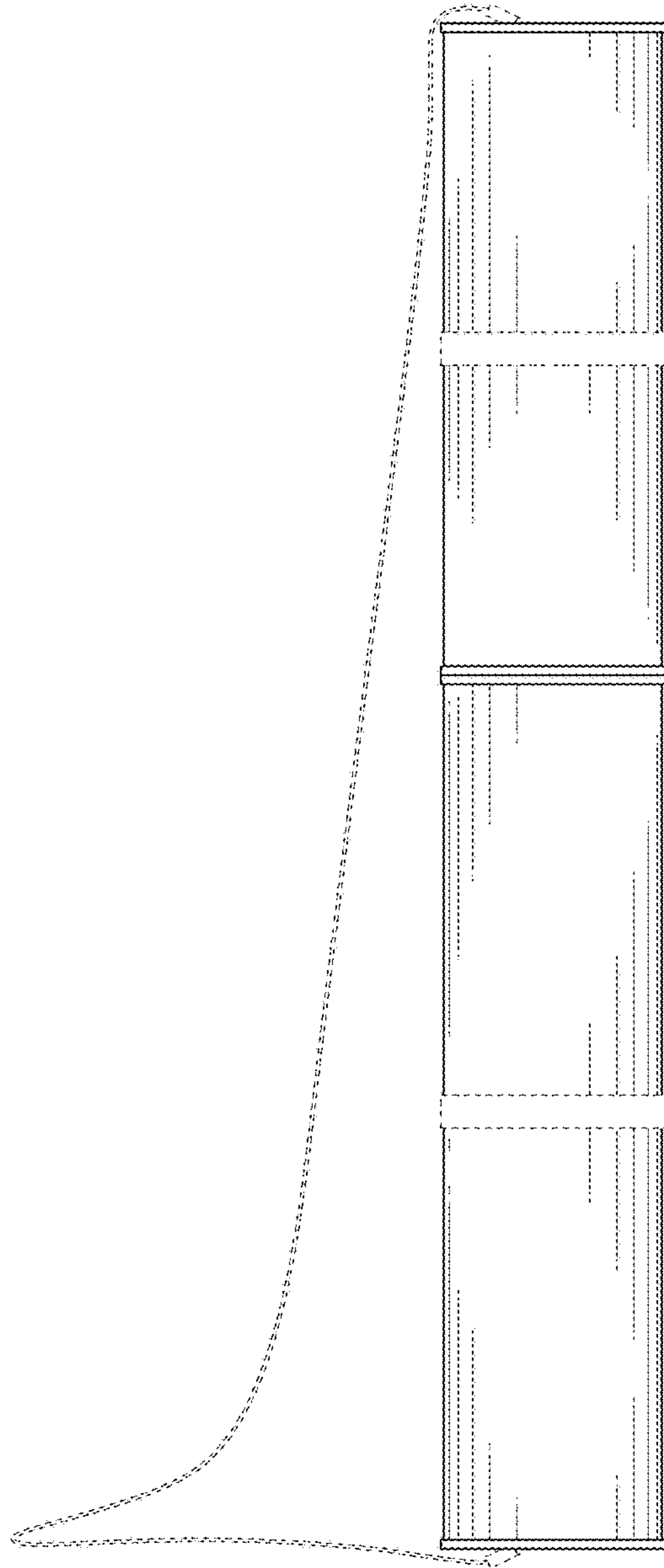


FIG. 3



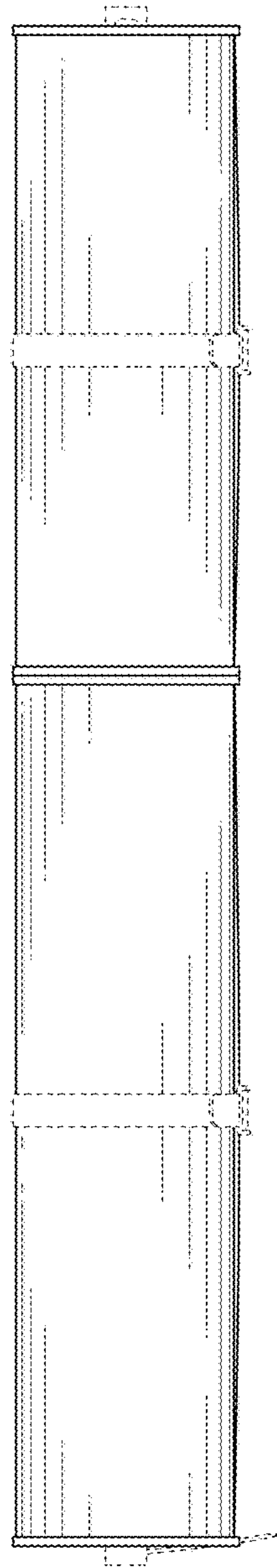


FIG. 4

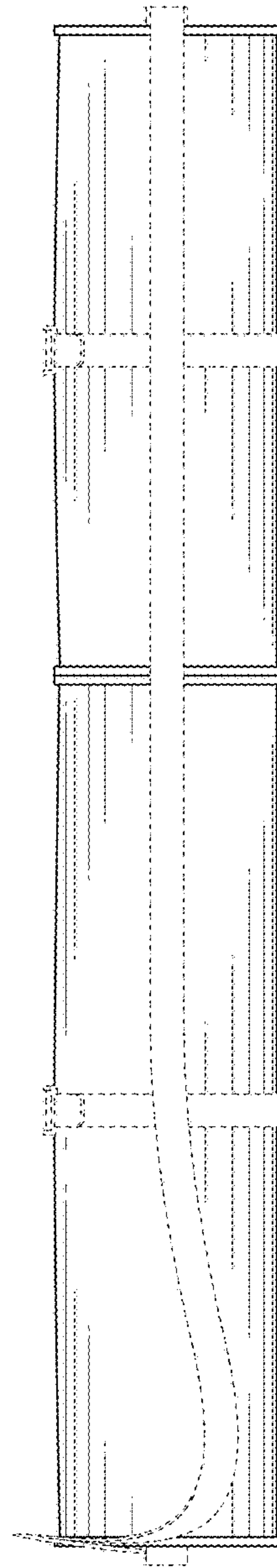


FIG. 5

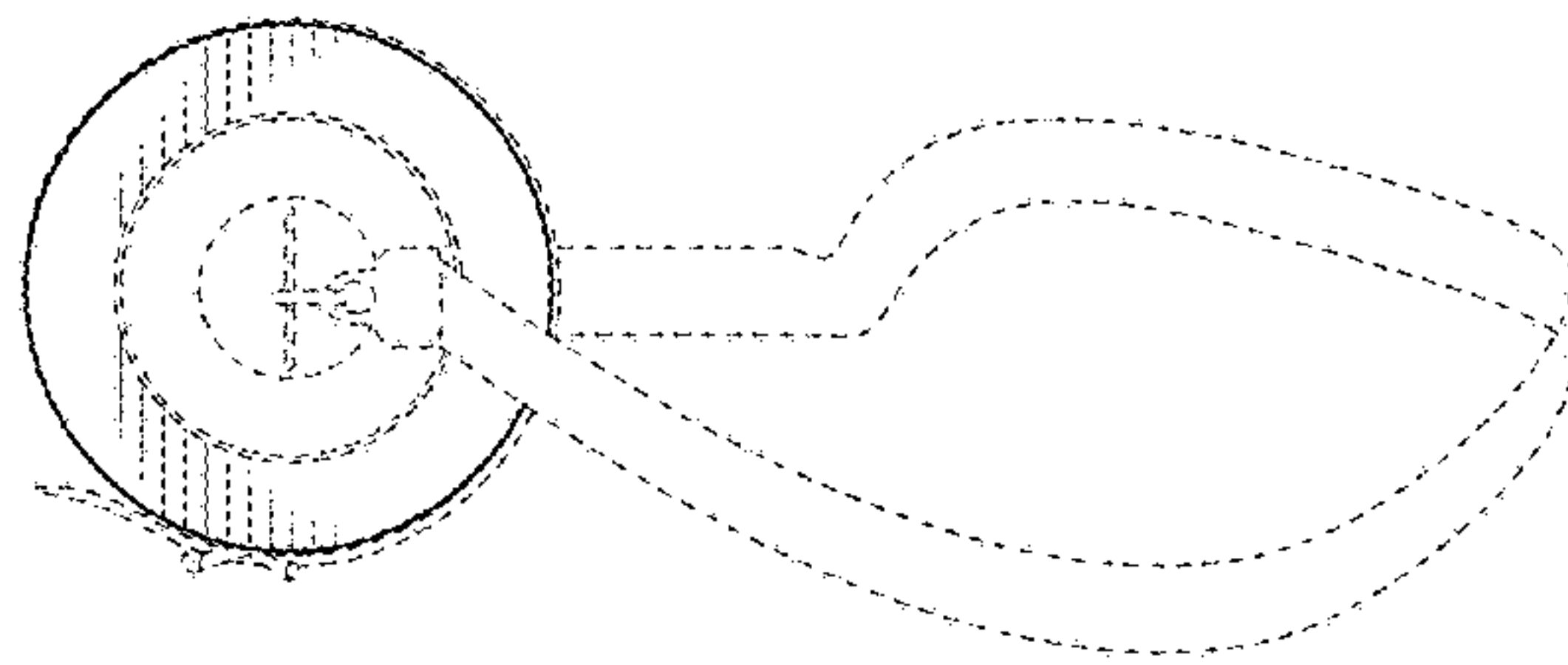


FIG. 6

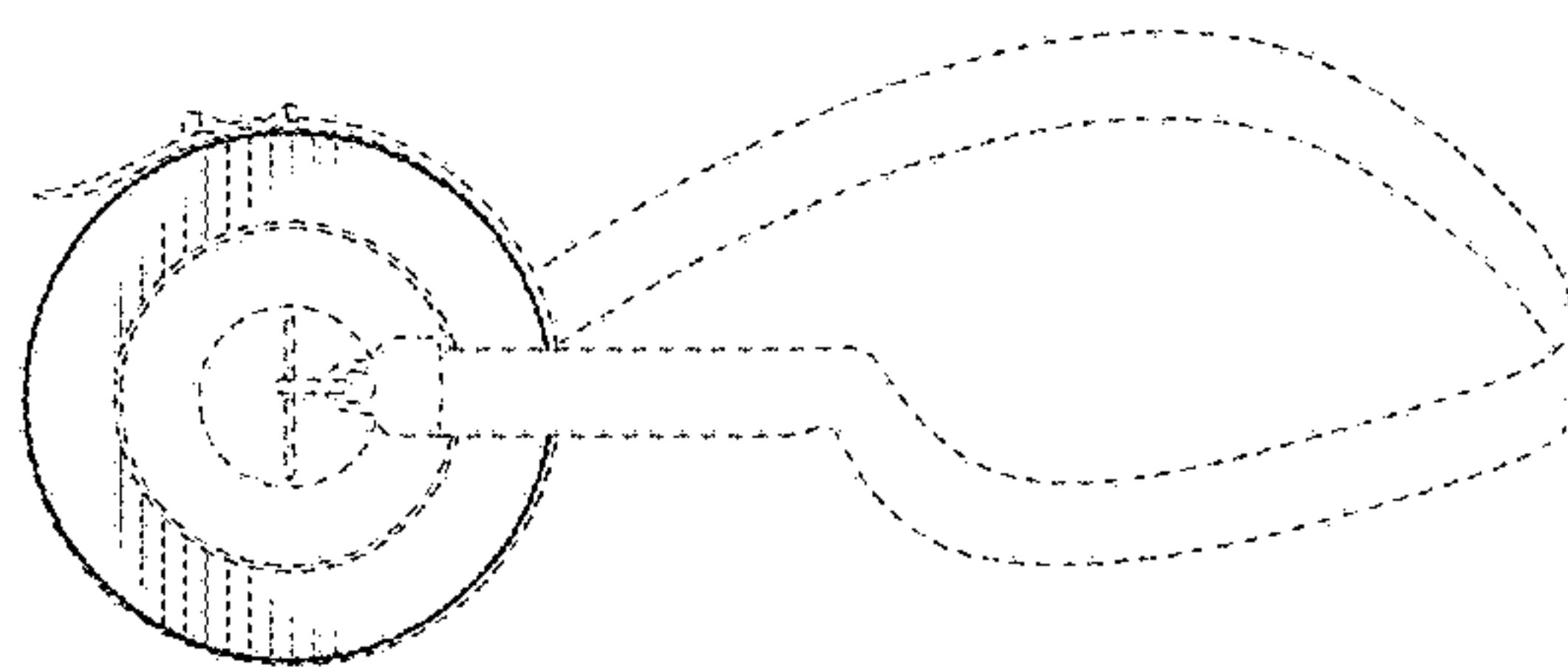


FIG. 7

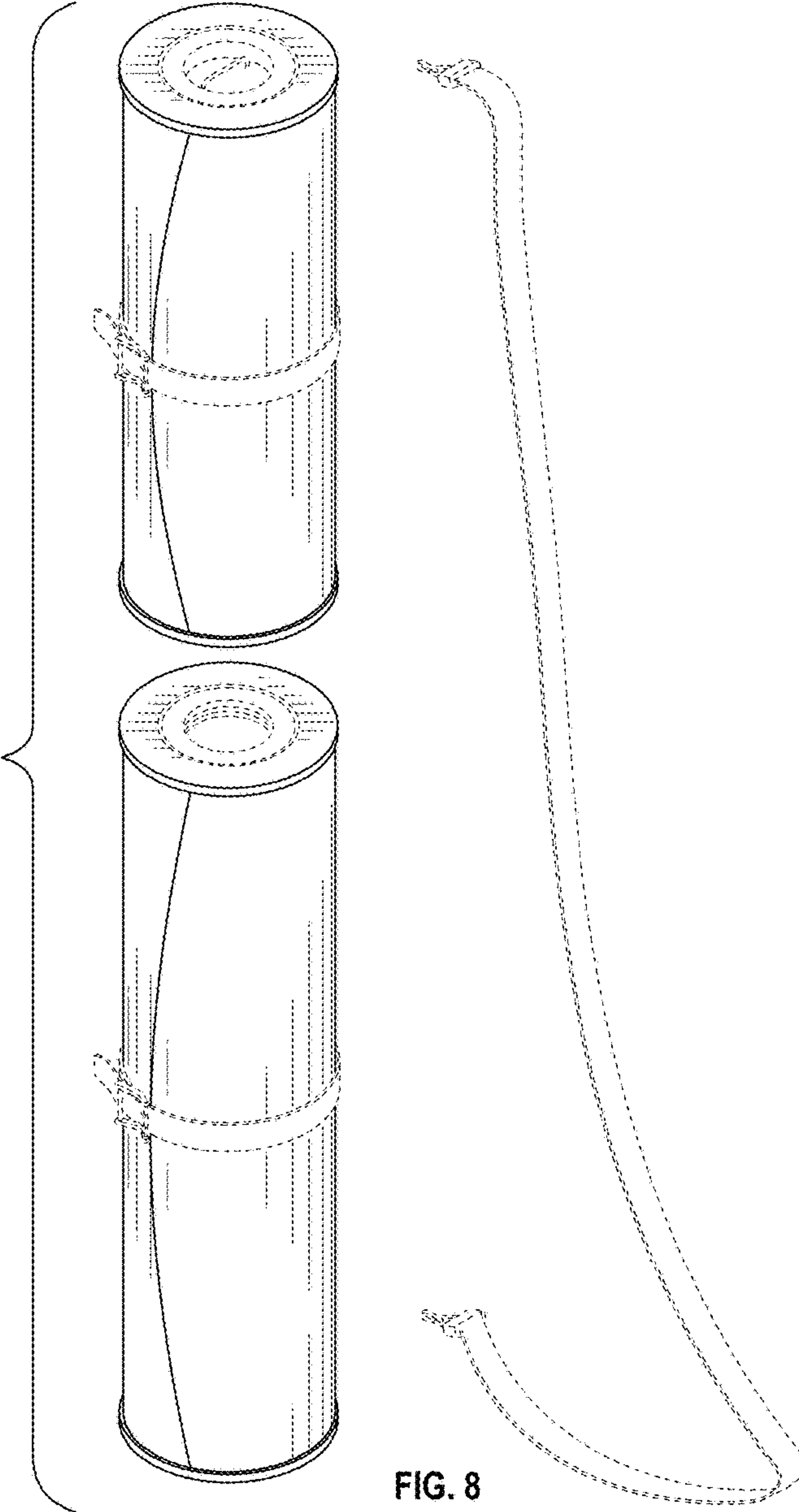


FIG. 8



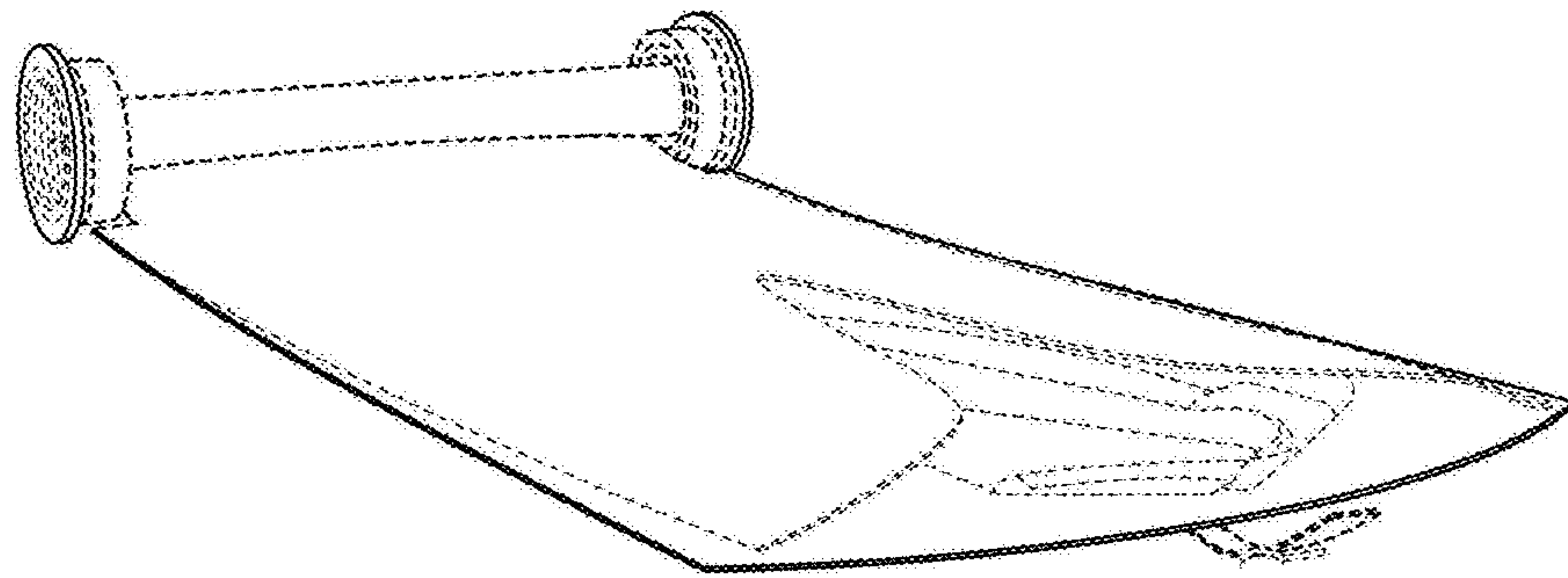


FIG. 9