



US00D848735S

(12) **United States Design Patent**  
**Sibley**

(10) **Patent No.:** **US D848,735 S**

(45) **Date of Patent:** **\*\* May 21, 2019**

(54) **ORGANIZER INSERT FOR AMMUNITION CONTAINER**

D754,276 S \* 4/2016 Runell ..... D22/116  
D755,325 S \* 5/2016 Cauley, Jr. .... D22/108  
D770,003 S \* 10/2016 Hultman ..... D22/108

(Continued)

(71) Applicant: **David P. Sibley**, Kimberly, ID (US)

*Primary Examiner* — Anhdao Doan

(72) Inventor: **David P. Sibley**, Kimberly, ID (US)

*Assistant Examiner* — Mary Shannon Malley

(\*\*) Term: **15 Years**

(74) *Attorney, Agent, or Firm* — Richard D. Clarke

(21) Appl. No.: **29/617,639**

(57) **CLAIM**

I claim the ornamental design for an organizer insert for ammunition container, as shown and described.

(22) Filed: **Sep. 15, 2017**

**DESCRIPTION**

(51) **LOC (11) Cl.** ..... **03-01**

(52) **U.S. Cl.**

USPC ..... **D3/262**

(58) **Field of Classification Search**

USPC ..... D22/108; 206/3; D3/201, 215, 216, 217, D3/219, 221, 222, 223, 224, 225, 226, D3/227, 230, 232, 239, 254, 255, 256, D3/257, 258, 259, 260, 261, 262, 263, D3/265, 271.9, 271.11, 271.12, 273, 303, D3/274, 276, 282, 283, 284, 285, 286, D3/287, 288, 290, 291, 293, 294, 295  
CPC ..... F42B 39/26; F42B 39/02; F42B 39/28  
See application file for complete search history.

FIG. 1 is a top and side perspective view of the organizer insert for ammunition container shown here configured for holding handgun ammunition with a centrally located desiccant packet;

FIG. 2 is a top and side perspective view of the organizer insert for ammunition container shown here configured for holding rifle ammunition with a centrally located desiccant packet;

FIG. 3 is a top and side perspective view of the organizer insert for ammunition container shown here configured for holding shotgun ammunition with a centrally located desiccant packet;

FIG. 4 is a bottom plan view of the organizer insert for ammunition container;

FIG. 5 is a top plan view of the organizer insert for ammunition container;

FIG. 6 is a side elevational view of the organizer insert for ammunition container, wherein the opposite side elevational view is a mirror image of said side elevational view shown in FIG. 6; and,

FIG. 7 is a front elevational view of the organizer insert for ammunition container, wherein the rear elevational view is a mirror image of said front elevational view shown in FIG. 7.

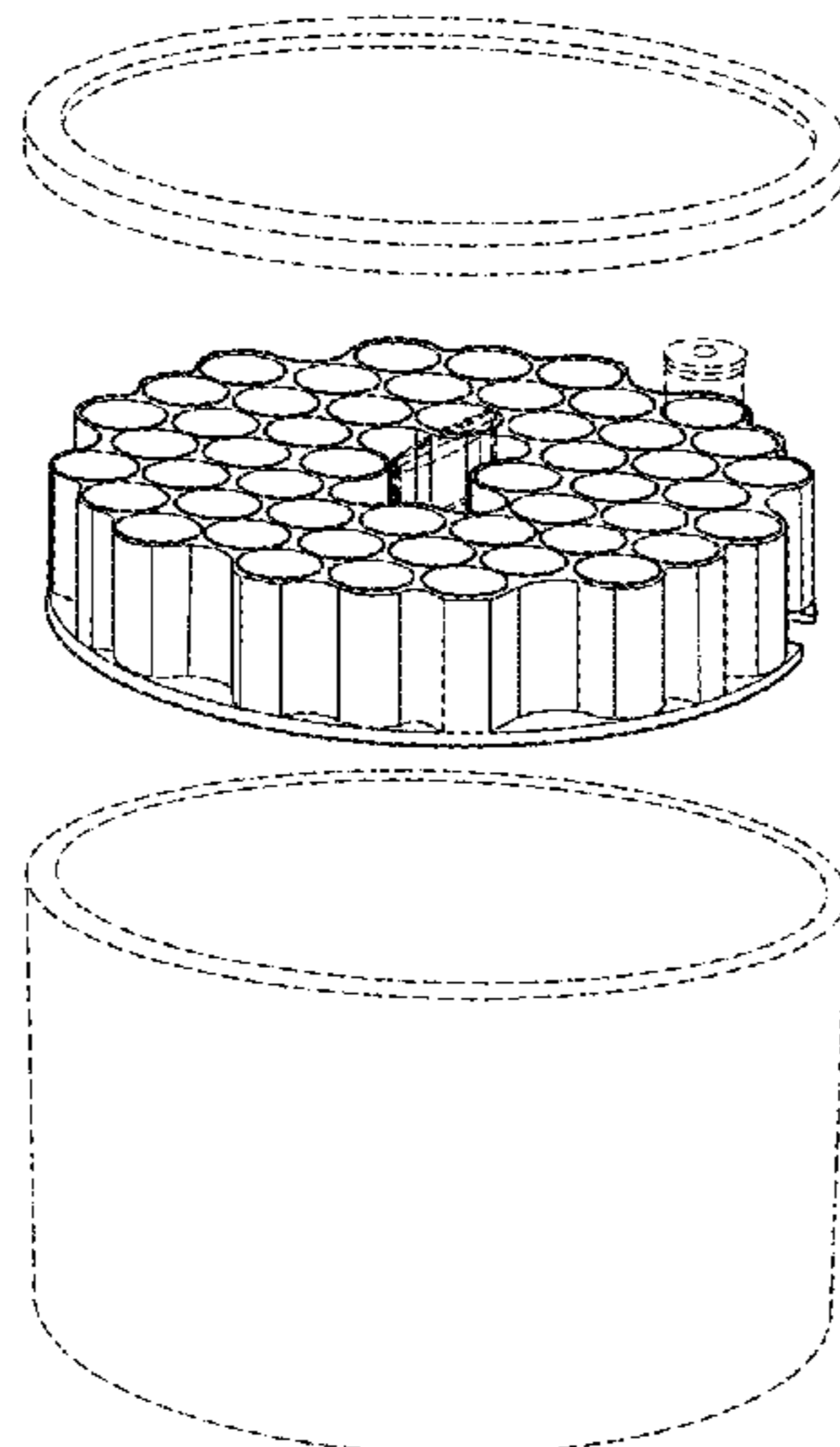
The broken lines shown in FIGS. 1-3 of the drawings show unclaimed environment only and form no part of the claimed design.

(56) **References Cited**

**U.S. PATENT DOCUMENTS**

1,343,374 A \* 6/1920 Peoples ..... F41A 9/79  
206/3  
3,034,517 A \* 5/1962 Reiland ..... A63F 11/0002  
221/120  
4,940,135 A \* 7/1990 Hall ..... F41A 9/72  
206/3  
D317,809 S \* 6/1991 Golden ..... D22/108  
8,157,092 B2 \* 4/2012 Christopher ..... B25B 15/02  
206/349  
8,469,188 B1 \* 6/2013 Vitale ..... B25H 3/00  
206/277  
D709,586 S \* 7/2014 Ropic ..... D22/108

**1 Claim, 4 Drawing Sheets**



(56)

**References Cited**

U.S. PATENT DOCUMENTS

2002/0119286 A1\* 8/2002 Chen ..... B23H 5/08  
428/131  
2004/0031835 A1\* 2/2004 McLeod ..... B60N 3/107  
224/544  
2005/0189250 A1\* 9/2005 Hsu ..... B25H 3/003  
206/373  
2010/0236247 A1\* 9/2010 Davis, Jr. .... F23R 3/12  
60/742  
2014/0202884 A1\* 7/2014 Martin, III ..... F41A 9/85  
206/3  
2016/0286915 A1\* 10/2016 Munoz ..... A45C 15/00

\* cited by examiner

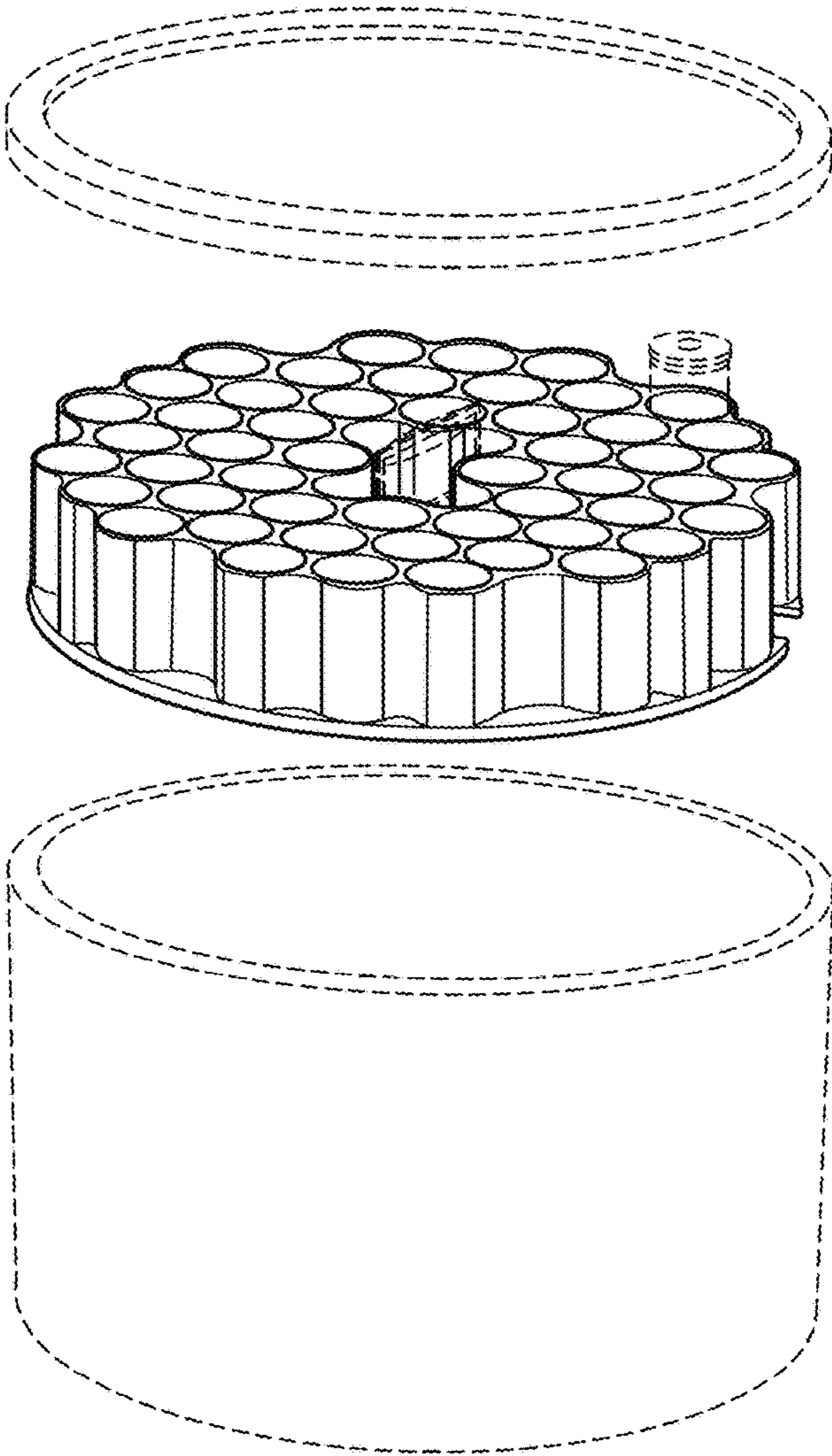


FIG. 1

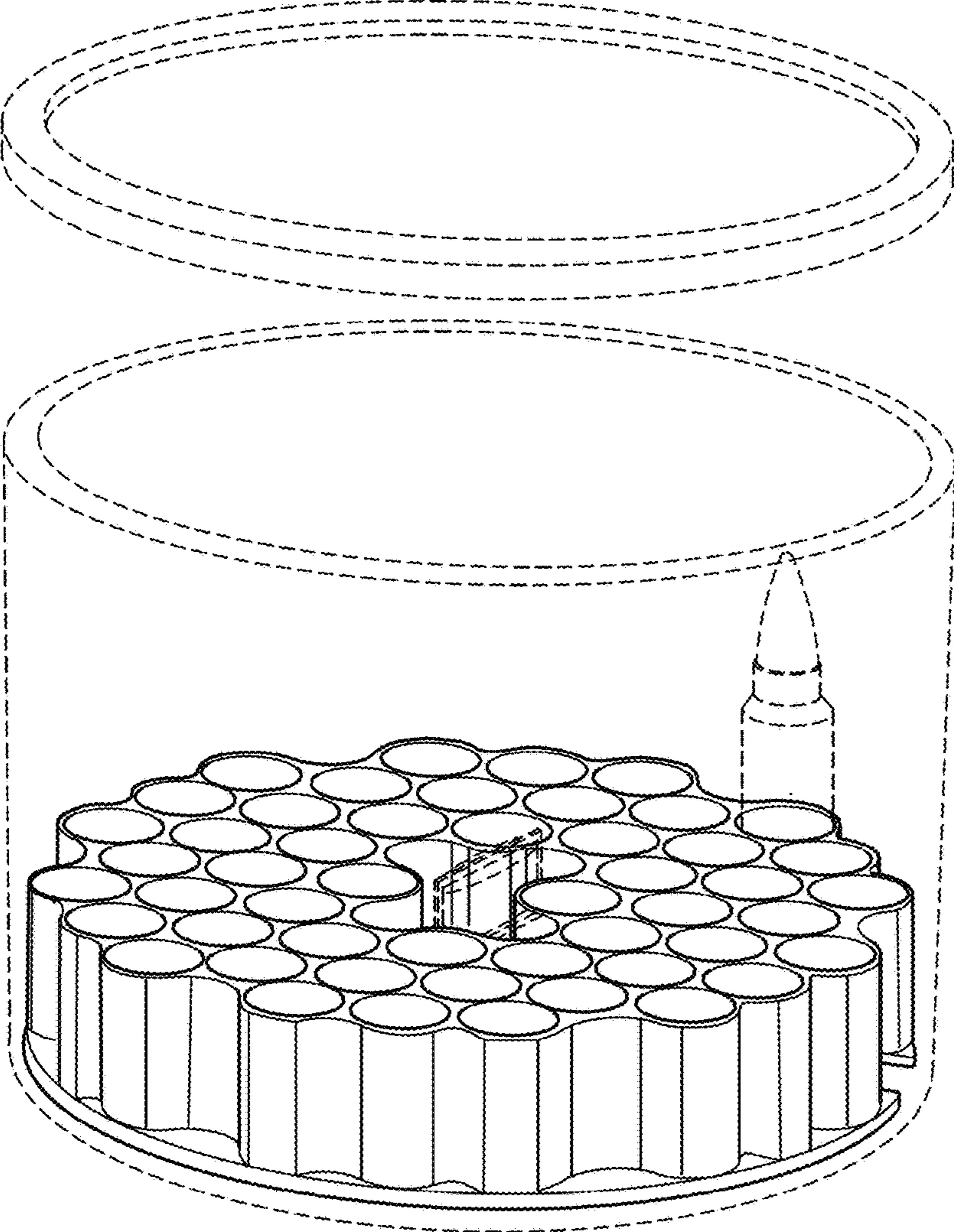


FIG. 2

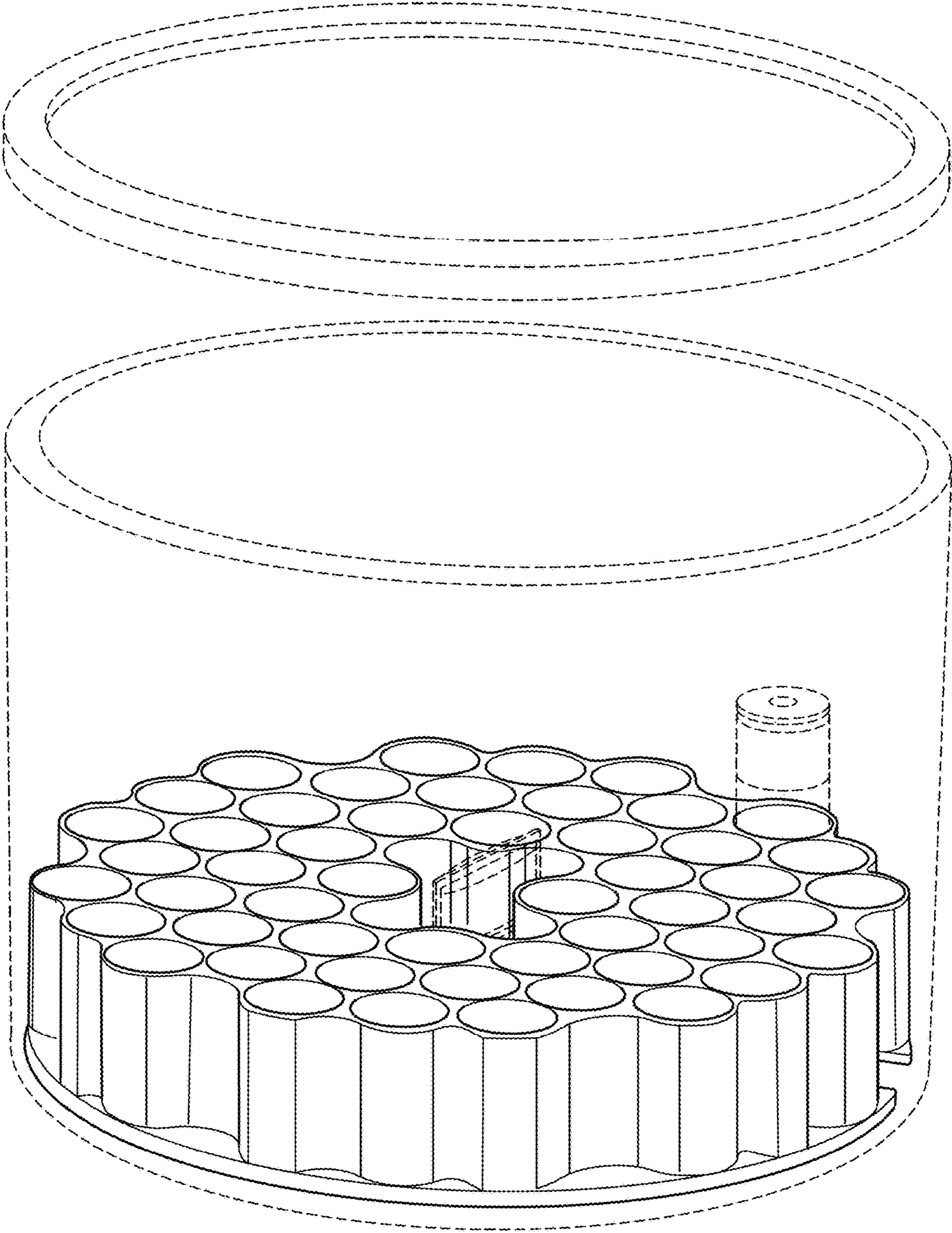


FIG. 3

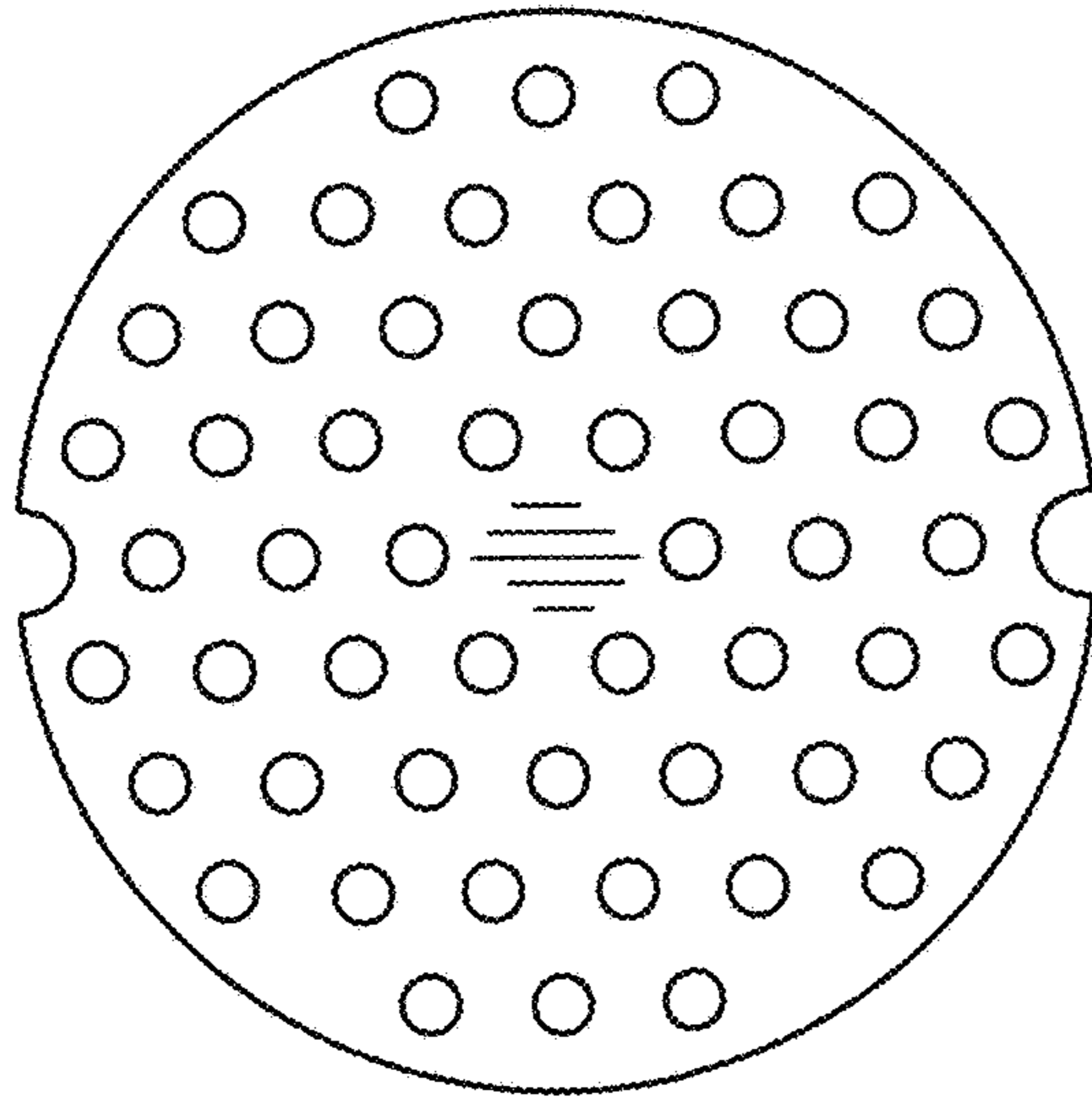


FIG. 4

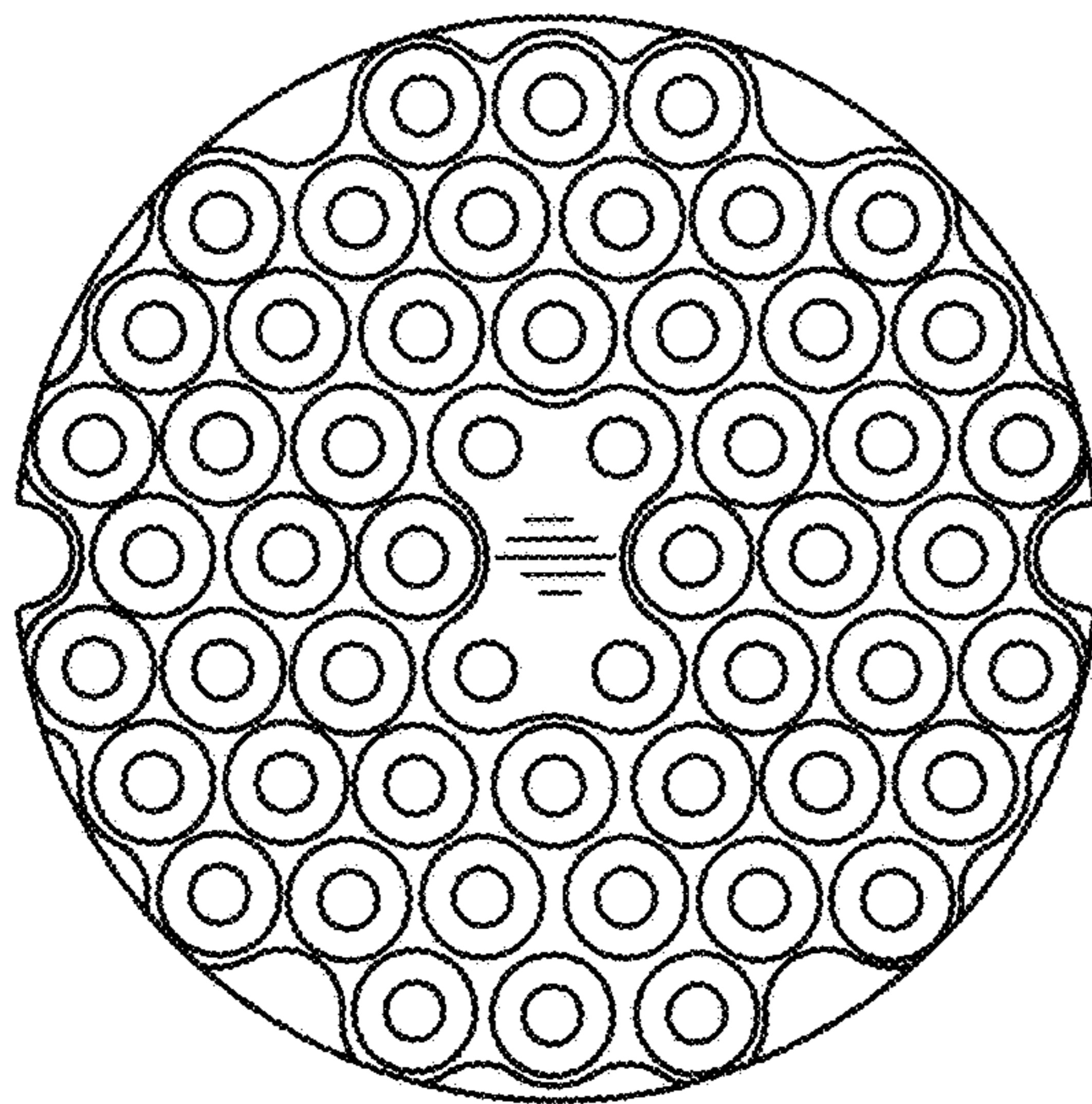


FIG. 5

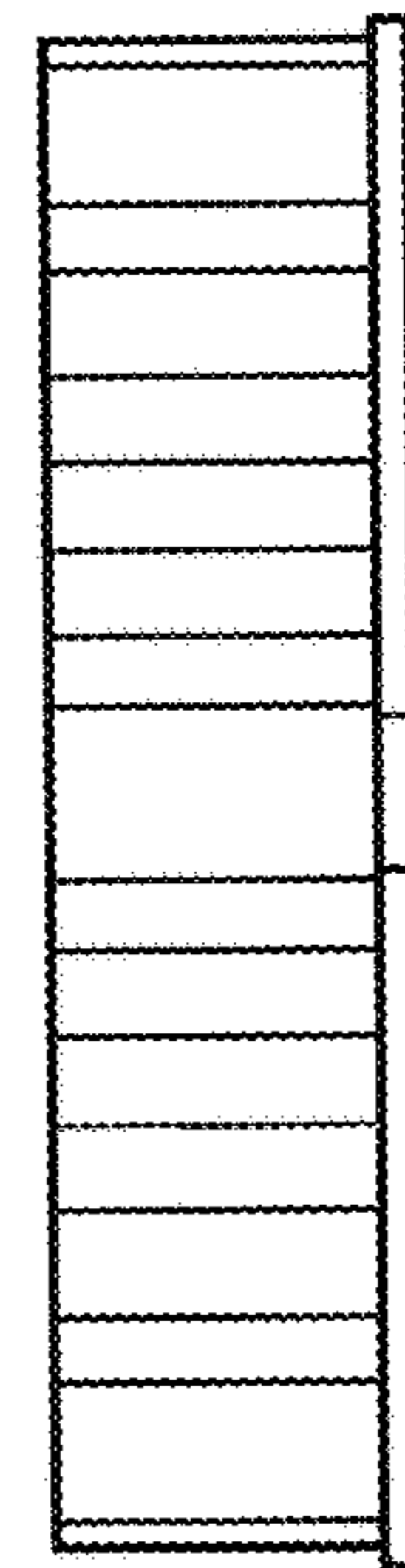


FIG. 6

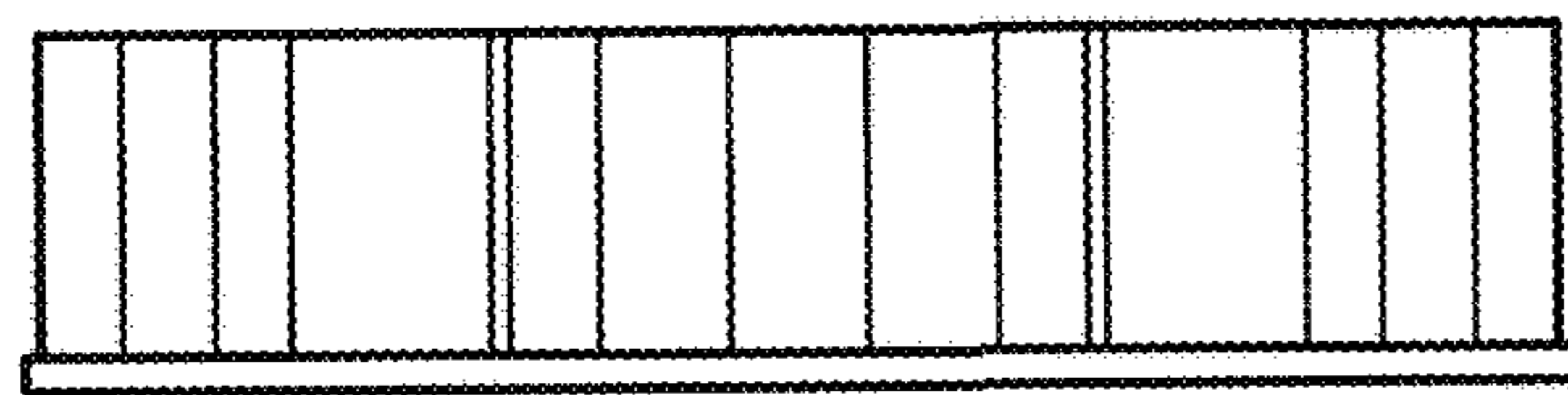


FIG. 7