



US00D848733S

(12) **United States Design Patent** (10) **Patent No.:** **US D848,733 S**
Dahl (45) **Date of Patent:** **** *May 21, 2019**

(54) **STRAPPED GOLF BAG**
(71) Applicant: **Jason Dahl**, Marysville, WA (US)
(72) Inventor: **Jason Dahl**, Marysville, WA (US)
(*) Notice: This patent is subject to a terminal disclaimer.
(**) Term: **15 Years**
(21) Appl. No.: **29/593,237**
(22) Filed: **Feb. 7, 2017**
(51) **LOC (11) Cl.** **03-01**
(52) **U.S. Cl.**
USPC **D3/255**
(58) **Field of Classification Search**
USPC D3/254, 255, 276, 315, 316, 318, 319,
D3/320, 321, 327, 328.1
CPC A63B 55/00–55/61; A63B
2055/402–2055/615; A63B 60/60; A63B
60/64
See application file for complete search history.

D382,406 S * 8/1997 Kim D3/320
D382,707 S * 8/1997 Wang D3/255
D386,303 S * 11/1997 Wang D3/255
D389,311 S * 1/1998 Wang D3/320
D391,082 S * 2/1998 Kim D3/320
D407,900 S * 4/1999 Baird D3/320
D408,147 S * 4/1999 Wang D3/320
D409,838 S * 5/1999 Steurer
D411,665 S * 6/1999 Wang D3/320
6,006,974 A 12/1999 Varney et al.
D419,294 S * 1/2000 Wang D3/255
D438,705 S 3/2001 Steurer
6,457,620 B1 10/2002 Batten et al.
6,926,183 B2 8/2005 Chang
D510,805 S * 10/2005 Wang D3/320
7,198,183 B2 4/2007 Yang
D583,705 S 12/2008 Smith
D652,211 S * 1/2012 Morrison D3/255
D704,439 S * 5/2014 Mangano D3/255
2007/0262105 A1 11/2007 Tan

FOREIGN PATENT DOCUMENTS

WO WO2004069342 8/2004

* cited by examiner

Primary Examiner — Mitchell I. Siegel

(57) **CLAIM**

The ornamental design for a strapped golf bag, as shown and described.

DESCRIPTION

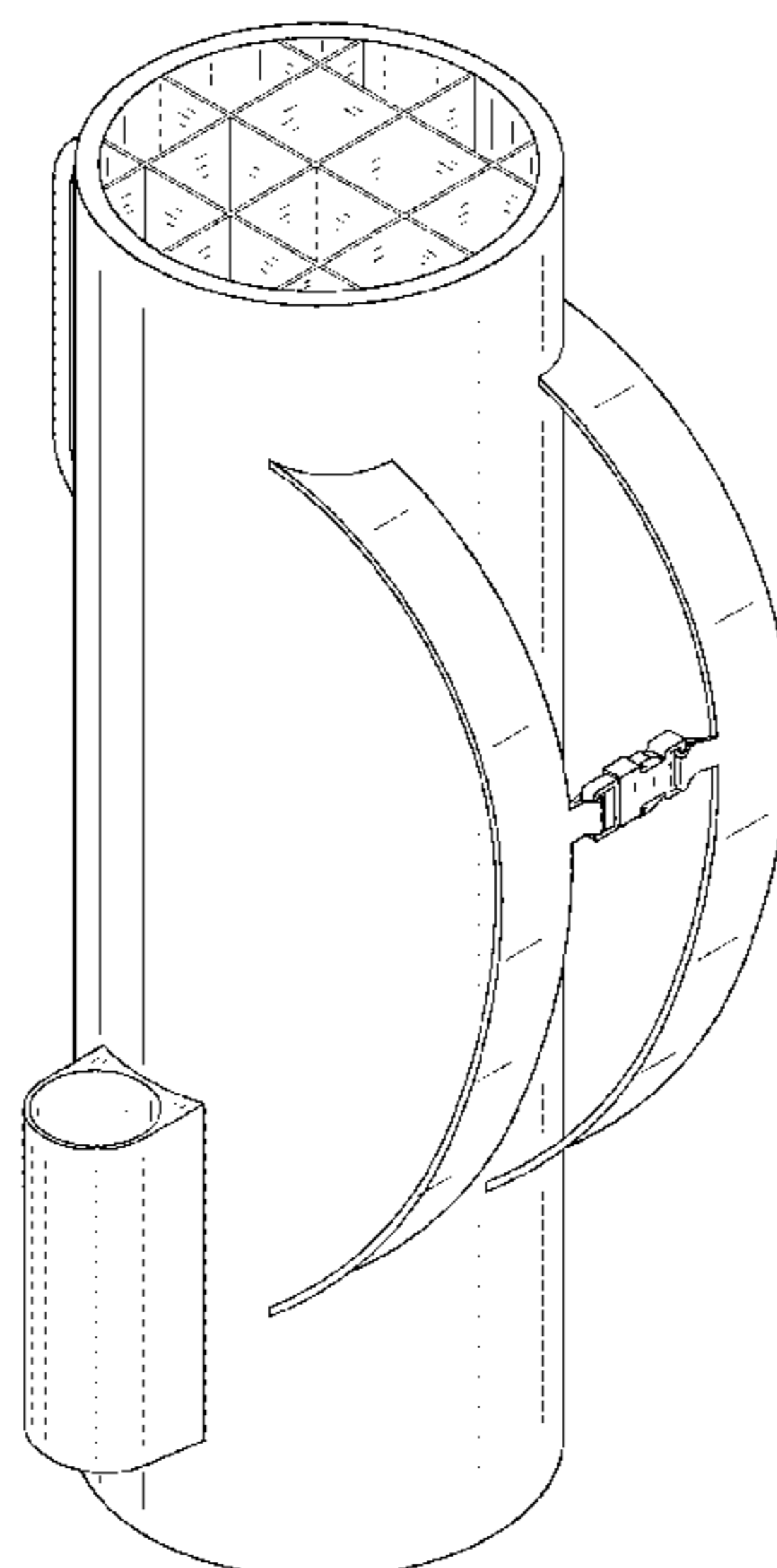
FIG. 1 is a front view of a strapped golf bag showing my new design;
FIG. 2 is a rear view of the strapped golf bag;
FIG. 3 is a left side view of the strapped golf bag;
FIG. 4 is a right side view of the strapped golf bag;
FIG. 5 is a top view of the strapped golf bag;
FIG. 6 is a bottom view of the strapped golf bag; and,
FIG. 7 is a top front side perspective view of the strapped golf bag.

1 Claim, 6 Drawing Sheets

(56) **References Cited**

U.S. PATENT DOCUMENTS

4,029,136 A * 6/1977 Jacoby A63B 55/00
206/315.3
4,266,589 A * 5/1981 Cochran A63B 55/50
206/315.3
4,311,178 A * 1/1982 Kennedy A63B 55/00
206/315.6
4,844,253 A * 7/1989 Reimers A63B 55/00
206/315.6
5,358,109 A * 10/1994 Nichols A63B 55/00
206/315.3
5,429,288 A * 7/1995 Sattler A45F 3/02
224/257
D362,752 S 10/1995 Steurer
5,558,259 A * 9/1996 Izzo A63B 55/00
206/315.3



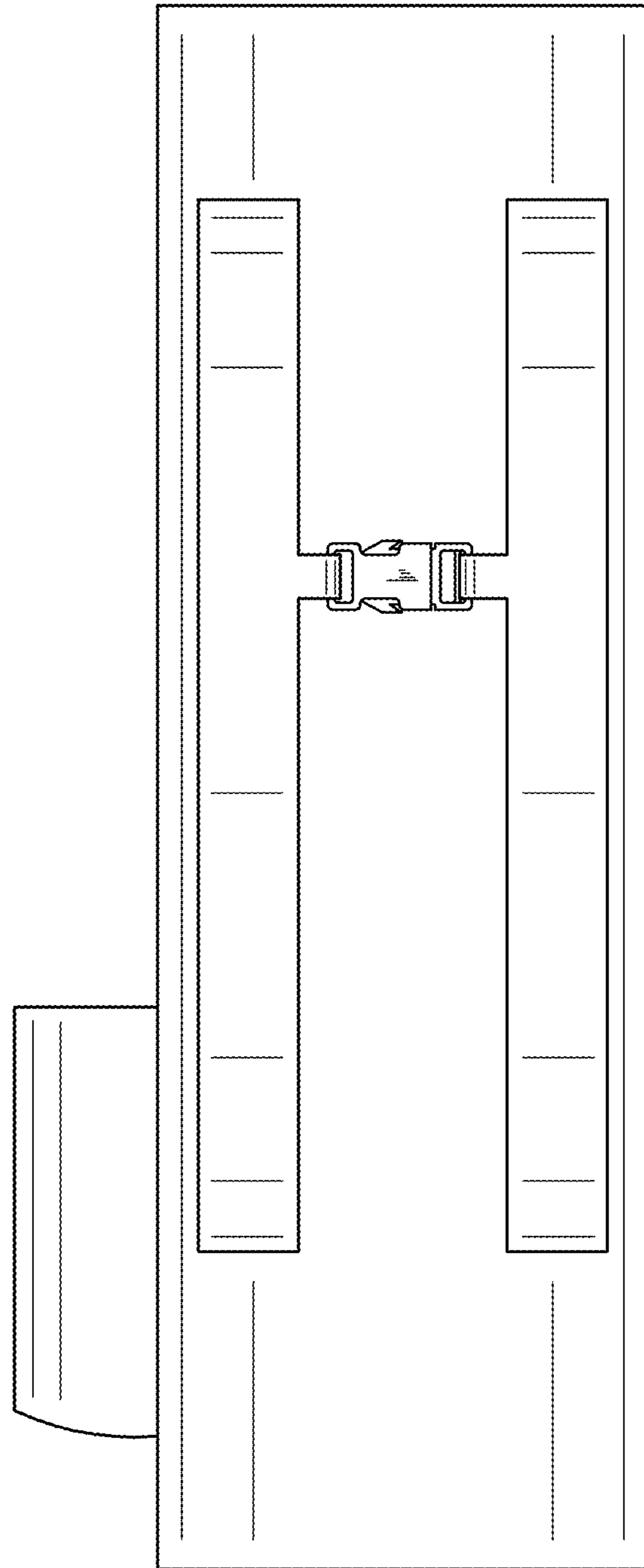


FIG. 1

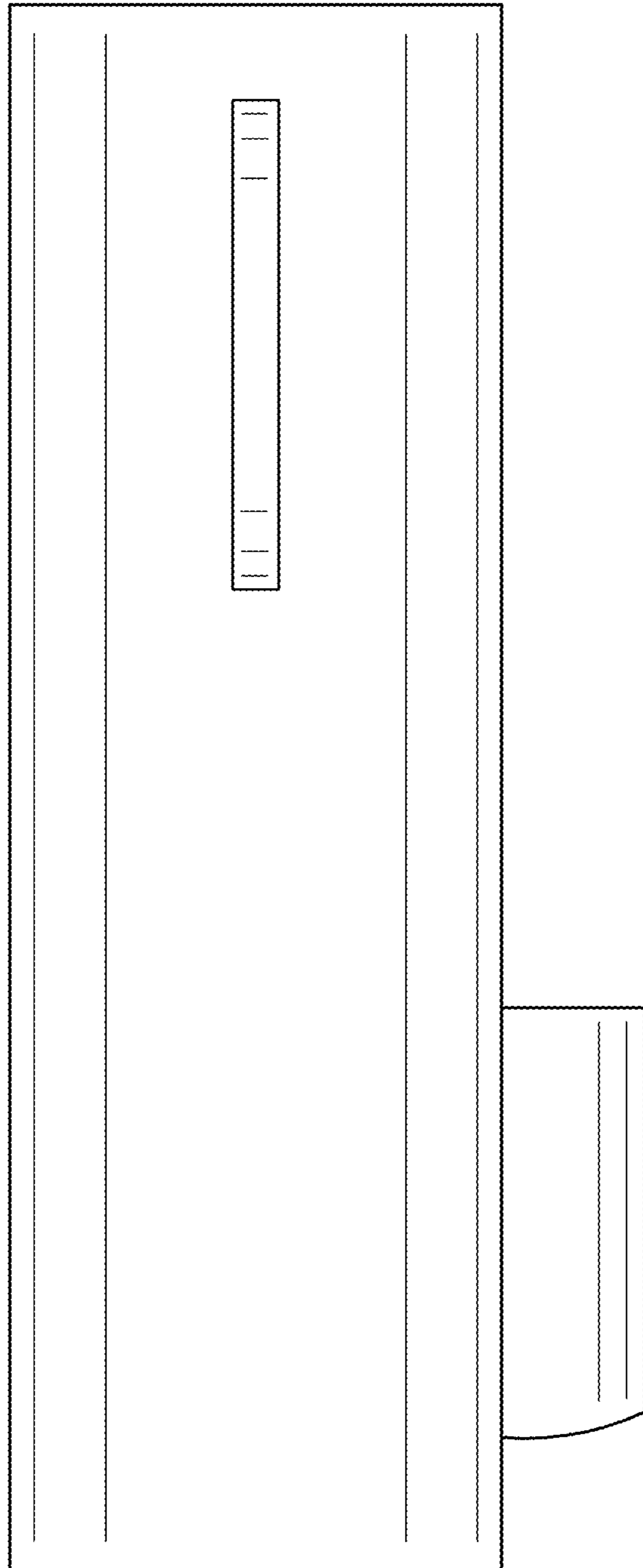


FIG. 2

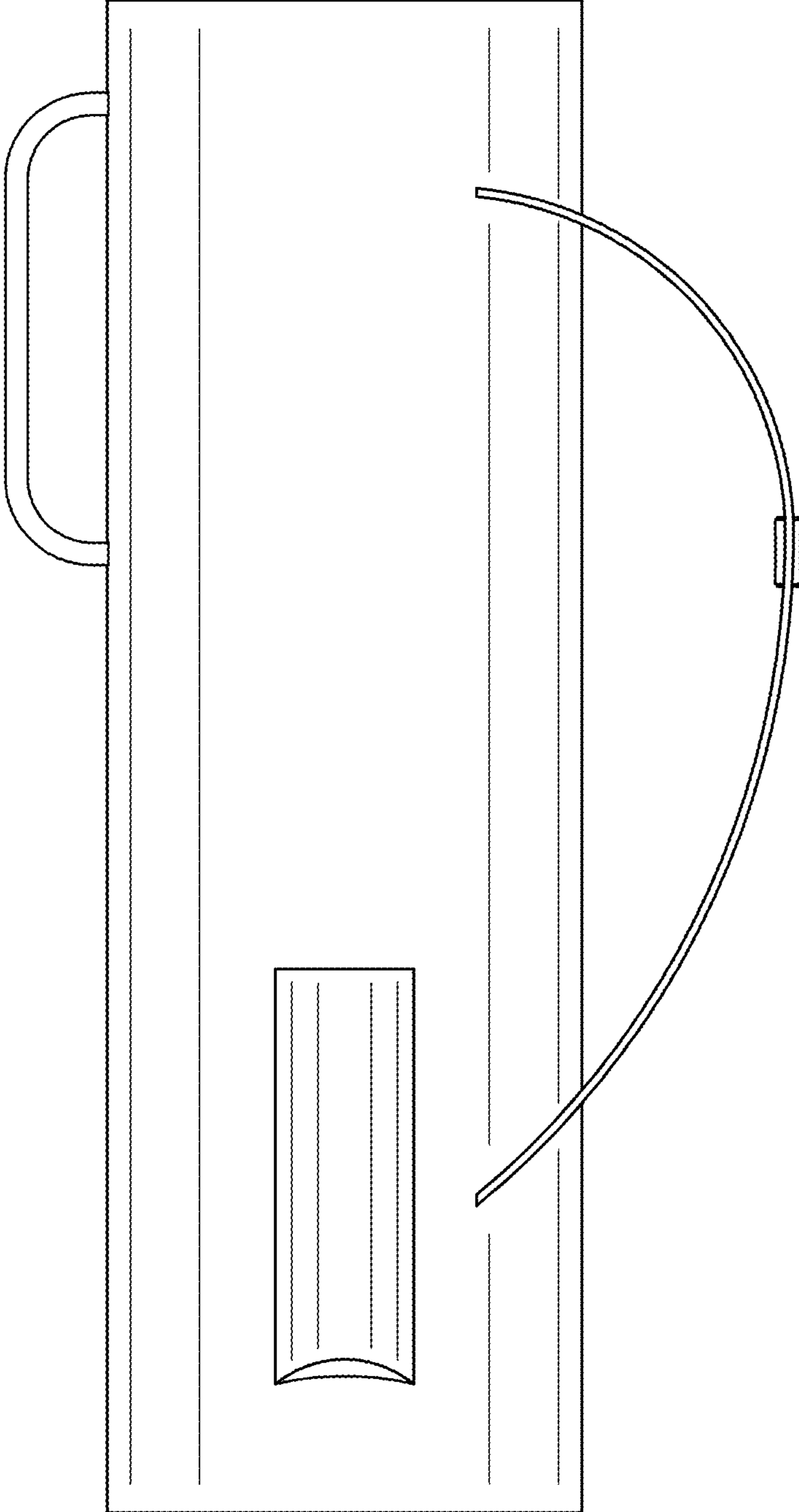


FIG. 3

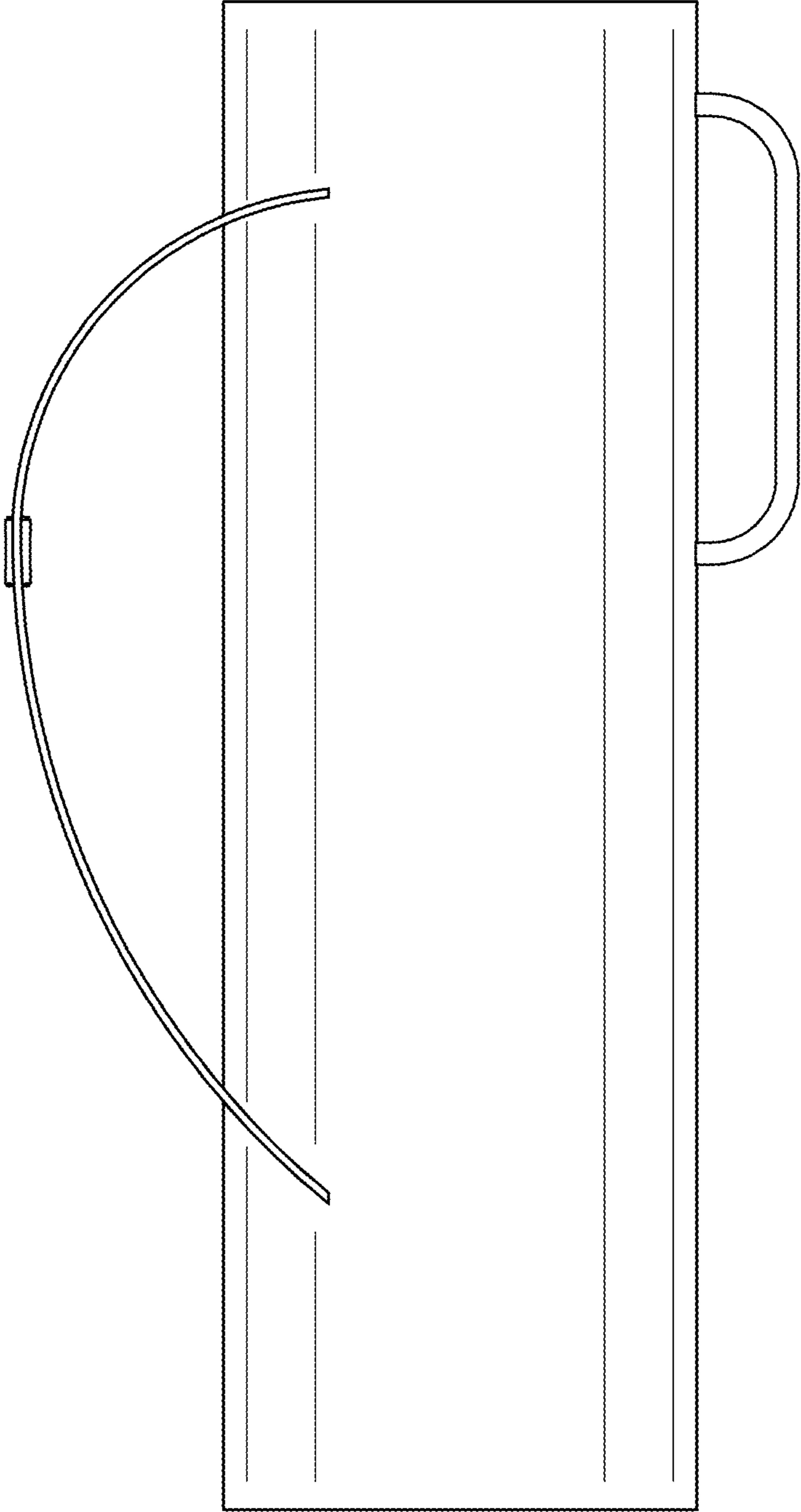


FIG. 4

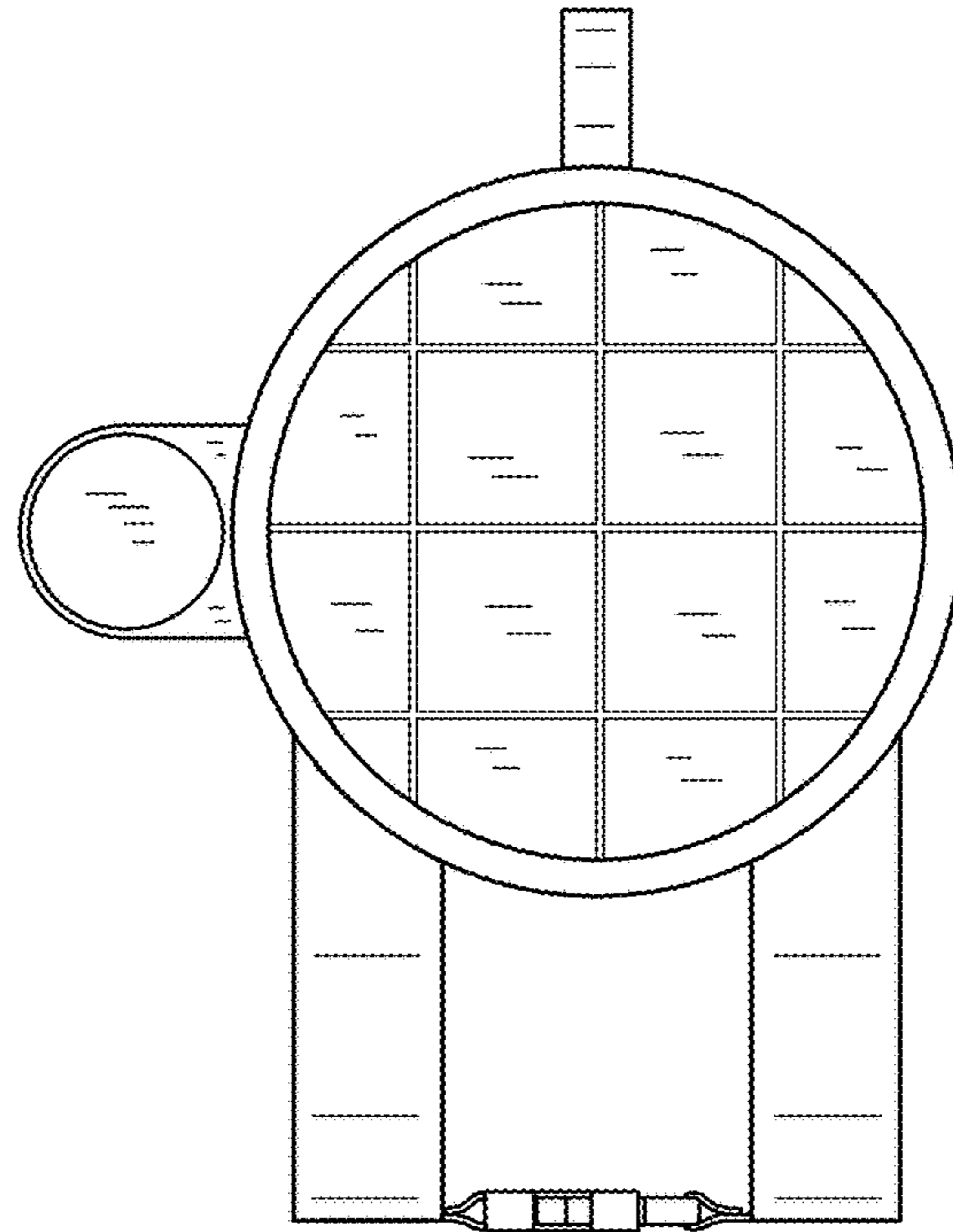


FIG. 5

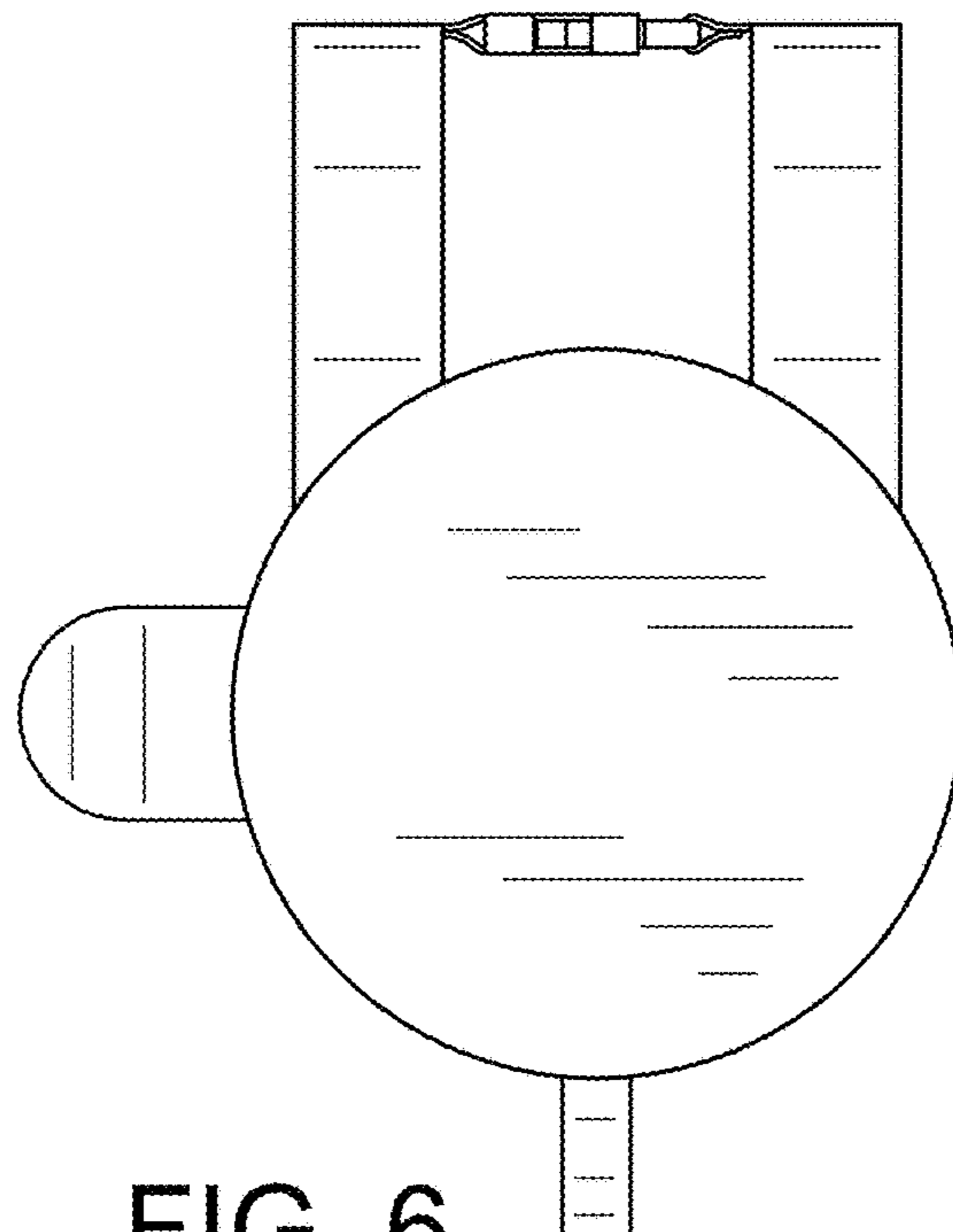


FIG. 6

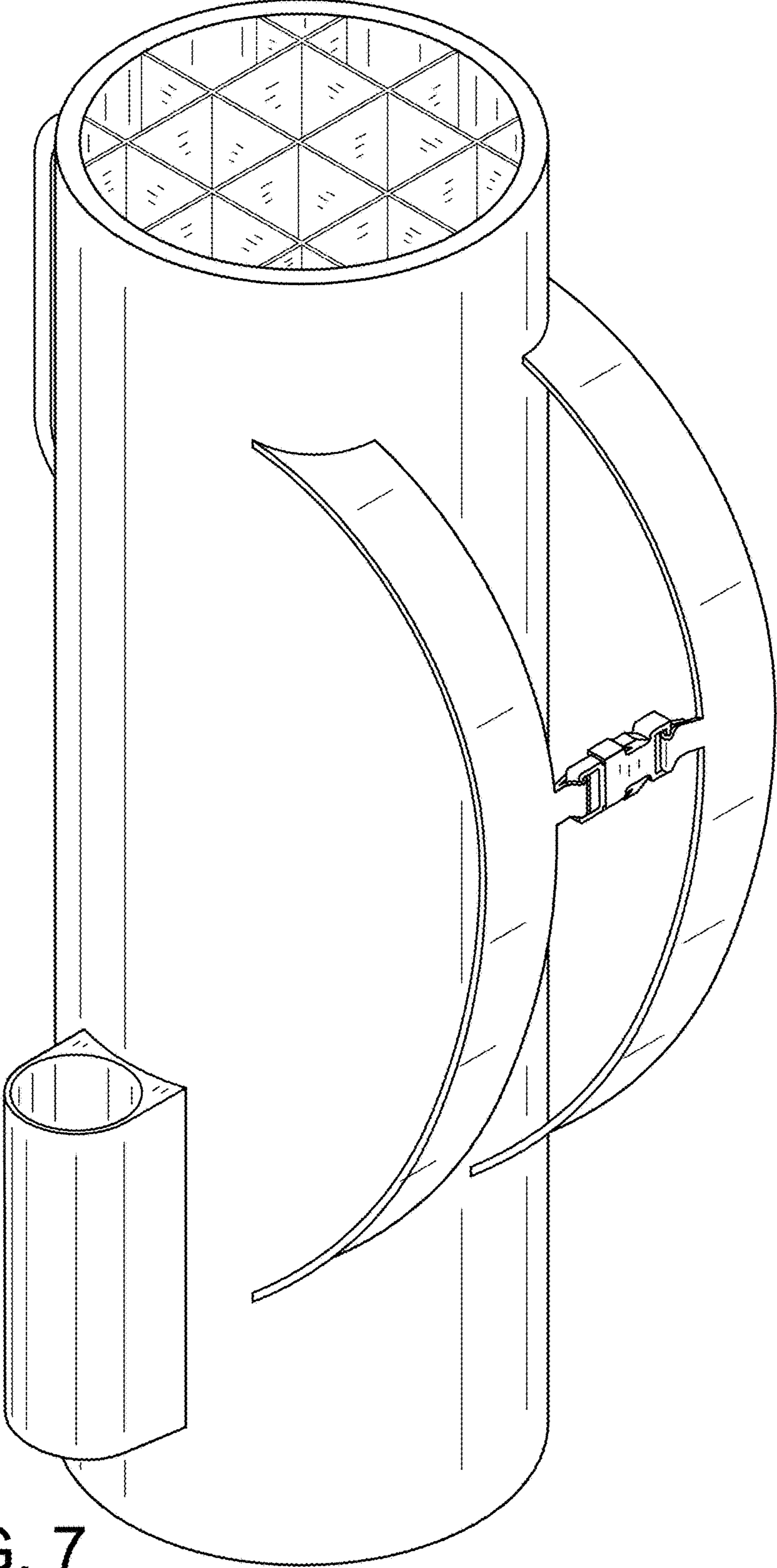


FIG. 7