



US00D848731S

(12) **United States Design Patent** (10) **Patent No.:** **US D848,731 S**
Ge (45) **Date of Patent:** **** May 21, 2019**

(54) **SPORT EARBUDS AND ARMBAND FOR MOBILE PHONE**

(71) Applicant: **Dongguan City Lovphone Electronics Technology Co., Ltd., Dongguan (CN)**

(72) Inventor: **Chunlu Ge, Ganzhou (CN)**

(73) Assignee: **Dongguan City Lovphone Electronics Technology Co., Ltd., Dongguan (CN)**

(**) Term: **15 Years**

(21) Appl. No.: **29/596,174**

(22) Filed: **Mar. 6, 2017**

(51) **LOC (11) Cl.** **03-01**

(52) **U.S. Cl.**
USPC **D3/226**

(58) **Field of Classification Search**

USPC D3/215, 218, 221, 224, 226, 228;
 224/219, 222, 267, 269, 240–241, 268,
 224/587, 666–667, 651, 673, 637, 648,
 224/652, 658, 662, 660, 684; 206/305,
 206/320
 CPC A45F 5/00; A45F 2005/008; A45C 1/04;
 A45C 11/00; A45C 13/002; A45C 13/10;
 A45C 2011/003; A45C 2013/1015; F21V
 33/0004

See application file for complete search history.

(56) **References Cited**

U.S. PATENT DOCUMENTS

D752,857 S	*	4/2016	Morgan	D3/218
D759,958 S	*	6/2016	Requa	D3/218
D771,374 S	*	11/2016	Pomerantz	D3/218
D773,802 S	*	12/2016	Morgan	D3/218
D774,751 S	*	12/2016	Pomerantz	D3/218
D806,381 S	*	1/2018	Yu	D3/218
D811,729 S	*	3/2018	Bysshe	D3/218
D831,335 S	*	10/2018	Crease	D3/218

* cited by examiner

Primary Examiner — Catherine R Oliver-Garcia

(74) *Attorney, Agent, or Firm* — Schmeiser, Olsen & Watts, LLP

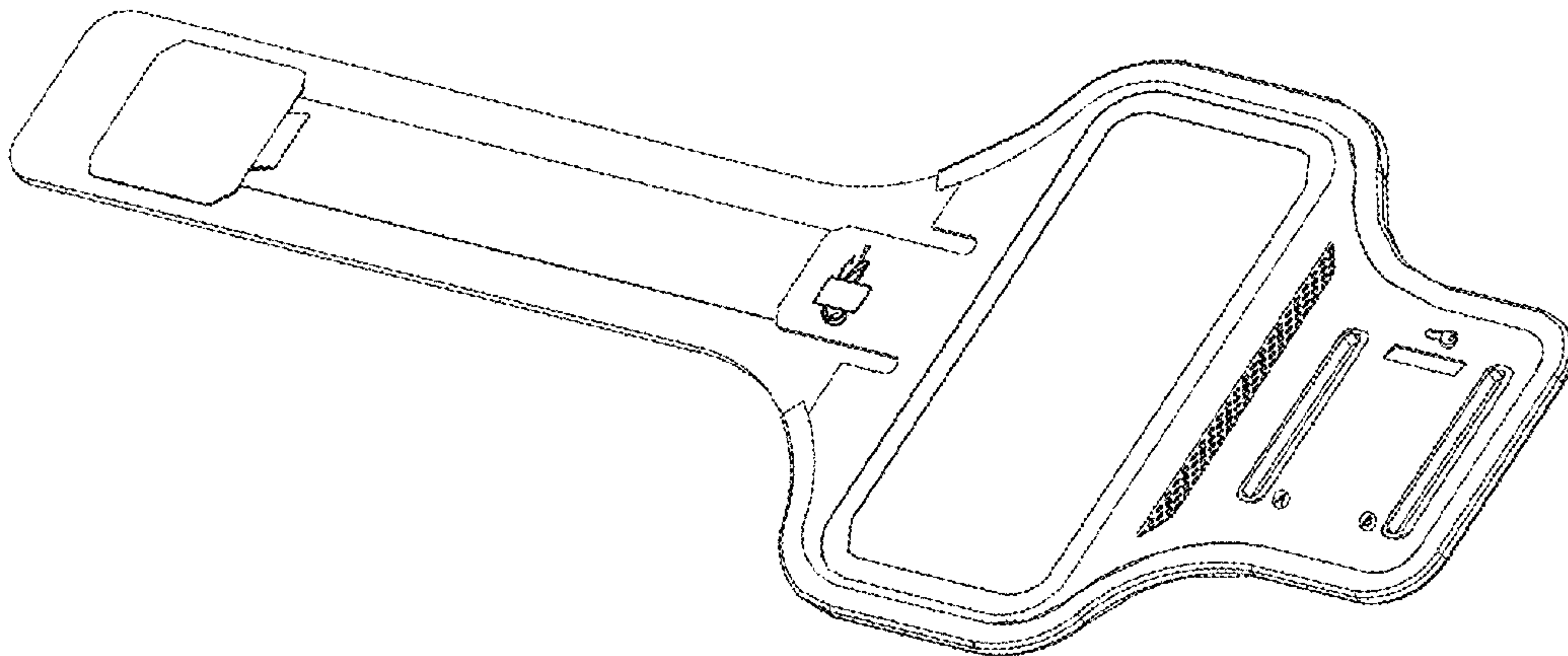
(57) **CLAIM**

The ornamental design for a sport ear buds and armband for mobile phone, as shown and described.

DESCRIPTION

FIG. 1 is a front Elevational view of a sport ear buds and armband for mobile phone
 FIG. 2 is a Rear elevational view thereof;
 FIG. 3 is a Left side view thereof;
 FIG. 4 is a Right side view thereof;
 FIG. 5 is a Top plan view thereof;
 FIG. 6 is a Bottom plan view thereof;
 FIG. 7 is a front and bottom perspective view thereof, and,
 FIG. 8 is a rear and bottom perspective view thereof.

1 Claim, 8 Drawing Sheets



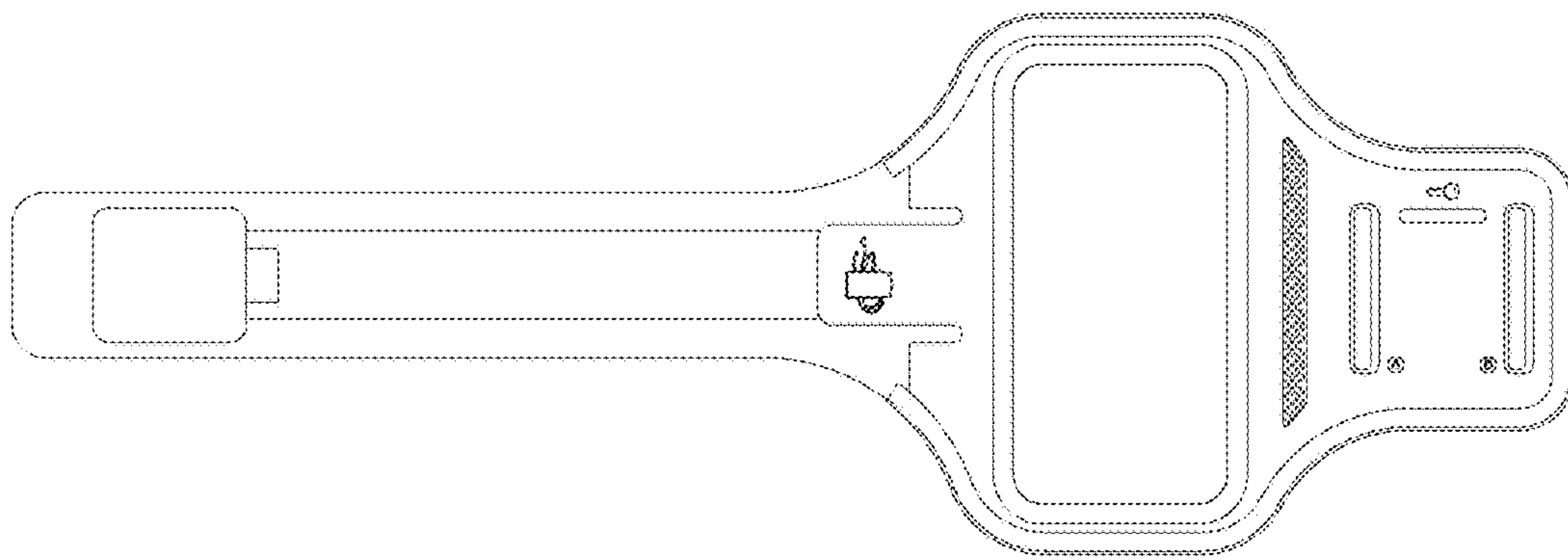


FIG 1

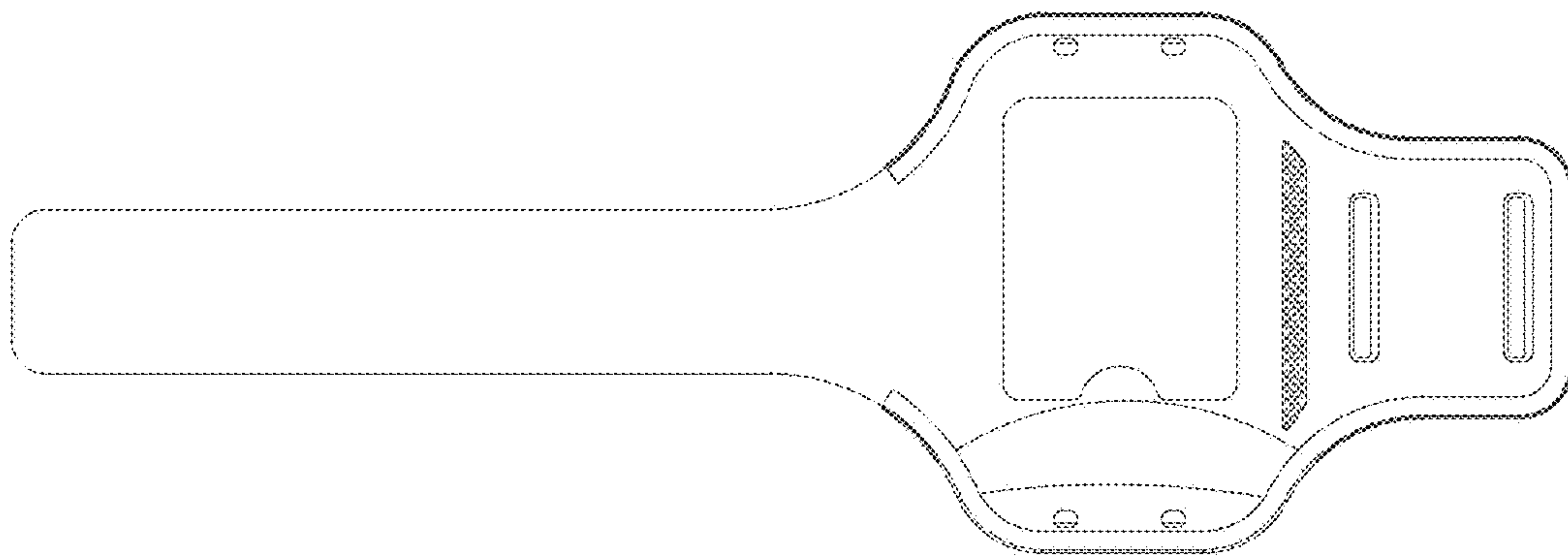


FIG. 2



FIG. 3

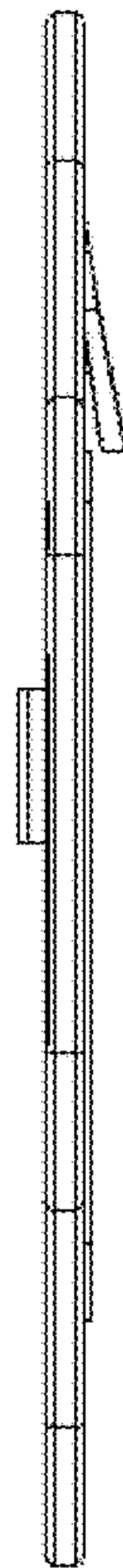


FIG. 4

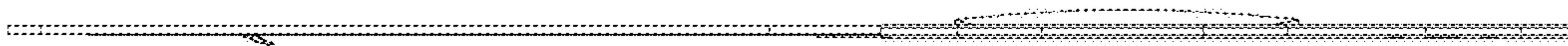


FIG 5

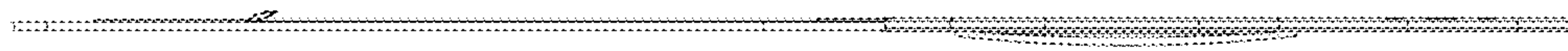


FIG. 6

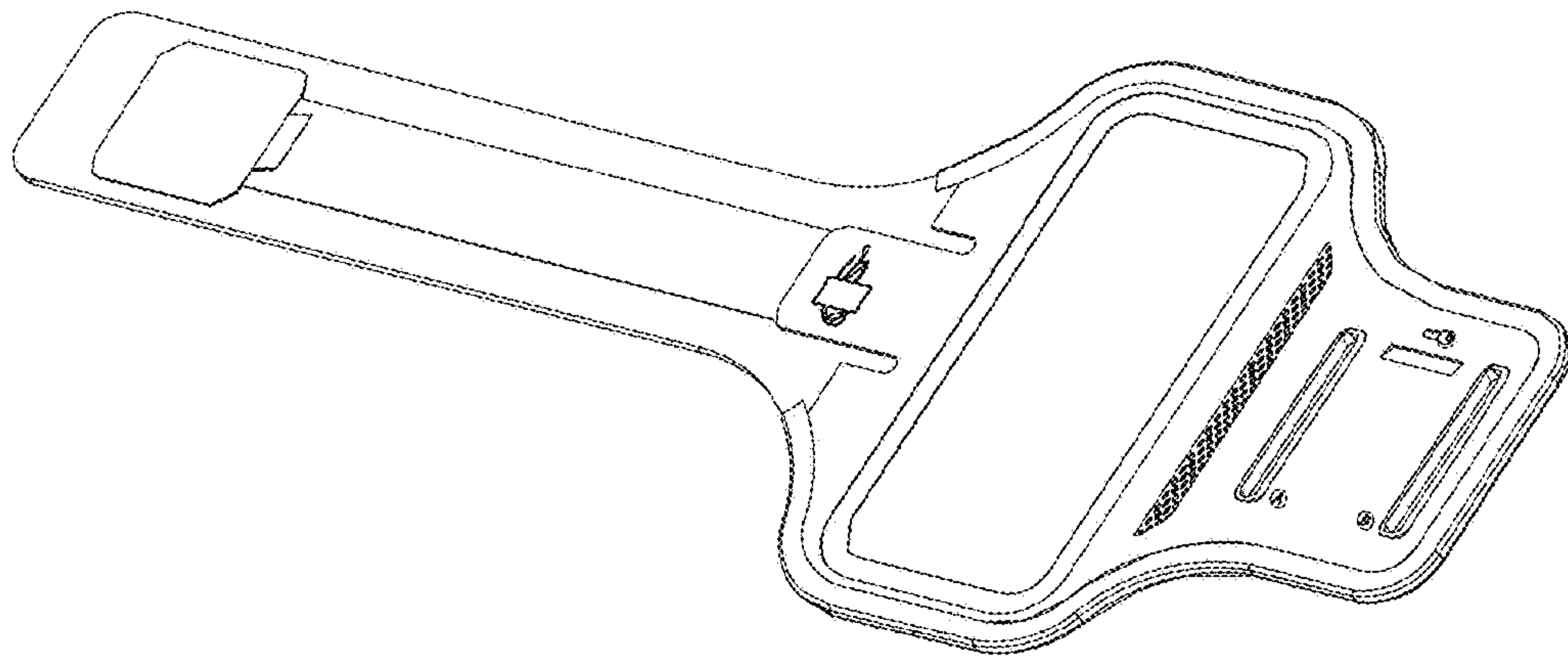


FIG. 7

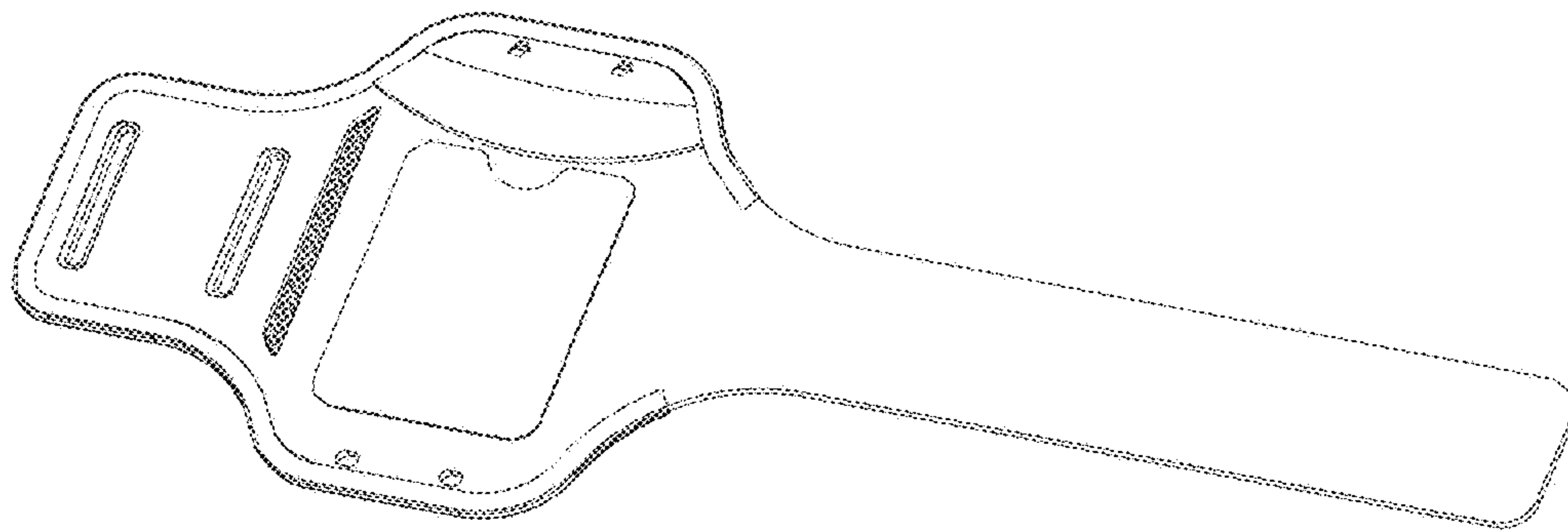


FIG. 8