



US00D848729S

(12) **United States Design Patent**
Goodman et al.

(10) **Patent No.:** **US D848,729 S**

(45) **Date of Patent:** **** May 21, 2019**

(54) **HOLDER**

7,506,854 B2 * 3/2009 Lukan A45D 27/29
248/313

(71) Applicant: **SPECTRUM DIVERSIFIED
DESIGNS, LLC**, Streetsboro, OH (US)

D625,130 S * 10/2010 Szczepanowski D6/526
D647,341 S * 10/2011 Micinilio D6/526

(72) Inventors: **Aaron Goodman**, Beachwood, OH
(US); **Megan Dittrich**, Twinsburg, OH
(US); **Joe Moya**, Columbus, OH (US)

OTHER PUBLICATIONS

Rain Forma 2 Stainless Steel Power Lock Brush Holder, www.
walmart.com/ip/InterDesign-Rain-Forma-2-Stainless-Steel-Power-
Lock-Brush-Holder-Clear/146622151, 3 pages, Aug. 20, 2017.

(73) Assignee: **Spectrum Diversified Designs, LLC**,
Streetsboro, OH (US)

* cited by examiner

(**) Term: **15 Years**

Primary Examiner — Charles D Hanson

(21) Appl. No.: **29/617,305**

(74) *Attorney, Agent, or Firm* — Tucker Ellis LLP

(22) Filed: **Sep. 13, 2017**

(57) **CLAIM**

(51) **LOC (11) Cl.** **03-01**

The ornamental design for a holder, as shown and described.

(52) **U.S. Cl.**

USPC **D3/205**

(58) **Field of Classification Search**

USPC D3/205, 206

CPC A47K 17/00; A47G 29/00

See application file for complete search history.

DESCRIPTION

FIG. 1 is a perspective view of a holder showing our new
design.

FIG. 2 is a left side view thereof.

FIG. 3 is a right side view thereof.

FIG. 4 is a front view thereof.

FIG. 5 is a rear view thereof.

FIG. 6 is a top view thereof; and,

FIG. 7 is a bottom view thereof.

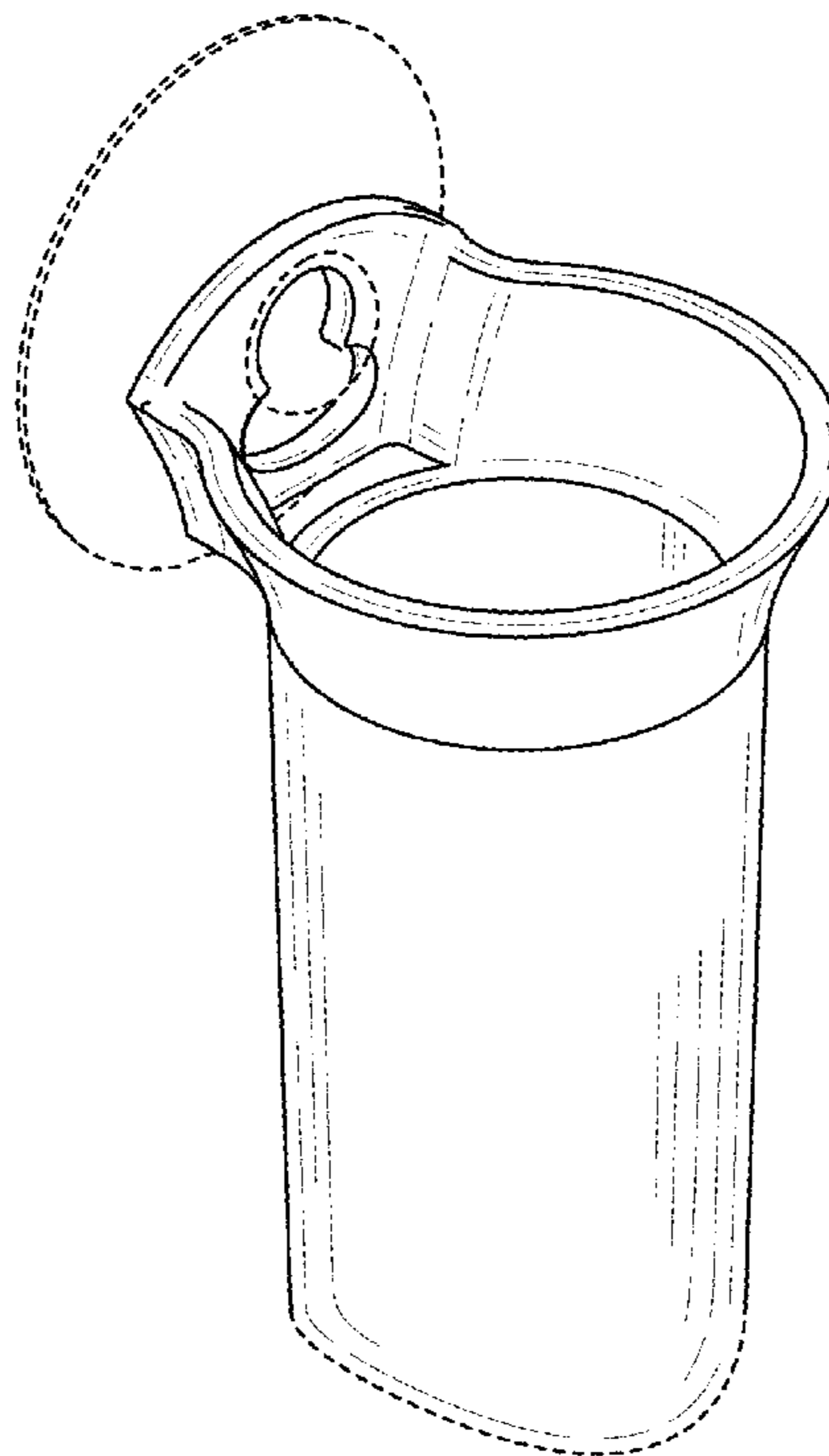
The broken lines shown herein are for illustrative purposes
only and form no part of the claimed design.

(56) **References Cited**

U.S. PATENT DOCUMENTS

D251,970 S *	5/1979	Fujita	D14/229
D370,375 S *	6/1996	Murgida	D6/526
D464,222 S *	10/2002	Coffin	D6/526
D533,740 S *	12/2006	Dombrowski	D6/526
D547,582 S *	7/2007	Lukan	D6/526
D574,651 S *	8/2008	Wonderley	D6/526

1 Claim, 4 Drawing Sheets



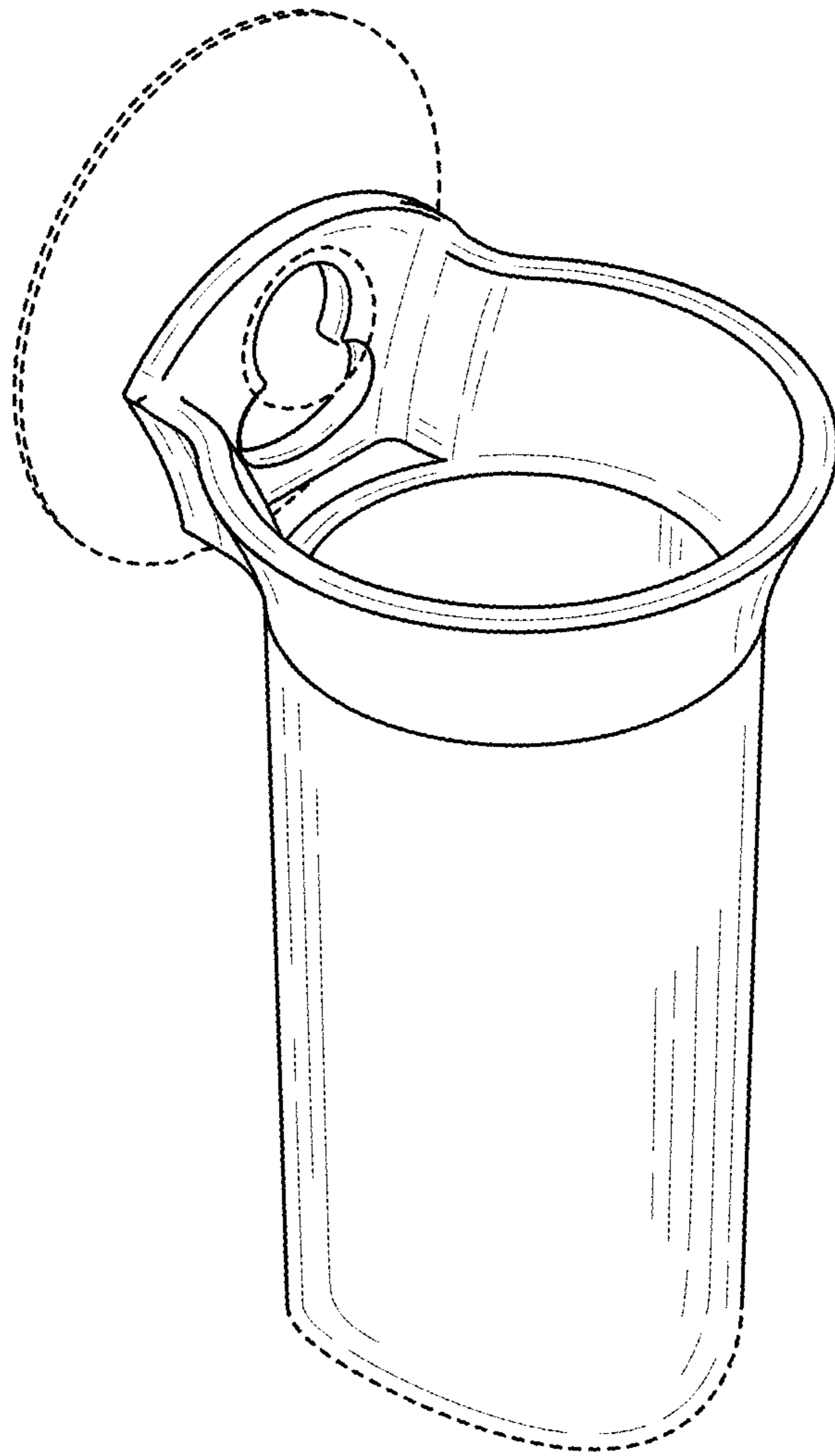


FIG. 1

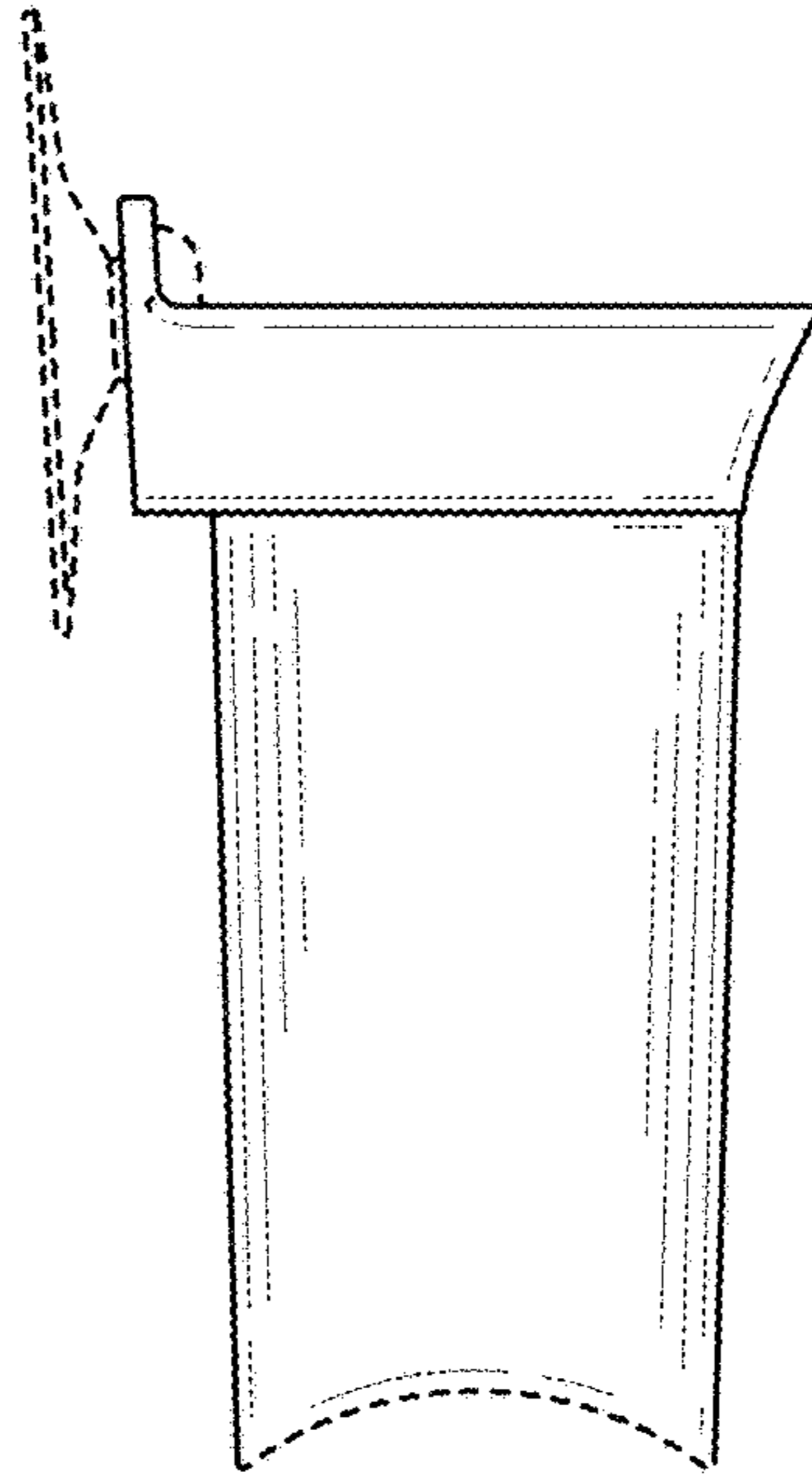


FIG. 2

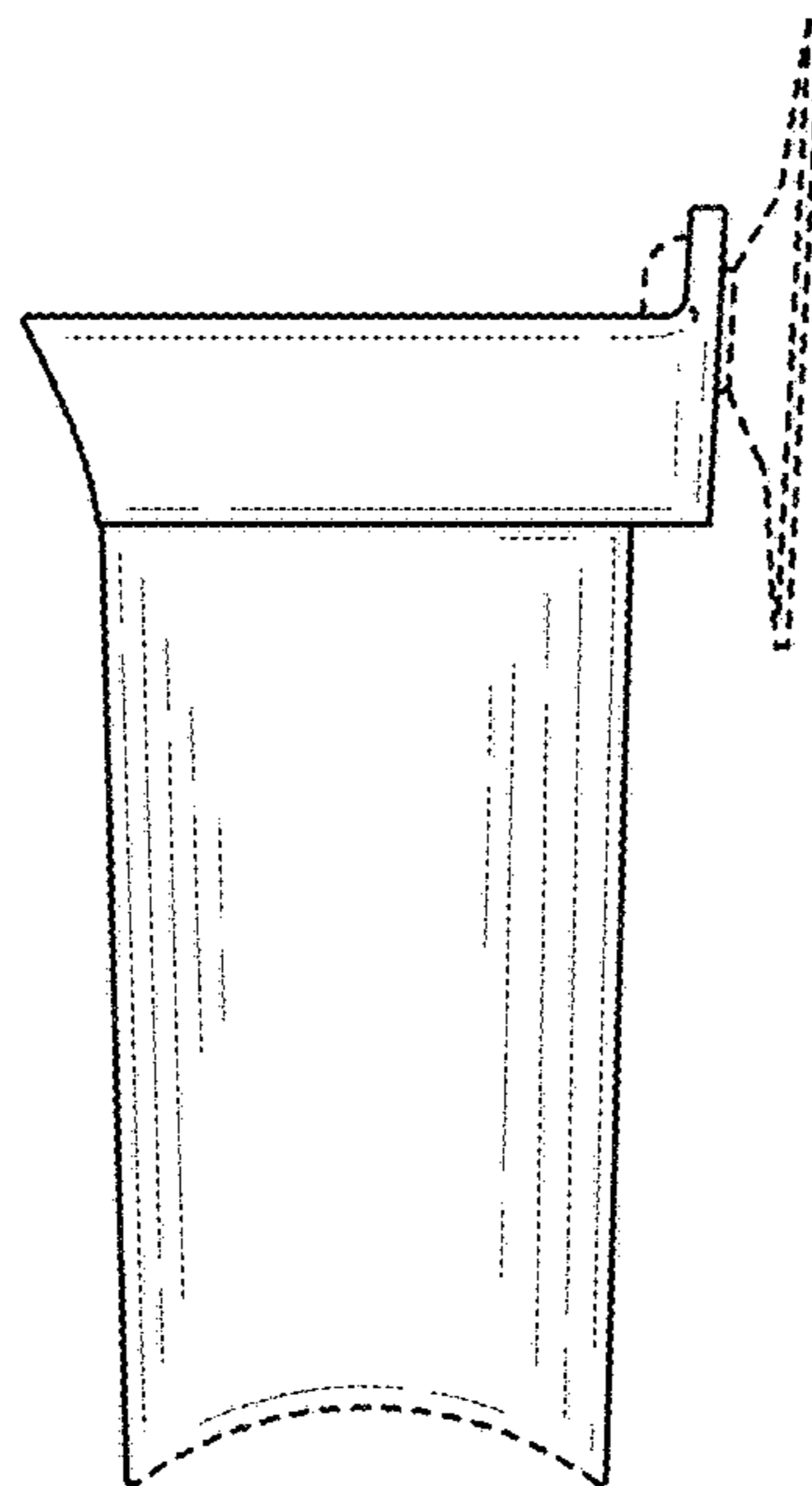


FIG. 3

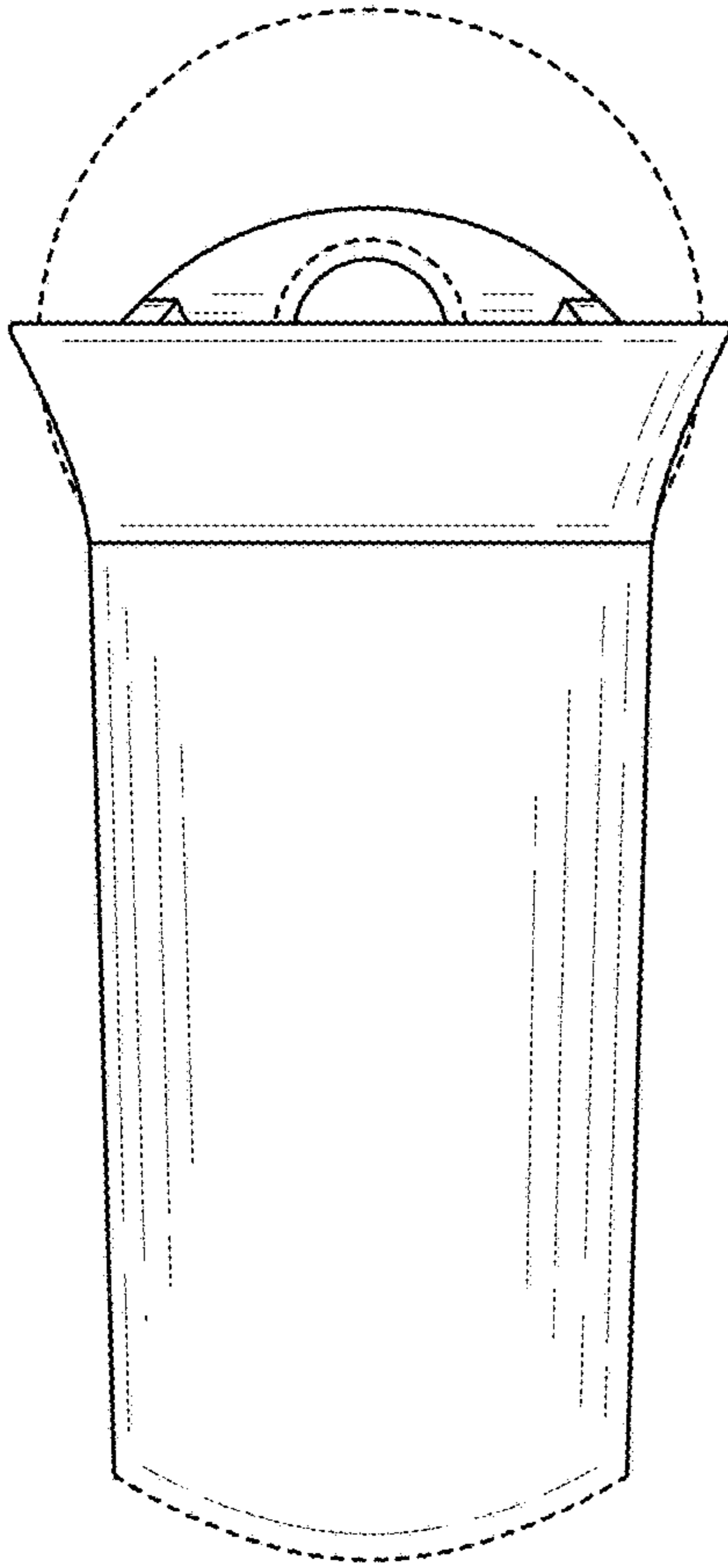


FIG. 4

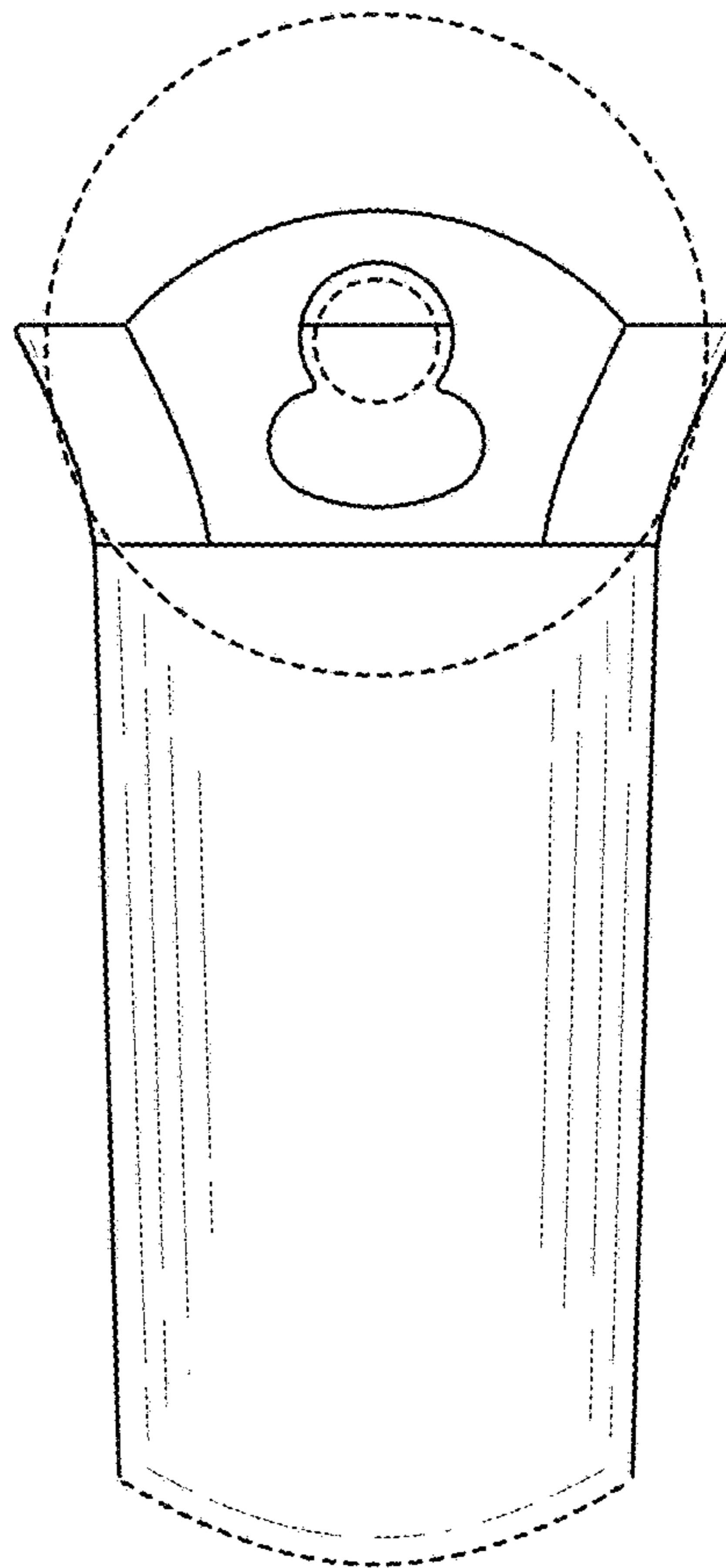


FIG. 5

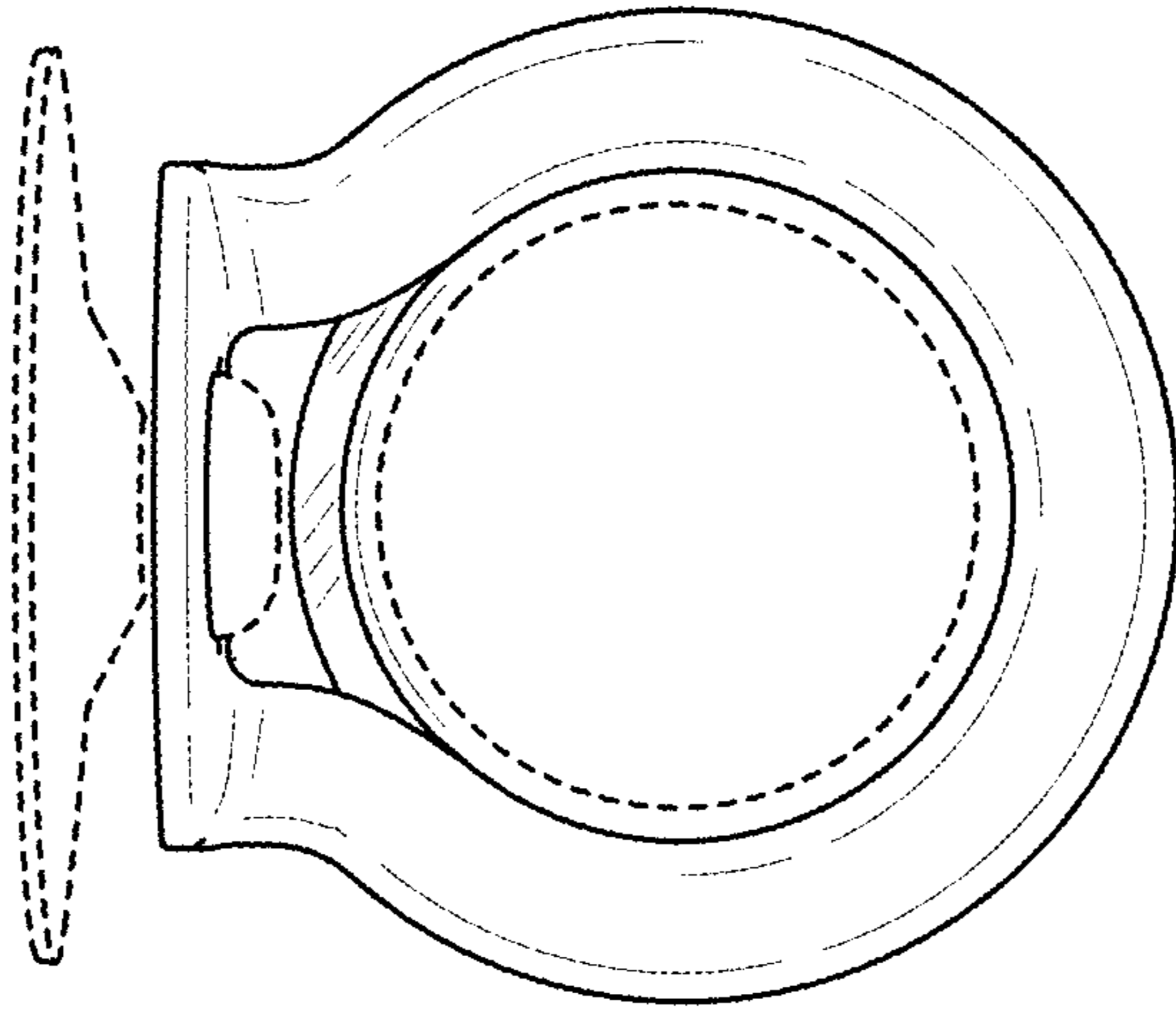


FIG. 6

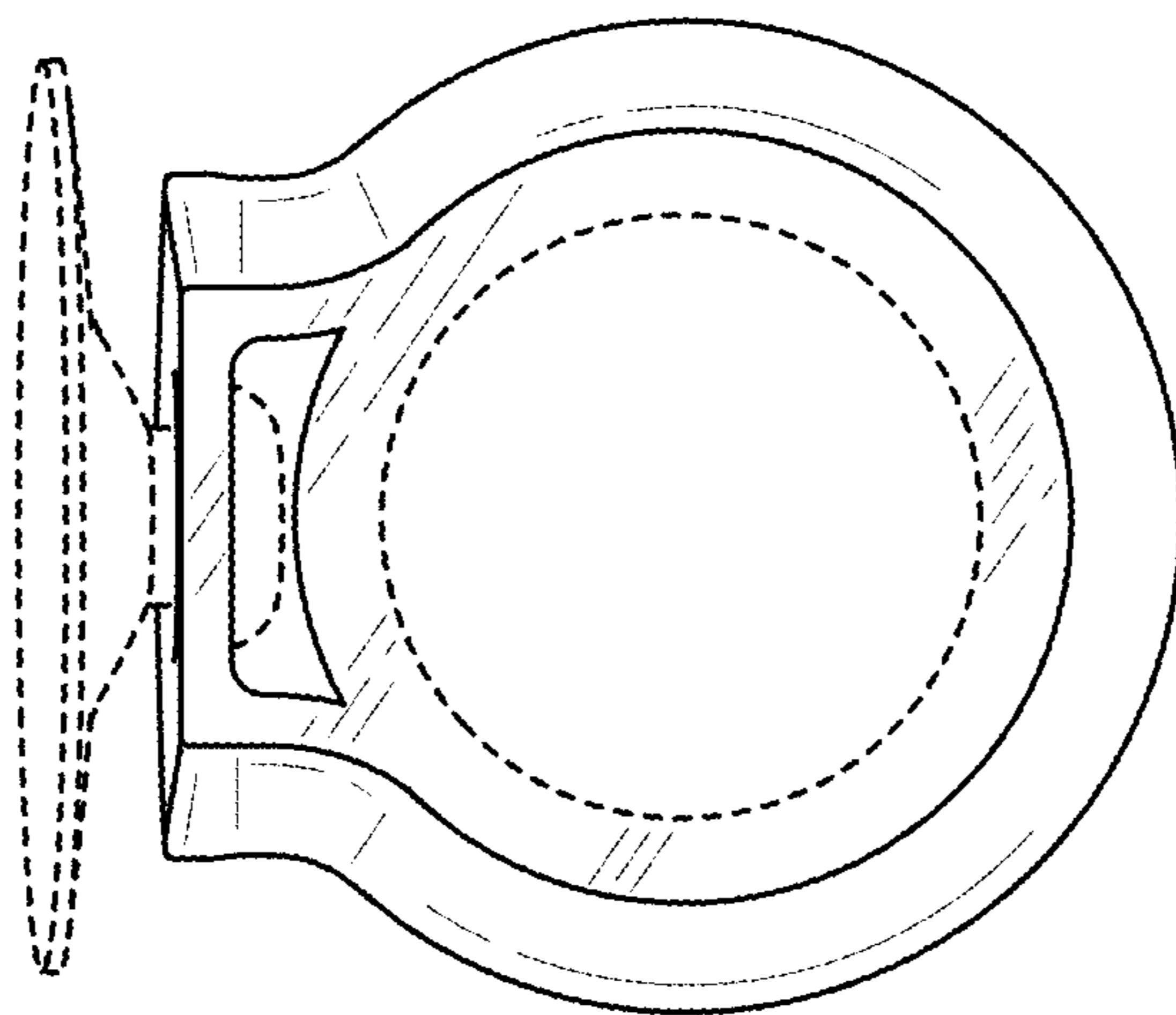


FIG. 7