



US00D848727S

(12) **United States Design Patent**
Rao et al.

(10) **Patent No.:** **US D848,727 S**

(45) **Date of Patent:** **** May 21, 2019**

- (54) **MISTING UMBRELLA HANDLE**
- (71) Applicant: **Raj Rao**, Newport Coast, CA (US)
- (72) Inventors: **Raj Rao**, Newport Coast, CA (US);
Andrew Namminga, Newport Beach, CA (US)
- (73) Assignee: **Raj Rao**, Newport Coast, CA (US)
- (**) Term: **15 Years**
- (21) Appl. No.: **29/614,255**
- (22) Filed: **Aug. 17, 2017**

- D416,073 S * 11/1999 Louis D23/213
- 5,979,793 A * 11/1999 Louis A45B 3/00
135/16
- 6,024,264 A * 2/2000 Java A45B 3/00
135/16
- D422,051 S * 3/2000 Louis, Jr. D23/213
- 6,158,669 A * 12/2000 Louis B05B 9/0805
239/146
- 6,298,866 B1 * 10/2001 Molnar, IV A45B 3/00
108/50.12
- 6,612,713 B1 * 9/2003 Kuelbs A45B 3/00
362/102
- 6,659,366 B1 * 12/2003 Walters B05B 9/0838
222/206
- D485,151 S * 1/2004 Lee D8/107
- 6,682,000 B1 * 1/2004 Apple A45B 3/00
239/289

Related U.S. Application Data

- (63) Continuation of application No. 29/612,854, filed on Aug. 4, 2017.
- (51) **LOC (11) Cl.** **03-03**
- (52) **U.S. Cl.**
USPC **D3/13**
- (58) **Field of Classification Search**
USPC D3/5, 6, 10, 12, 13, 14; D8/107;
D23/213, 214
CPC A45B 3/00; A45B 2009/002; A45B 9/02;
A45B 2025/003; A45B 25/165; A45B
2200/1009; A45B 2200/1045
See application file for complete search history.

References Cited

- (56) **U.S. PATENT DOCUMENTS**
- 5,000,384 A * 3/1991 Arnold A47C 1/14
165/48.2
- 5,143,107 A * 9/1992 Kelley A45B 3/00
135/16
- 5,299,588 A * 4/1994 MacLeod A45B 11/00
135/16
- 5,390,852 A * 2/1995 Schuenemann A47C 1/14
239/263.1
- D412,199 S * 7/1999 Louis D23/213

(Continued)

Primary Examiner — John Windmuller

Assistant Examiner — Steven J Czyz

(74) *Attorney, Agent, or Firm* — Rosenberg, Klein & Lee

(57) **CLAIM**

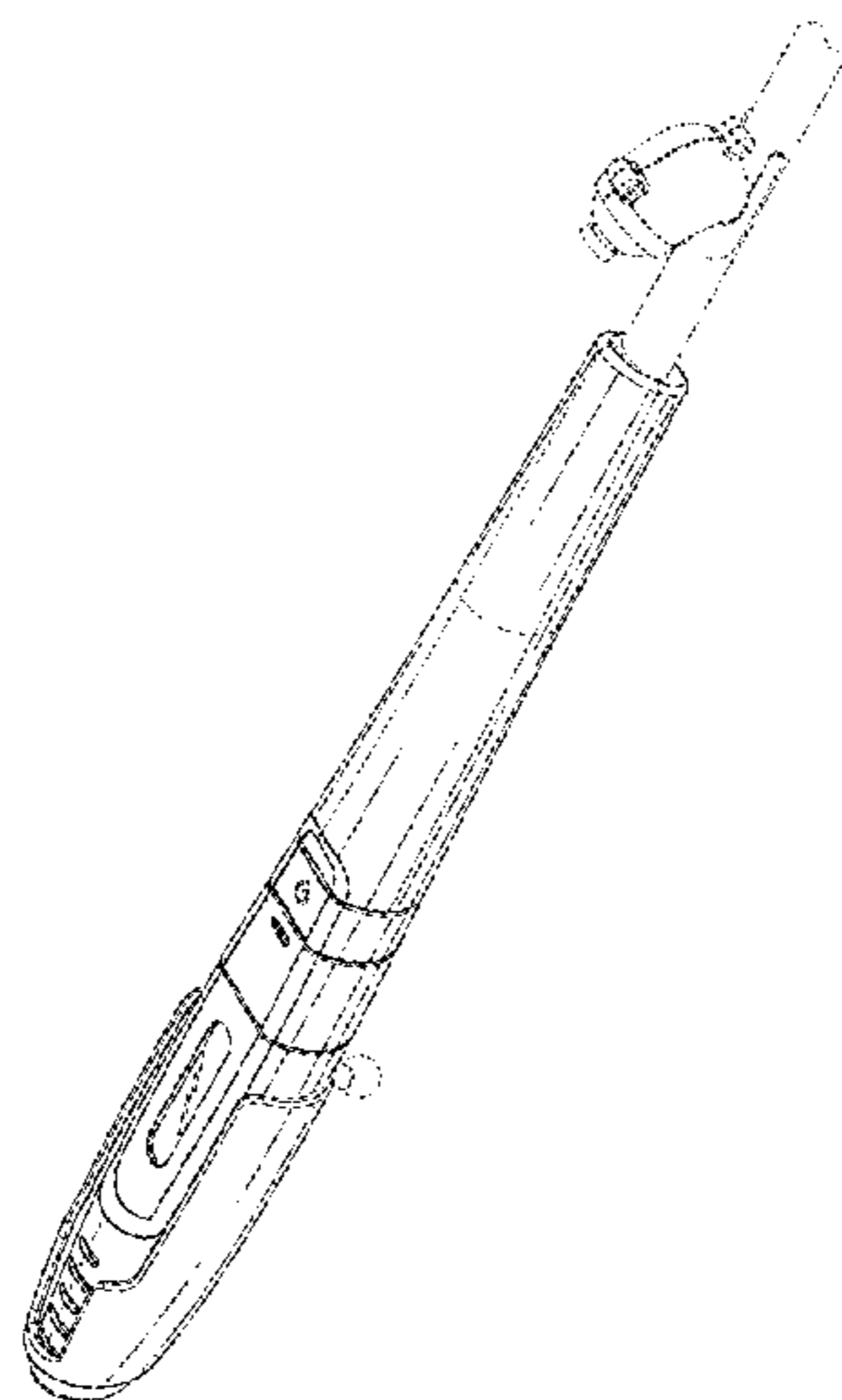
The ornamental design for a misting umbrella handle, as shown and described.

DESCRIPTION

FIG. 1 is a perspective view of a misting umbrella handle; FIG. 2 is a left side elevation view thereof; FIG. 3 is a right side elevation view thereof; FIG. 4 is a front elevation view thereof; FIG. 5 is a rear elevation view thereof; FIG. 6 is a top plan view thereof; FIG. 7 is a bottom plan view thereof; and, FIG. 8 is a perspective view of the mister umbrella handle shown in use with environment.

The broken lines depict portions of the article and environment that form no part of the claimed design.

1 Claim, 5 Drawing Sheets



(56)

References Cited

U.S. PATENT DOCUMENTS

6,886,759 B1 *	5/2005	Okronick	A45B 3/00 239/16	2005/0172987 A1 *	8/2005	Byrnes	A45B 3/00 135/33.5
7,150,162 B1 *	12/2006	Brunner	B62B 9/00 62/306	2005/0247074 A1 *	11/2005	Ellicott	F24F 1/025 62/261
7,252,329 B1 *	8/2007	O'Meally	A47C 1/143 297/180.15	2006/0042293 A1 *	3/2006	Ma	A45B 3/00 62/304
7,412,984 B1 *	8/2008	Spencer	A45B 3/00 135/16	2008/0011878 A1 *	1/2008	Maples	B05B 1/205 239/281
7,497,225 B1 *	3/2009	Klein, Jr.	A45B 3/00 135/118	2008/0048051 A1 *	2/2008	Chang	A45B 3/00 239/289
D656,807 S *	4/2012	Lucio	D8/107	2008/0179426 A1 *	7/2008	Johnson	A45B 3/00 239/289
8,496,232 B1 *	7/2013	Nelson	F24F 5/0035 261/28	2010/0078051 A1 *	4/2010	O'Neill	A45B 3/00 135/16
D695,002 S *	12/2013	Kato	D3/5	2010/0123023 A1 *	5/2010	Schnuckle	A45B 27/00 239/289
D703,290 S *	4/2014	Mora	D23/213	2012/0103376 A1 *	5/2012	Becher	A45B 3/00 135/16
D721,274 S *	1/2015	Herbst	D9/448	2013/0213446 A1 *	8/2013	Rao	A45B 3/00 135/16
D727,465 S *	4/2015	Gladstone	D23/214	2014/0190539 A1 *	7/2014	Mentuis	E04H 15/50 135/96
9,072,349 B1 *	7/2015	Thompson	A45B 25/00	2014/0360543 A1 *	12/2014	Steiner	A45B 3/00 135/66
D757,237 S *	5/2016	Gonzalez	D23/328	2015/0144165 A1 *	5/2015	Rao	A45B 3/00 135/16
9,554,630 B1 *	1/2017	Patel	A45B 25/02	2016/0207058 A1 *	7/2016	Mangum	B05B 9/0423
D789,764 S *	6/2017	Meier	D4/138	2017/0083050 A1 *	3/2017	Chen	B05B 15/68
2002/0078985 A1 *	6/2002	Farr	A45B 3/00 135/16	2017/0196323 A1 *	7/2017	Rao	A45B 25/18
2004/0129303 A1 *	7/2004	Dong	A45B 3/00 135/16	2018/0049523 A1 *	2/2018	Zadie	A45B 3/04
2005/0161066 A1 *	7/2005	Ma	A45B 23/00 135/16				

* cited by examiner

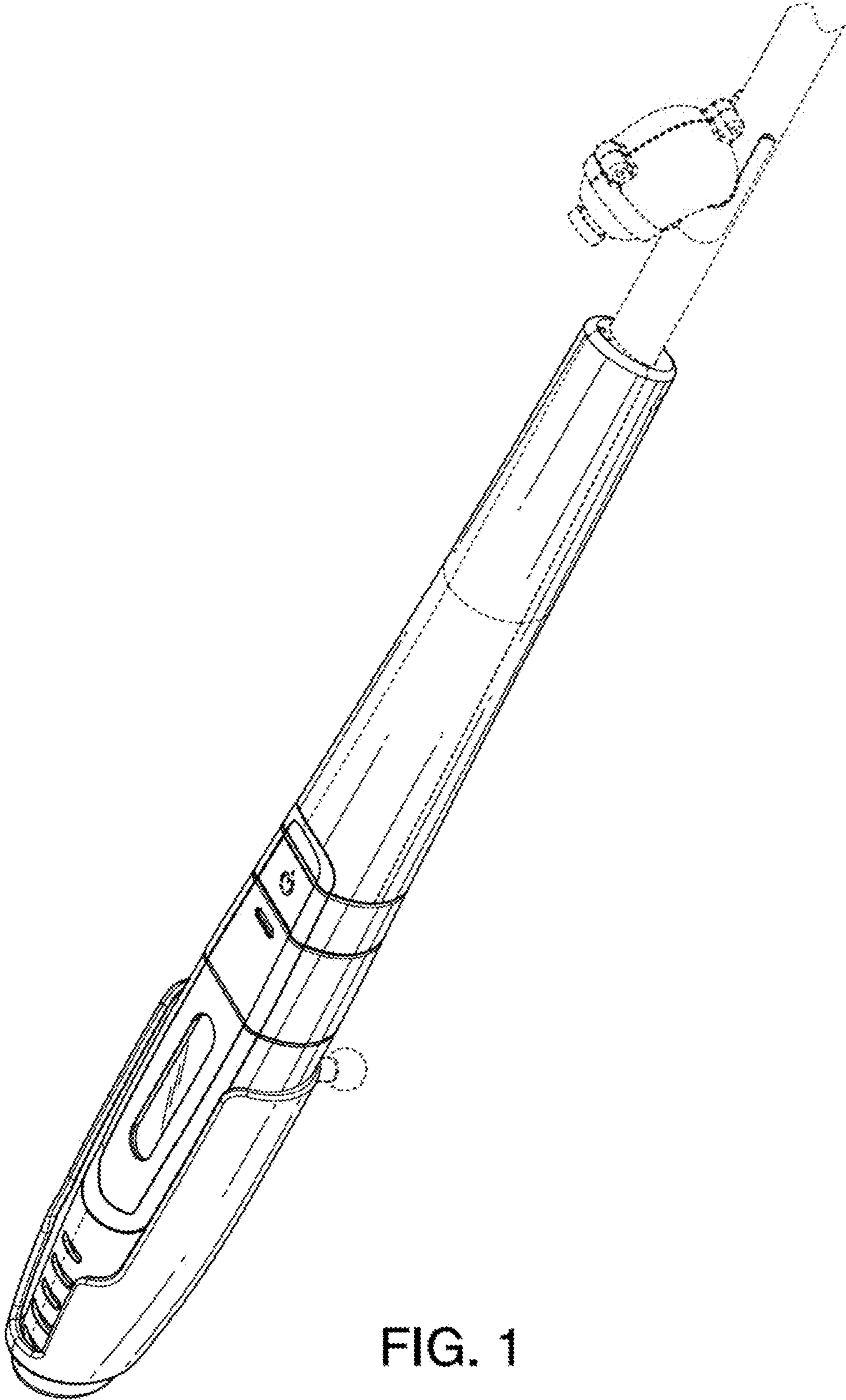


FIG. 1

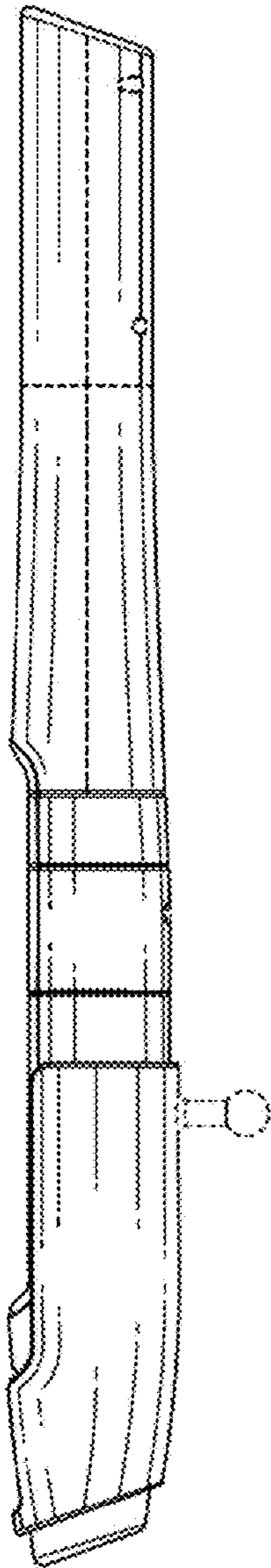


FIG. 2

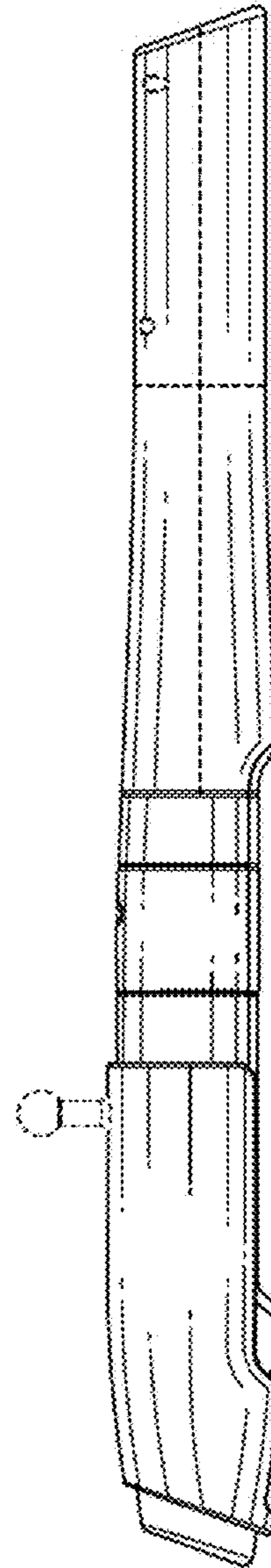


FIG. 3

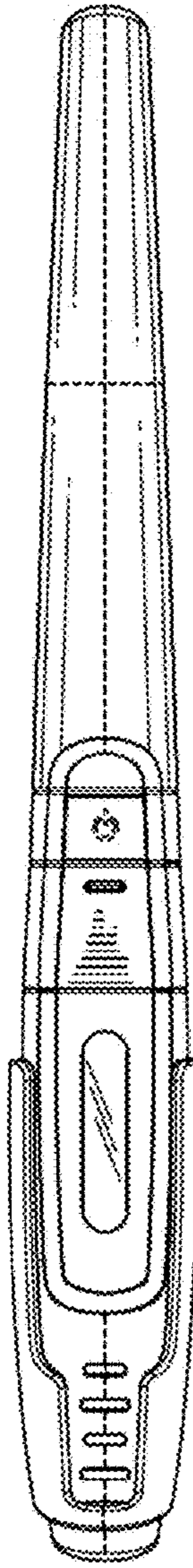


FIG. 4

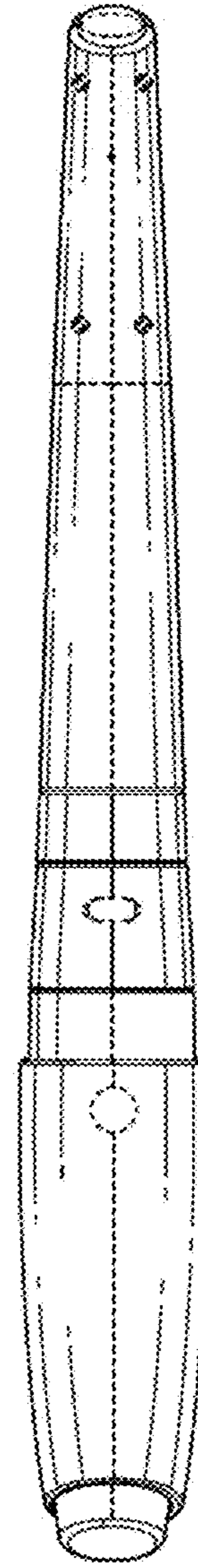


FIG. 5

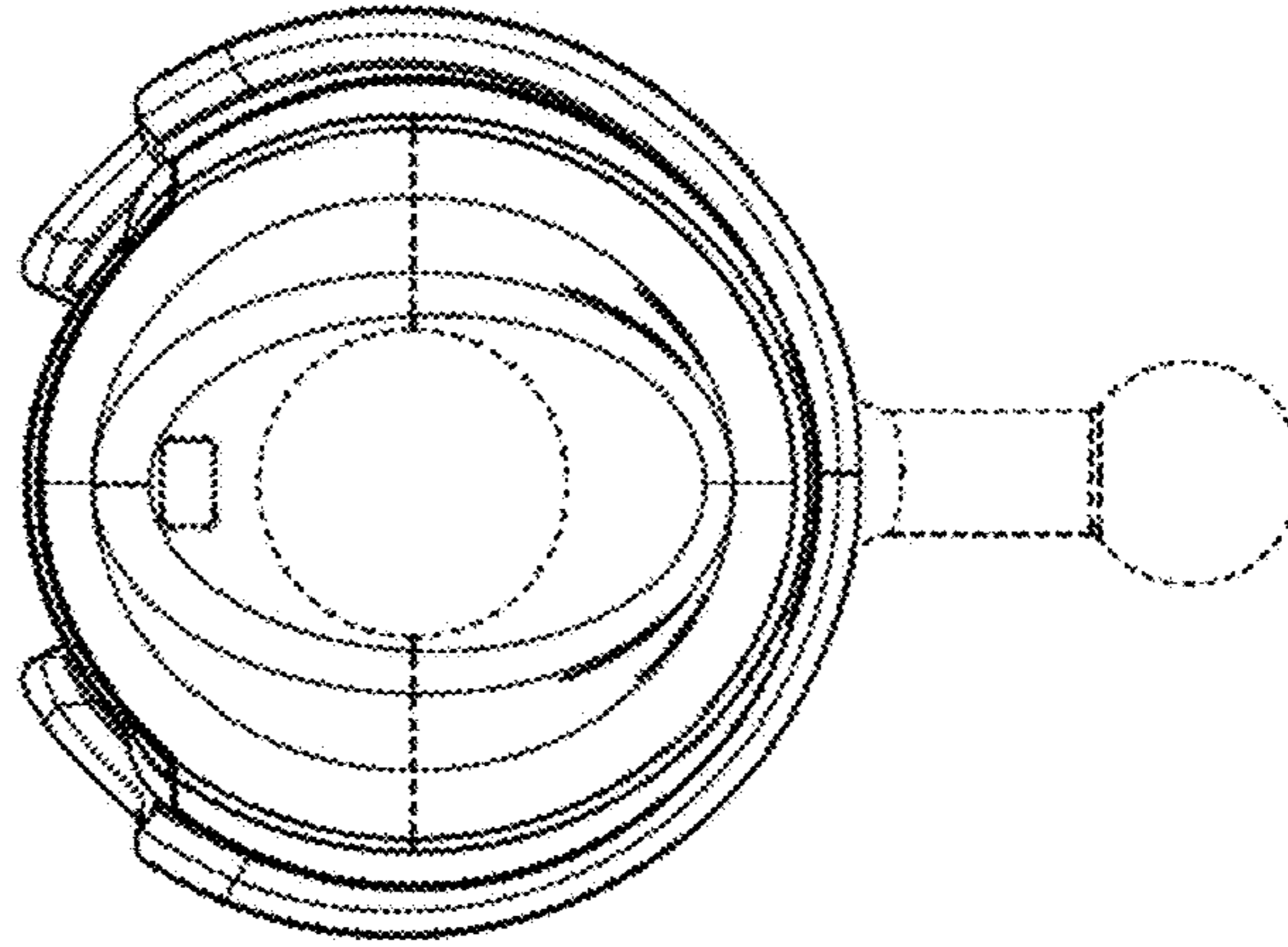


FIG. 6

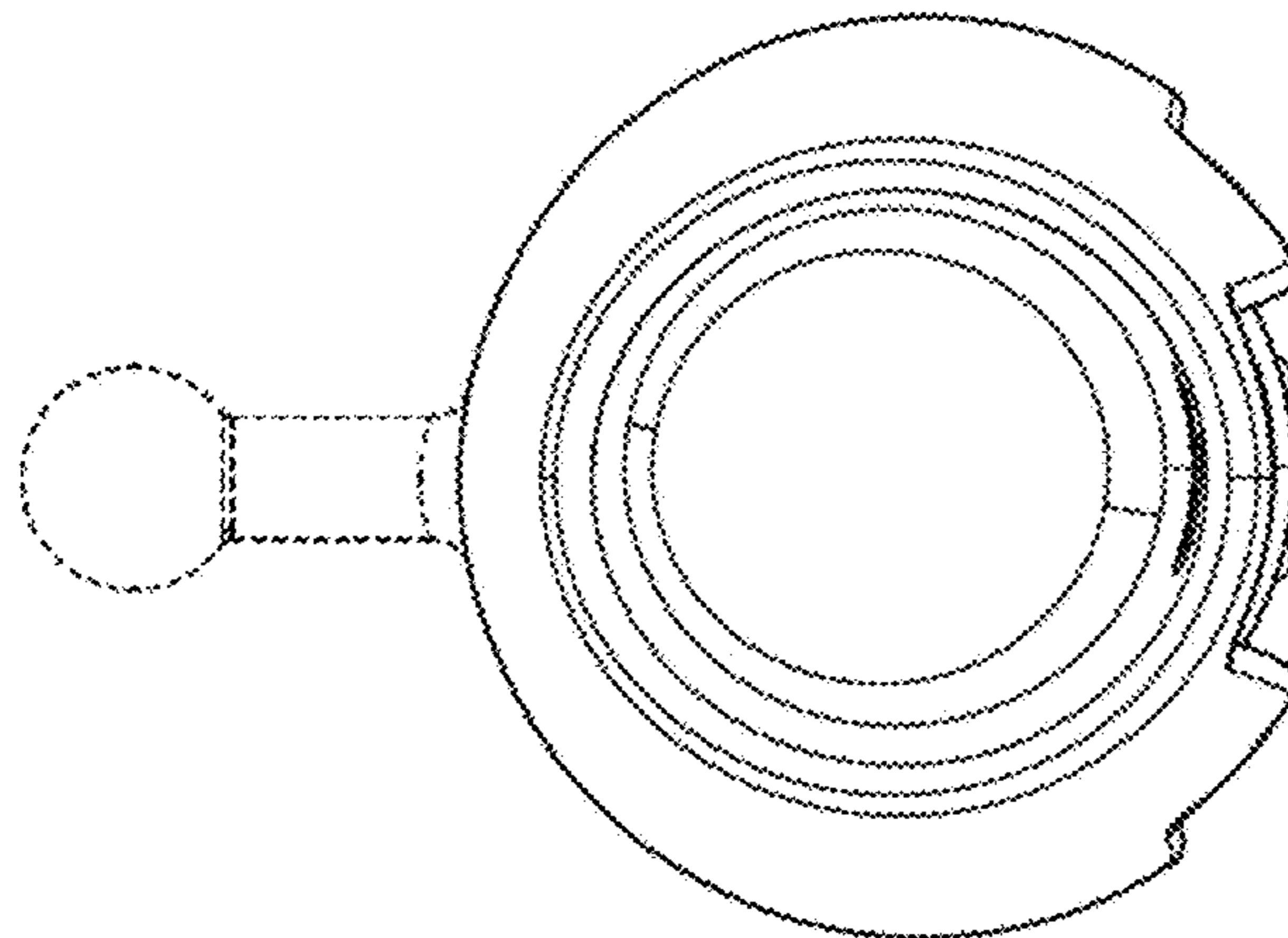


FIG. 7

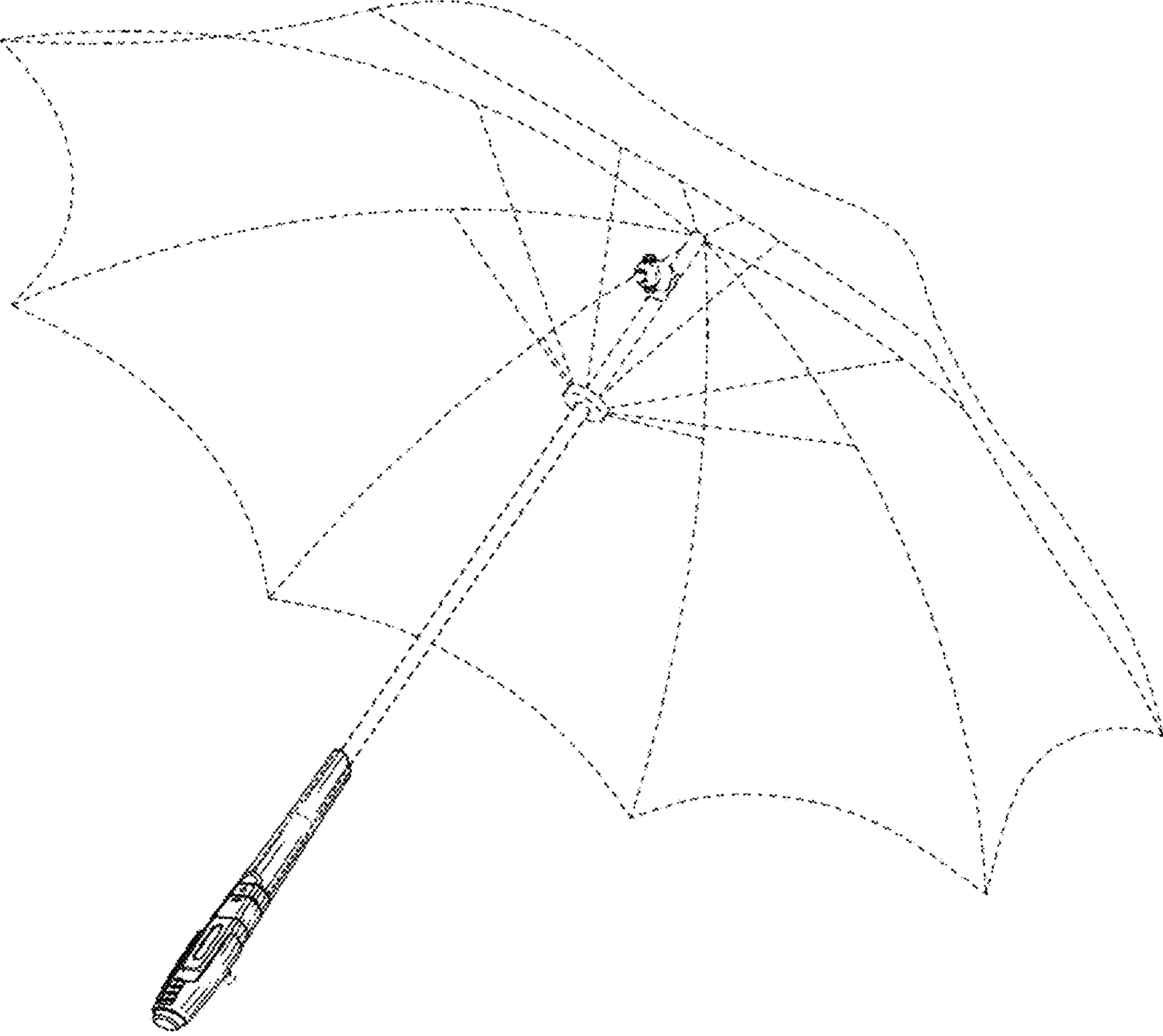


FIG.8