



US00D848705S

(12) **United States Design Patent**
Pandolfino

(10) **Patent No.:** **US D848,705 S**

(45) **Date of Patent:** **** May 21, 2019**

(54) **NECKWEAR TO HOUSE AND DISPLAY METALLIC BARS**

(71) Applicant: **PATUGA LLC**, Clarence, NY (US)

(72) Inventor: **Joseph Pandolfino**, Clarence, NY (US)

(73) Assignee: **PATUGA LLC**, Clarence, NY (US)

(**) Term: **15 Years**

(21) Appl. No.: **29/667,398**

(22) Filed: **Oct. 22, 2018**

Related U.S. Application Data

(62) Division of application No. 29/653,637, filed on Jun. 18, 2018, now Pat. No. Des. 834,990, which is a
(Continued)

(51) **LOC (11) Cl.** **02-05**

(52) **U.S. Cl.**
USPC **D2/605; D11/79**

(58) **Field of Classification Search**
USPC D2/600, 601, 602, 603, 604, 605, 606,
D2/607, 608, 609, 627, 633, 637;
(Continued)

(56) **References Cited**

U.S. PATENT DOCUMENTS

171,744 A 1/1876 Smith
248,785 A 10/1881 Pardee
(Continued)

FOREIGN PATENT DOCUMENTS

AT 389630 B 1/1990
CN 2888922 Y 4/2007
(Continued)

OTHER PUBLICATIONS

Engineering Corner, <https://www.shapeways.com/product/MUT37CQWA/articulated-necktie-clips-on-to-your-top-button>; author and publication date unknown.

(Continued)

Primary Examiner — Karen S Acker

Assistant Examiner — Jasmine Mlinarcik

(74) *Attorney, Agent, or Firm* — Sughrue Mion, PLLC

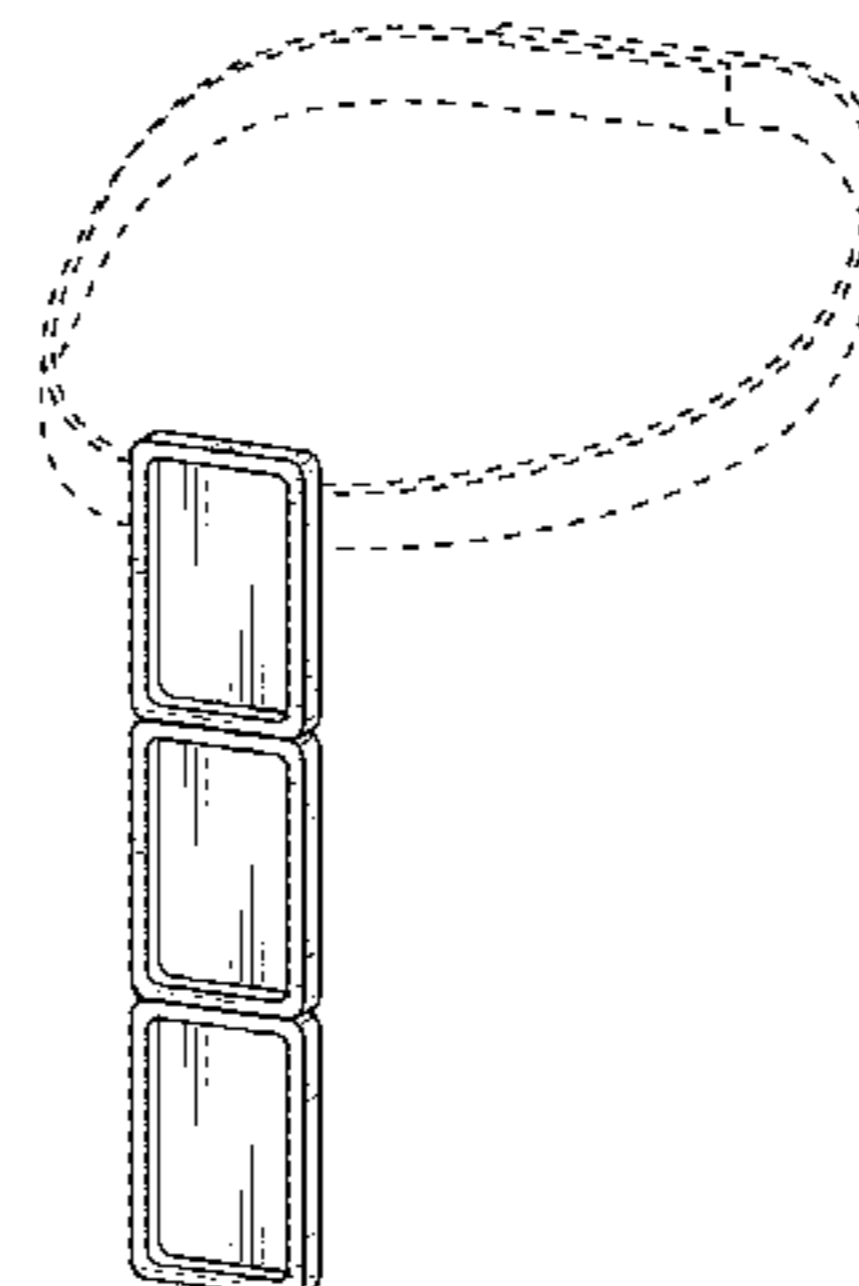
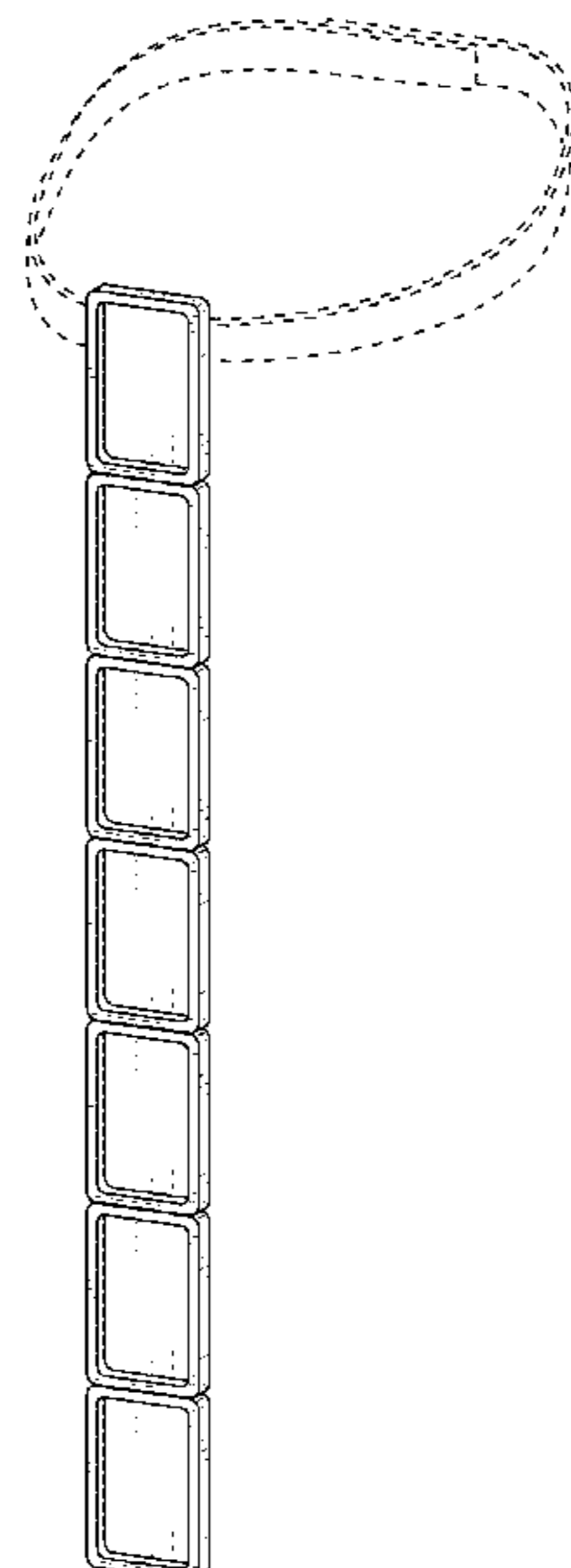
(57) **CLAIM**

The ornamental design for a neckwear to house and display metallic bars, as shown and described.

DESCRIPTION

FIG. 1 is a front view of a first embodiment of a neckwear to house and display metallic bars showing my new design; FIG. 2 is a rear view thereof; FIG. 3 is a right side view thereof; FIG. 4 is a left side view thereof; FIG. 5 is a top view thereof; FIG. 6 is a bottom view thereof; FIG. 7 is a front perspective view thereof; FIG. 8 is a front view of a second embodiment of the neckwear to house and display metallic bars showing my new design; FIG. 9 is a rear view thereof; FIG. 10 is a right side view thereof; FIG. 11 is a left side view thereof; FIG. 12 is a top view thereof; FIG. 13 is a bottom view thereof; and, FIG. 14 is a front perspective view thereof. The broken lines depict portions of the neckwear to house and display metallic bars that form no part of the claimed design.

1 Claim, 8 Drawing Sheets



Related U.S. Application Data

division of application No. 29/629,735, filed on Dec. 15, 2017, now Pat. No. Des. 824,795.

(58) **Field of Classification Search**

USPC D3/207; D6/300; D8/323, 325, 327, D8/328; D11/1, 2, 3, 7, 8, 12, 19, 79
CPC A41D 23/00; A41D 25/00; A41D 25/003; A41D 25/005; A41D 25/006; A41D 25/008; A41D 25/02; A41D 25/06

See application file for complete search history.

(56) **References Cited**

U.S. PATENT DOCUMENTS

301,520	A	7/1884	Redding	
318,754	A	5/1885	Latulip	
320,499	A	6/1885	Prowse	
340,879	A	4/1886	Jahnke	
376,334	A	1/1888	Moore	
398,435	A	2/1889	Noortwyck	
437,471	A	9/1890	Archer	
663,916	A	12/1900	Markwell et al.	
714,179	A	11/1902	Harris	
748,370	A	12/1903	Harris	
775,777	A	11/1904	Naret et al.	
2,129,491	A	9/1938	Chilson	
2,176,253	A	10/1939	Fogarty	
2,378,755	A	6/1945	Dowling	
D178,725	S	* 9/1956	Flynn	D2/637
3,173,541	A	* 3/1965	Cummings	B65D 73/0085 206/278
D230,540	S	* 3/1974	Gillman	D2/632
D249,339	S	9/1978	Coulthurst	
4,546,494	A	10/1985	Garber	
4,627,113	A	12/1986	Lord	
D301,520	S	* 6/1989	Campbell	D2/608
D306,707	S	3/1990	De Frahan	
D311,356	S	10/1990	De Frahan	
D318,754	S	8/1991	Hughes	
5,036,550	A	8/1991	Wilsey	
D320,499	S	10/1991	White et al.	
D322,227	S	12/1991	Warhol	
5,238,528	A	8/1993	Heinrich	

D340,005	S	10/1993	Butler, Jr.	
D340,871	S	11/1993	Iwamura	
D340,879	S	* 11/1993	French	D11/3
5,673,434	A	10/1997	Risk	
D457,287	S	* 5/2002	Geisen	D2/608
D469,249	S	1/2003	Cain	
D605,376	S	12/2009	Dickerson	
D615,447	S	5/2010	Raum	
D619,919	S	7/2010	Harding	
D663,916	S	7/2012	Bracey	
D712,297	S	9/2014	Taylor-Cattapan	
D748,370	S	2/2016	Johnson	
D763,116	S	8/2016	Visconti	
D775,777	S	* 1/2017	Peral	D2/605
D776,555	S	1/2017	Bryant	
D800,991	S	* 10/2017	Gordon	D2/627
D811,923	S	3/2018	Bryant	
D817,592	S	5/2018	Pandolfino	
D824,795	S	* 8/2018	Pandolfino	D11/79
10,136,689	B1	* 11/2018	Pandolfino	A41D 25/005
D834,989	S	* 12/2018	Pandolfino	D11/79
D834,990	S	* 12/2018	Pandolfino	D11/79
2018/0168254	A1	* 6/2018	Pandolfino	A41D 25/005

FOREIGN PATENT DOCUMENTS

JP	2010-248641	A	11/2010
WO	88/06414	A1	9/1988

OTHER PUBLICATIONS

The fusionguy, <https://thefusionguy.wordpress.com/category/woodworking/>; author and publication date unknown.
<http://woodknot.com/>; author and publication date unknown.
<http://www.jebiga.com/cams-wooden-ties-new-take-fashion/>; author and publication date unknown.
<https://www.vat19.com/item/wood-tie>; author and publication date unknown.
Stoneforlife; [https://www.etsy.com/listing/570676239/pave-diamond-rectangle-moonstone-charm?gpla=1 &gao=1&utm_campaign=shopping_us_stoneforlife_sfc_osa&utm_medium=cpc&utm_source=google&utm_custom1=0&utm_content=16154542&gclid=EA1alQobChMIh66Zo6_T2AIVxYqzCh3y3g50EAQYBCABEgJOuPD_BwE](https://www.etsy.com/listing/570676239/pave-diamond-rectangle-moonstone-charm?gpla=1&gao=1&utm_campaign=shopping_us_stoneforlife_sfc_osa&utm_medium=cpc&utm_source=google&utm_custom1=0&utm_content=16154542&gclid=EA1alQobChMIh66Zo6_T2AIVxYqzCh3y3g50EAQYBCABEgJOuPD_BwE); author and publication date unknown.

* cited by examiner

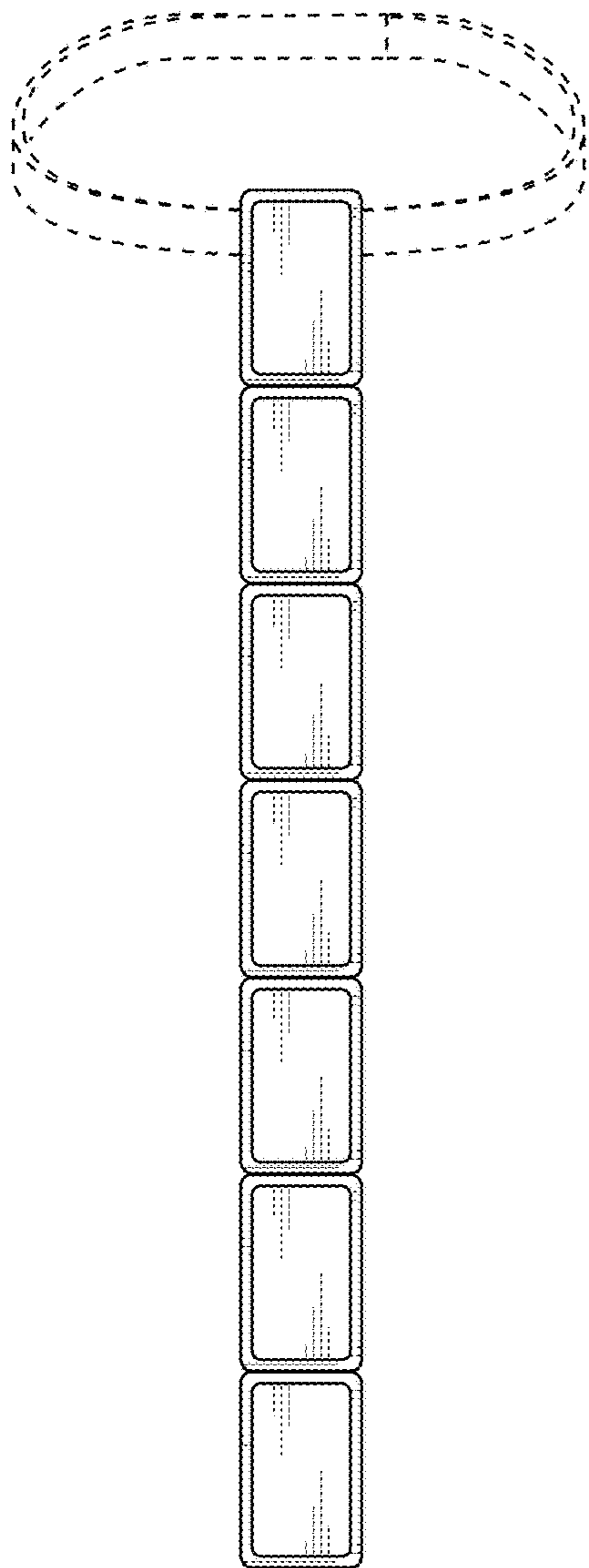


FIG. 1

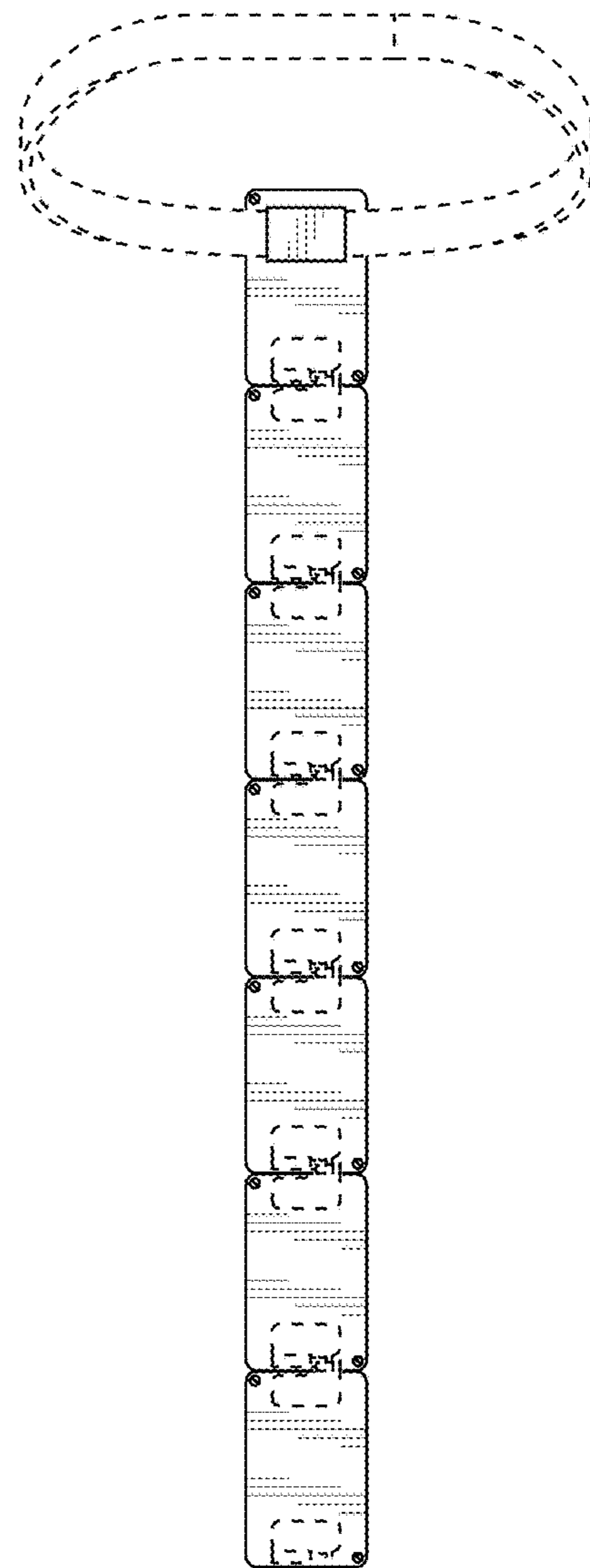


FIG. 2

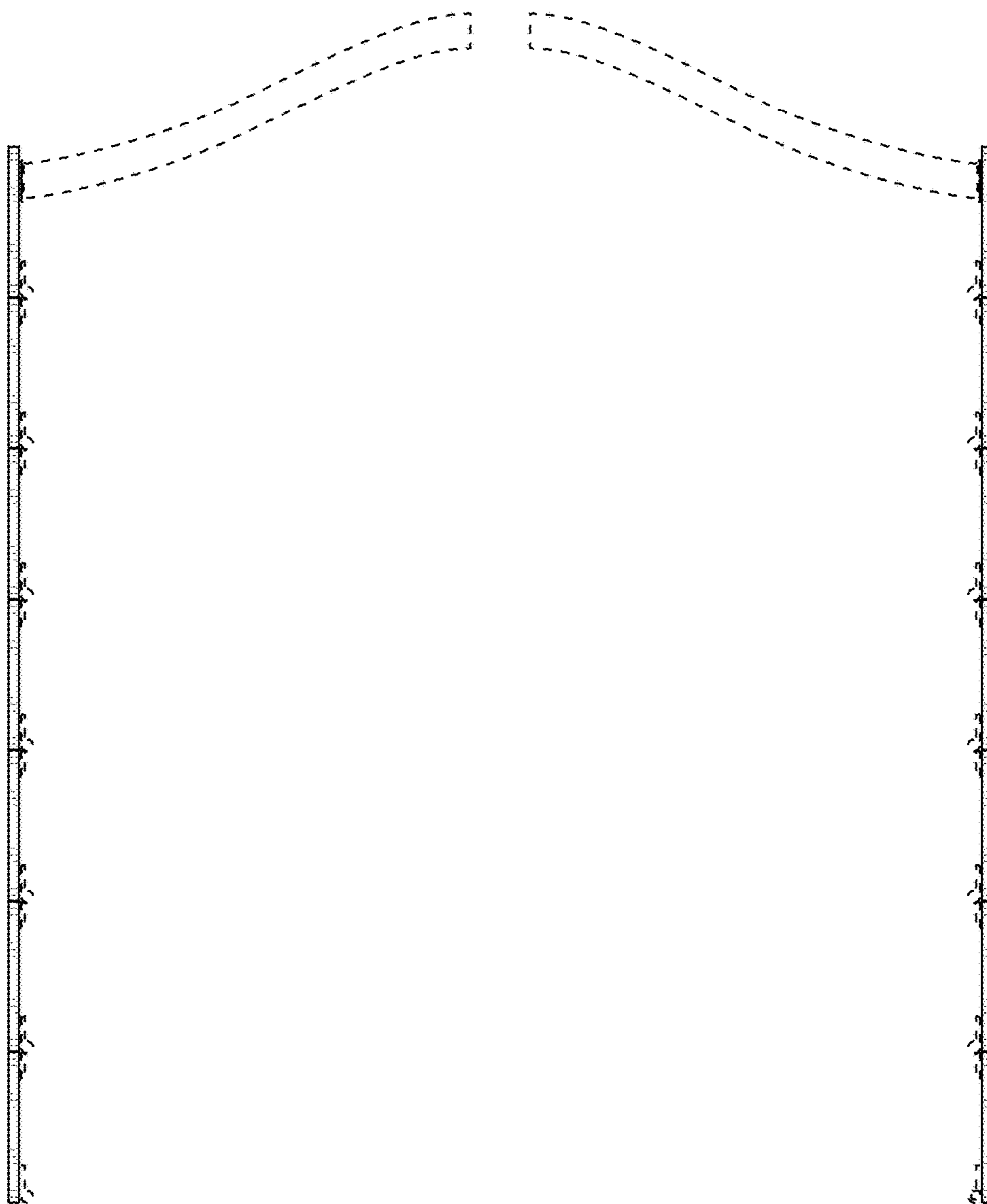


FIG. 3

FIG. 4

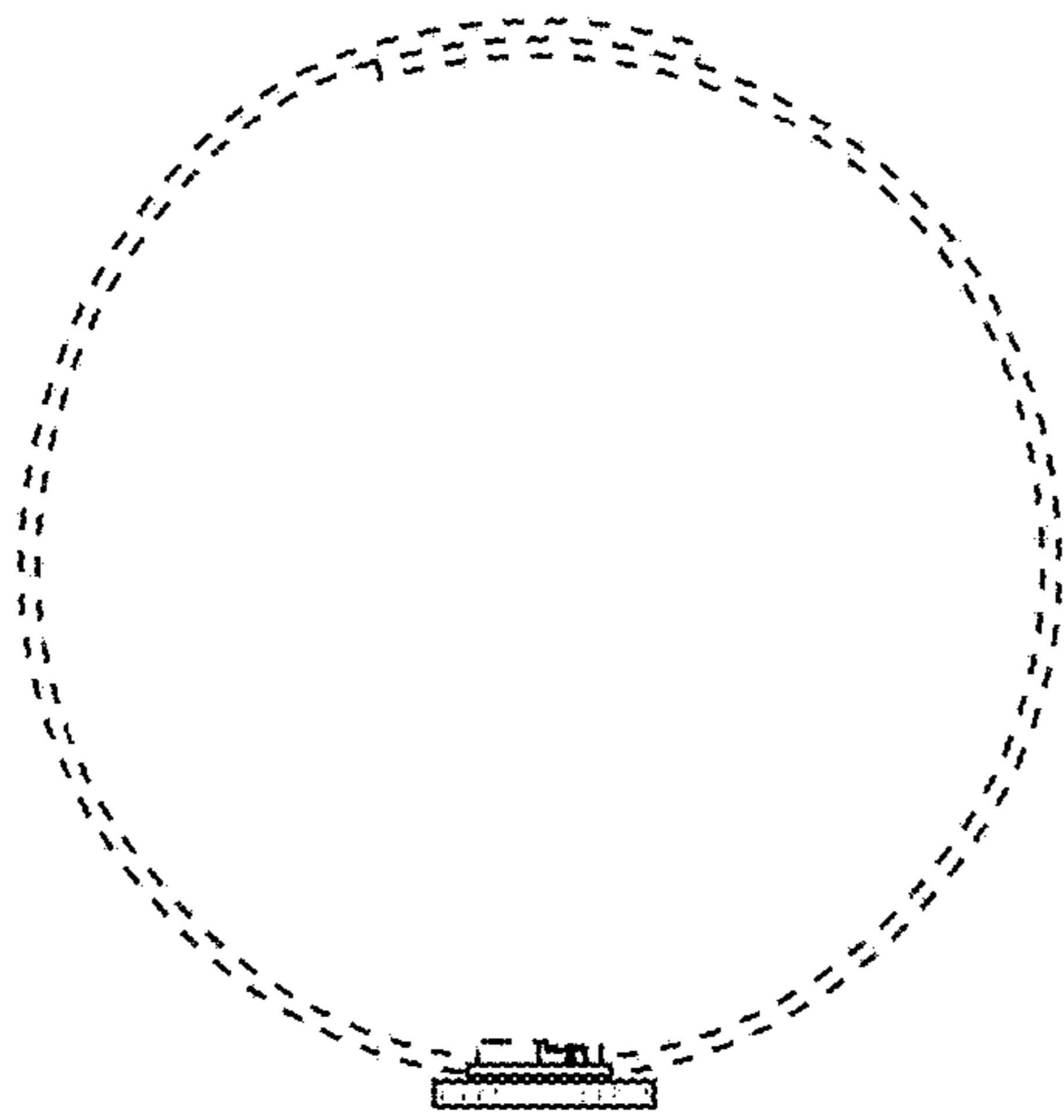


FIG. 5

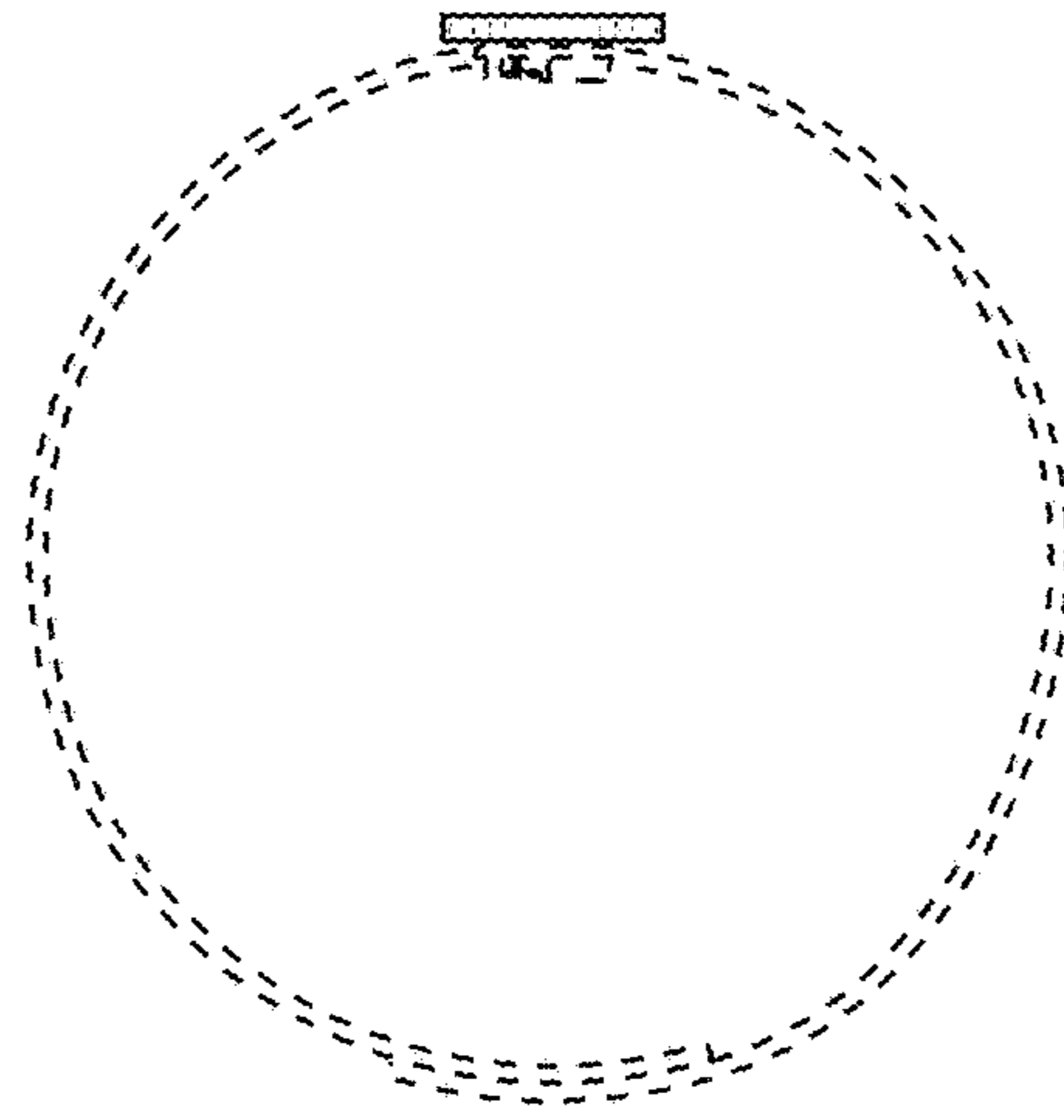


FIG. 6

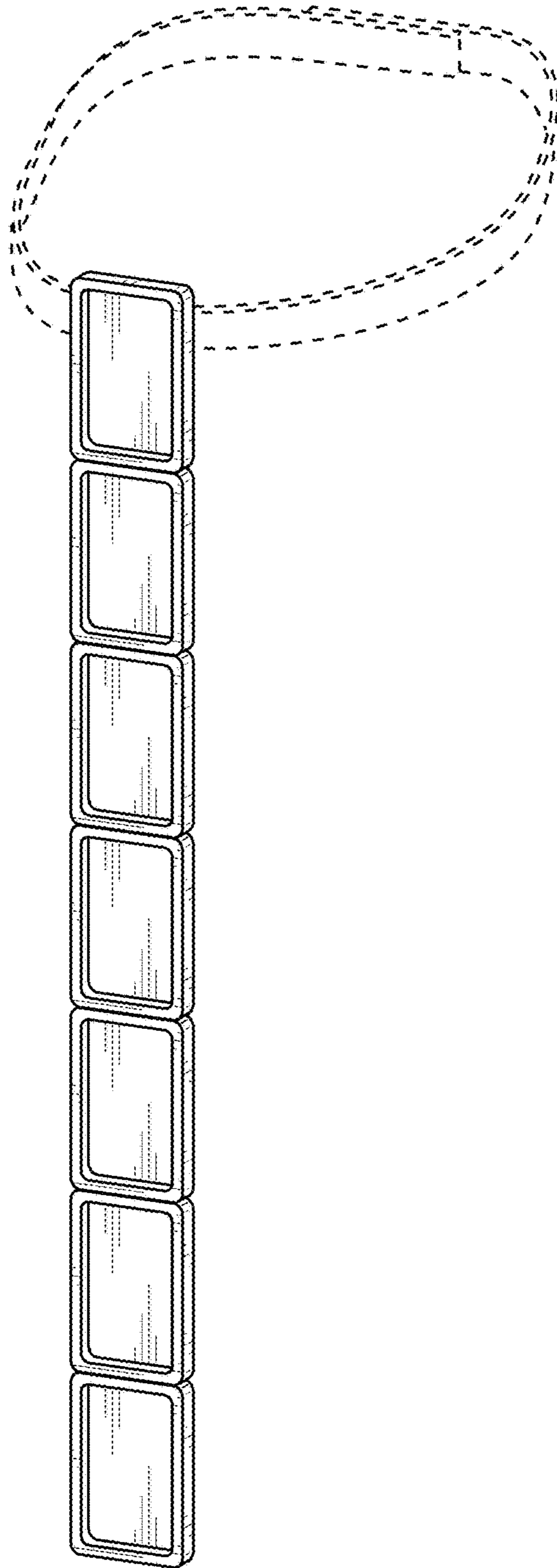


FIG. 7

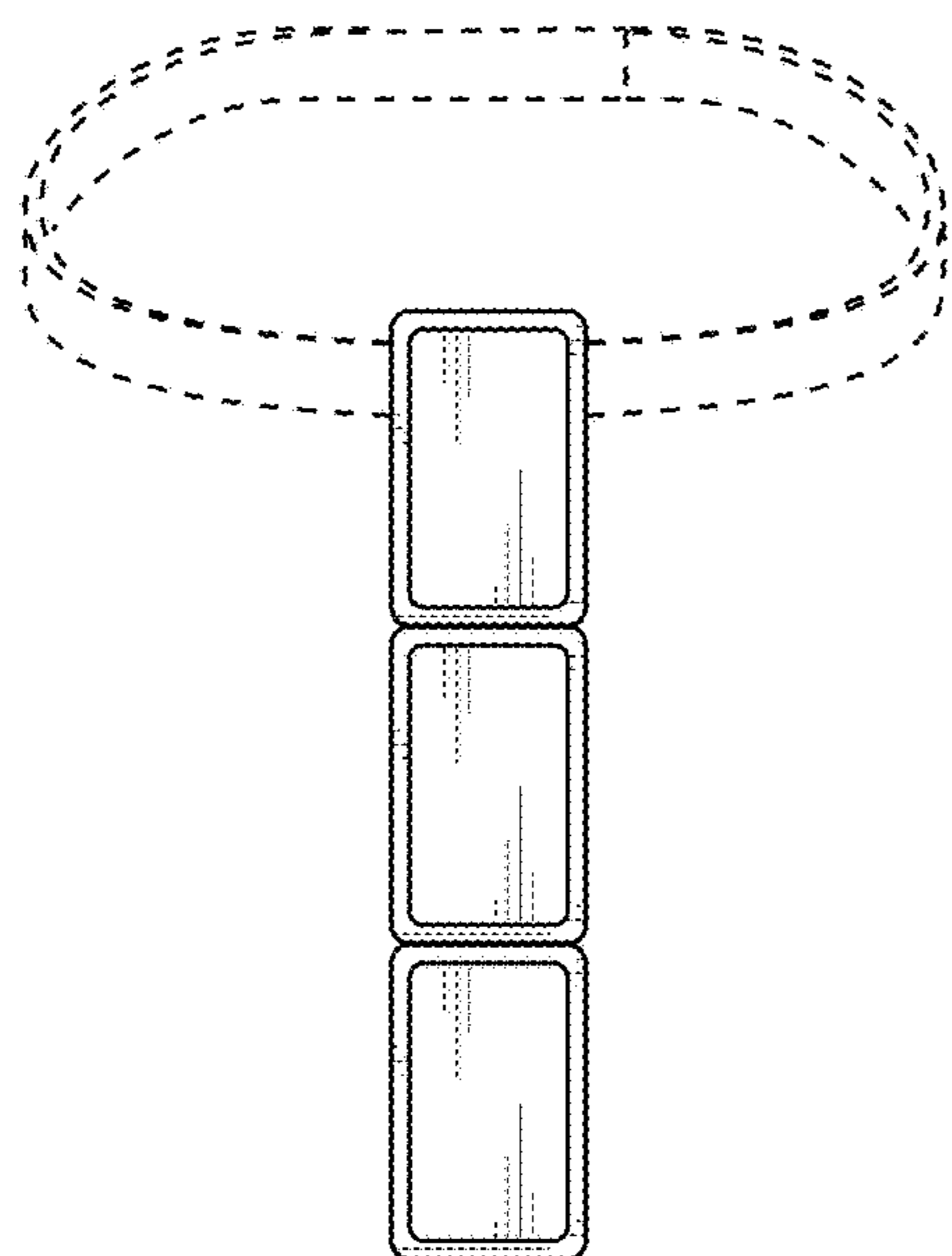


FIG. 8

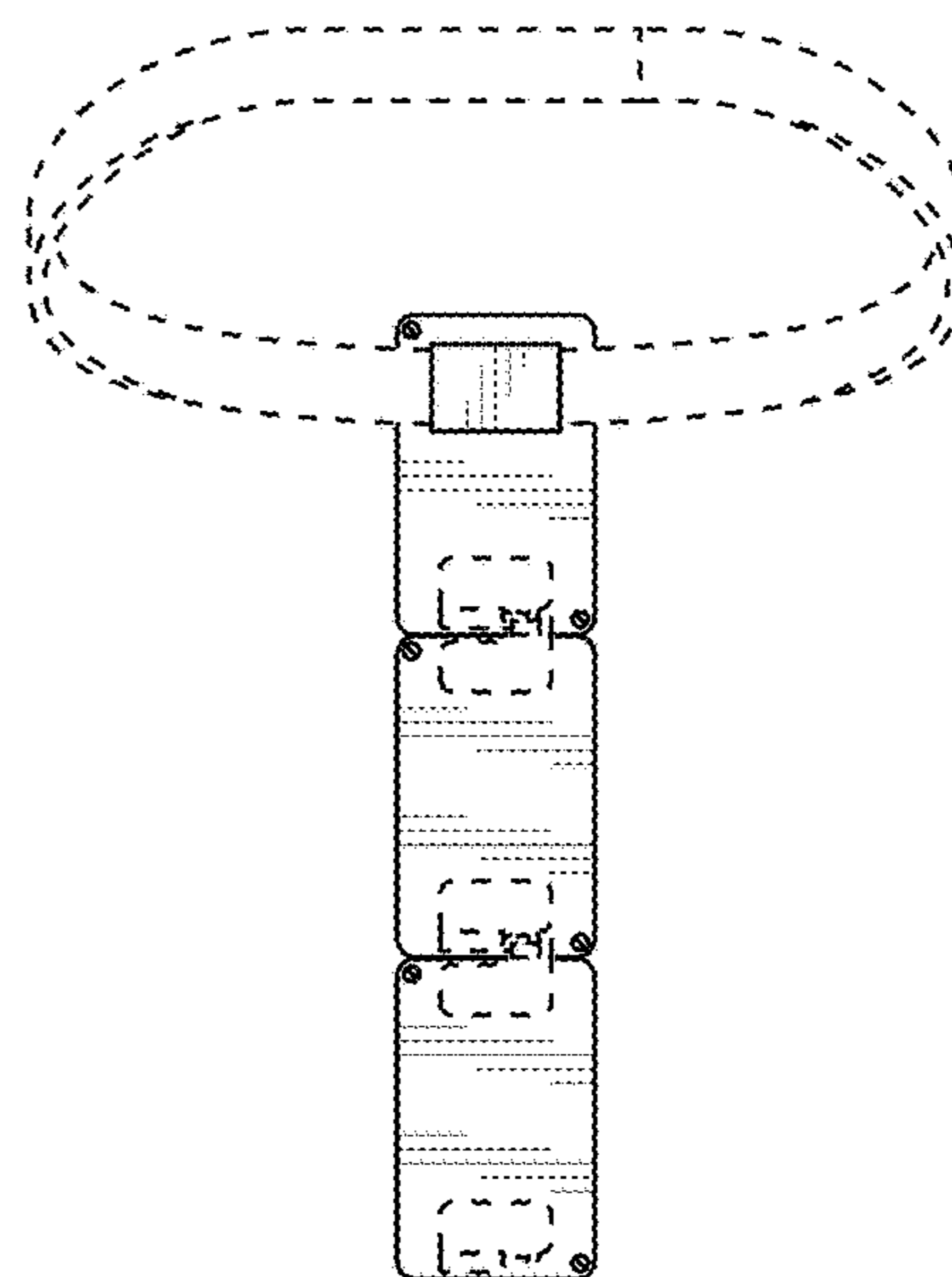


FIG. 9

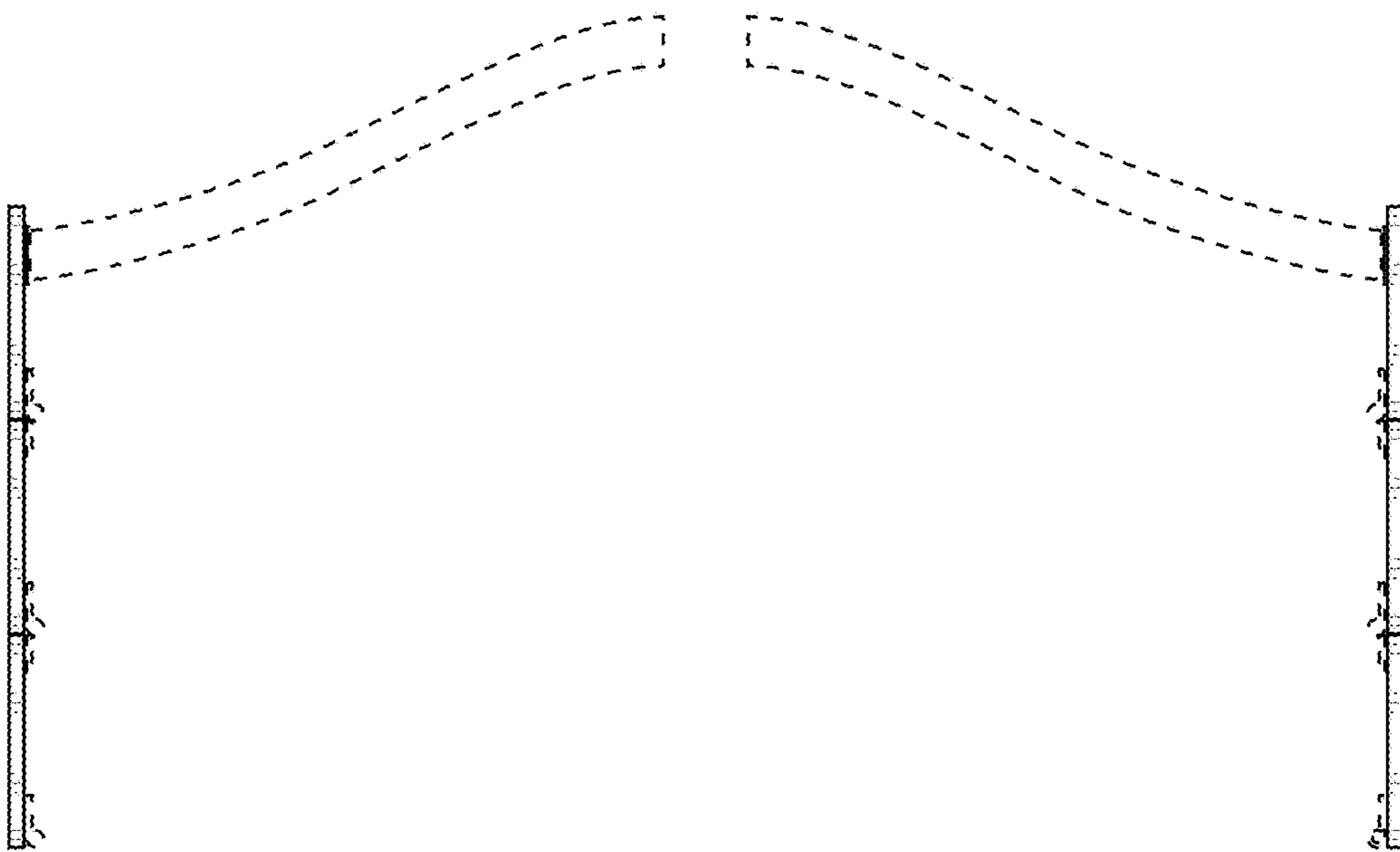


FIG. 10

FIG. 11

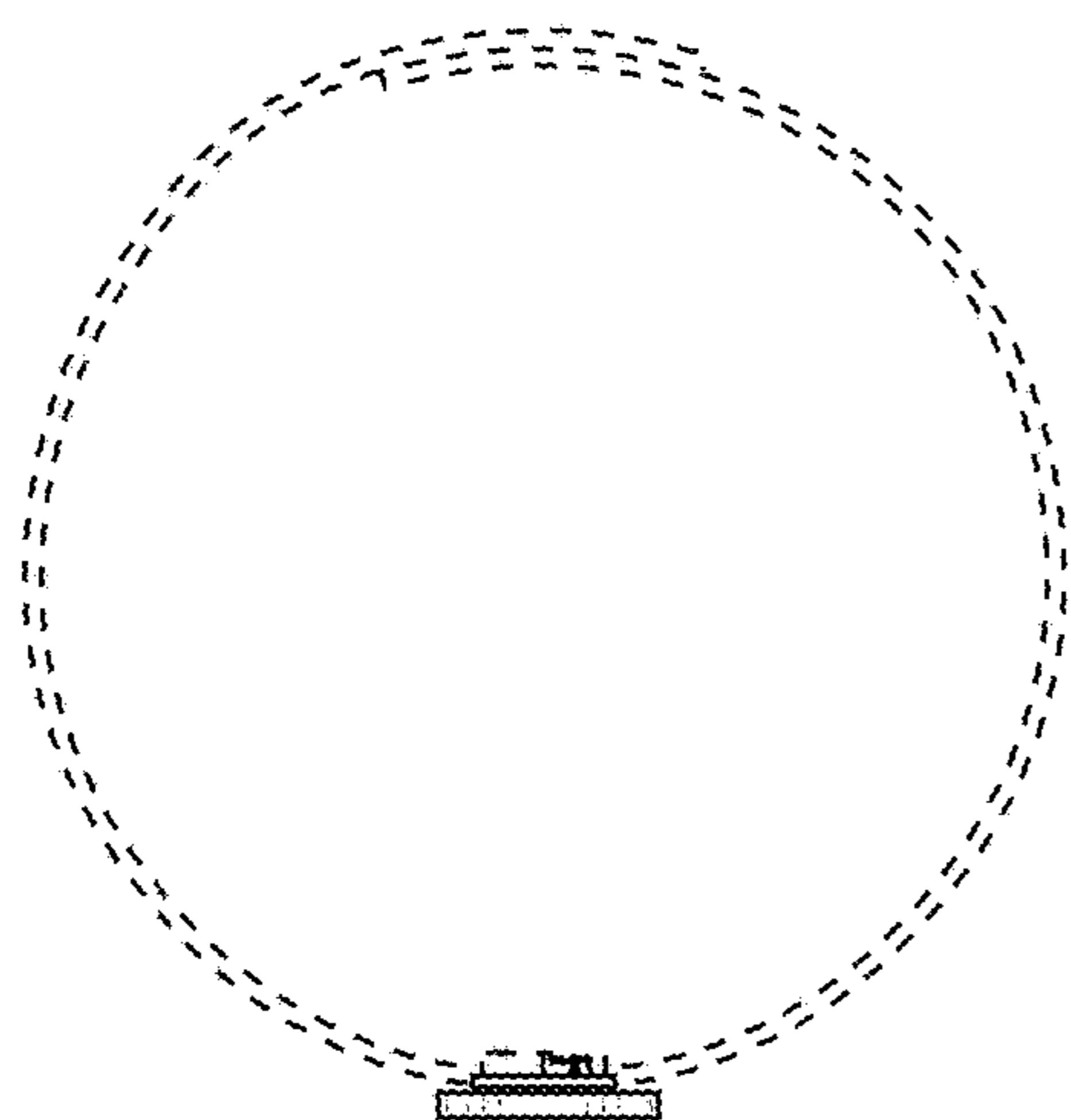


FIG. 12

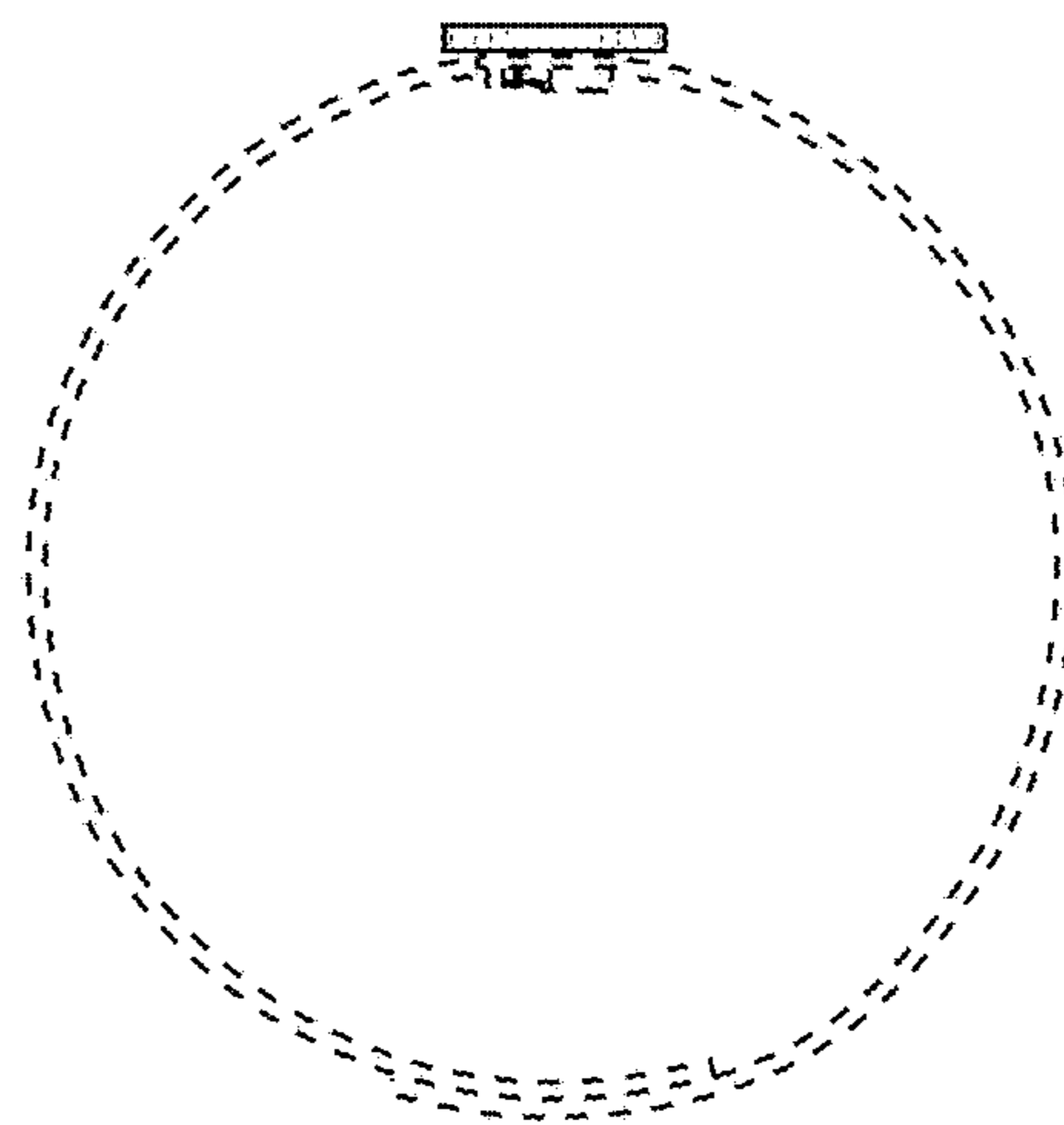


FIG. 13

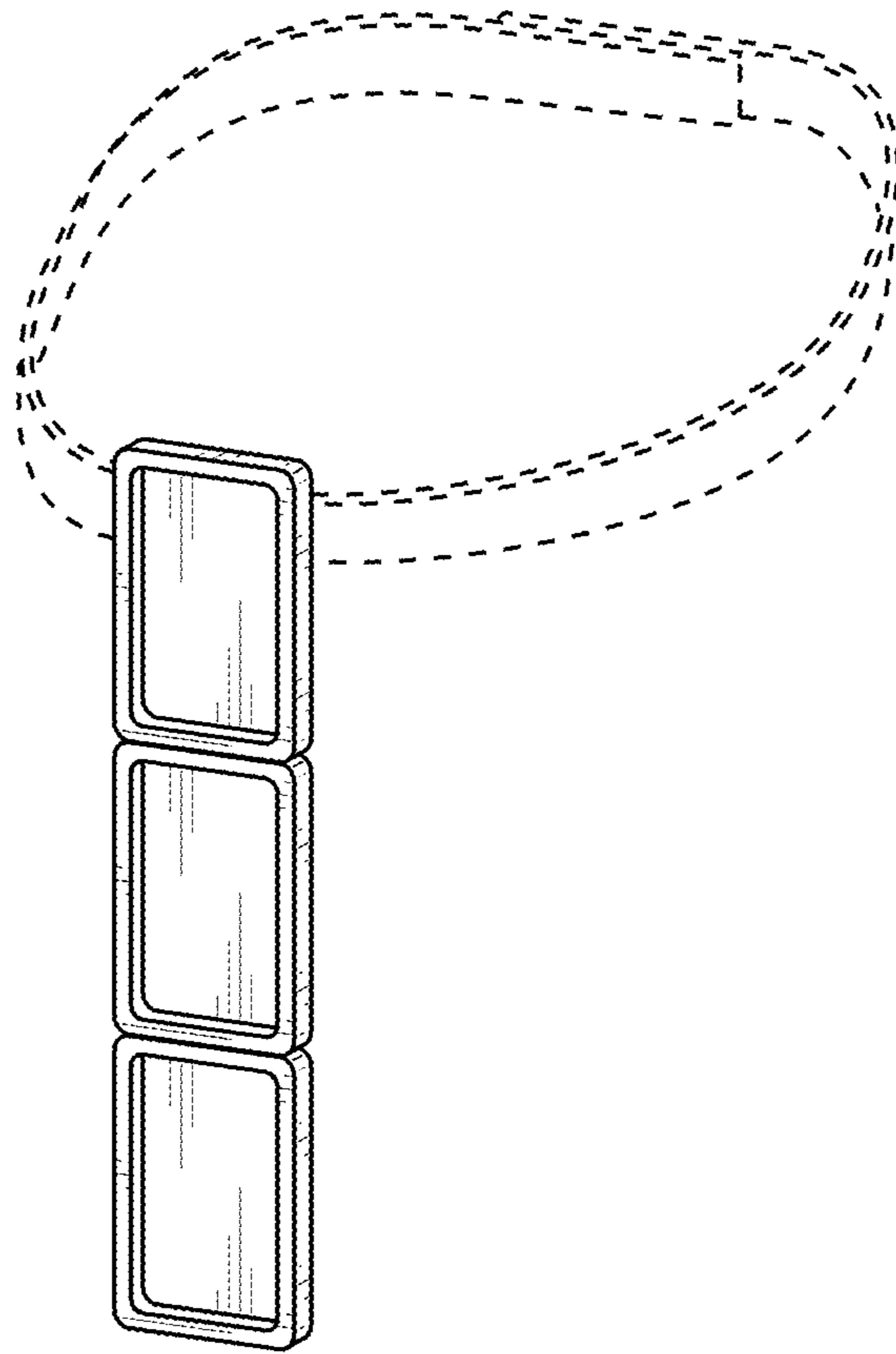


FIG. 14