



US00D848702S

(12) **United States Design Patent** (10) **Patent No.:** **US D848,702 S**
Busch (45) **Date of Patent:** **** May 14, 2019**

(54) **CONTAINER**
(71) Applicant: **BUSCH SYSTEMS INTERNATIONAL INC.**, Barrie (CA)
(72) Inventor: **Craig Busch**, Barrie (CA)
(73) Assignee: **BUSCH SYSTEMS INTERNATIONAL INC.**, Barrie (CA)
(**) Term: **15 Years**
(21) Appl. No.: **29/666,274**
(22) Filed: **Oct. 11, 2018**

D327,348 S 6/1992 Skorheim
5,181,297 A 1/1993 Andrews, Jr. et al.
5,476,187 A 12/1995 Marisco
5,577,628 A * 11/1996 O'Neil A45C 13/005
220/840
D378,153 S * 2/1997 Freedland D34/1
D410,124 S * 5/1999 Nilsson D34/1
D447,304 S * 8/2001 Niemeyer D34/1

(Continued)

Primary Examiner — Cynthia Ramirez
Assistant Examiner — Michael A Maharajh
(74) *Attorney, Agent, or Firm* — Marshall, Gerstein & Borun LLP

Related U.S. Application Data

(62) Division of application No. 29/579,546, filed on Sep. 30, 2016, now Pat. No. Des. 835,373.

(51) **LOC (11) Cl.** **09-09**

(52) **U.S. Cl.**
USPC **D34/7**

(58) **Field of Classification Search**
USPC D34/1, 2, 3, 4, 5, 6, 7, 8, 9, 10, 11, 37, D34/39; D6/403; D9/737, 738, 770, D9/772, 778, 781; D11/143; D19/77, D19/99; D23/202, 203, 205; 220/211, 220/4.04, 484, 495.08, 569, 62.12, 62.13, 220/703, 737, 748, 908.1, 908.2, 908, 220/909, 495.09, 810, 495.06
CPC A47G 19/2205; A47G 19/23; B65D 2543/00194
See application file for complete search history.

(56) **References Cited**

U.S. PATENT DOCUMENTS

D275,618 S 9/1984 Agard
D319,123 S * 8/1991 DeRewal D34/5
D324,121 S * 2/1992 Schierlinger D34/1
5,101,997 A * 4/1992 Bagwell B65F 1/0066
220/23.4

(57) **CLAIM**

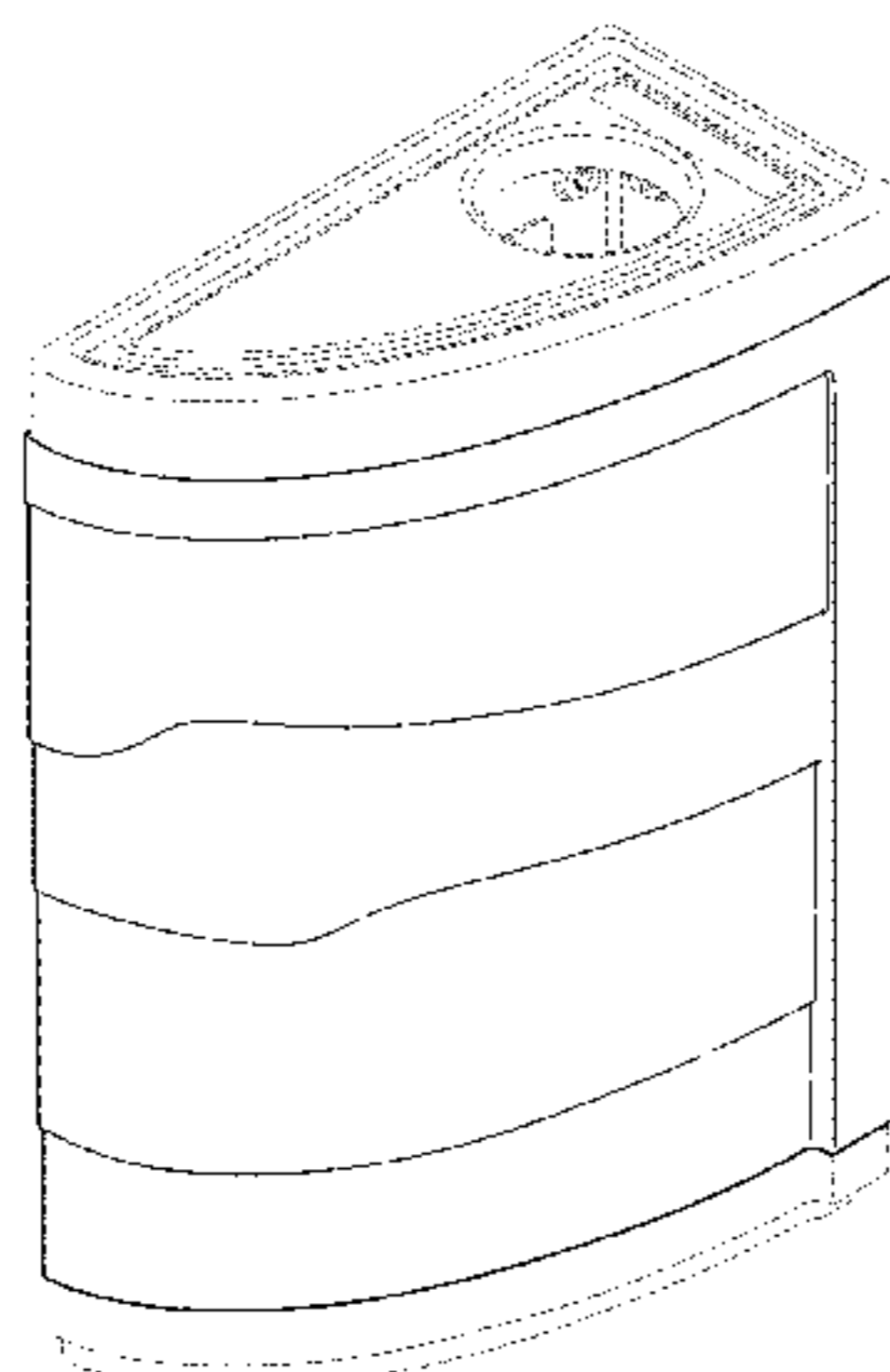
The ornamental design for a container, as shown and described.

DESCRIPTION

FIG. 1 is a perspective view of a container showing a first variant of the design;
FIG. 2 is a front view thereof;
FIG. 3 is a rear view thereof;
FIG. 4 is a left side view thereof;
FIG. 5 is a right side view thereof;
FIG. 6 is a top view thereof;
FIG. 7 is a bottom view thereof;
FIG. 8 is a perspective view of a container showing a second variant of the design;
FIG. 9 is a front view thereof;
FIG. 10 is a rear view thereof;
FIG. 11 is a left side view thereof;
FIG. 12 is a right side view thereof;
FIG. 13 is a top view thereof; and,
FIG. 14 is a bottom view thereof.

The broken lines shown in the figures are for the purpose of illustrating portions of the container, which form no part of the claimed design.

1 Claim, 10 Drawing Sheets



(56)

References Cited

U.S. PATENT DOCUMENTS

6,626,317 B2 * 9/2003 Pfiefer B65F 1/16
220/263
D556,054 S * 11/2007 Stephens D9/734
D573,917 S * 7/2008 Bigoski D11/143
D580,613 S 11/2008 Yang et al.
D618,415 S * 6/2010 Greseth D34/1
D644,806 S * 9/2011 Yang D34/1
D730,007 S 5/2015 Machen
D758,037 S 5/2016 Madrid
D761,154 S * 7/2016 Agar D11/143
D770,296 S 11/2016 Rothfos
D811,035 S * 2/2018 Lavoie D34/1
D825,876 S * 8/2018 Chen D34/1
2009/0250471 A1 10/2009 Askonen
2015/0060460 A1 3/2015 Corbitt
2016/0167858 A1 6/2016 Sanfilippo et al.

* cited by examiner

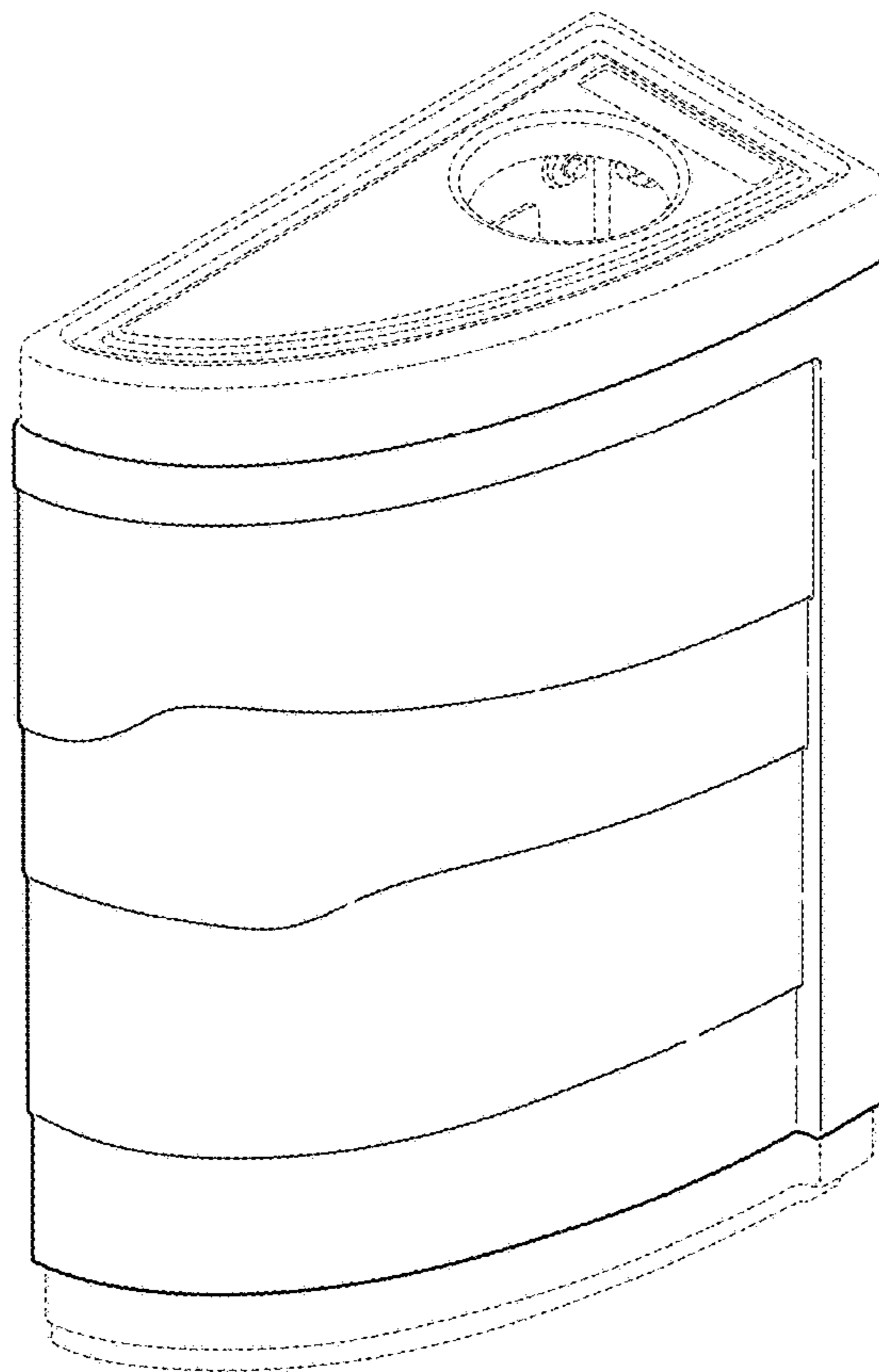


FIG. 1

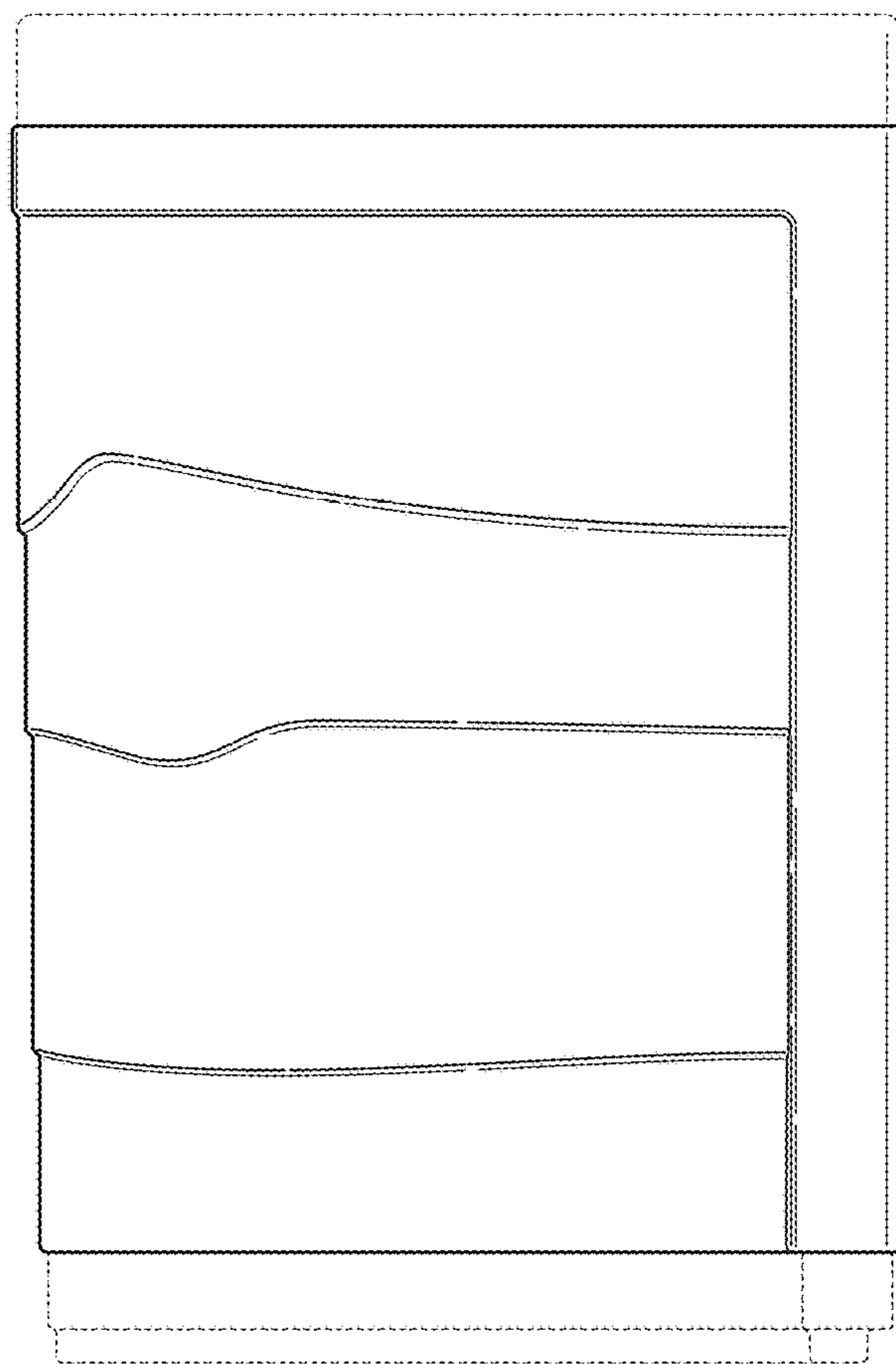


FIG. 2

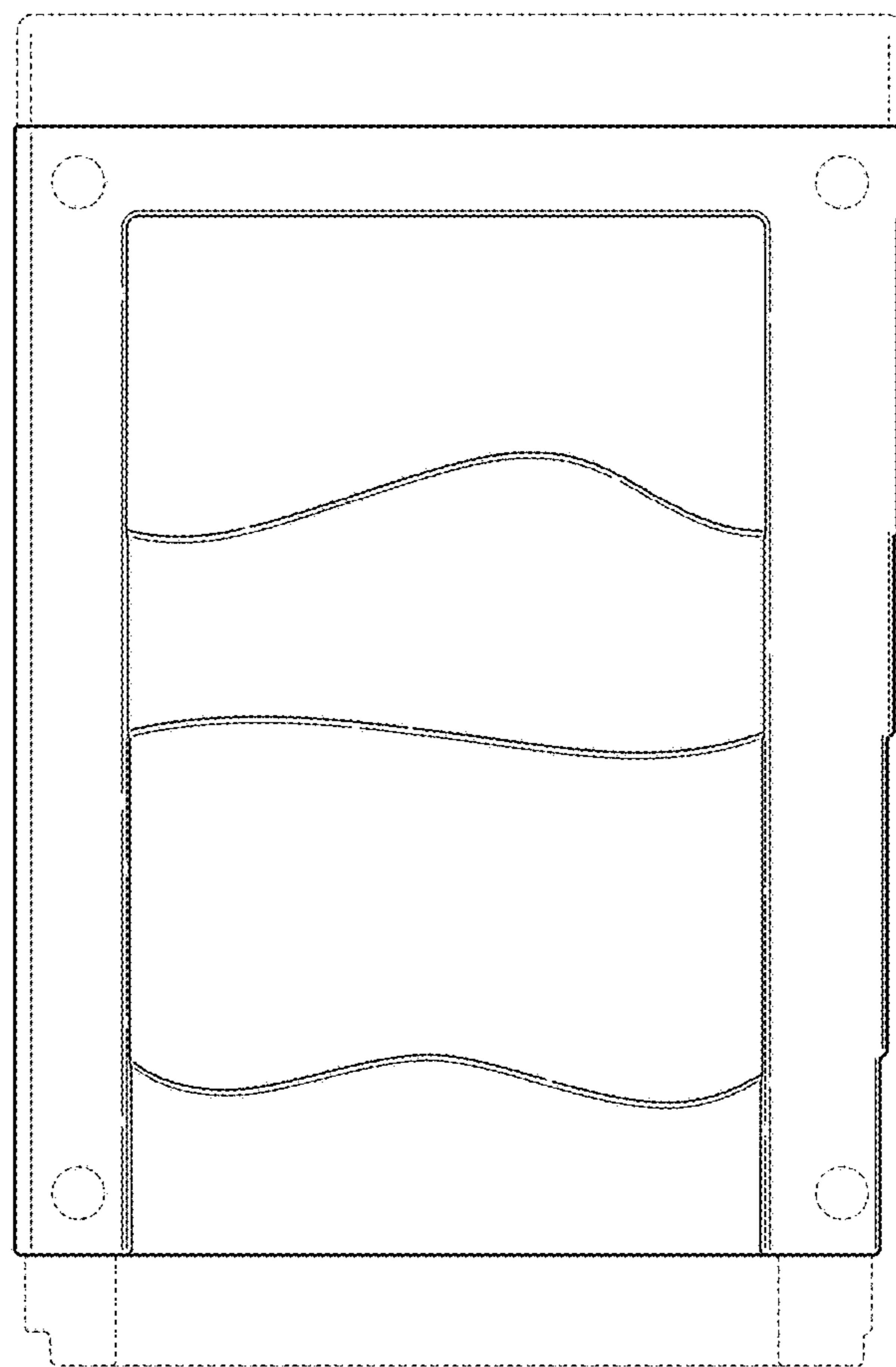


FIG. 3

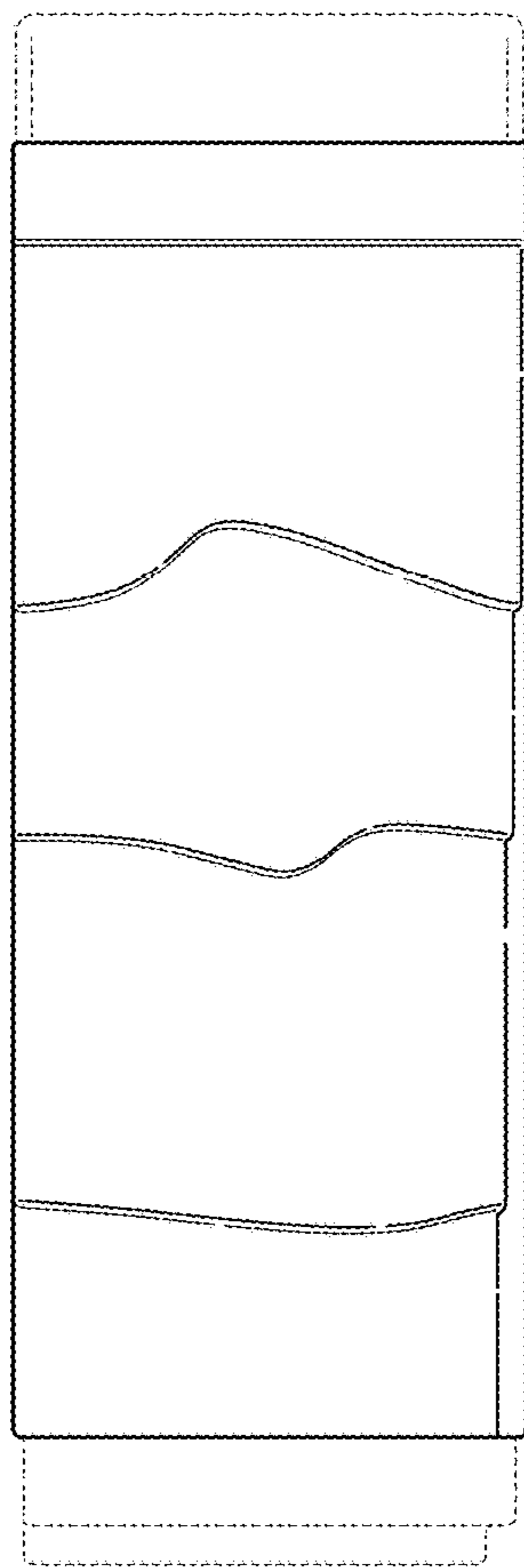


FIG. 4

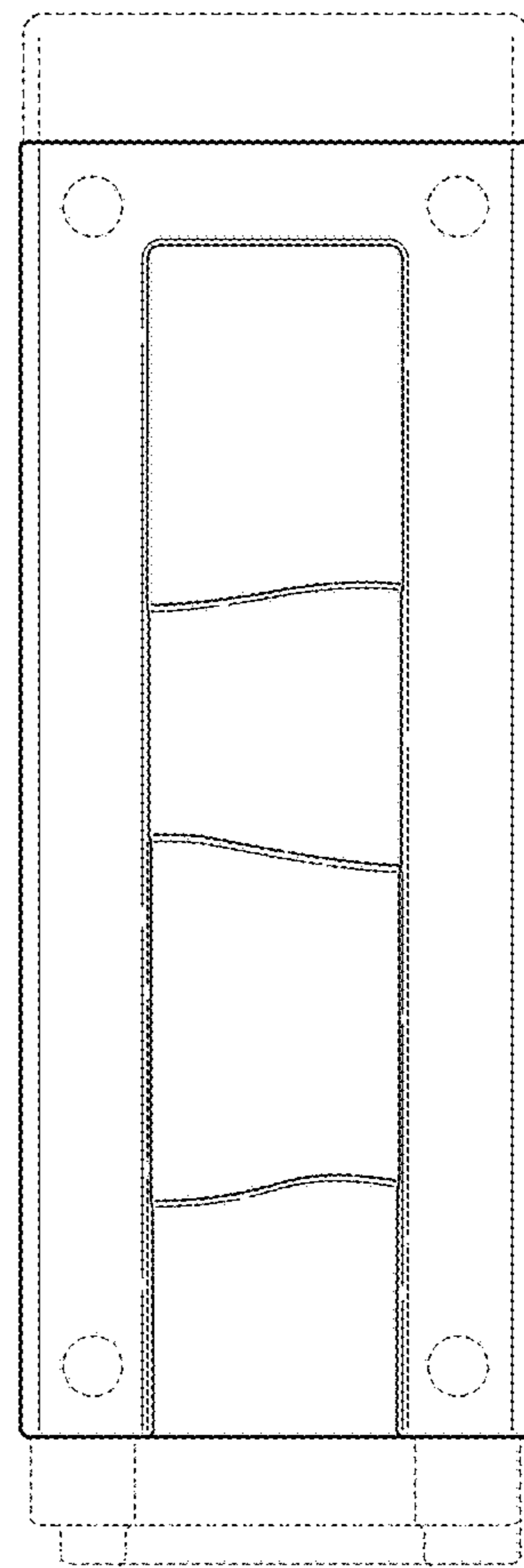


FIG. 5

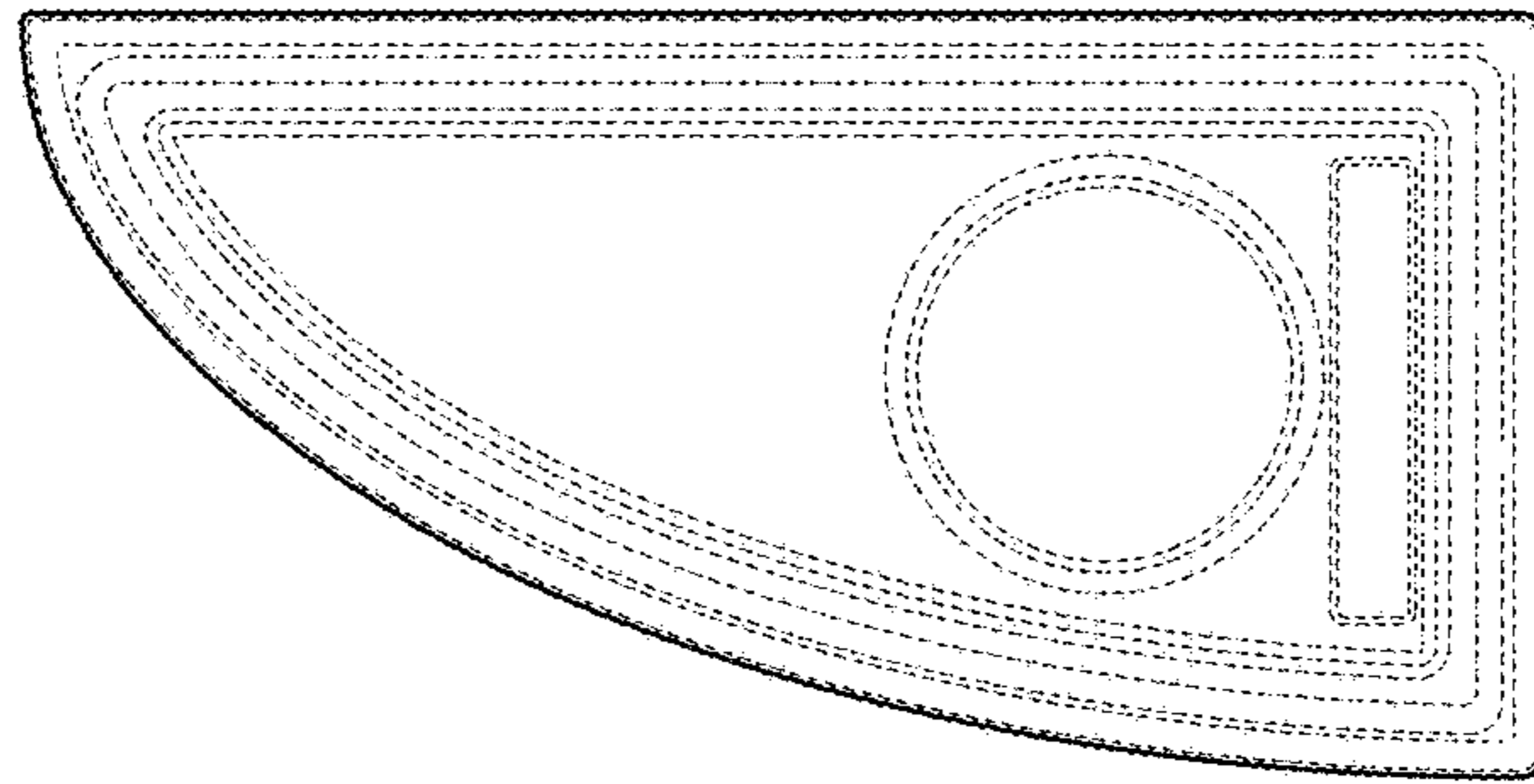


FIG. 6

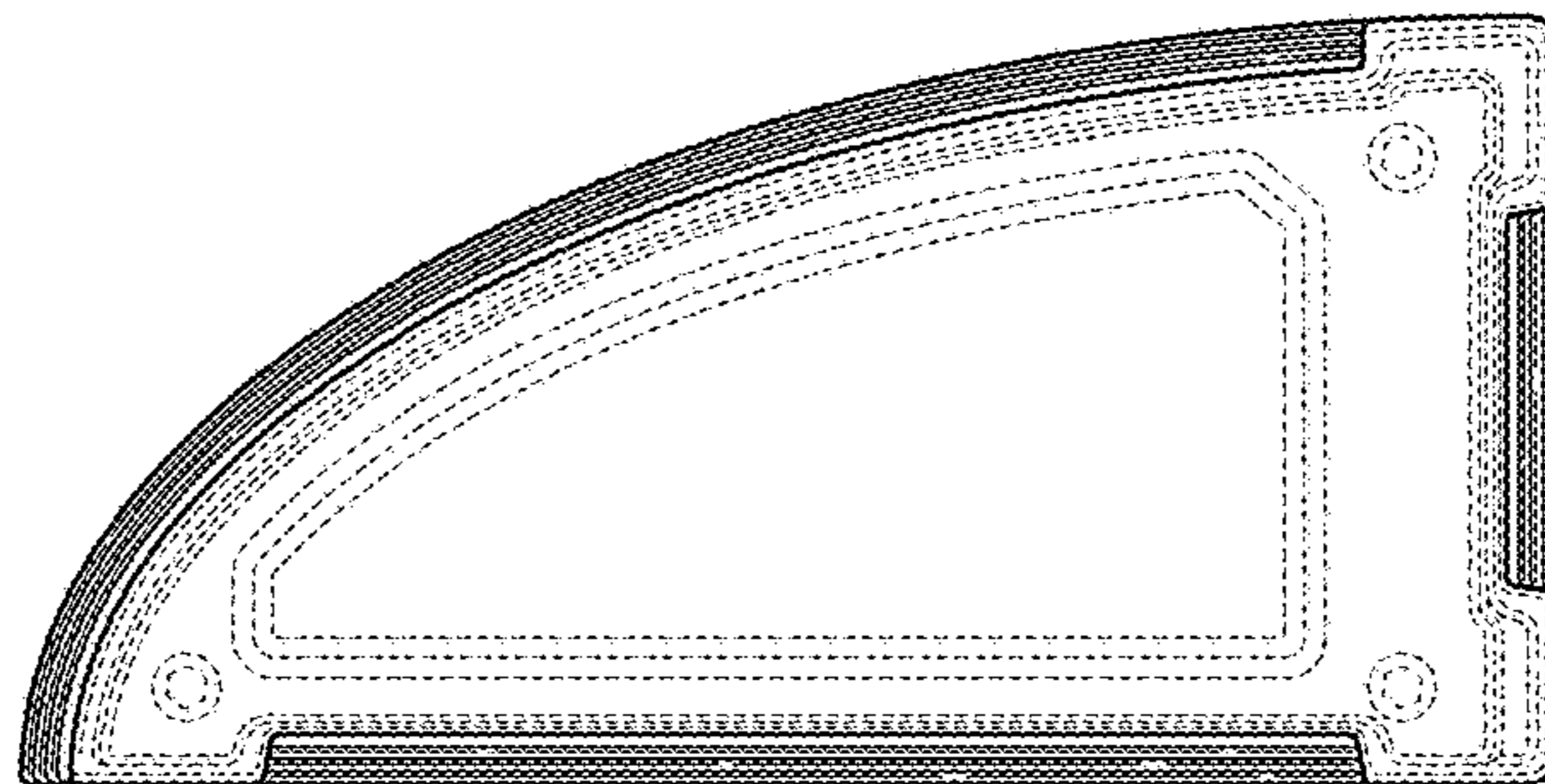


FIG. 7

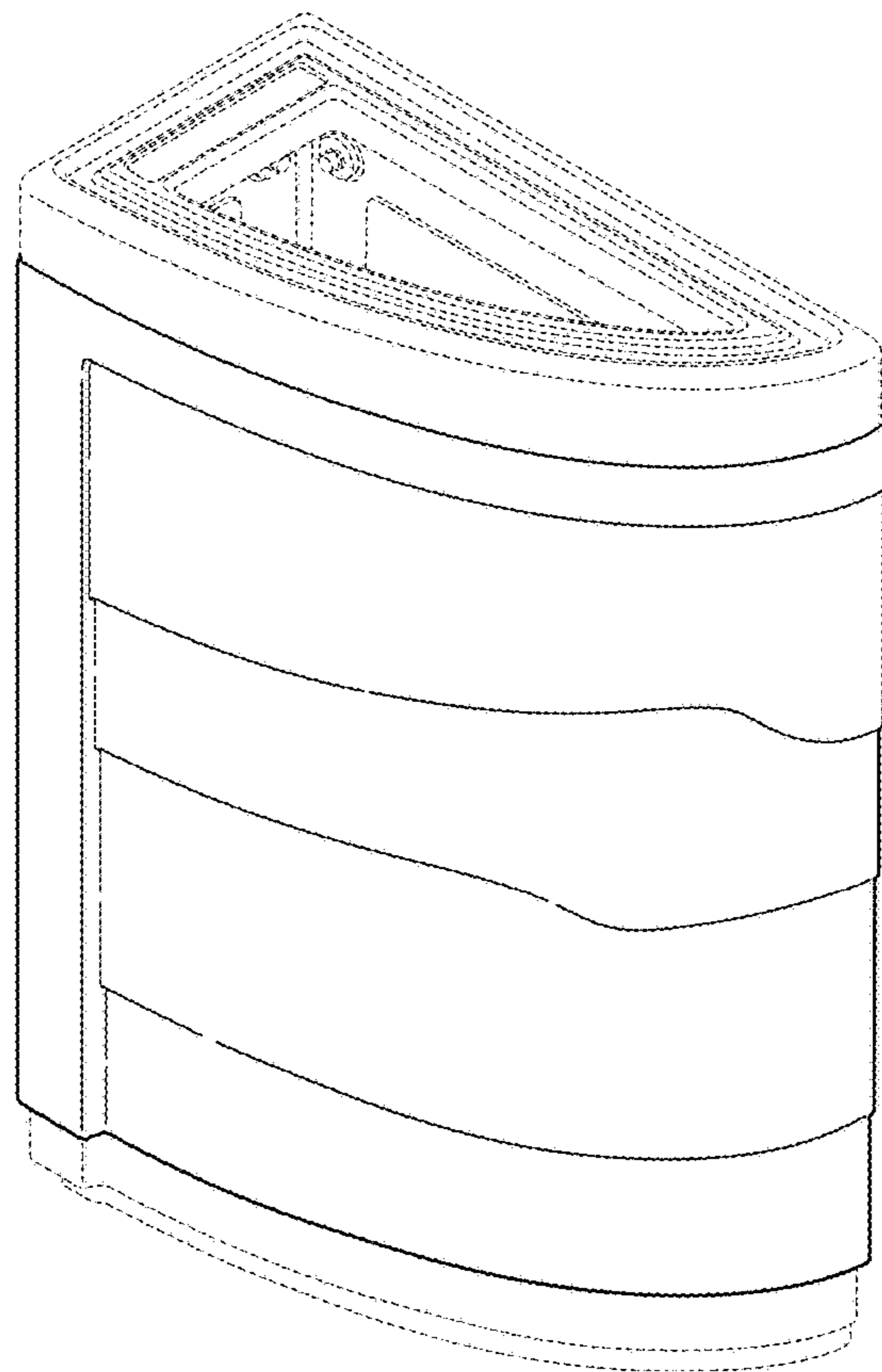


FIG. 8

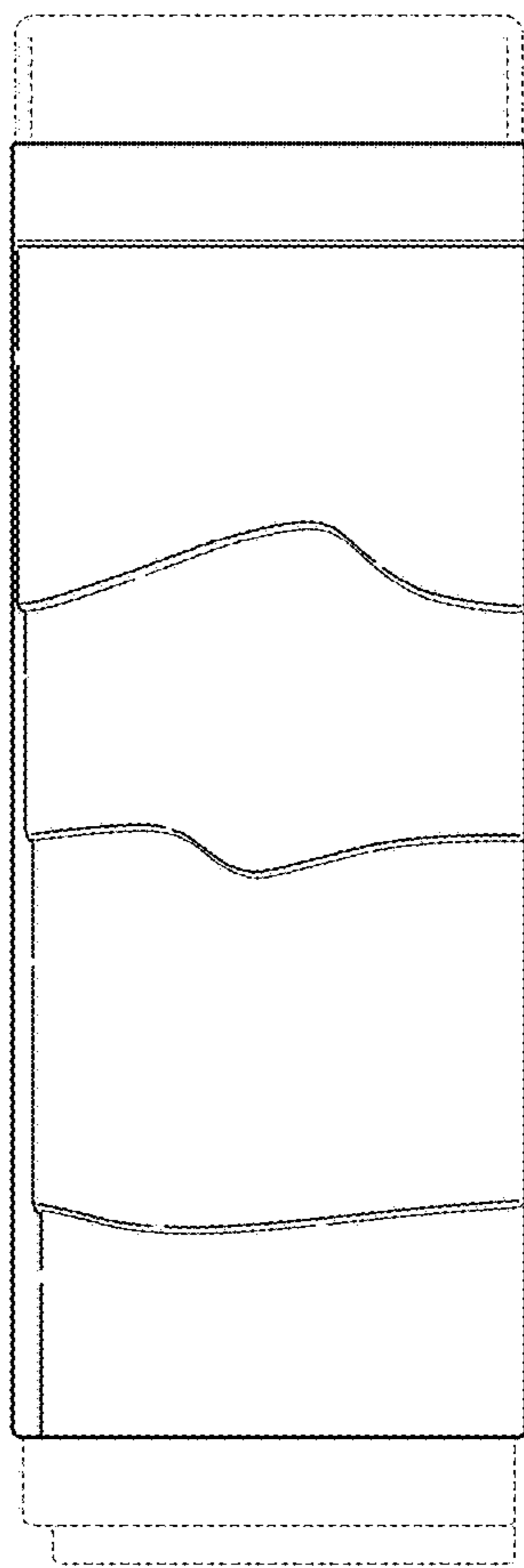


FIG. 9

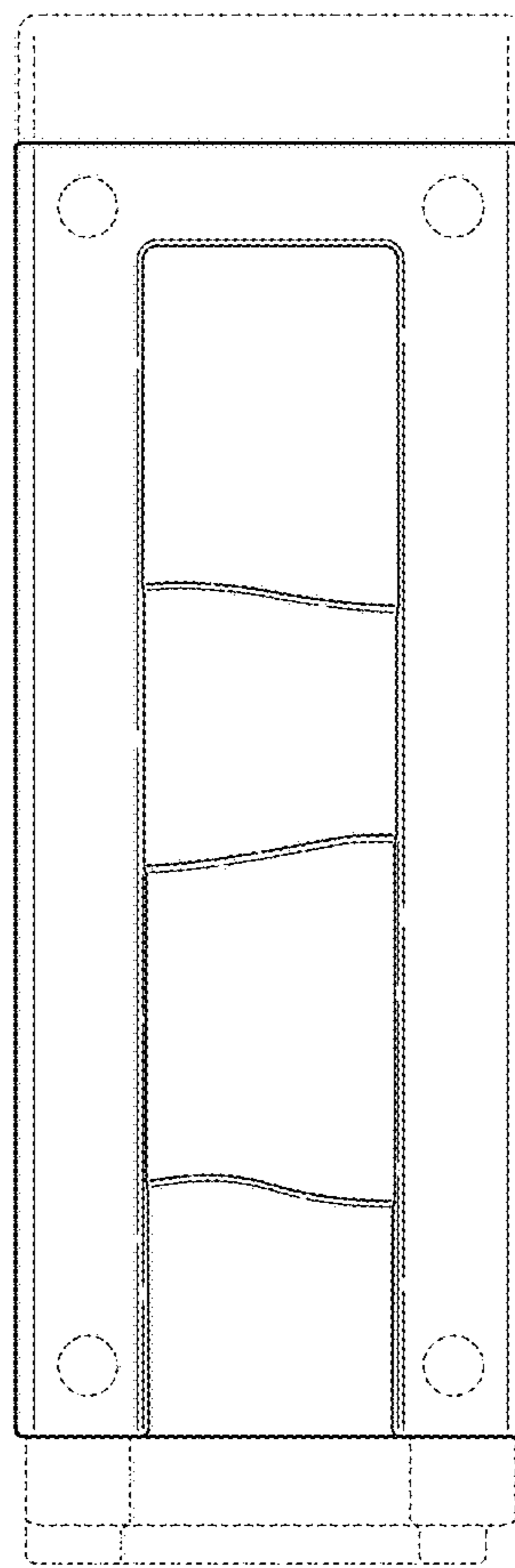


FIG. 10

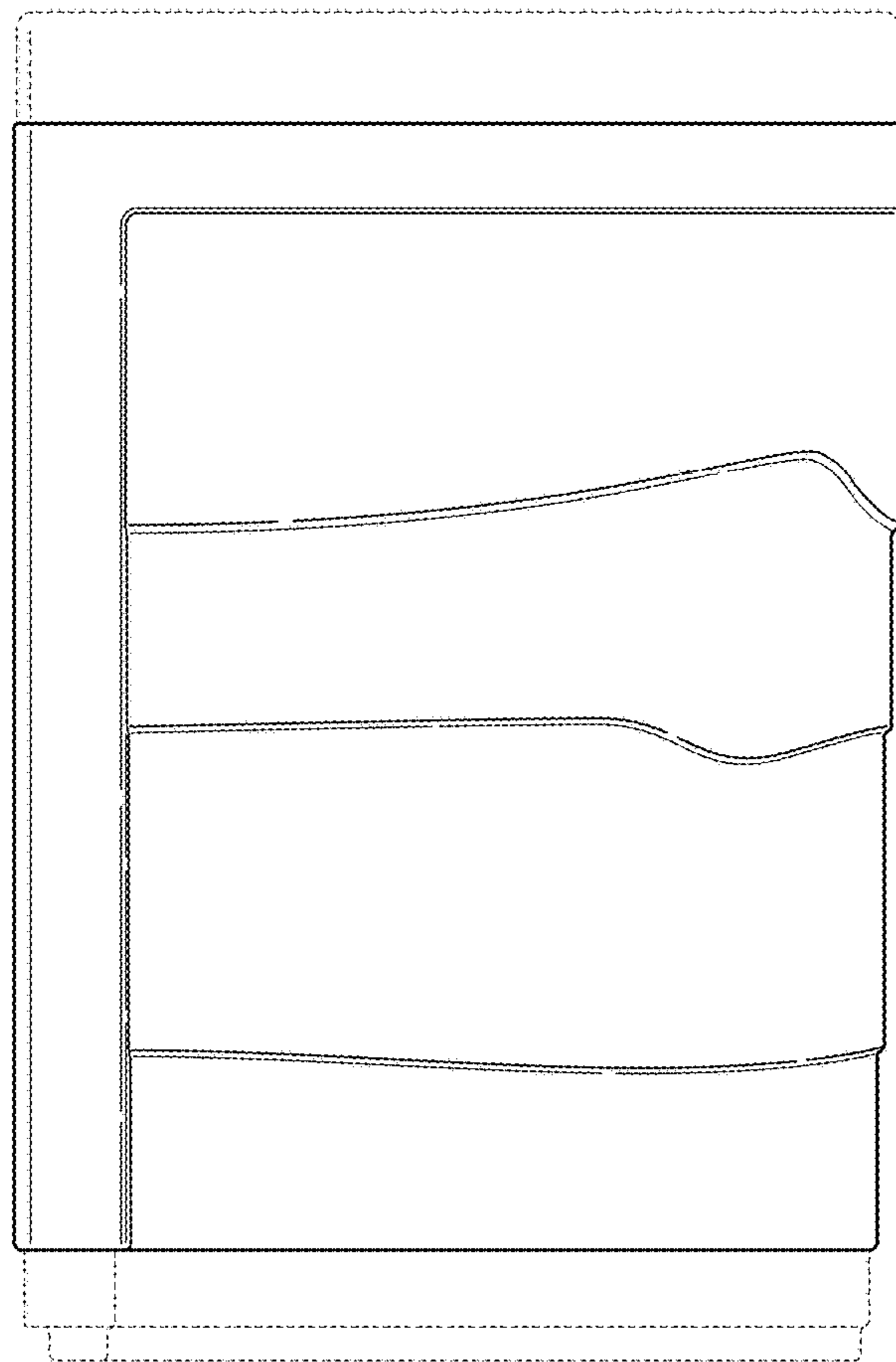


FIG. 11

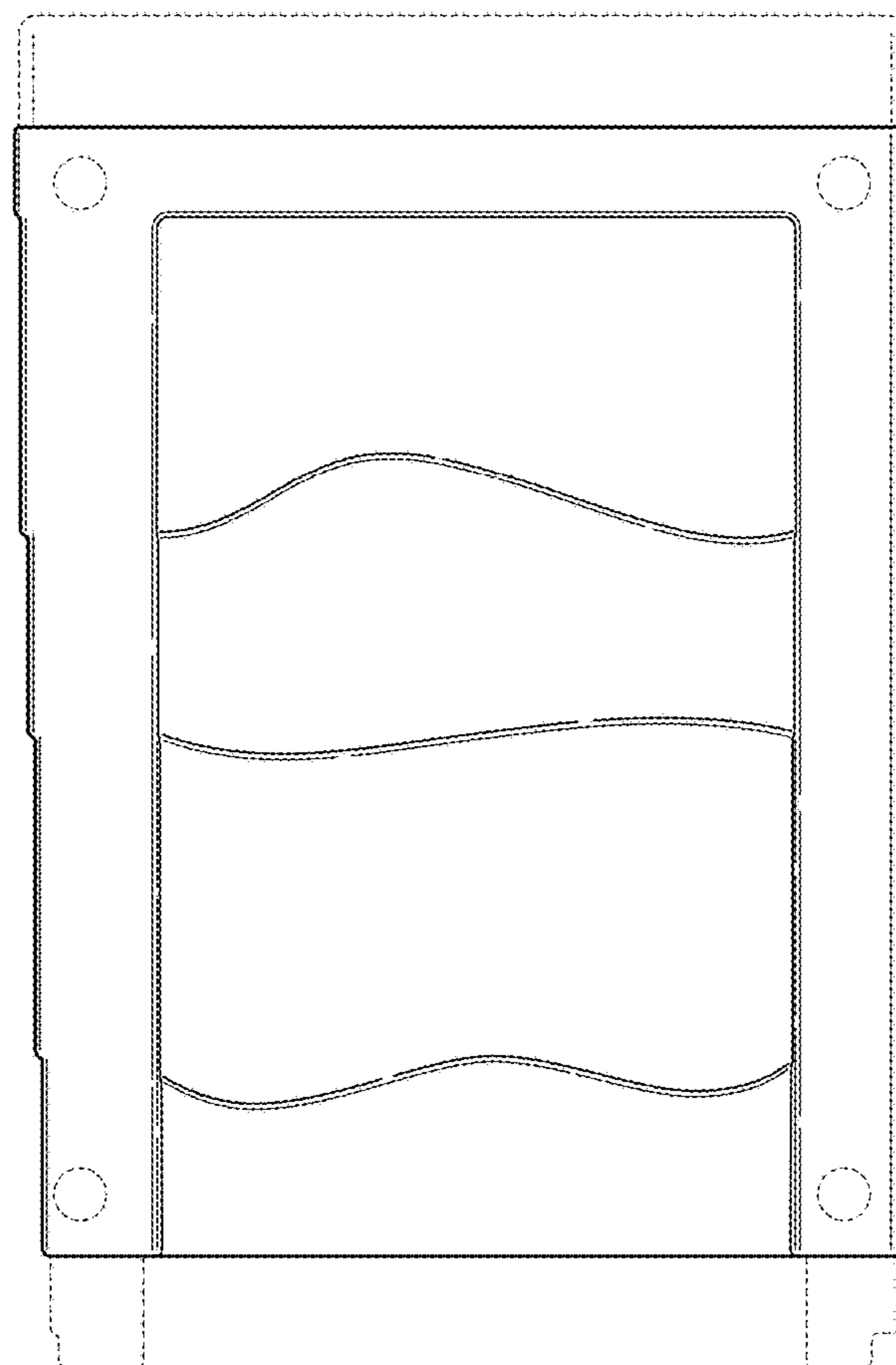


FIG. 12

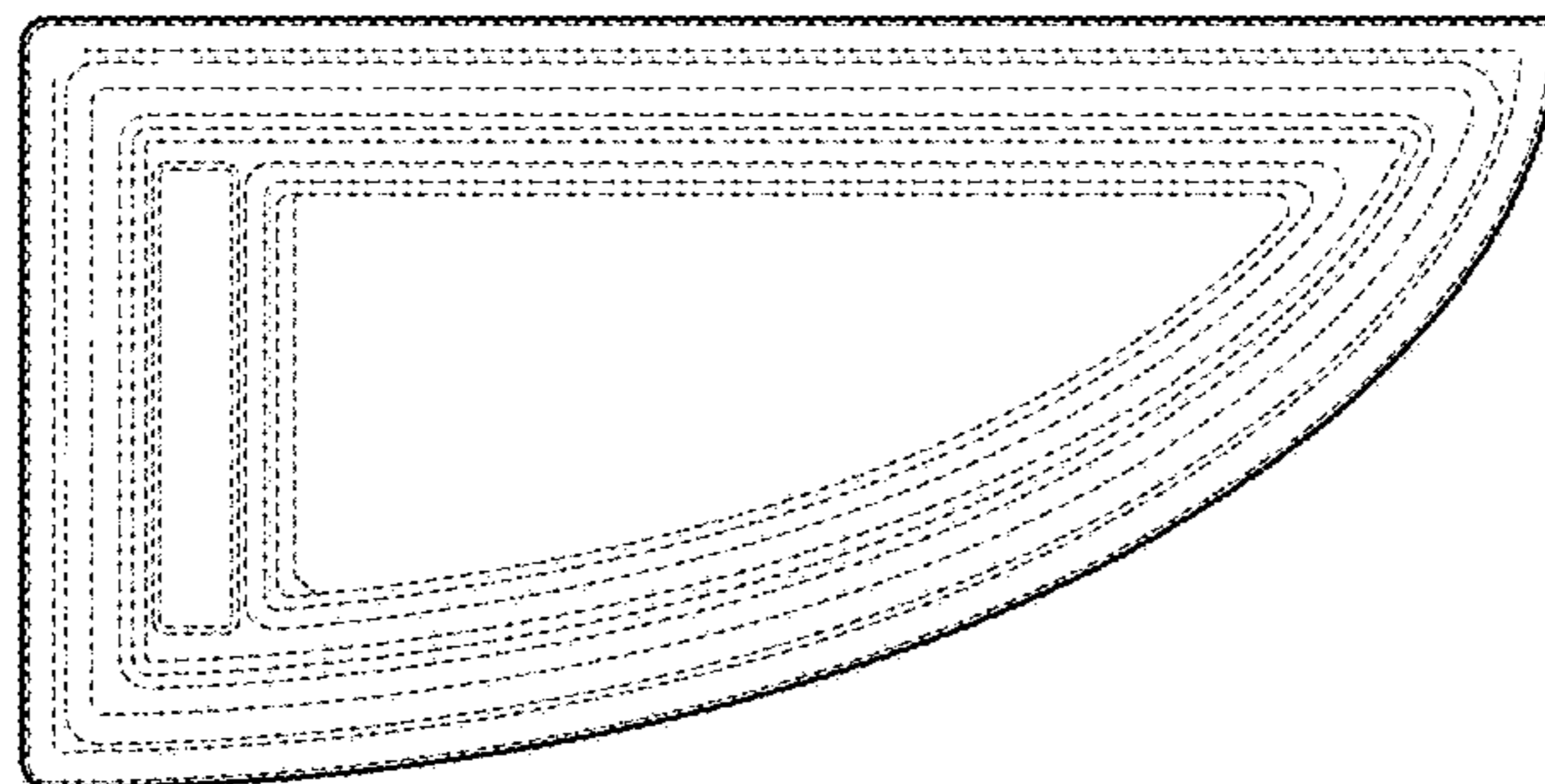


FIG. 13

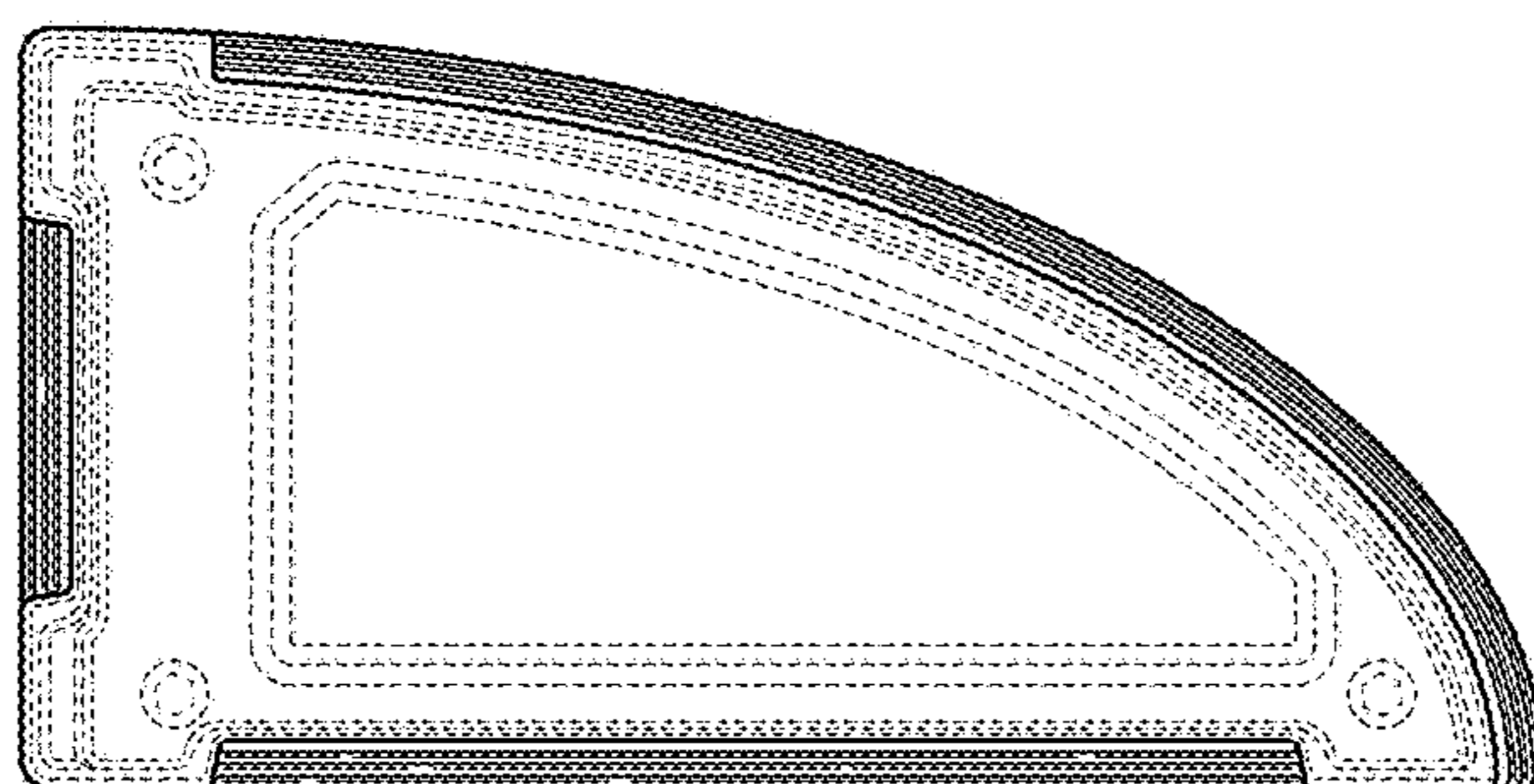


FIG. 14