



US00D848700S

(12) **United States Design Patent** (10) **Patent No.:** **US D848,700 S**  
**Busch** (45) **Date of Patent:** **\*\* May 14, 2019**

(54) **CONTAINER**  
(71) Applicant: **BUSCH SYSTEMS INTERNATIONAL INC.**, Barrie (CA)  
(72) Inventor: **Craig Busch**, Barrie (CA)  
(73) Assignee: **BUSCH SYSTEMS INTERNATIONAL INC.**, Barrie (CA)  
(\*\*) Term: **15 Years**  
(21) Appl. No.: **29/666,265**  
(22) Filed: **Oct. 11, 2018**

5,476,187 A 12/1995 Marisco  
D373,874 S \* 9/1996 Zackson ..... D34/1  
D373,875 S \* 9/1996 Zackson ..... D34/1  
(Continued)

**OTHER PUBLICATIONS**

Buschsystems, "Evolve Single Cube—Full", Dec. 14, 2018. <https://store.buschsystems.com/40000124-8109056-4/child/evolve-single-cube-full>. Shown on p. 1. (Year: 2018).\*

*Primary Examiner* — Cynthia Ramirez  
*Assistant Examiner* — Michael A Maharajh  
(74) *Attorney, Agent, or Firm* — Marshall, Gerstein & Borun LLP

**Related U.S. Application Data**

(62) Division of application No. 29/579,546, filed on Sep. 30, 2016, now Pat. No. Des. 835,373.  
(51) **LOC (11) Cl.** ..... **09-09**  
(52) **U.S. Cl.**  
USPC ..... **D34/7**  
(58) **Field of Classification Search**  
USPC ..... D34/1, 2, 3, 4, 5, 6, 7, 8, 9, 10, 11, 37, D34/39; D6/403; D9/737, 738, 770, D9/772, 778, 781; D11/143; D19/77, D19/99; D23/202, 203, 205; 220/211, 220/4.04, 484, 495.08, 569, 62.12, 62.13, 220/703, 737, 748, 908.1, 908.2, 908, 220/909, 495.09, 810, 495.06  
CPC ..... A47G 19/2205; A47G 19/23; B65D 2543/00194  
See application file for complete search history.

(57) **CLAIM**

The ornamental design for a container, as shown and described.

**DESCRIPTION**

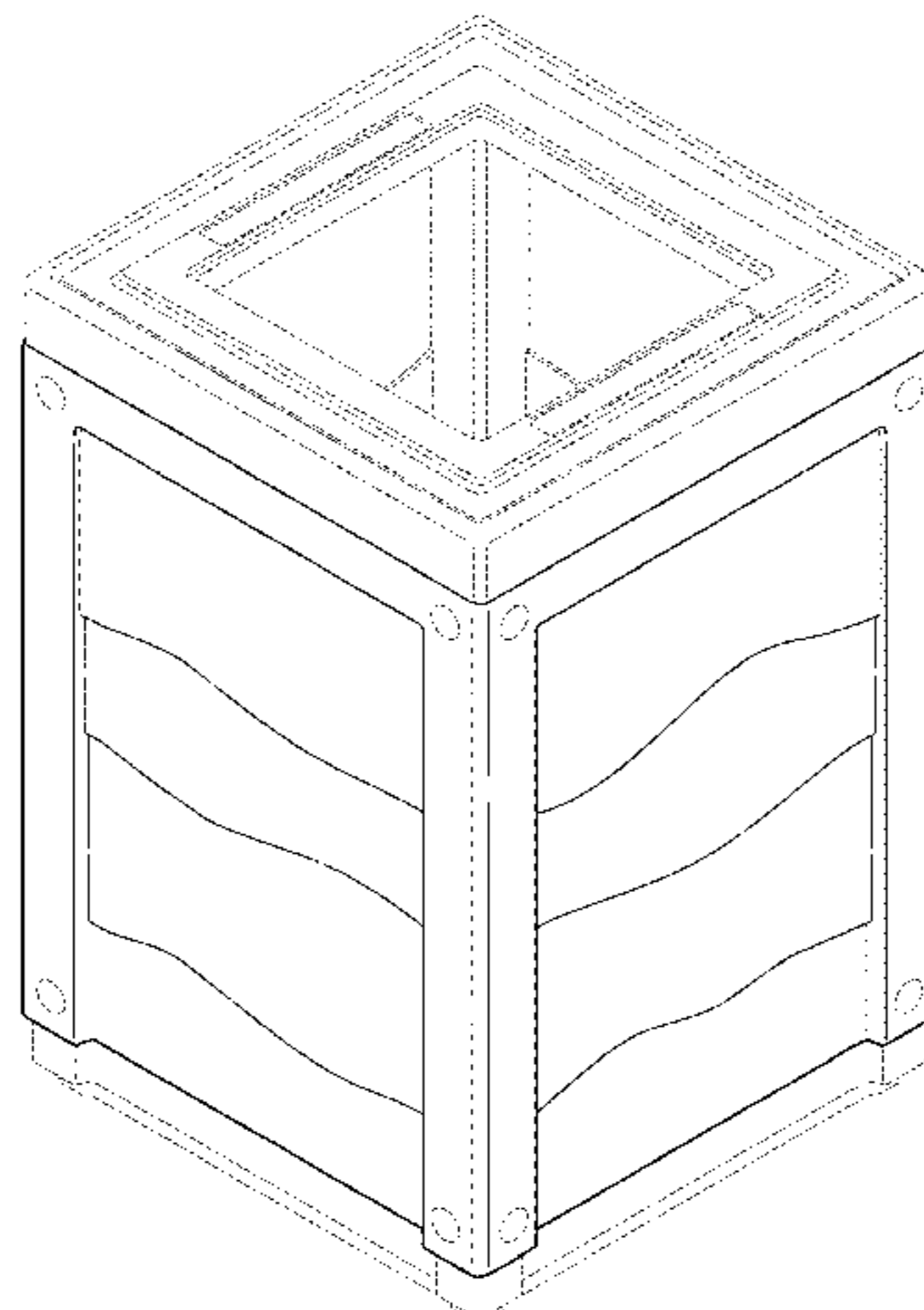
FIG. 1 is a perspective view of a container showing a first variant of the design;  
FIG. 2 is a front view thereof;  
FIG. 3 is a rear view thereof;  
FIG. 4 is a left side view thereof;  
FIG. 5 is a right side view thereof;  
FIG. 6 is a top view thereof;  
FIG. 7 is a bottom view thereof;  
FIG. 8 is a perspective view of a container showing a second variant of the design;  
FIG. 9 is a front view thereof;  
FIG. 10 is a rear view thereof;  
FIG. 11 is a left side view thereof;  
FIG. 12 is a right side view thereof;  
FIG. 13 is a top view thereof; and,  
FIG. 14 is a bottom view thereof.  
The broken lines shown in the figures are for the purpose of illustrating portions of the container, which form no part of the claimed design.

(56) **References Cited**

**U.S. PATENT DOCUMENTS**

D275,618 S 9/1984 Agard  
D327,348 S 6/1992 Skorheim  
5,181,297 A 1/1993 Andrews, Jr. et al.  
D343,708 S \* 1/1994 Doty ..... D34/1  
5,341,952 A \* 8/1994 Goglio ..... B65D 25/18  
220/495.08

**1 Claim, 12 Drawing Sheets**



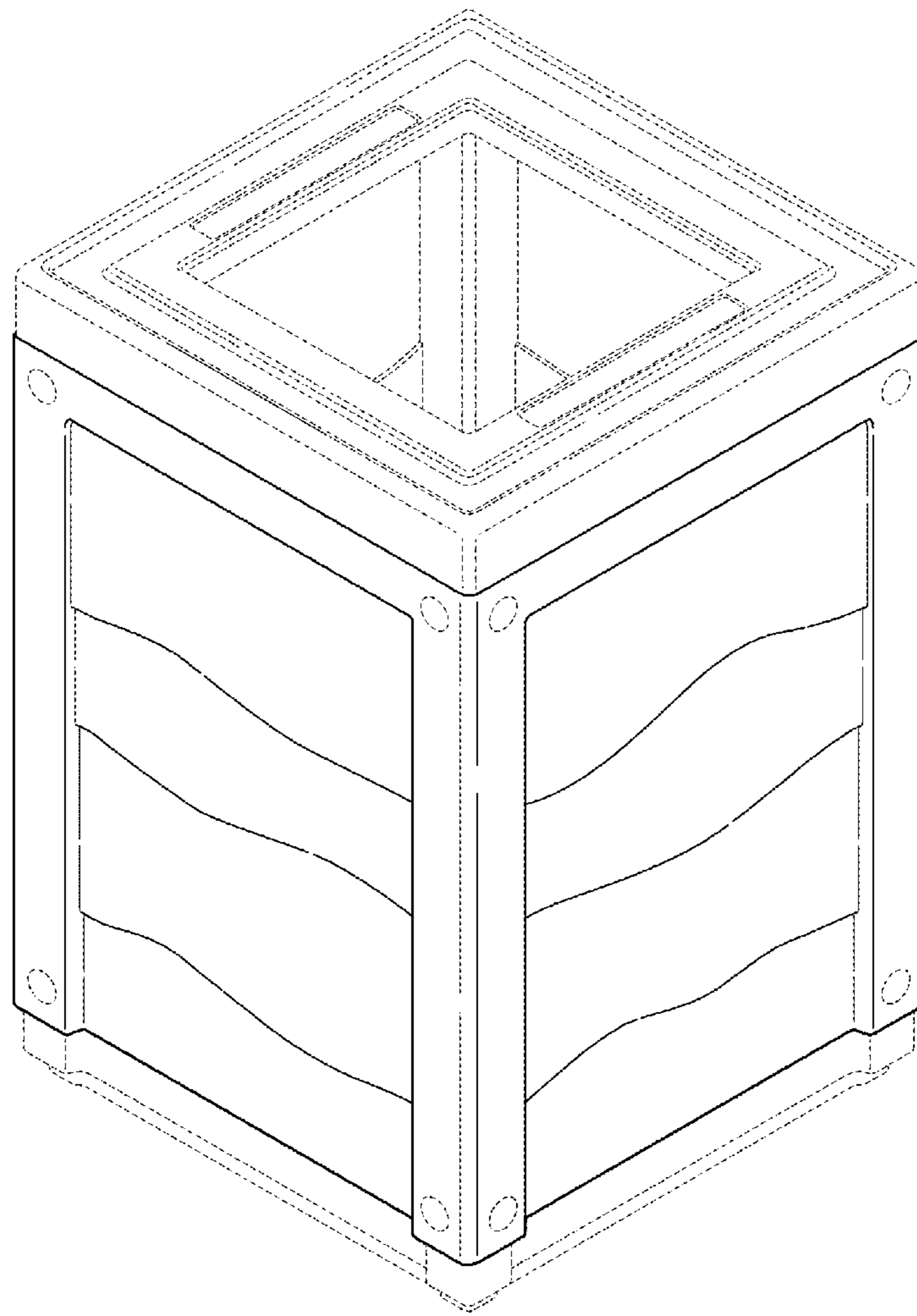
(56)

**References Cited**

## U.S. PATENT DOCUMENTS

D374,528	S *	10/1996	Zackson .....	D34/1
D393,510	S *	4/1998	Creske .....	D34/1
D394,930	S *	6/1998	Creske .....	D34/1
D404,865	S *	1/1999	Zackson .....	D34/1
D405,576	S *	2/1999	Rausch .....	D34/1
6,036,042	A *	3/2000	Pietruch .....	B65D 7/36 220/62.11
D444,177	S *	6/2001	Carretta .....	D19/77
D536,852	S *	2/2007	Presnell .....	D34/1
7,204,407	B2 *	4/2007	Laher .....	B65F 1/085 220/495.09
D580,613	S	11/2008	Yang et al.	
D585,618	S *	1/2009	Yang .....	D34/1
D639,006	S *	5/2011	Yang .....	D34/1
D681,299	S *	4/2013	Lai .....	D19/77
8,839,553	B2 *	9/2014	Toro .....	A01G 9/02 220/23.87
D730,007	S	5/2015	Machen	
D758,037	S	5/2016	Madrid	
D762,936	S *	8/2016	Tuncel .....	D34/7
D770,296	S	11/2016	Rothfos	
D817,578	S *	5/2018	Thuma .....	D34/1
D835,373	S *	12/2018	Busch .....	D34/7
2009/0250471	A1	10/2009	Askonen	
2015/0060460	A1	3/2015	Corbitt	
2016/0167858	A1	6/2016	Sanfilippo et al.	
2017/0088348	A1 *	3/2017	Busch .....	B65F 1/0053

\* cited by examiner



**FIG. 1**

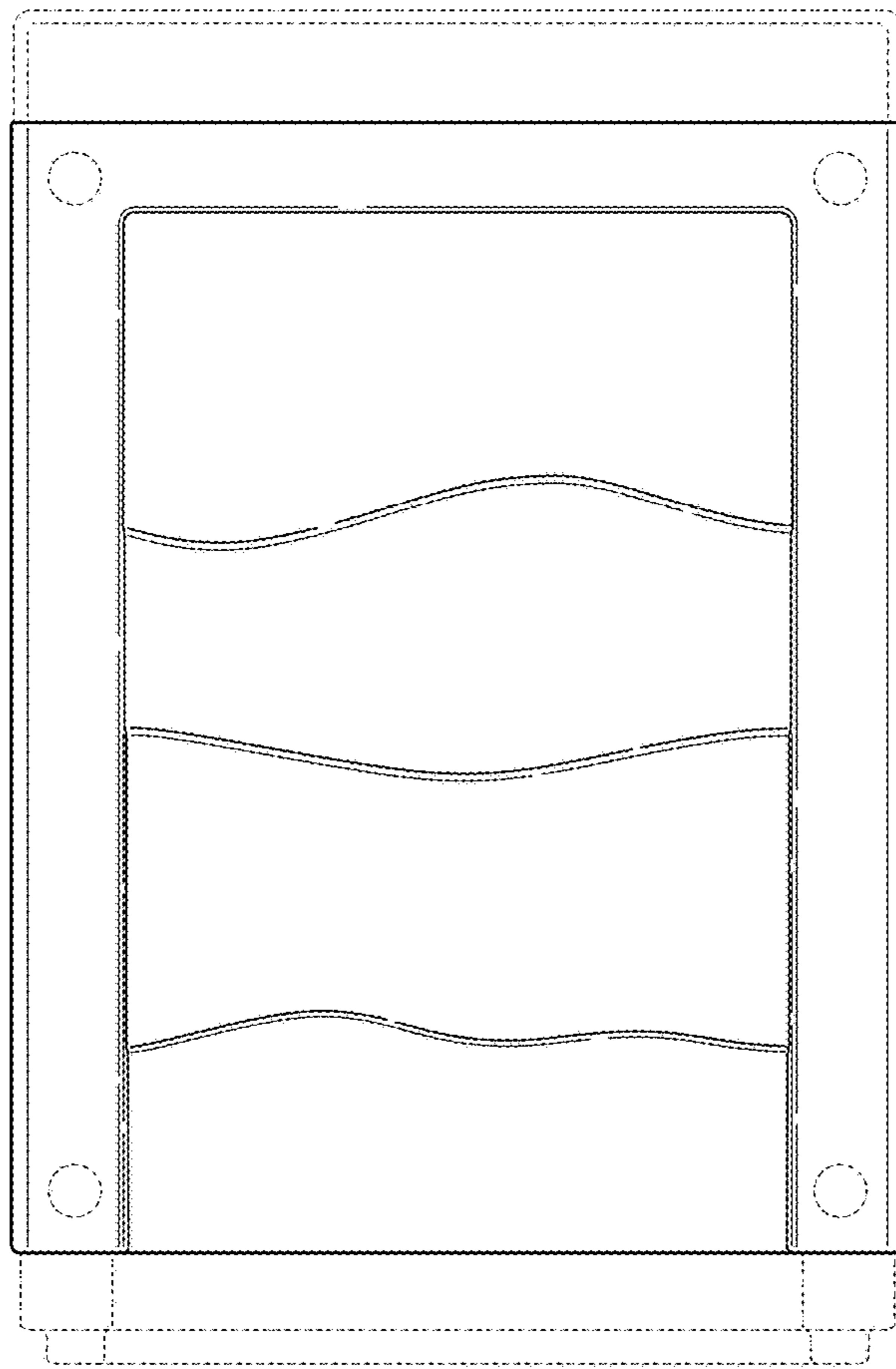
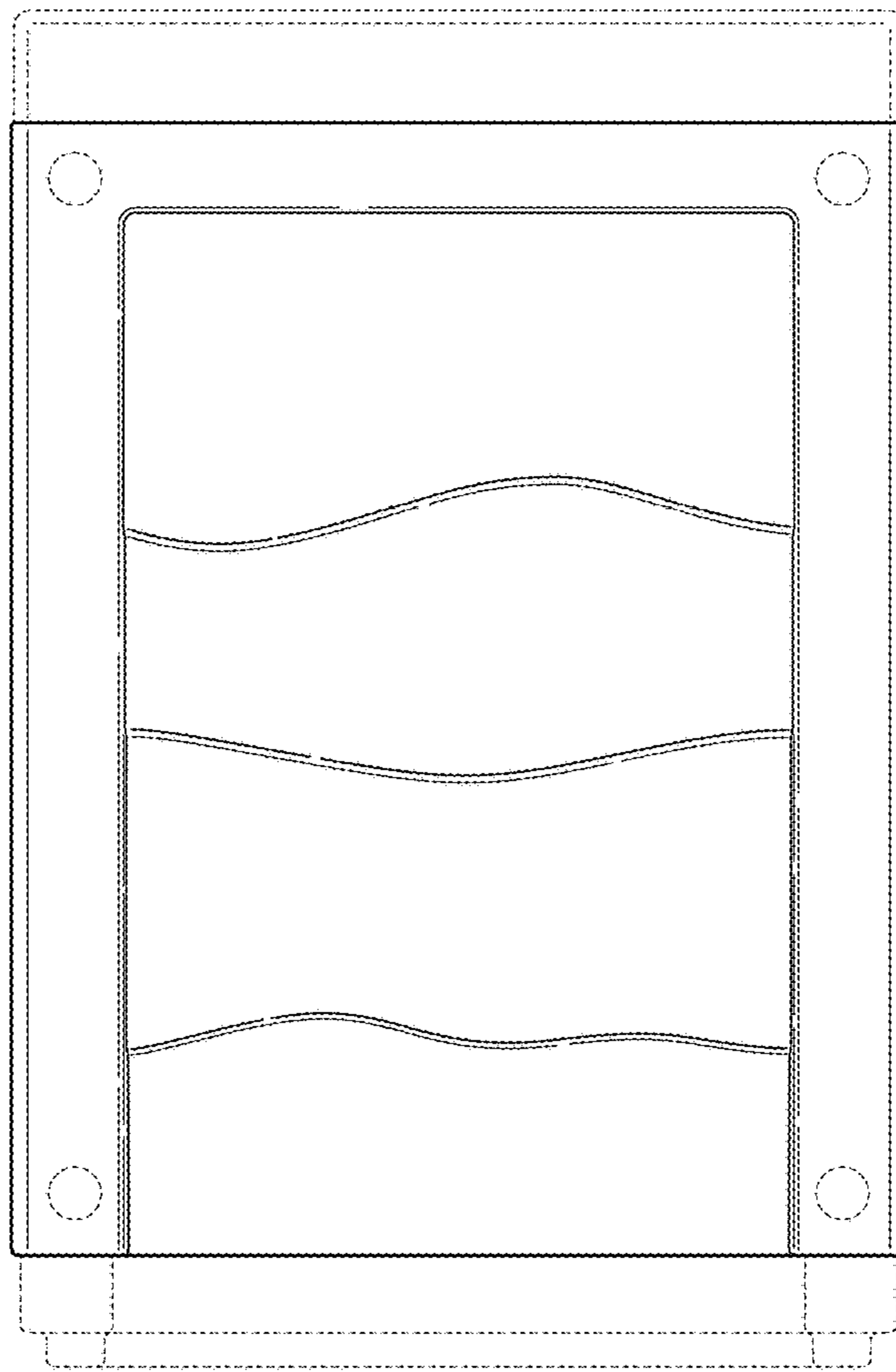


FIG. 2



**FIG. 3**

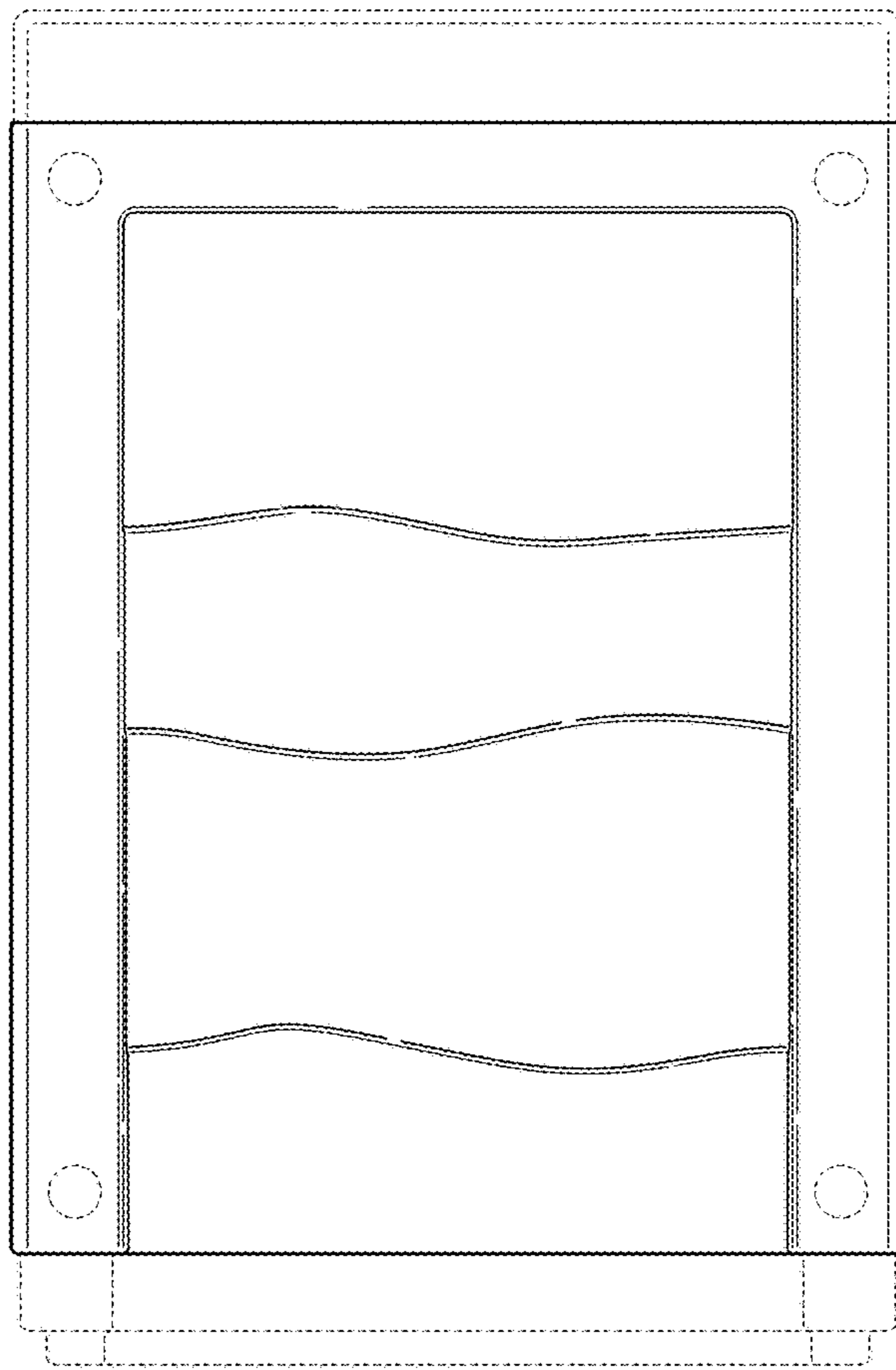


FIG. 4

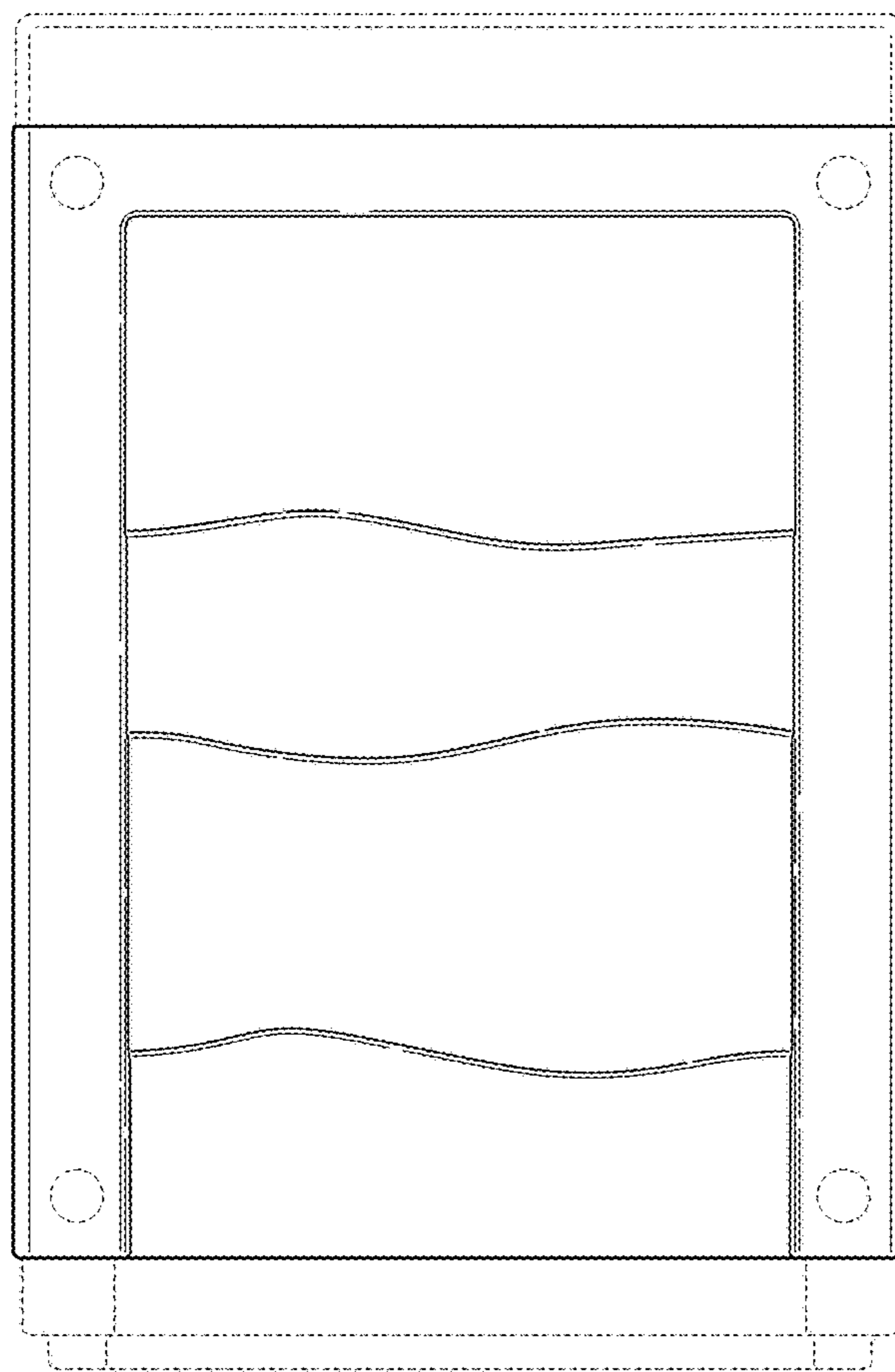


FIG. 5

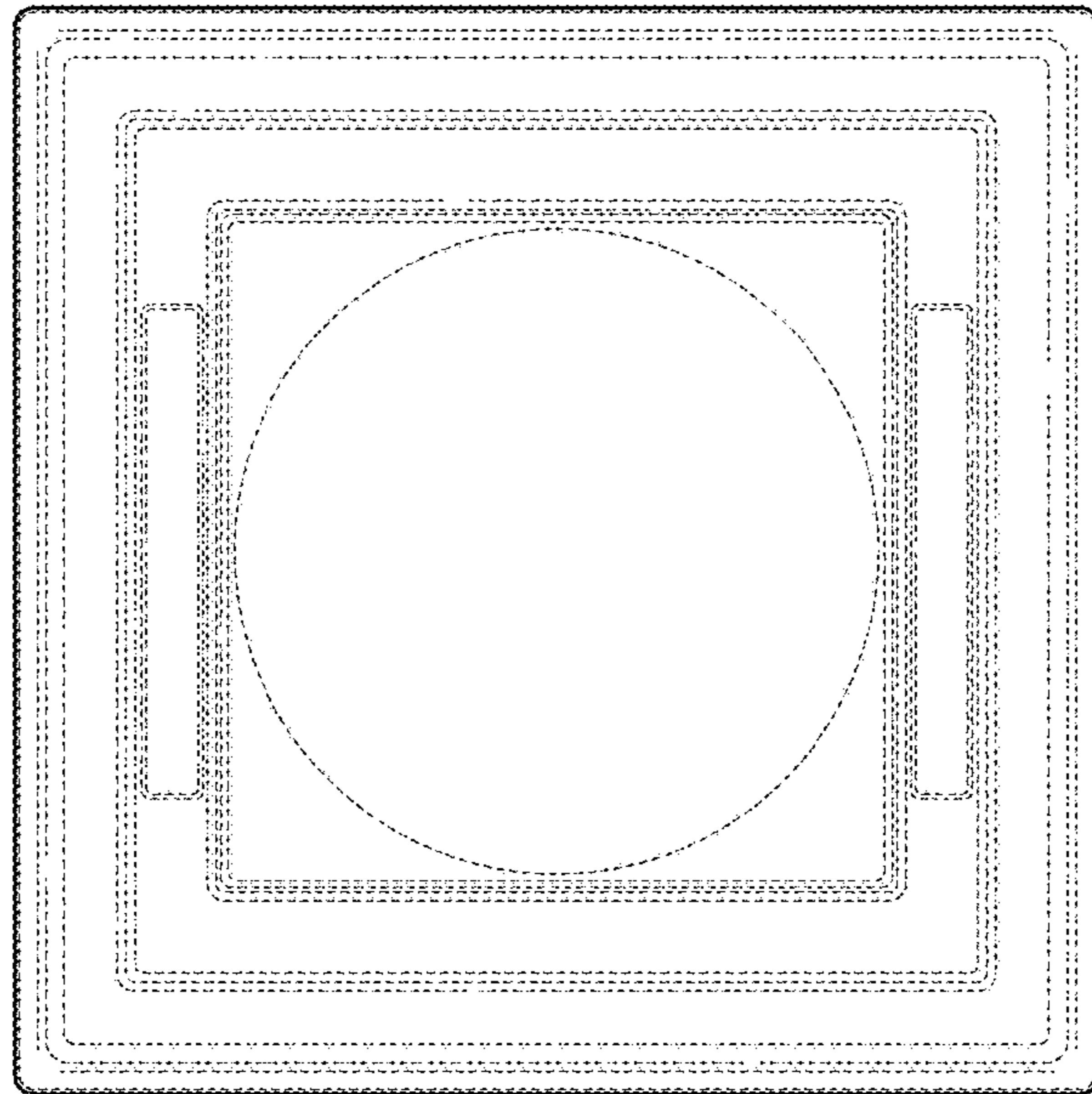


FIG. 6



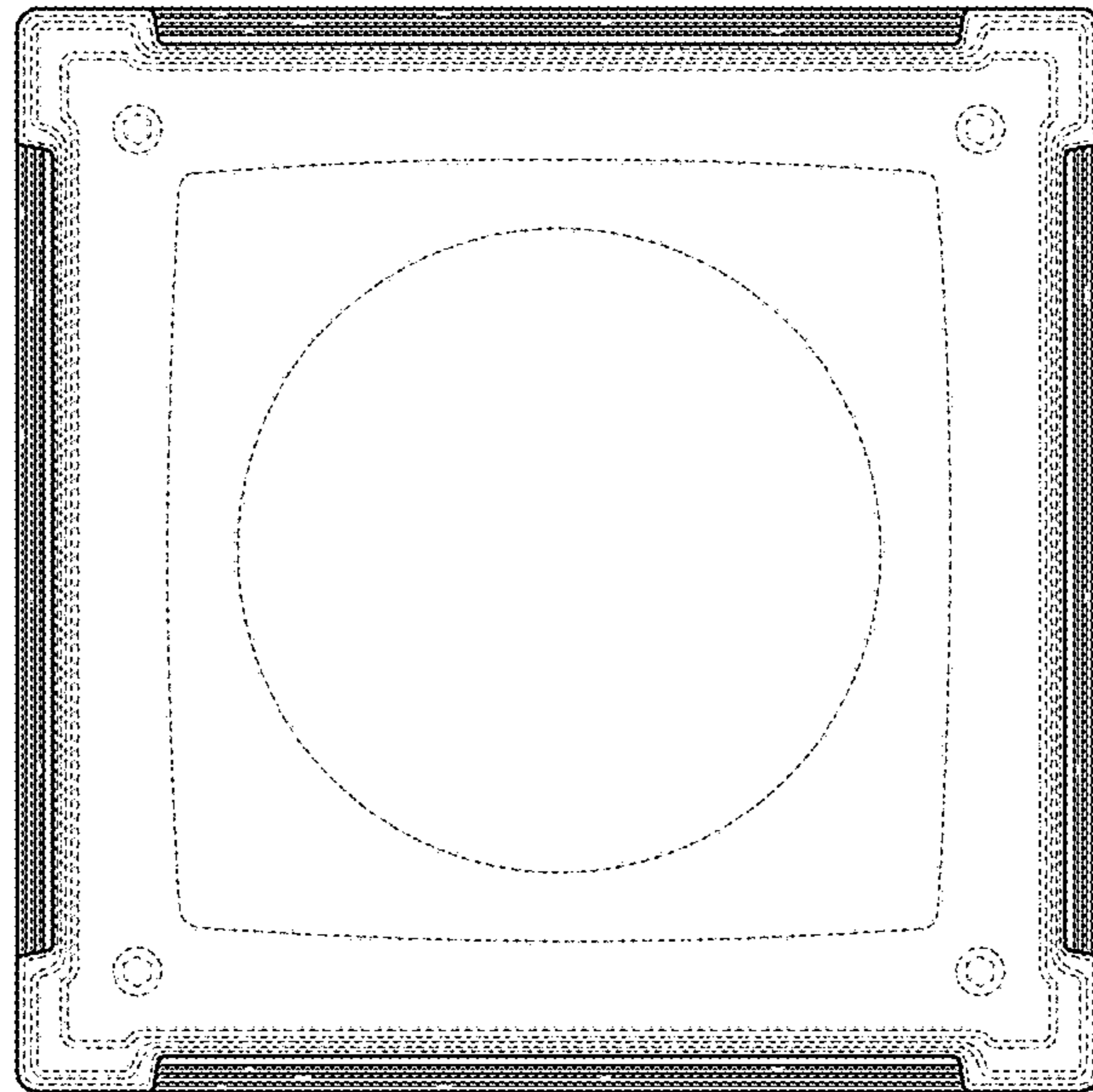


FIG. 7

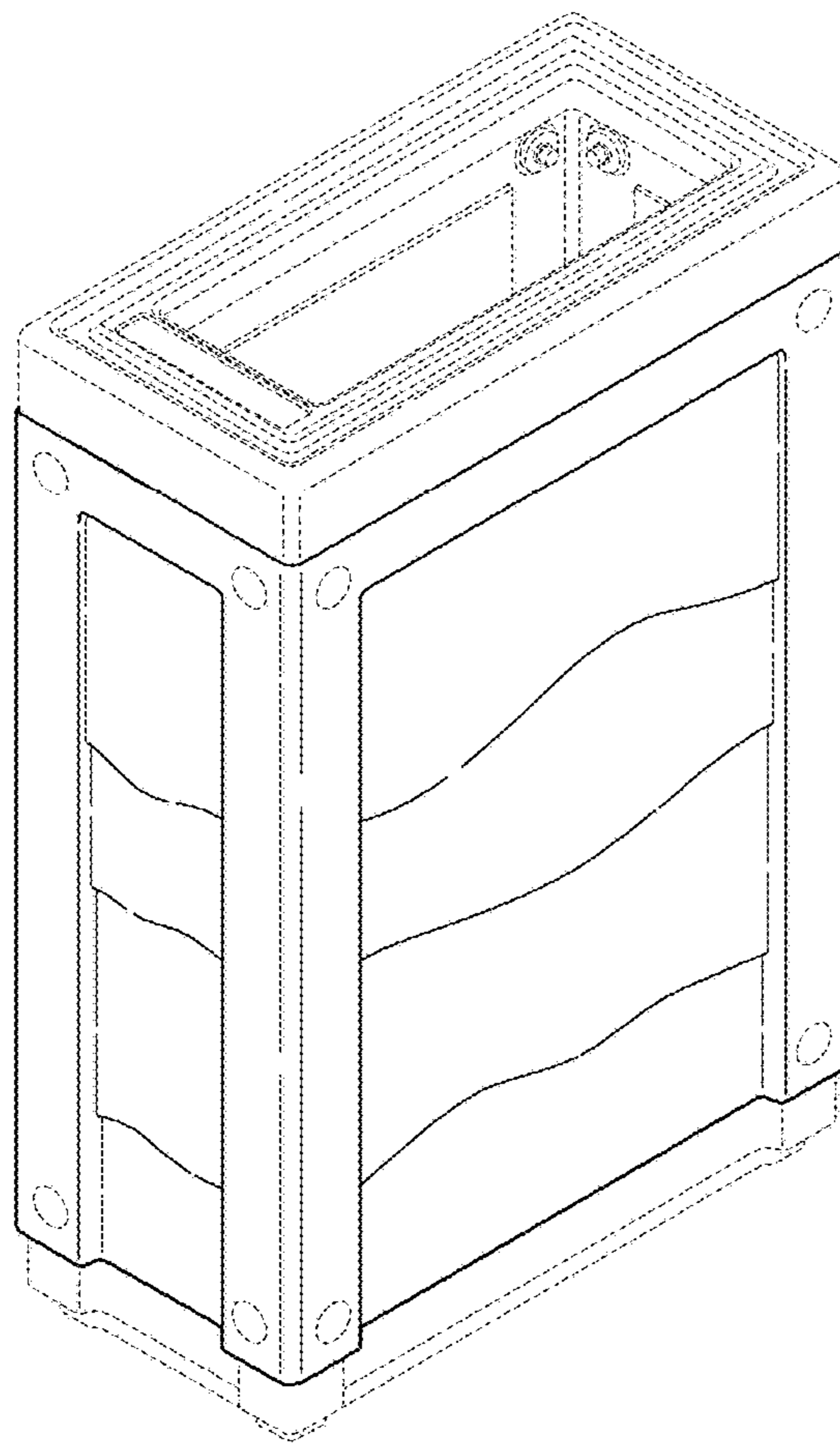


FIG. 8

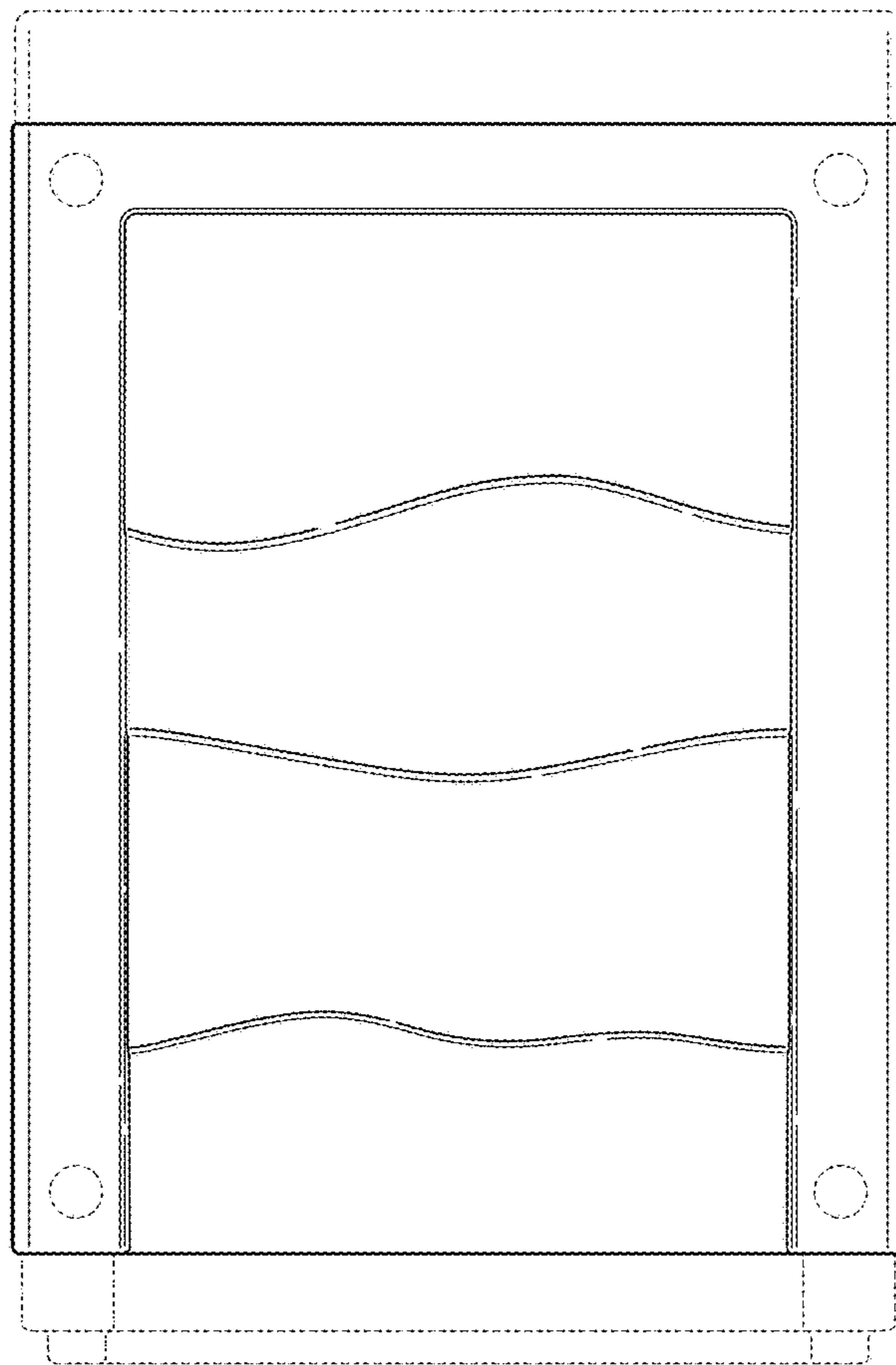
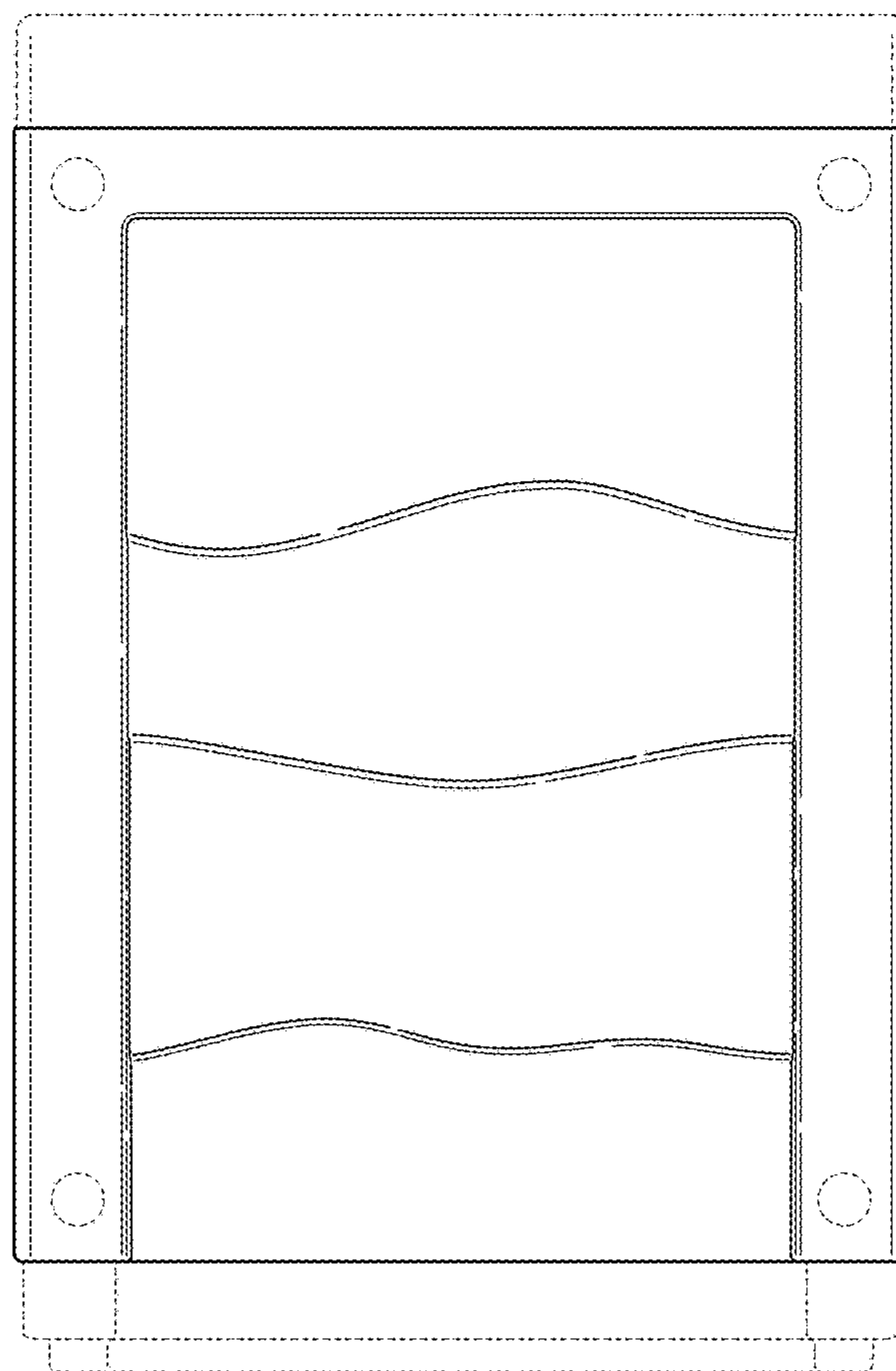


FIG. 9



**FIG. 10**

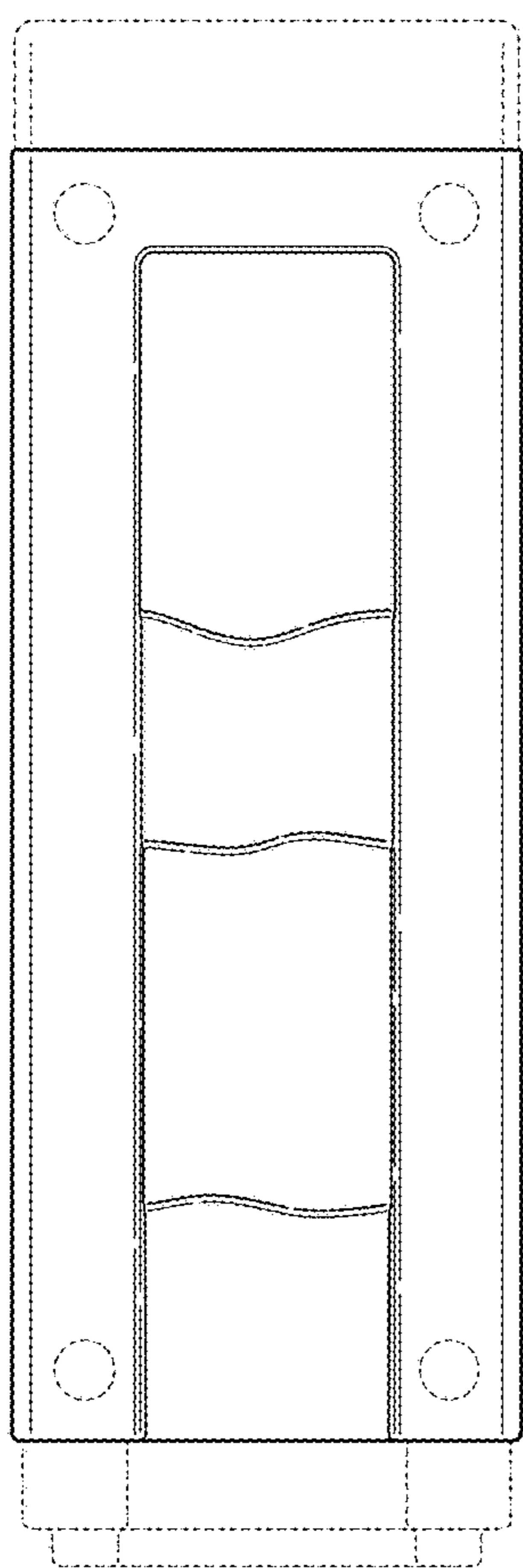


FIG. 11

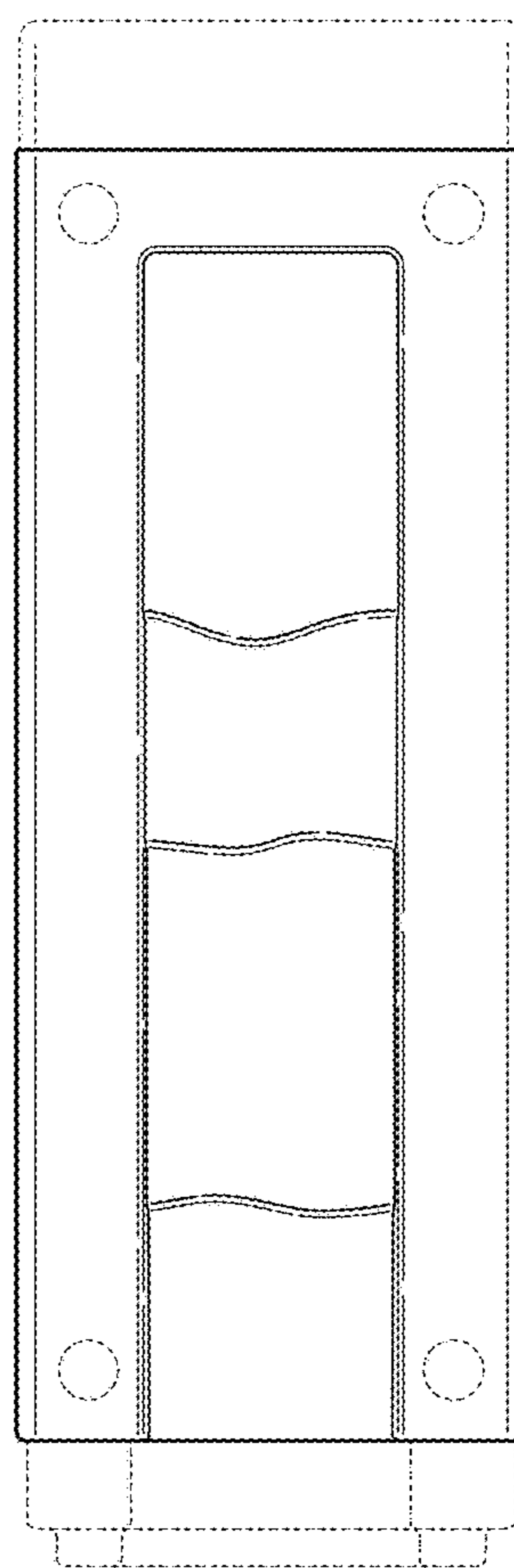


FIG. 12

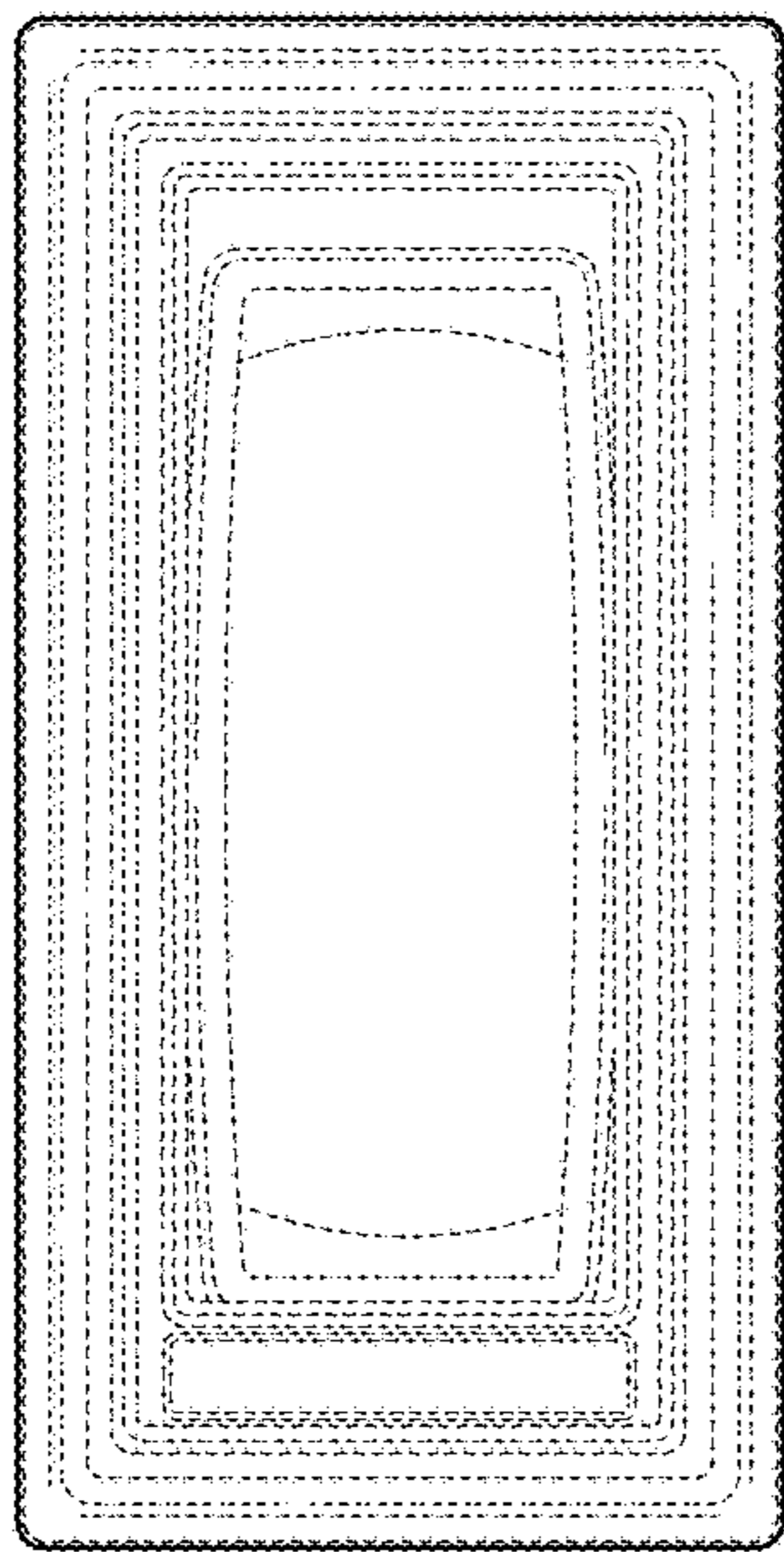


FIG. 13

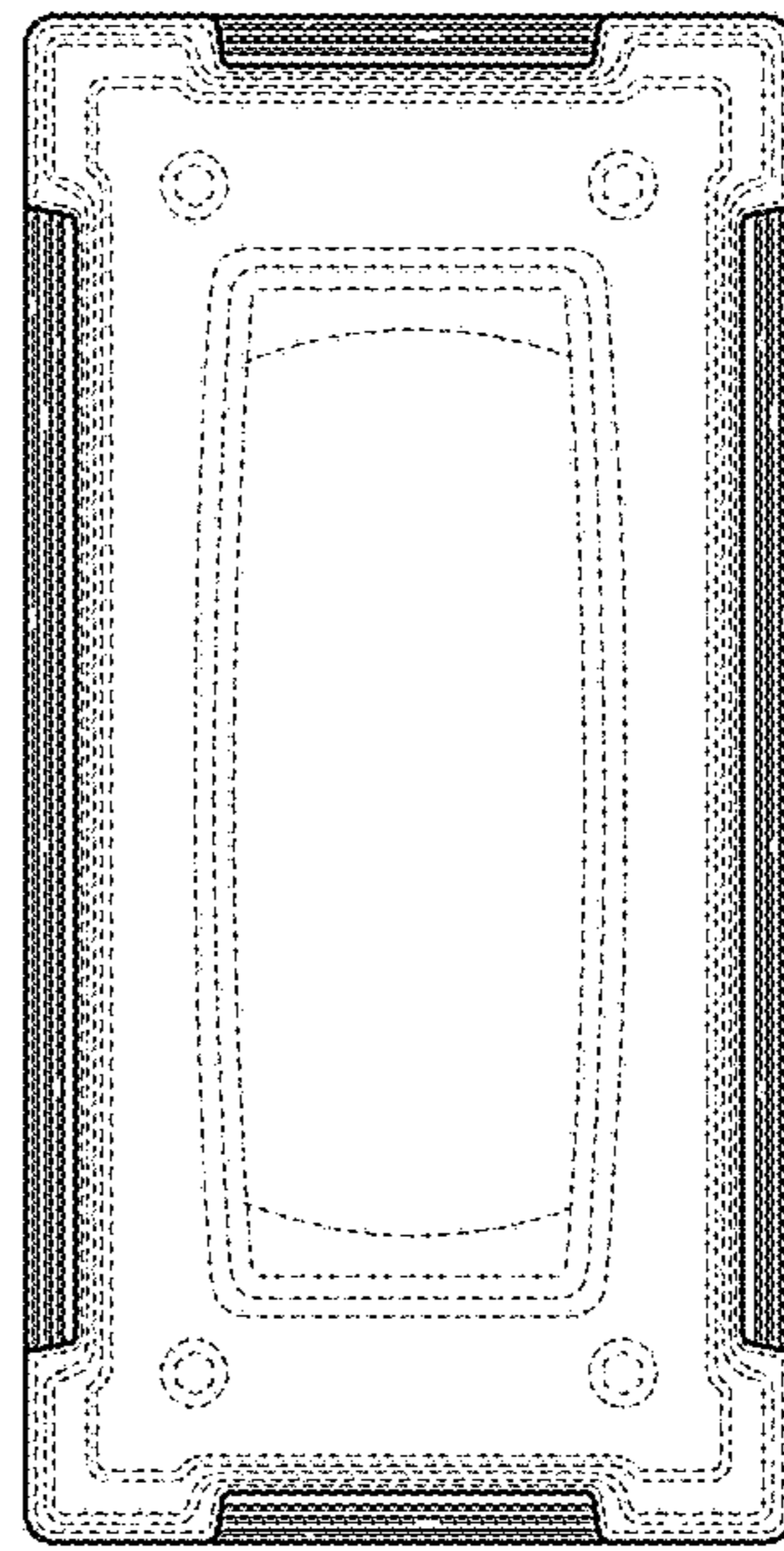


FIG. 14