



US00D848698S

(12) **United States Design Patent** (10) **Patent No.:** **US D848,698 S**  
**Busch** (45) **Date of Patent:** **\*\* May 14, 2019**

- (54) **CONTAINER**
- (71) Applicant: **BUSCH SYSTEMS INTERNATIONAL INC.**, Barrie (CA)
- (72) Inventor: **Craig Busch**, Barrie (CA)
- (73) Assignee: **BUSCH SYSTEMS INTERNATIONAL INC.**, Barrie (CA)
- (\*\*) Term: **15 Years**
- (21) Appl. No.: **29/666,241**
- (22) Filed: **Oct. 11, 2018**

D327,348 S 6/1992 Skorheim  
 5,181,297 A 1/1993 Andrews, Jr. et al.  
 D336,703 S \* 6/1993 Mason, Jr. .... D19/81  
 (Continued)

**OTHER PUBLICATIONS**

Buschsystems, "Evolve Double Ellipse Slim", Dec. 14, 2018.  
<https://store.buschsystems.com/40000124-8109028-44/child/evolve-double-ellipse-slim-%7C-ellipse-slim-full-%7C-full>. Shown on p. 1. (Year: 2018).\*

*Primary Examiner* — Cynthia Ramirez  
*Assistant Examiner* — Michael A Maharajh  
 (74) *Attorney, Agent, or Firm* — Marshall, Gerstein & Borun LLP

**Related U.S. Application Data**

- (62) Division of application No. 29/579,546, filed on Sep. 30, 2016, now Pat. No. Des. 835,373.
- (51) **LOC (11) Cl.** ..... **09-09**
- (52) **U.S. Cl.**  
USPC ..... **D34/7**
- (58) **Field of Classification Search**  
USPC ..... D34/1, 2, 3, 4, 5, 6, 7, 8, 9, 10, 11, 37, D34/39; D6/403; D9/737, 738, 770, D9/772, 778, 781; D11/143; D19/77, D19/99; D23/202, 203, 205; 220/211, 220/4.04, 484, 495.08, 569, 62.12, 62.13, 220/703, 737, 748, 908.1, 908.2, 908, 220/909, 495.09, 810, 495.06  
CPC ..... A47G 19/2205; A47G 19/23; B65D 2543/00194  
See application file for complete search history.

(57) **CLAIM**

The ornamental design for a container, as shown and described.

**DESCRIPTION**

FIG. 1 is a perspective view of a container showing a first variant of the design;  
 FIG. 2 is a front view thereof;  
 FIG. 3 is a rear view thereof;  
 FIG. 4 is a left side view thereof;  
 FIG. 5 is a right side view thereof;  
 FIG. 6 is a top view thereof;  
 FIG. 7 is a bottom view thereof;  
 FIG. 8 is a perspective view of a container showing a second variant of the design;  
 FIG. 9 is a front view thereof;  
 FIG. 10 is a rear view thereof;  
 FIG. 11 is a left side view thereof;  
 FIG. 12 is a right side view thereof;  
 FIG. 13 is a top view thereof; and,  
 FIG. 14 is a bottom view thereof.

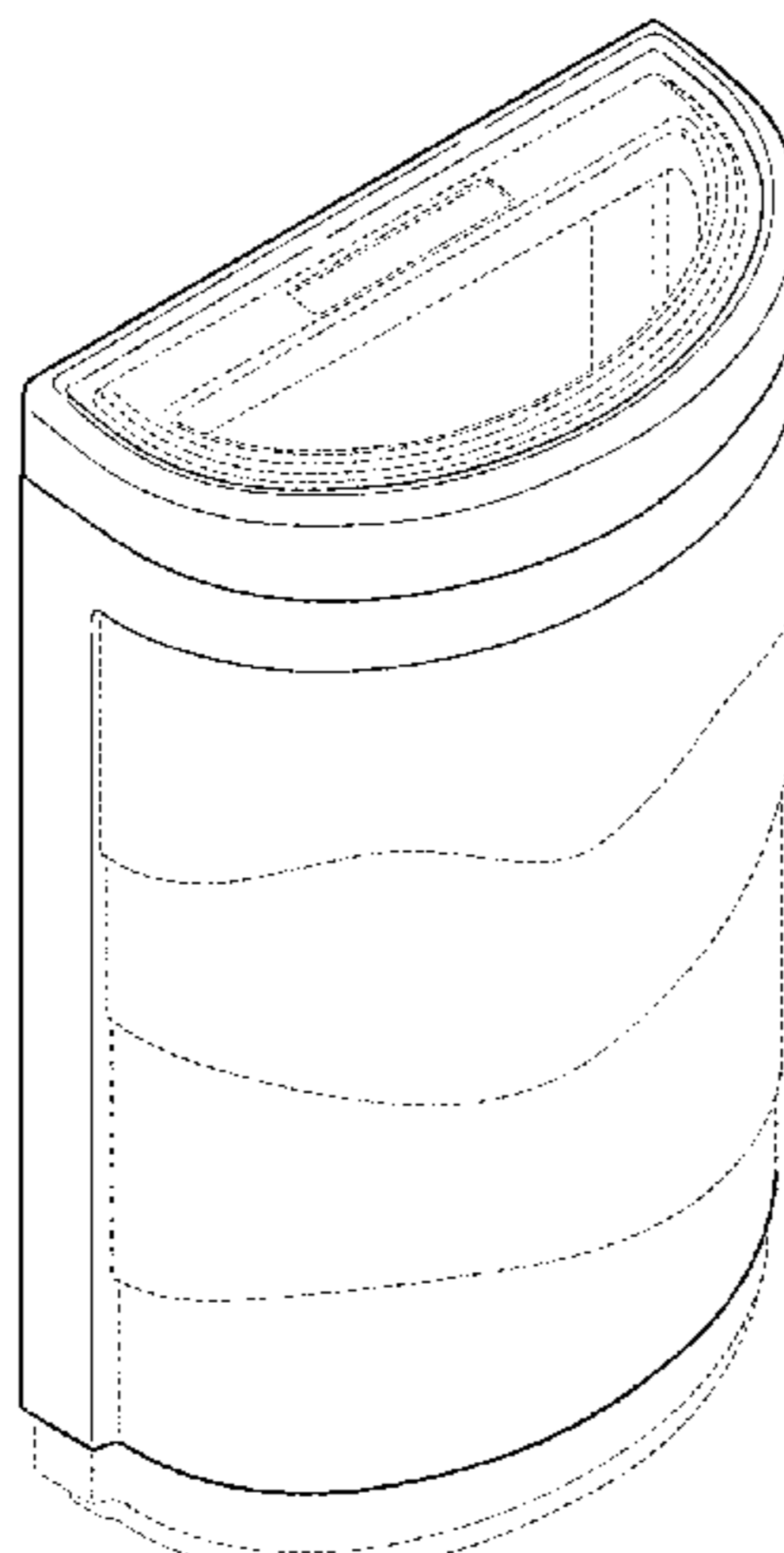
The broken lines shown in the figures are for the purpose of illustrating portions of the container, which form no part of the claimed design.

**1 Claim, 12 Drawing Sheets**

(56) **References Cited**

**U.S. PATENT DOCUMENTS**

- D118,410 S \* 1/1940 Dolgorukov ..... 211/43
- D246,771 S \* 12/1977 Daniels ..... D11/143
- D275,618 S 9/1984 Agard
- D324,122 S \* 2/1992 Brusing ..... D34/1
- 5,101,997 A \* 4/1992 Bagwell ..... B65F 1/0066  
220/23.4



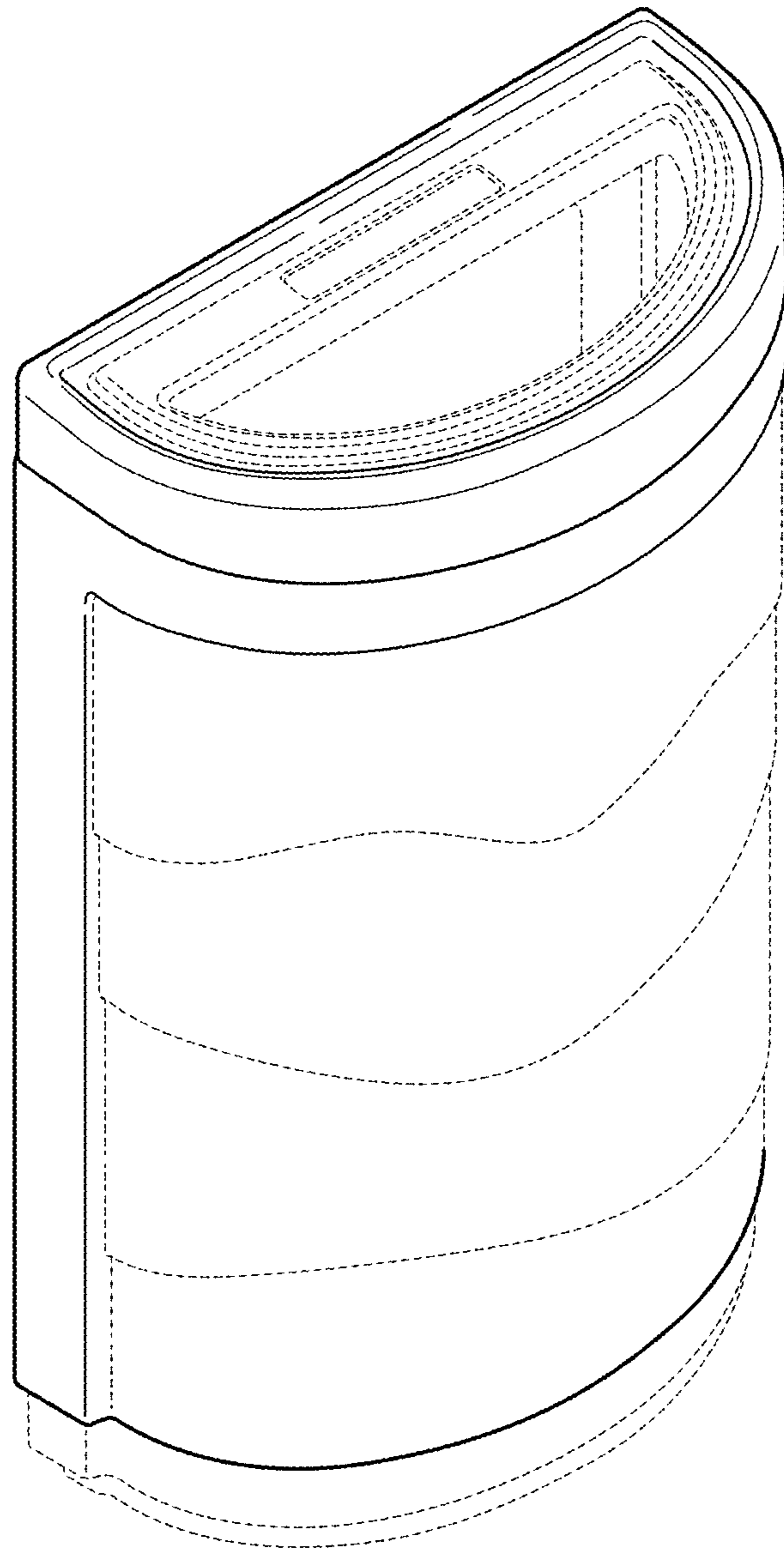
(56)

References Cited

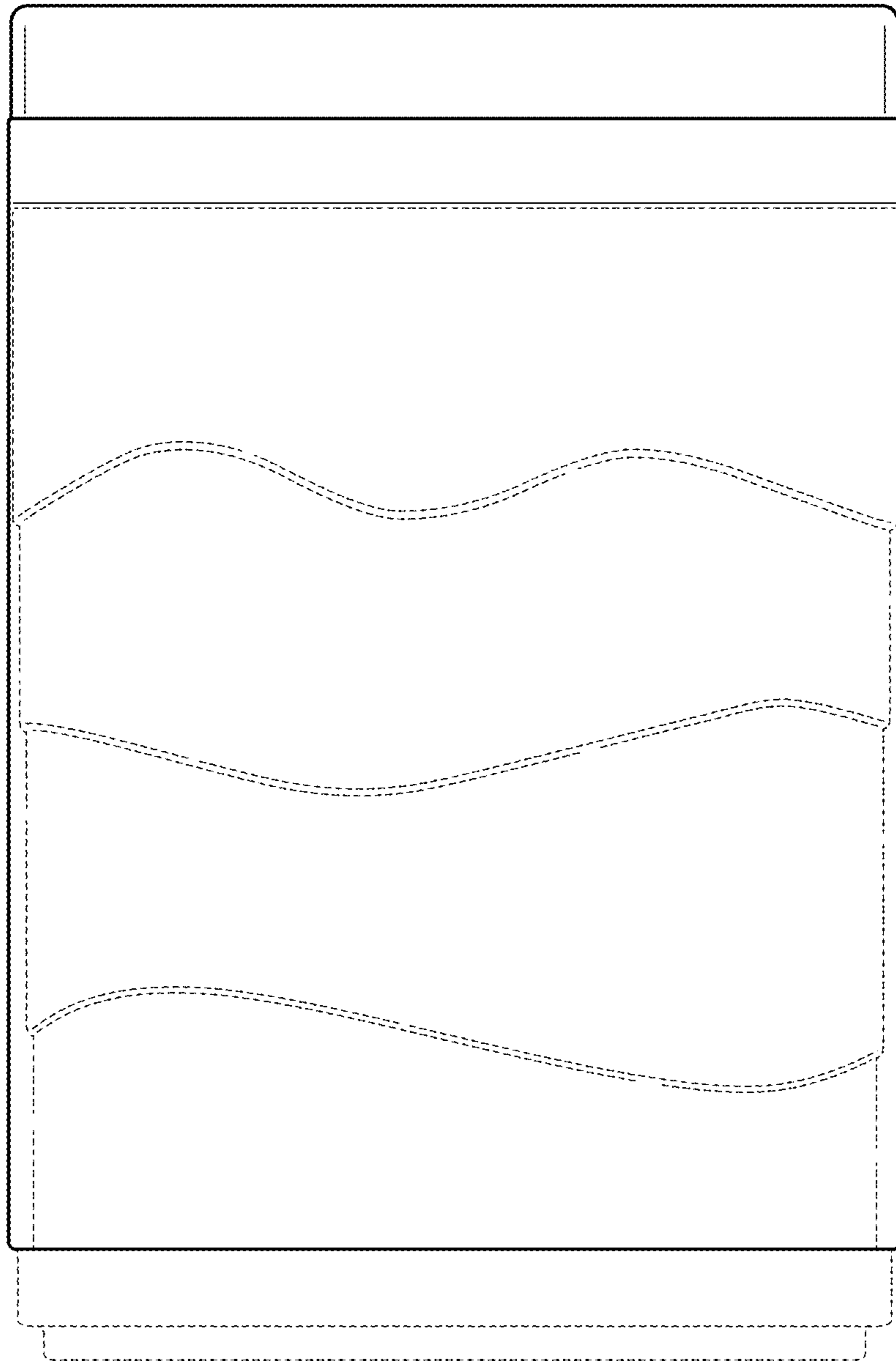
U.S. PATENT DOCUMENTS

5,476,187 A 12/1995 Marisco  
D520,702 S \* 5/2006 Miller ..... D34/1  
7,185,783 B1 \* 3/2007 Miller ..... B65F 1/14  
206/515  
D542,000 S \* 5/2007 Miller ..... D34/1  
D547,515 S \* 7/2007 Weiss ..... D34/1  
D580,613 S 11/2008 Yang et al.  
D625,068 S \* 10/2010 Shannon ..... D34/1  
7,837,165 B2 \* 11/2010 Stone ..... A47G 7/044  
224/414  
D644,806 S \* 9/2011 Yang ..... D34/1  
D730,007 S 5/2015 Machen  
D748,497 S \* 2/2016 Cruz ..... D9/737  
D758,037 S 5/2016 Madrid  
D759,332 S \* 6/2016 Basmajian ..... D34/1  
D770,296 S 11/2016 Rothfos  
D782,143 S \* 3/2017 Divizinskiy ..... D34/1  
D805,705 S \* 12/2017 Thuma ..... D34/1  
D825,876 S \* 8/2018 Chen ..... D34/1  
2009/0250471 A1 10/2009 Askonen  
2015/0060460 A1 3/2015 Corbitt  
2016/0167858 A1 6/2016 Sanfilippo et al.

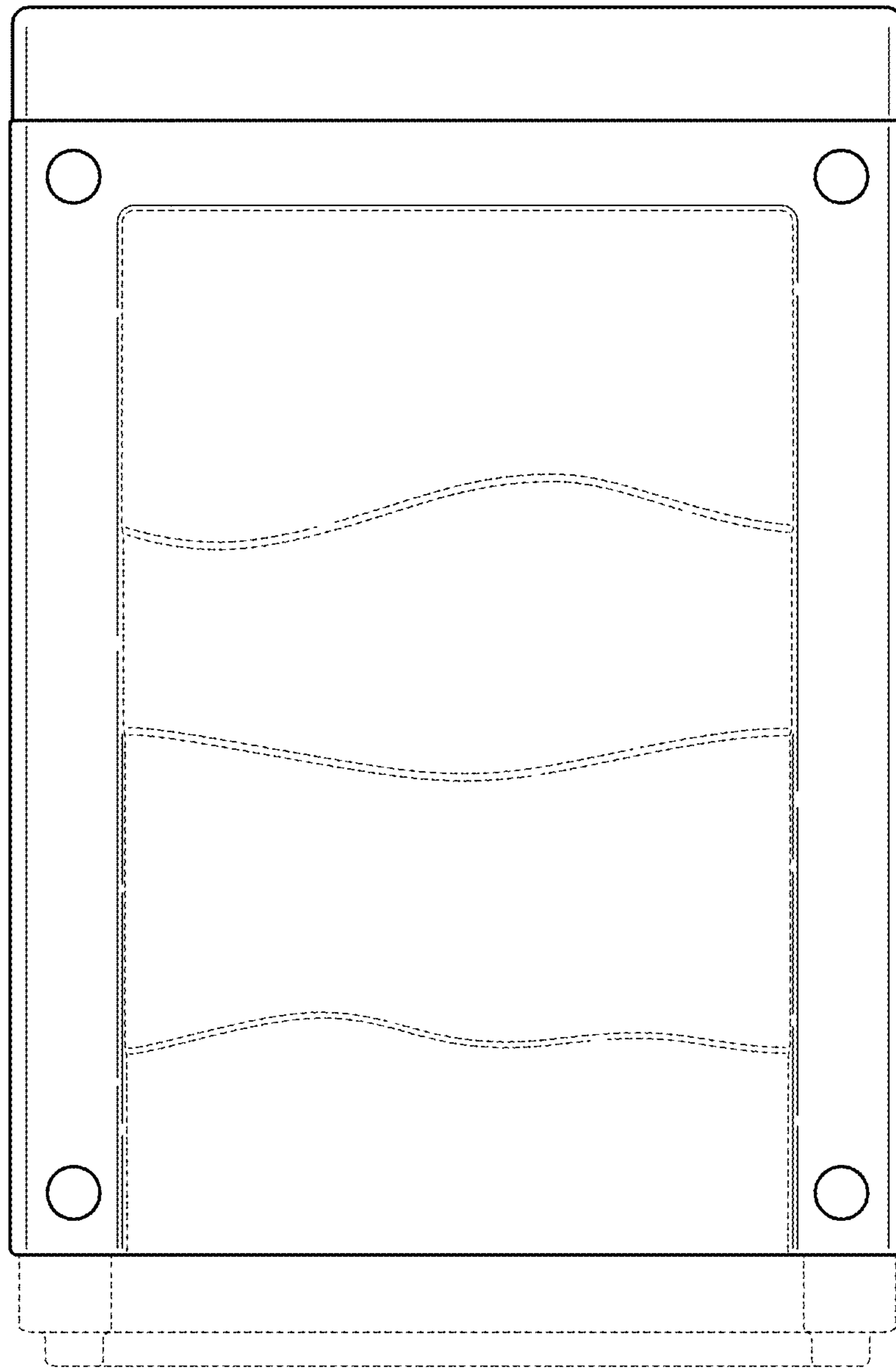
\* cited by examiner



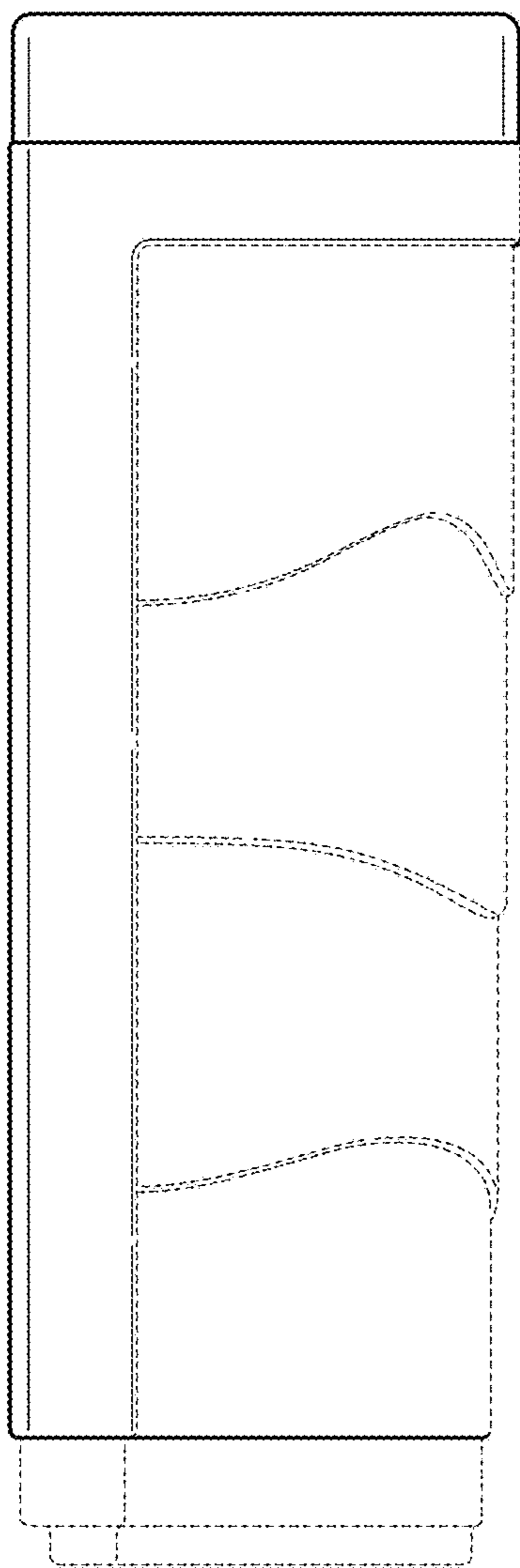
**FIG. 1**



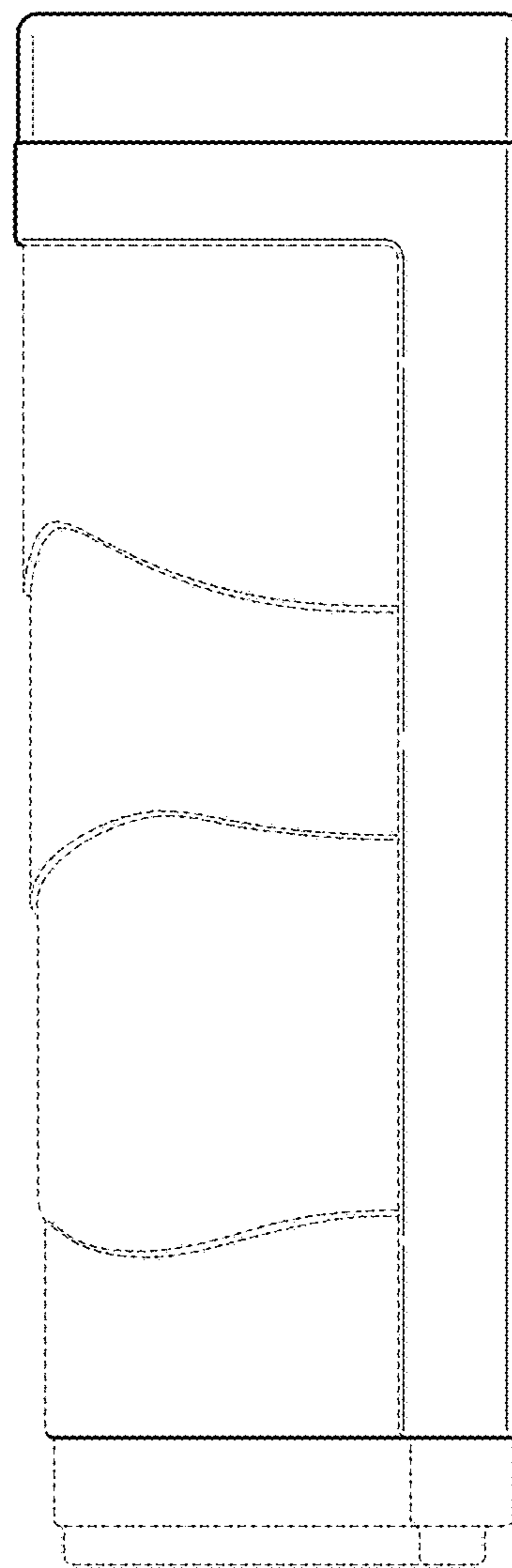
**FIG. 2**



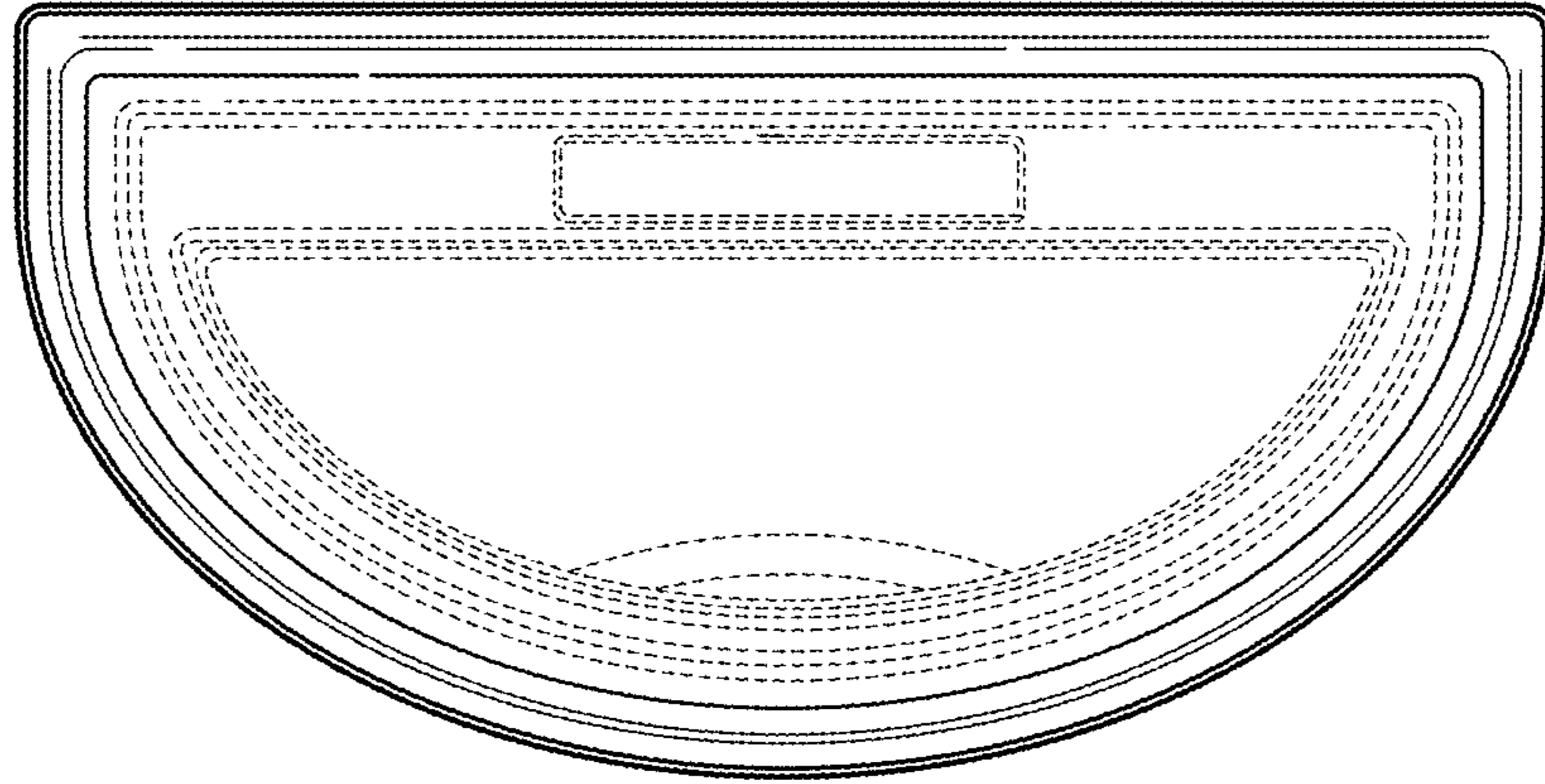
**FIG. 3**



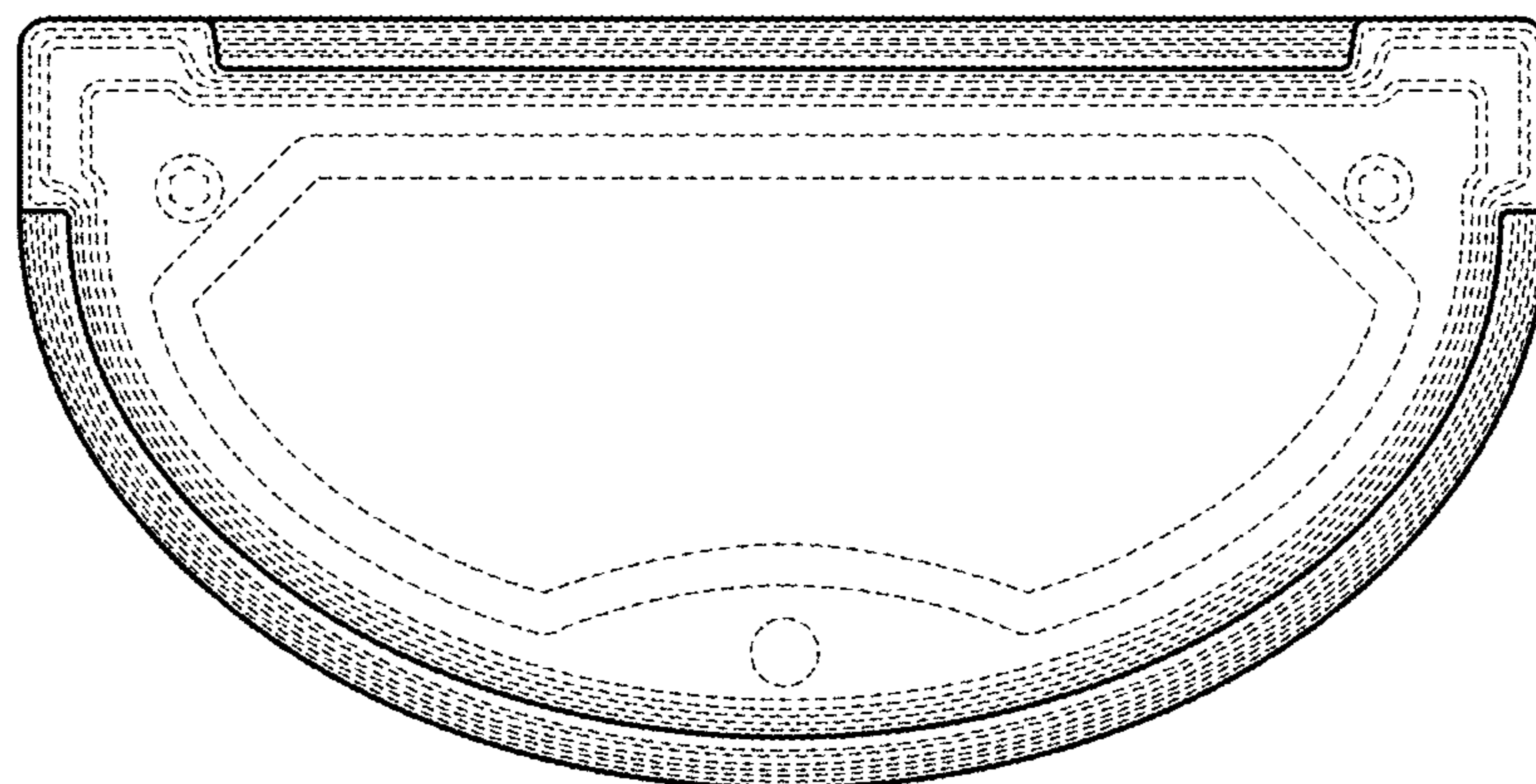
**FIG. 4**



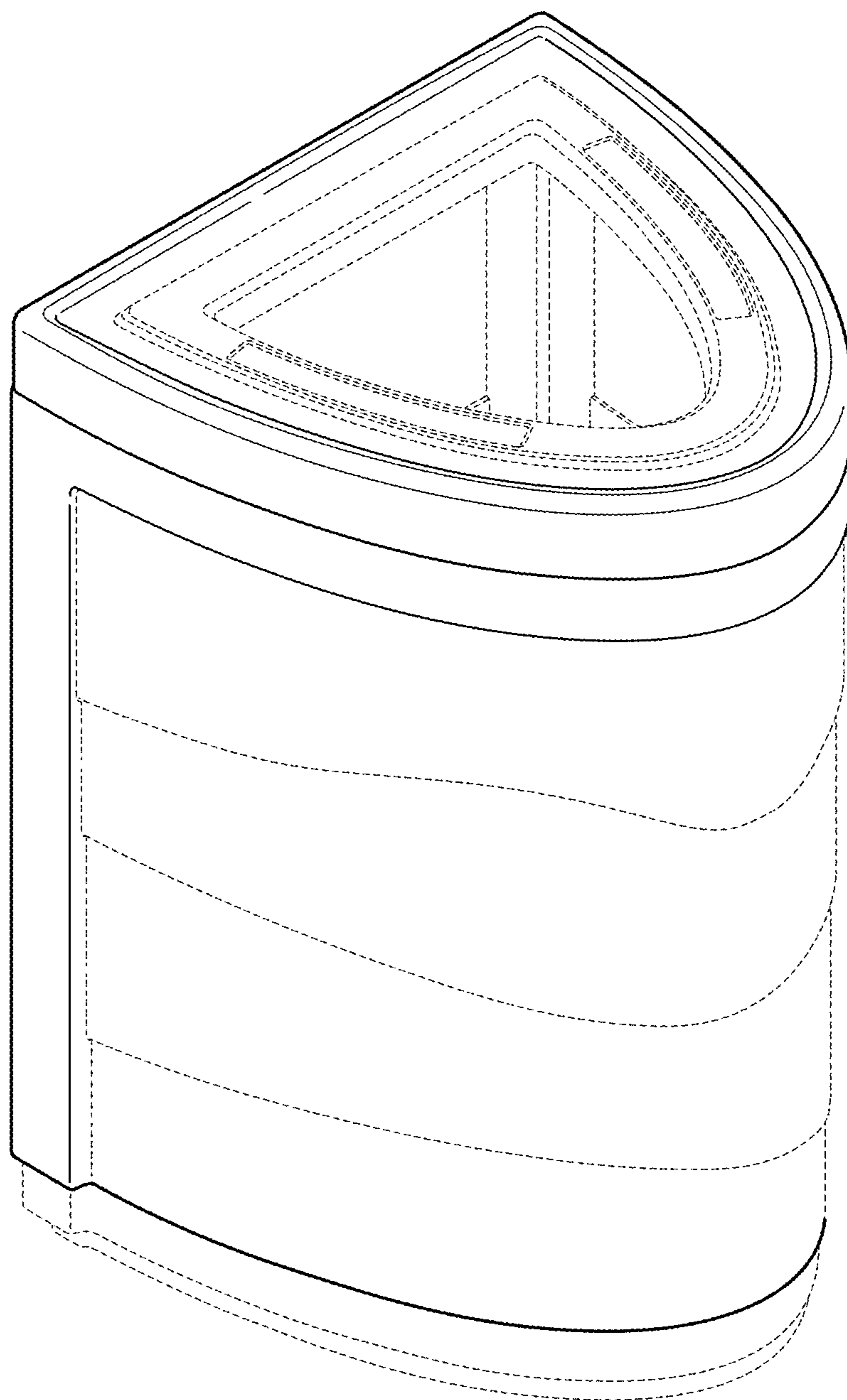
**FIG. 5**



**FIG. 6**

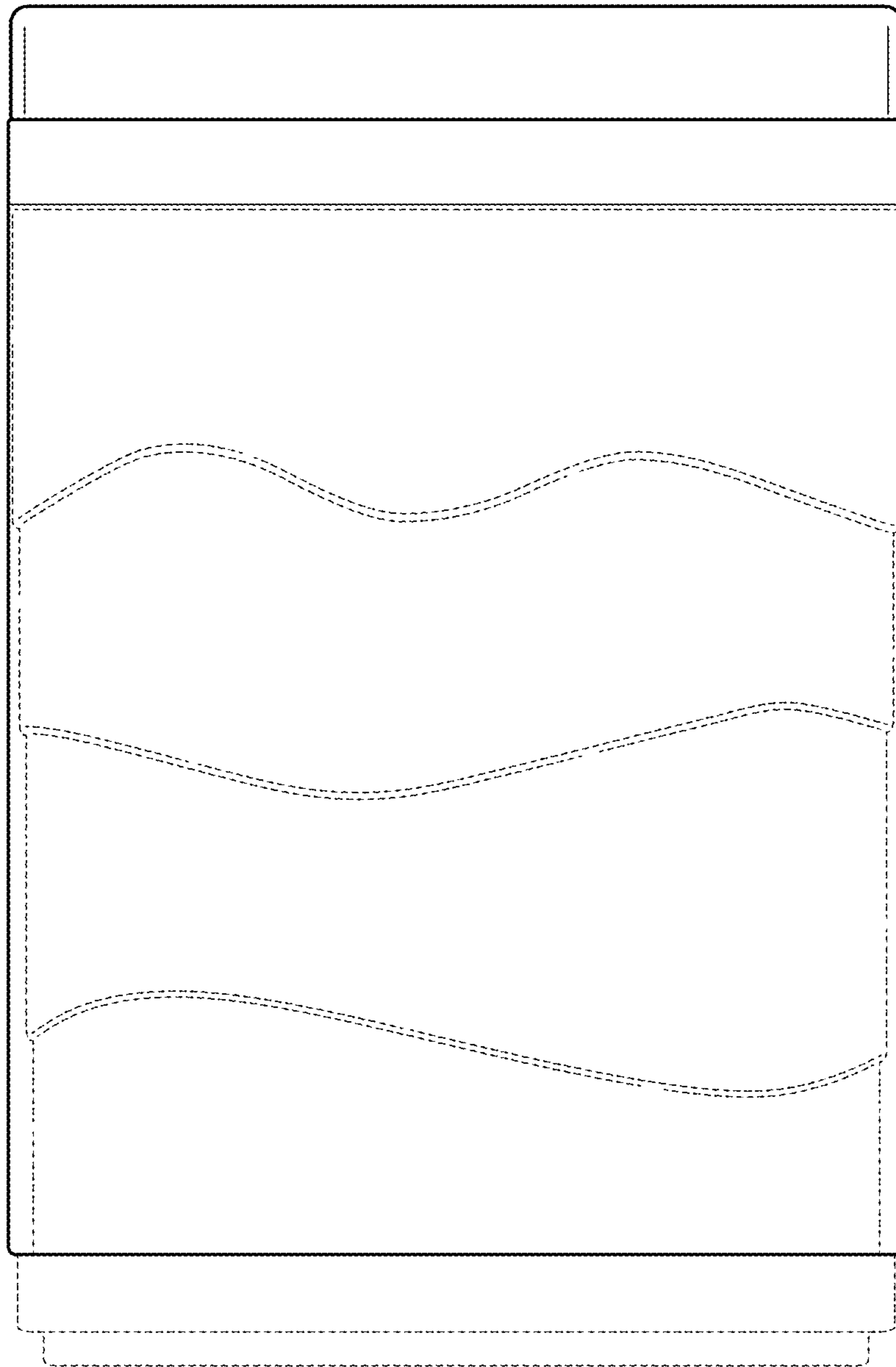


**FIG. 7**

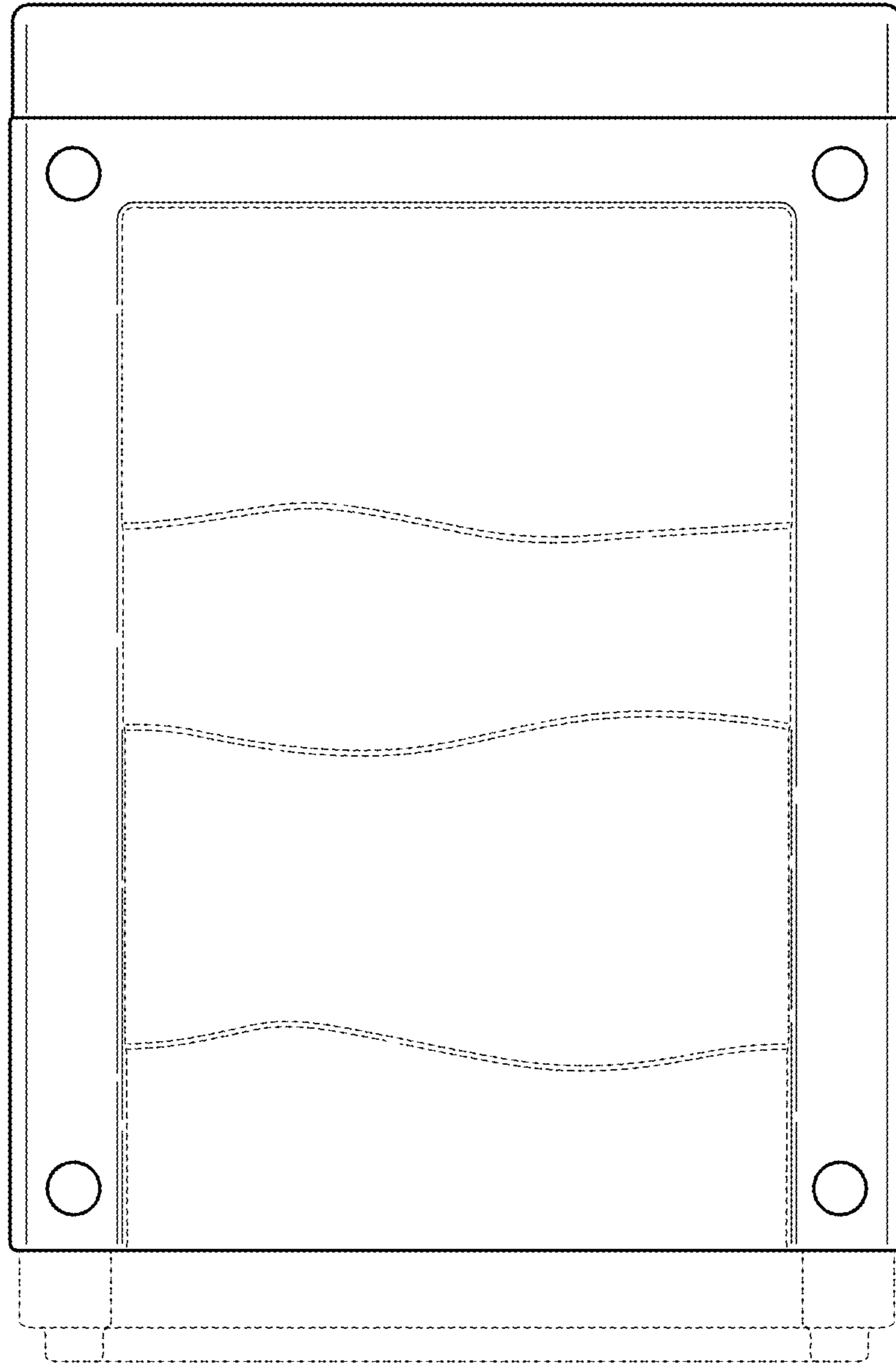


**FIG. 8**

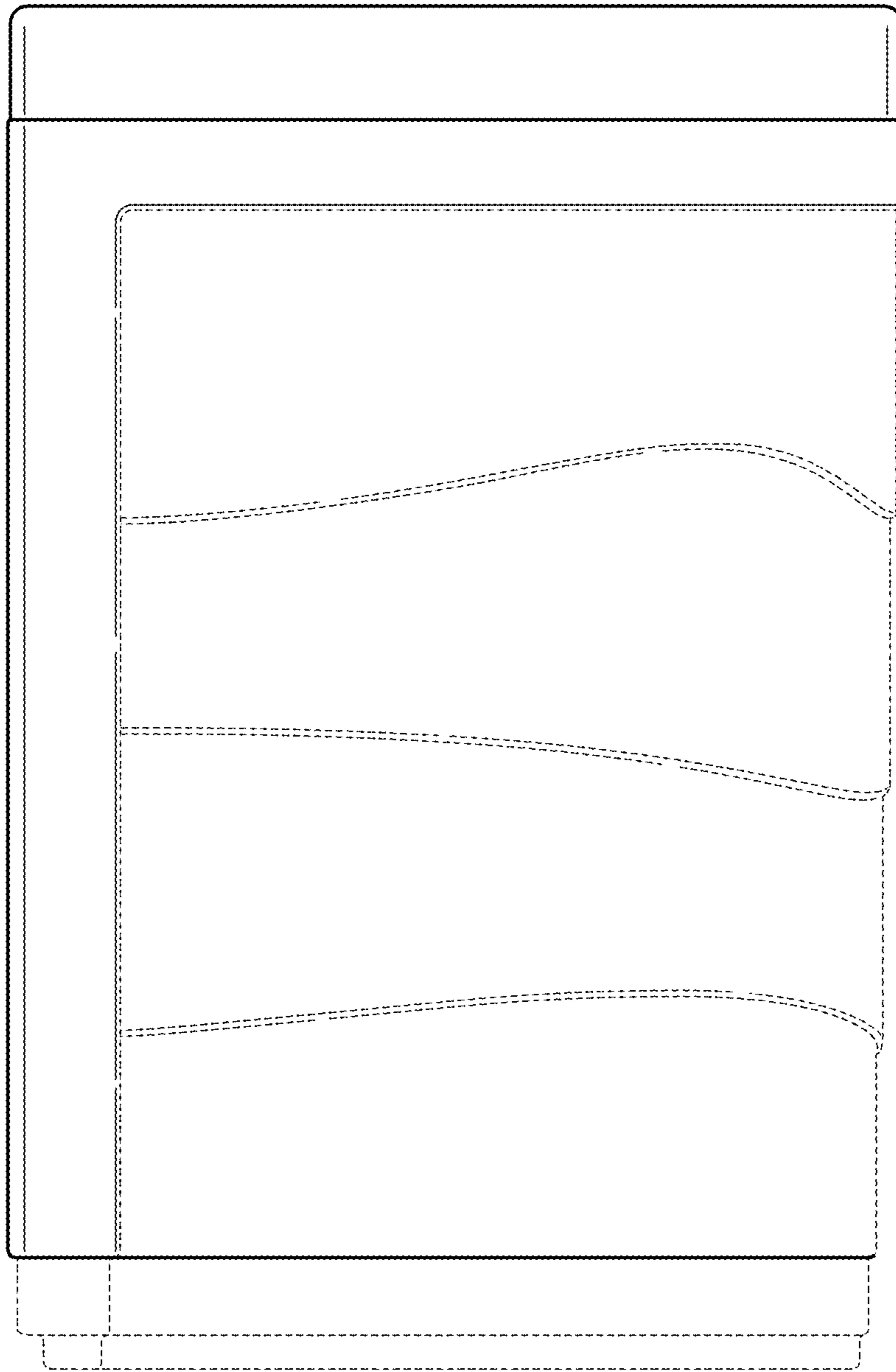




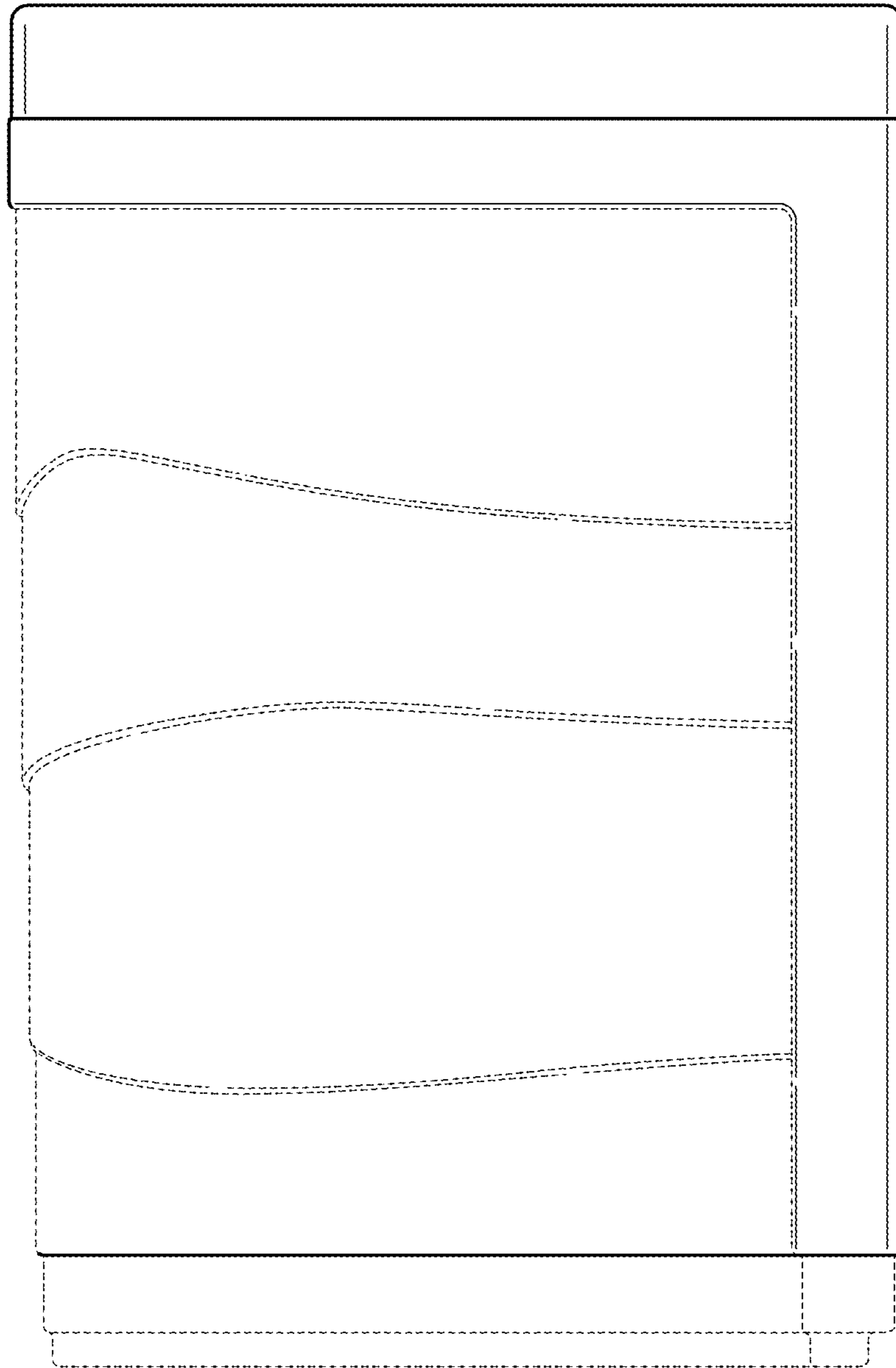
**FIG. 9**



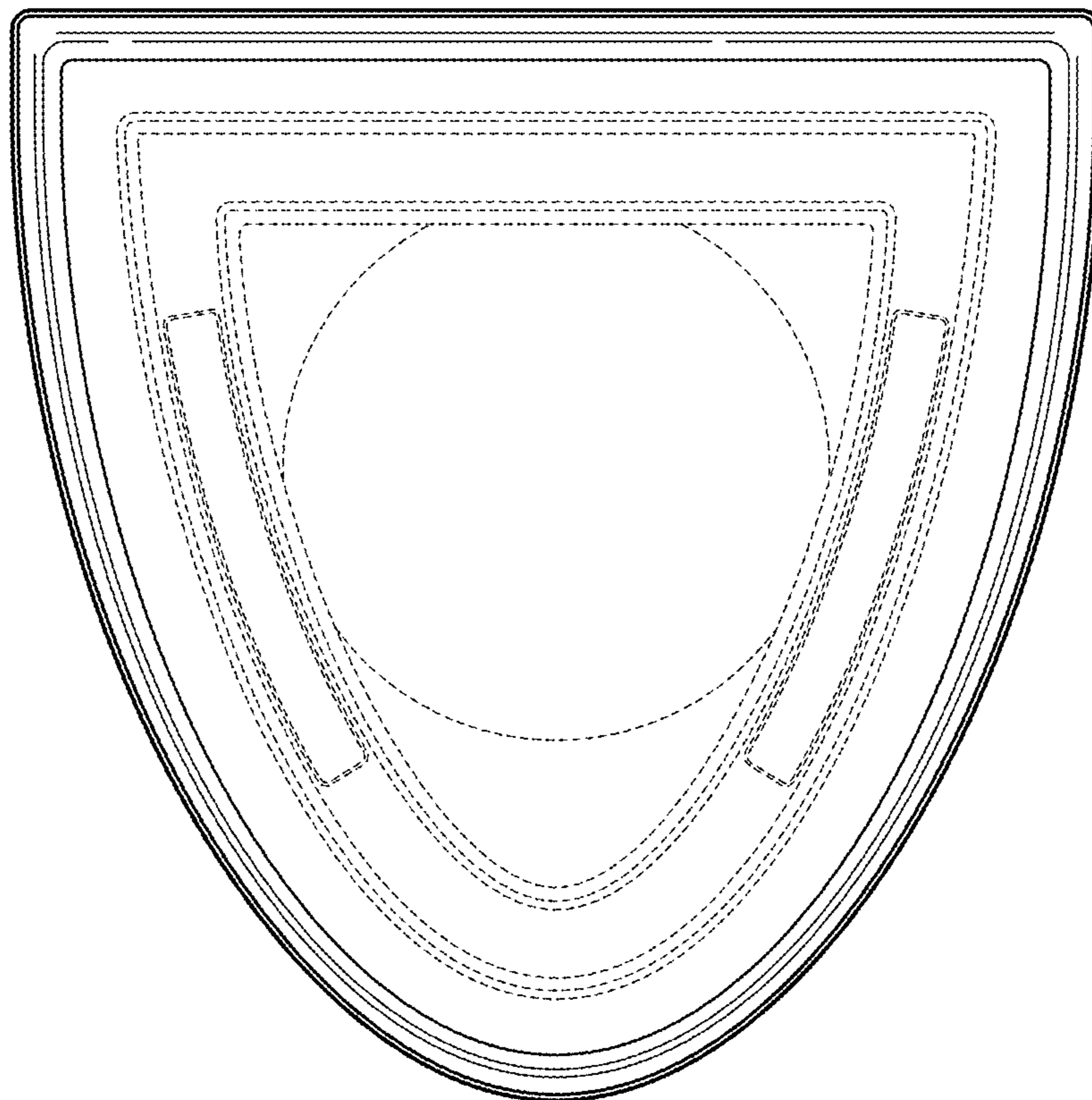
**FIG. 10**



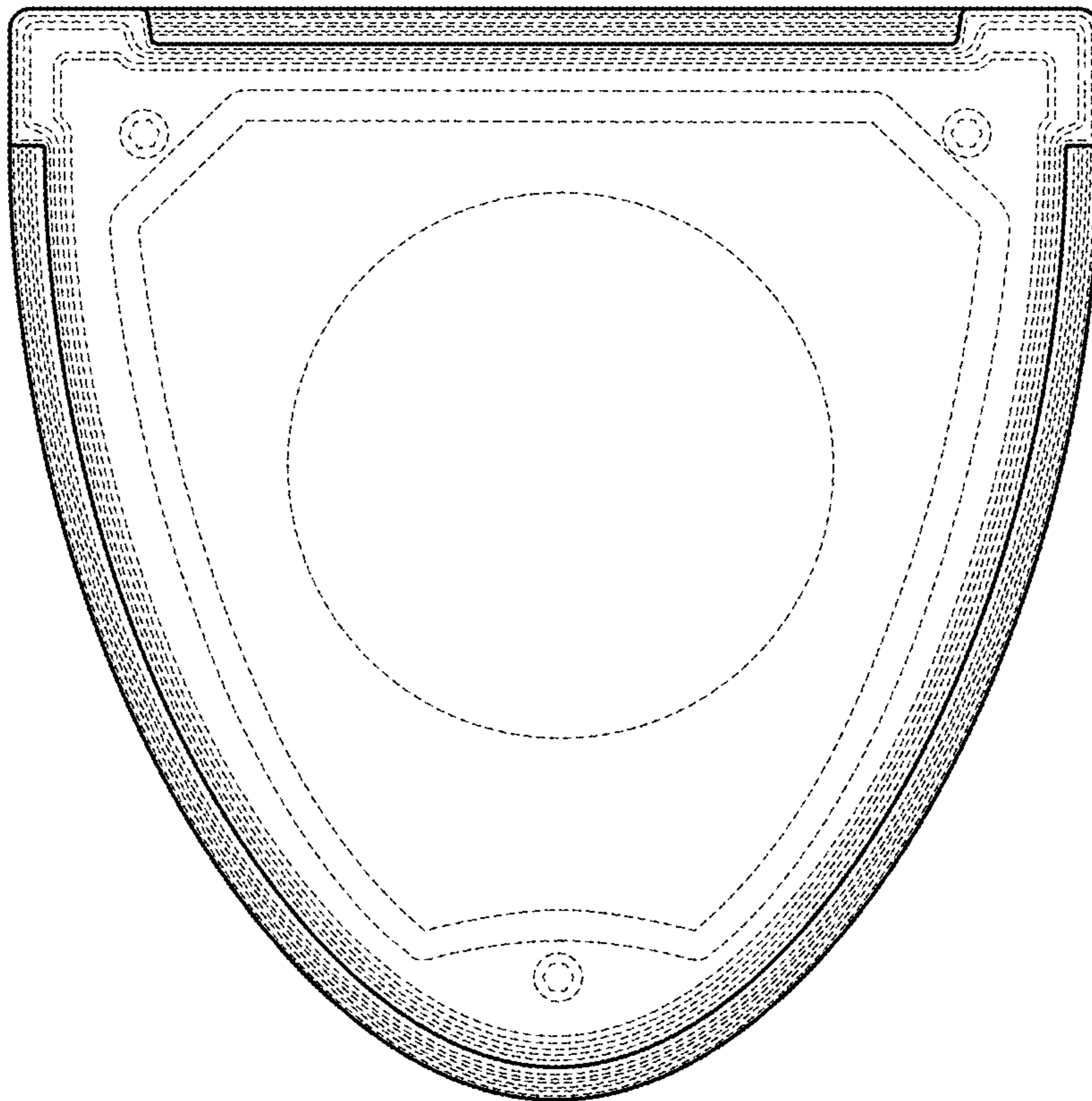
**FIG. 11**



**FIG. 12**



**FIG. 13**



**FIG. 14**