



US00D848697S

(12) **United States Design Patent**
Gayeski

(10) **Patent No.:** **US D848,697 S**

(45) **Date of Patent:** **** May 14, 2019**

(54) **COMBINATION PAINT BRUSH SCRAPER
AND WASHSPONGE HOLDER**

(71) Applicant: **Richard Gayeski**, Norwich, CT (US)

(72) Inventor: **Richard Gayeski**, Norwich, CT (US)

(73) Assignee: **Brush Tank Corp.**, Sheridan, WY (US)

(**) Term: **15 Years**

(21) Appl. No.: **29/651,173**

(22) Filed: **Feb. 1, 2018**

(51) **LOC (11) Cl.** **07-07**

(52) **U.S. Cl.**
USPC **D32/54**

(58) **Field of Classification Search**
USPC D32/53, 53.1, 54
CPC B44D 3/12; B44D 3/123; B44D 3/125;
B44D 3/126; B44D 3/128; A47B 17/00;
A47B 17/02; A47L 13/50; A47J 47/18;
A47G 29/08

See application file for complete search history.

(56) **References Cited**

U.S. PATENT DOCUMENTS

- 3,156,364 A * 11/1964 Wolcott B44D 3/125
206/209
- 3,641,615 A * 2/1972 Peasley B44D 3/12
108/48
- D301,422 S * 6/1989 Schmidt D19/105
- 4,852,833 A * 8/1989 Lockwood B44D 3/123
248/110
- 5,016,773 A * 5/1991 Lockwood B44D 3/123
206/209

- 5,046,623 A * 9/1991 Takacs B44D 3/125
211/65
- D431,701 S * 10/2000 Castillo B44D 3/12
D32/54
- 6,193,080 B1 * 2/2001 Castillo B44D 3/12
211/66
- D685,971 S * 7/2013 Thibault B44D 3/125
D32/54
- 8,701,899 B2 * 4/2014 Paga A47F 5/01
211/181.1
- 9,067,462 B1 * 6/2015 Pressler A46B 17/02

* cited by examiner

Primary Examiner — Robin V Webster

(74) *Attorney, Agent, or Firm* — Robert J. Doherty

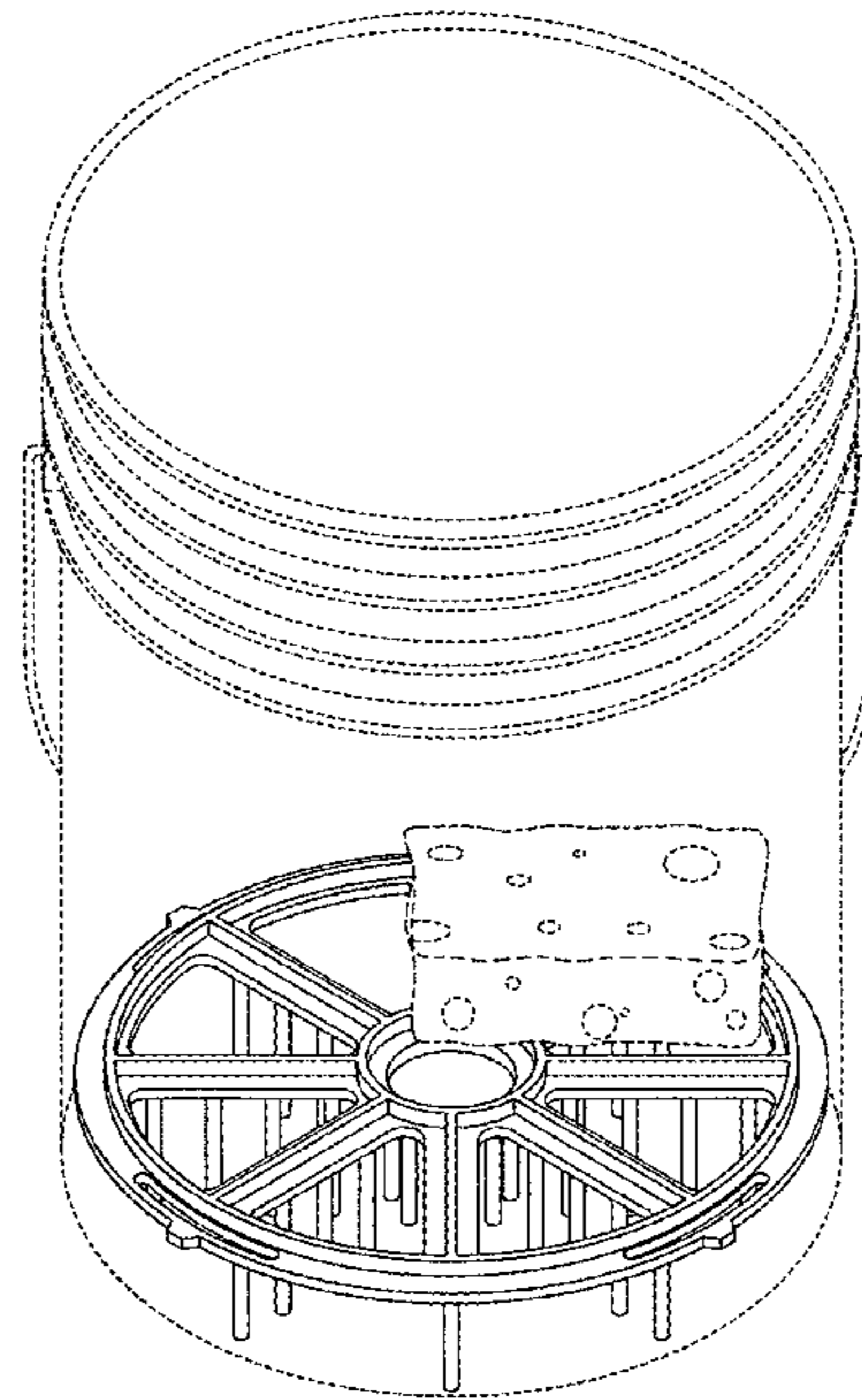
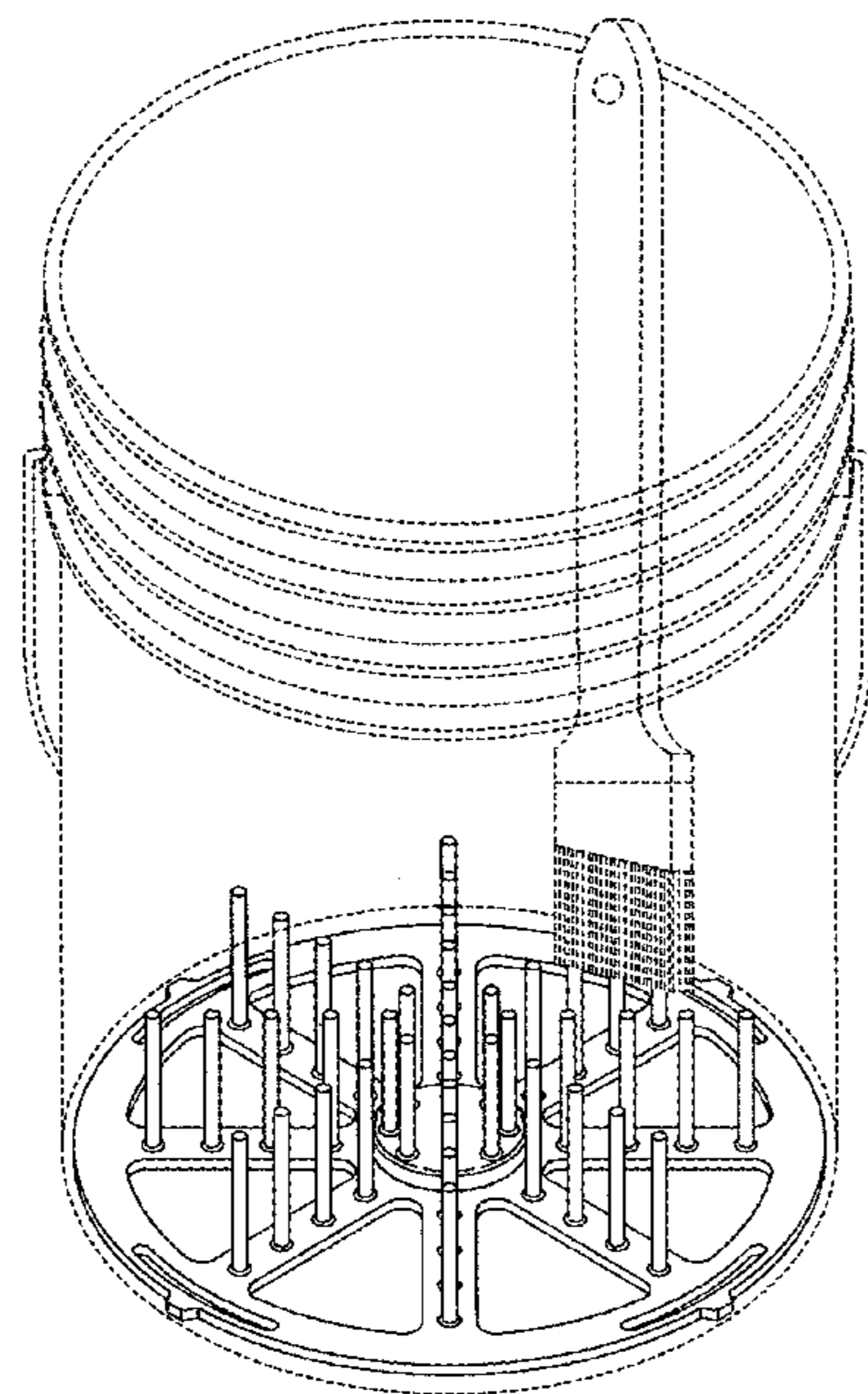
(57) **CLAIM**

The ornamental design for a combination paint brush scraper and washsponge holder, as shown and described.

DESCRIPTION

FIG. 1 is a front perspective view of a combination paint brush scraper and washsponge holder in one use mode of the device showing my new design;
 FIG. 2 is an enlarged front perspective view of FIG. 1;
 FIG. 3 is a top plan view of FIG. 2;
 FIG. 4 is a bottom plan view of FIG. 2;
 FIG. 5 is a front elevation view of FIG. 2, the rear and side elevation views being the substantial equivalent thereof;
 FIG. 6 is a front perspective view of a combination paint brush scraper and washsponge holder in an alternate use mode of the device; and,
 FIG. 7 is an enlarged front perspective of FIG. 6.
 The broken lines depict environmental structures and form no part of the claimed design.

1 Claim, 7 Drawing Sheets



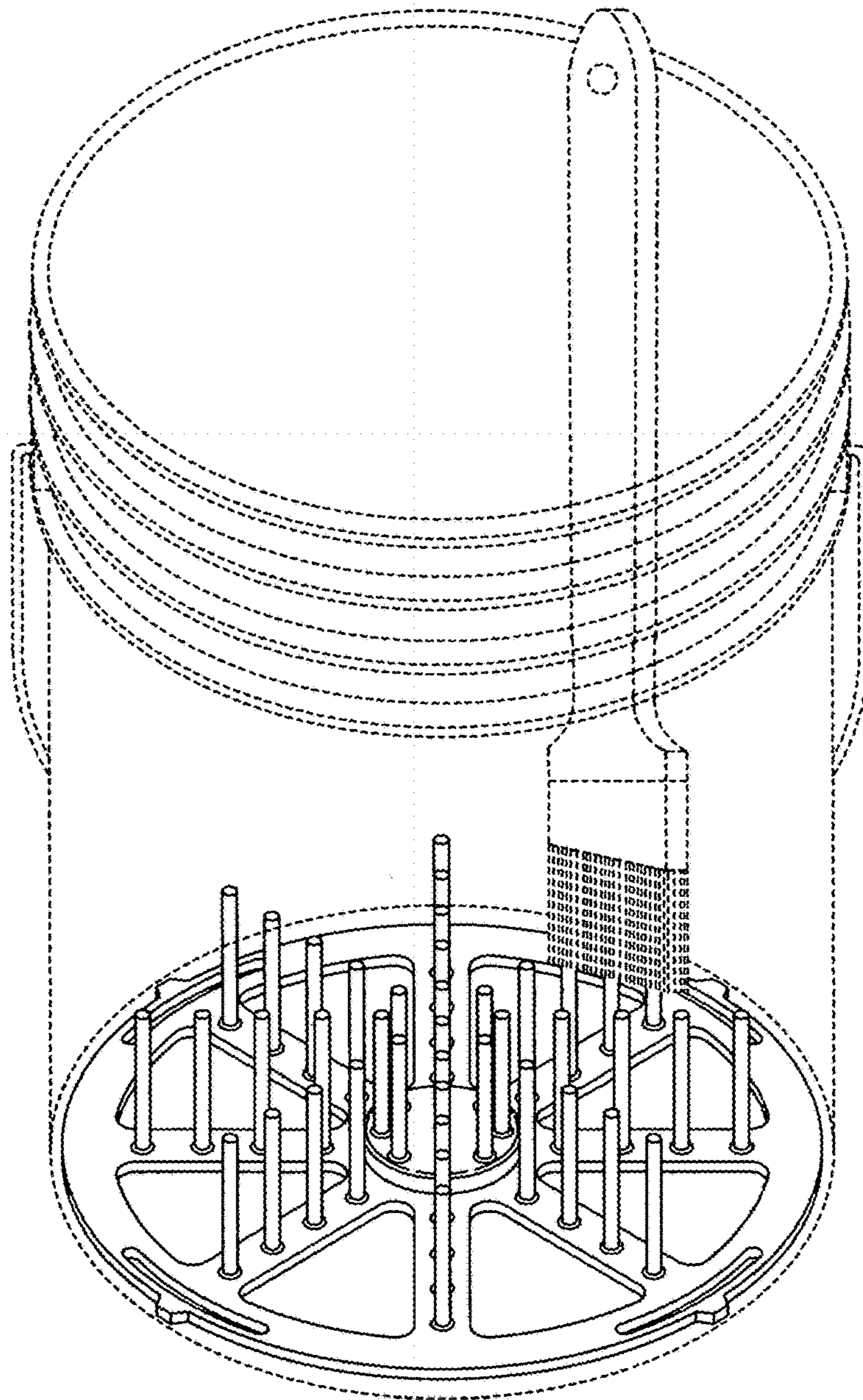


FIG. 1

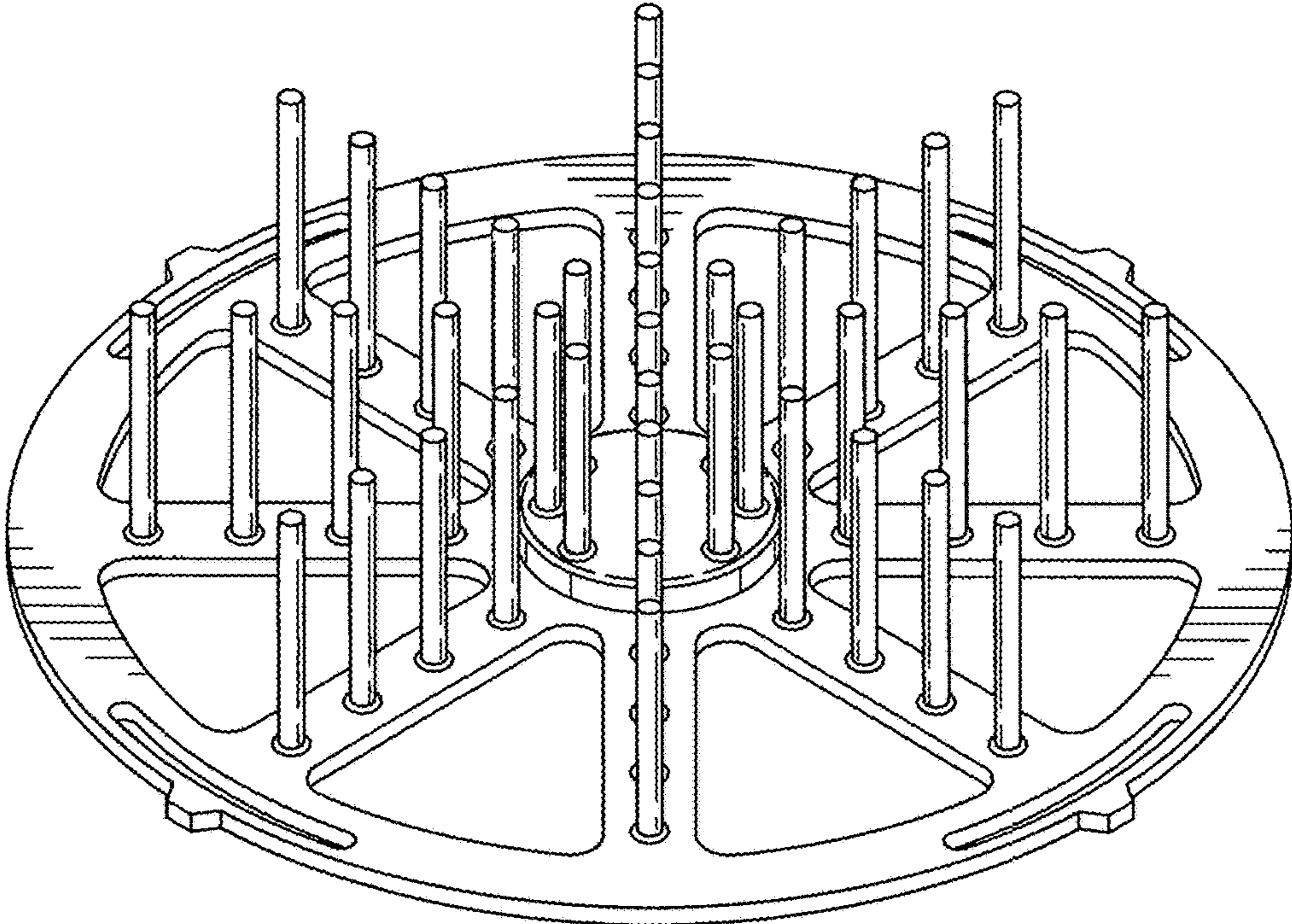


FIG. 2

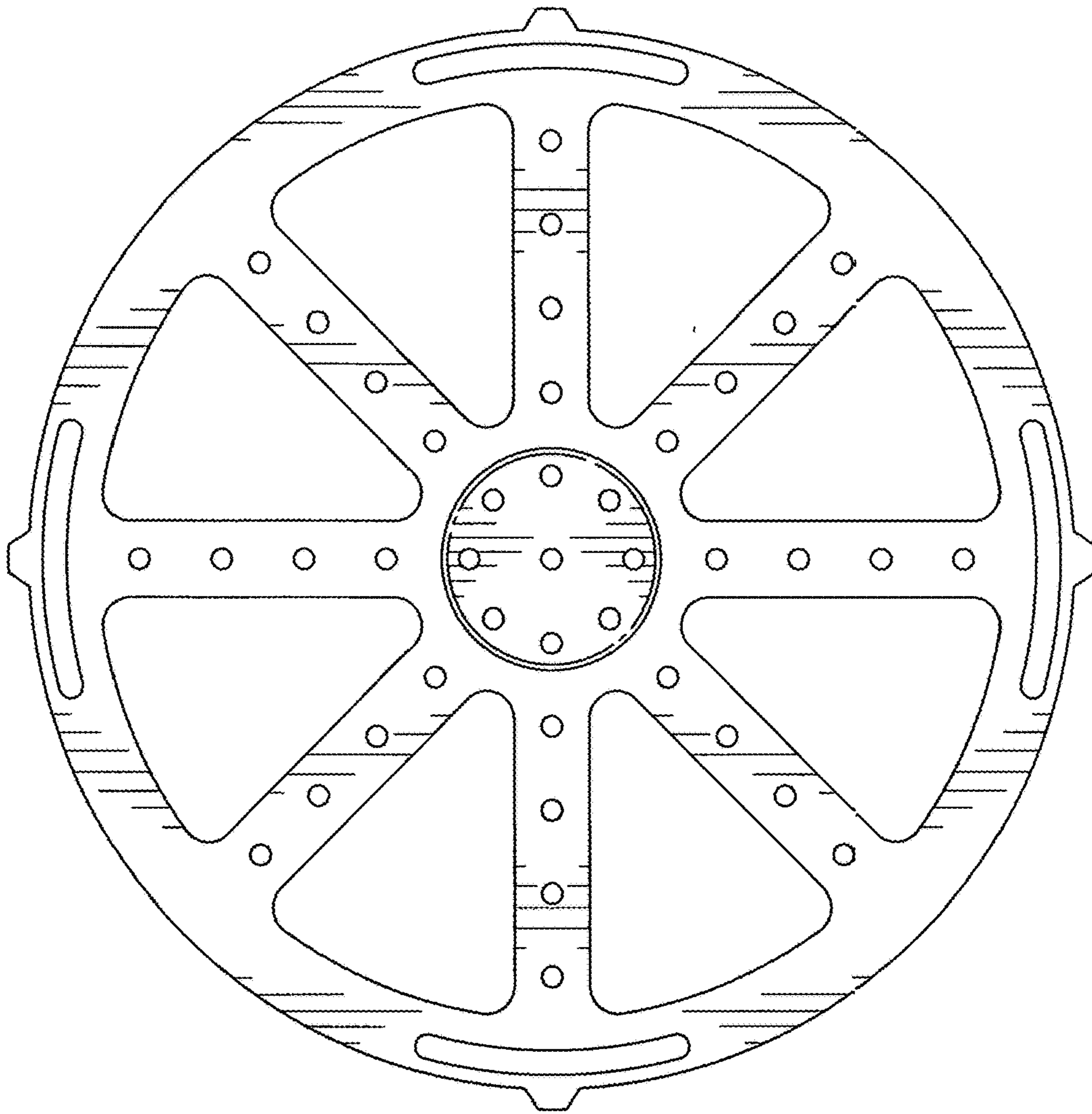


FIG. 3

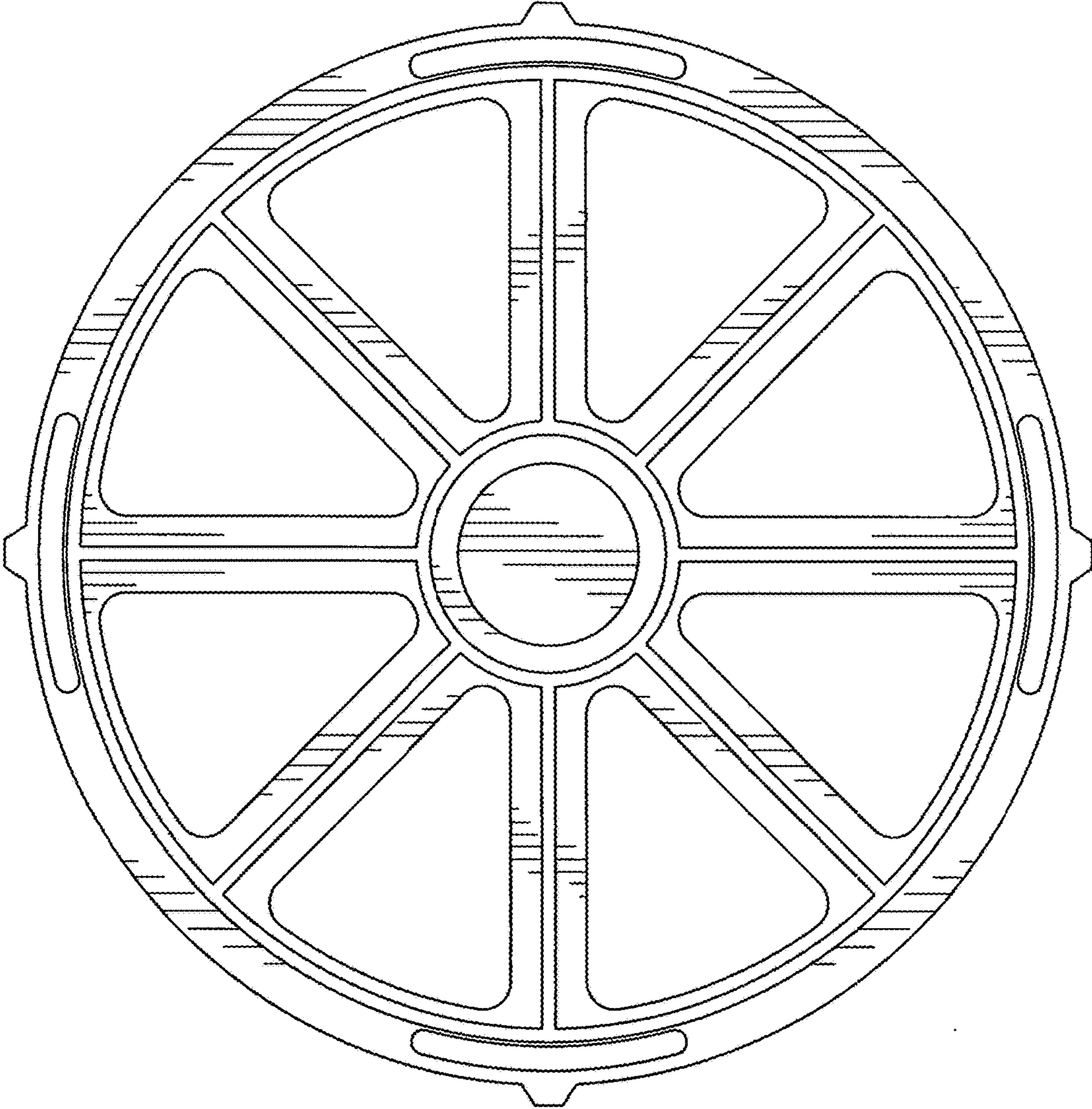


FIG. 4

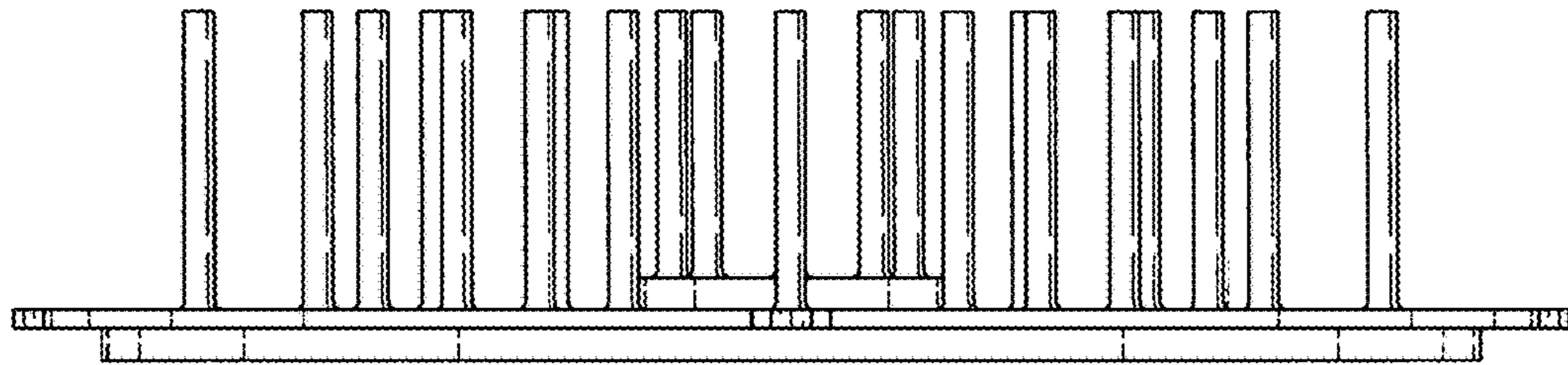


FIG. 5

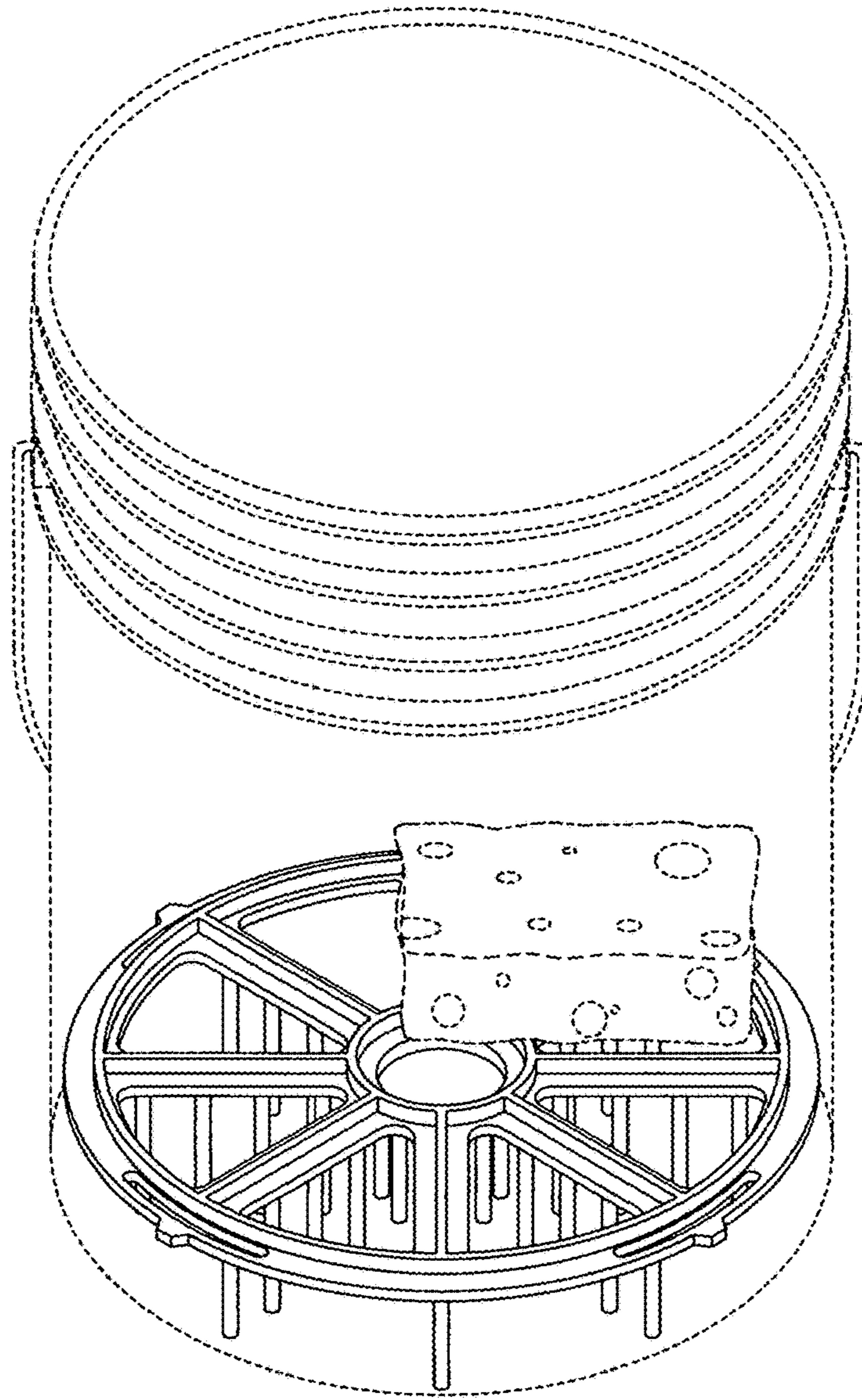


FIG. 6

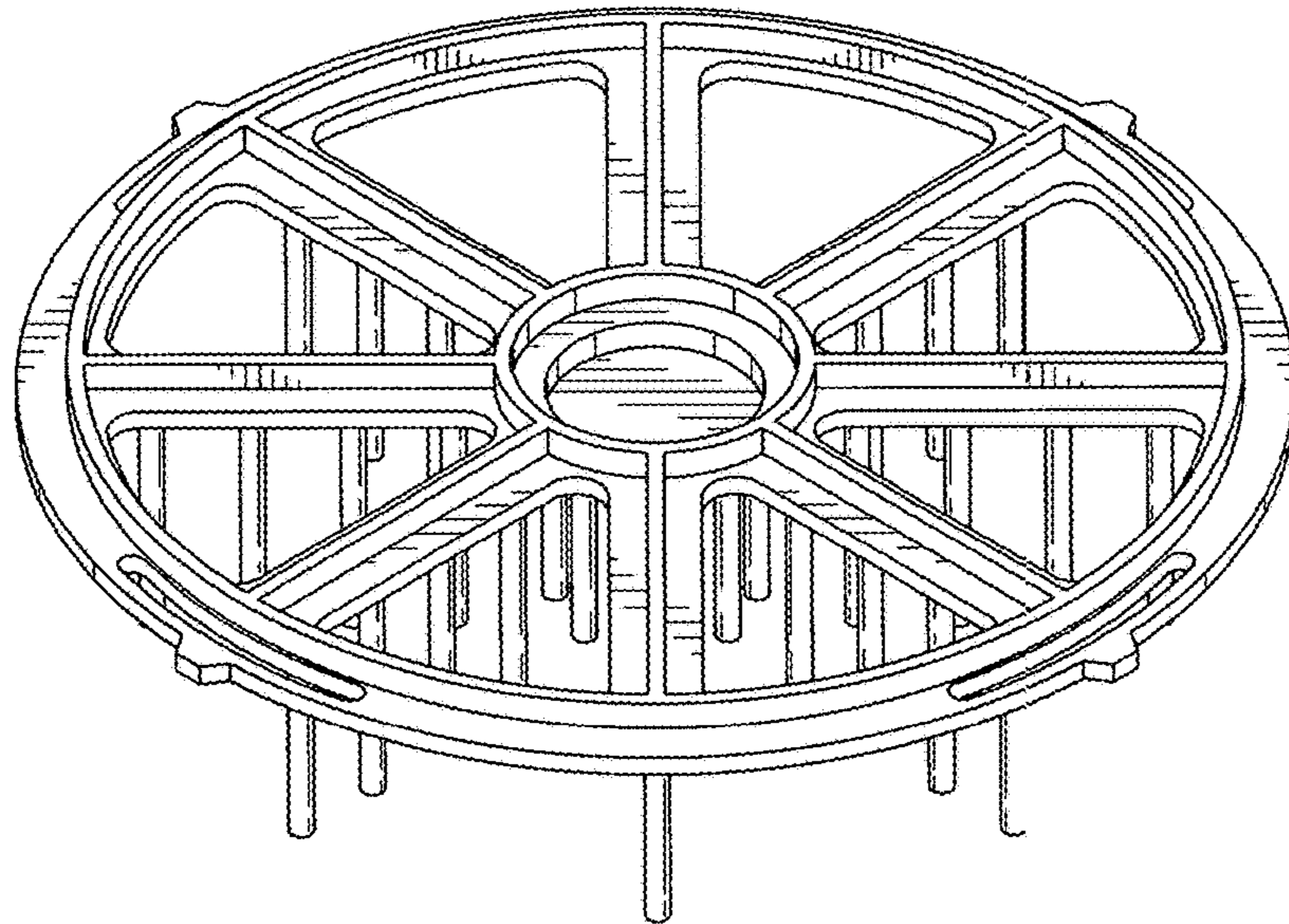


FIG. 7