



US00D848695S

(12) **United States Design Patent**
Tornaben

(10) **Patent No.:** **US D848,695 S**

(45) **Date of Patent:** **** May 14, 2019**

(54) **LIQUID DISPENSING CONTAINER**

(71) Applicant: **Peter J. Tornaben**, Jupiter Island, FL
(US)

(72) Inventor: **Peter J. Tornaben**, Jupiter Island, FL
(US)

(**) Term: **15 Years**

(21) Appl. No.: **29/614,959**

(22) Filed: **Aug. 24, 2017**

(51) **LOC (11) Cl.** **07-05**

(52) **U.S. Cl.**
USPC **D32/42; D9/718**

(58) **Field of Classification Search**
USPC D9/414, 430, 516, 544-546, 559, 574,
D9/575, 715, 718, 719; D32/40-42
CPC . A47L 1/08; A47L 13/11; A47L 13/08; B65D
83/285
See application file for complete search history.

(56) **References Cited**

U.S. PATENT DOCUMENTS

D254,477 S *	3/1980	Mack	D9/718
D263,117 S *	2/1982	Mack	D9/446
5,054,945 A *	10/1991	Iggulden	A47L 1/08
				401/139
D338,297 S *	8/1993	Singarella	D32/42
5,295,609 A *	3/1994	Robbins, III	A47G 19/2266
				215/229
D399,420 S *	10/1998	Holliday	D9/718
D400,788 S *	11/1998	Lin	D9/718
6,315,478 B1 *	11/2001	Atkins	A47L 1/08
				401/139

D496,286 S *	9/2004	Krunas	D9/454
D551,561 S *	9/2007	Bieger	D9/561
D625,064 S *	10/2010	Lee	D32/41
D640,432 S *	6/2011	Jackson	D32/41
D653,960 S *	2/2012	Fox	D9/435
D728,881 S *	5/2015	Gameiro	D32/45
D774,399 S *	12/2016	Borer	D9/561
D805,911 S *	12/2017	Borer	D9/561

* cited by examiner

Primary Examiner — Ian Simmons

Assistant Examiner — Keith Frank

(74) *Attorney, Agent, or Firm* — Robert M. Downey, P.A.

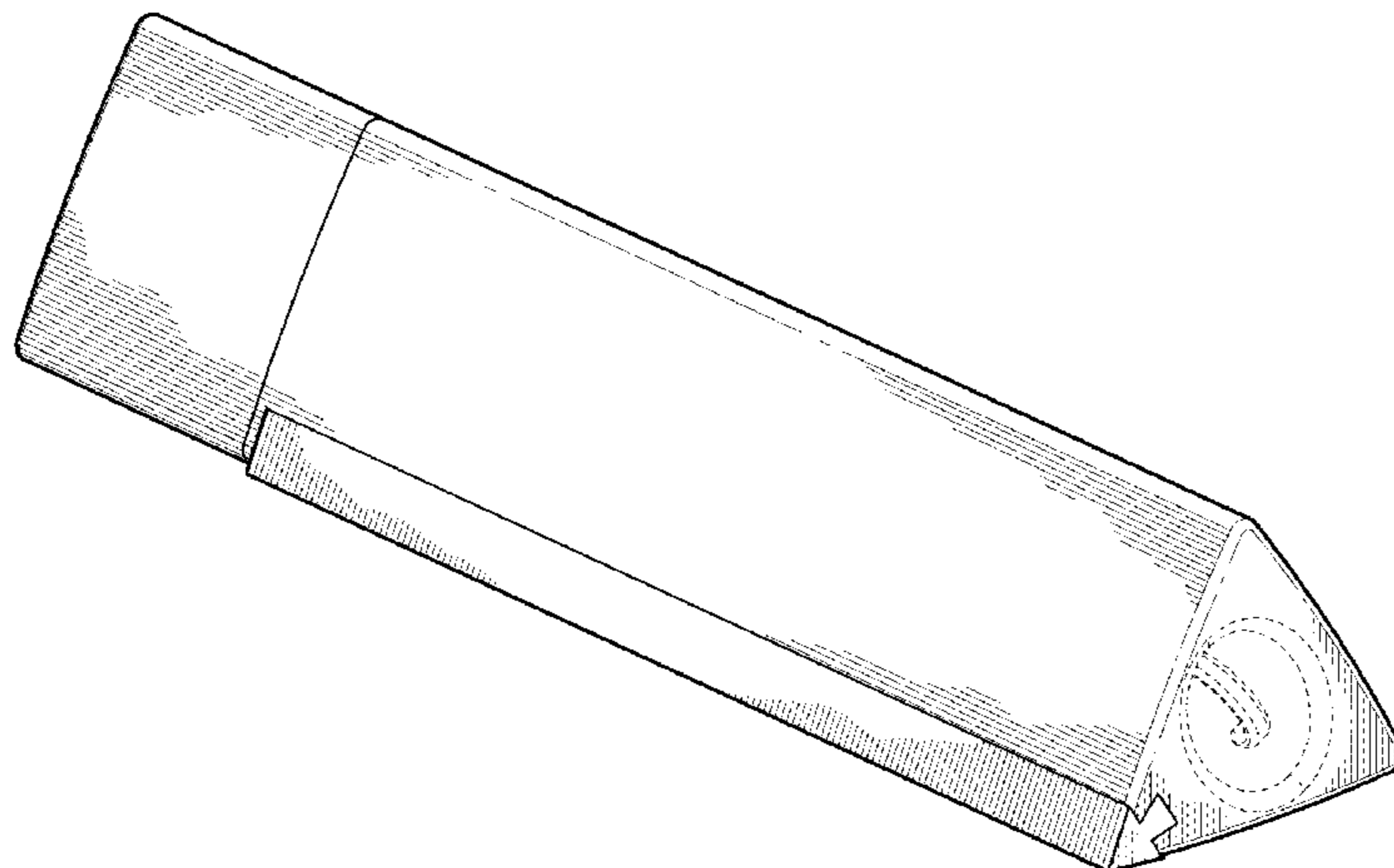
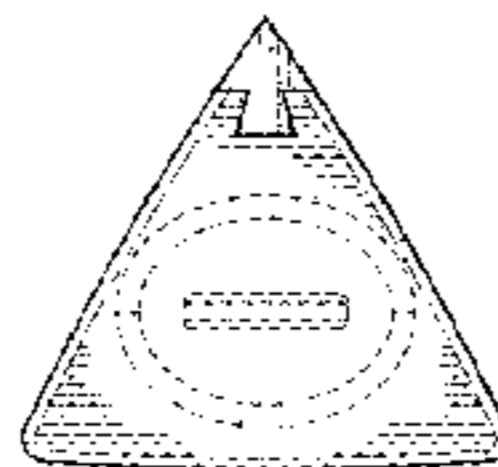
(57) **CLAIM**

The ornamental design for a liquid dispensing container, as shown and described.

DESCRIPTION

FIG. 1 is a front, top perspective view of a liquid dispensing container showing my new design; FIG. 2 is a front elevational view thereof; FIG. 3 is a right side elevational view thereof, the left side elevational view being a mirror image thereof; FIG. 4 is a rear elevational view thereof; FIG. 5 is a top plan view thereof; FIG. 6 is a bottom plan view thereof; and, FIG. 7 is a bottom, side perspective view thereof. The broken lines appearing in FIGS. 6 and 7 showing concentric ovals surrounding a protruding ring on the bottom of the liquid dispensing container form no part of the claimed design.

1 Claim, 6 Drawing Sheets



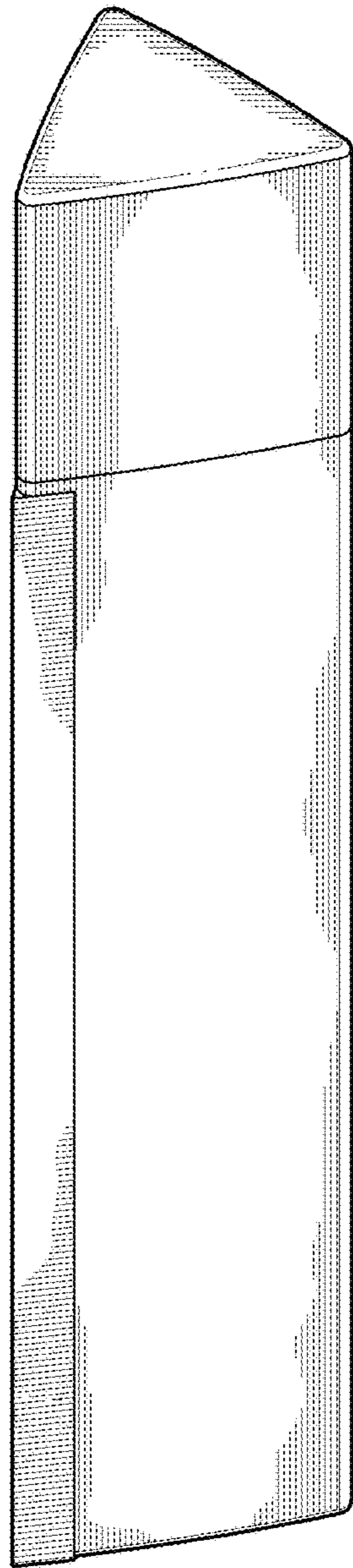


FIG. 1

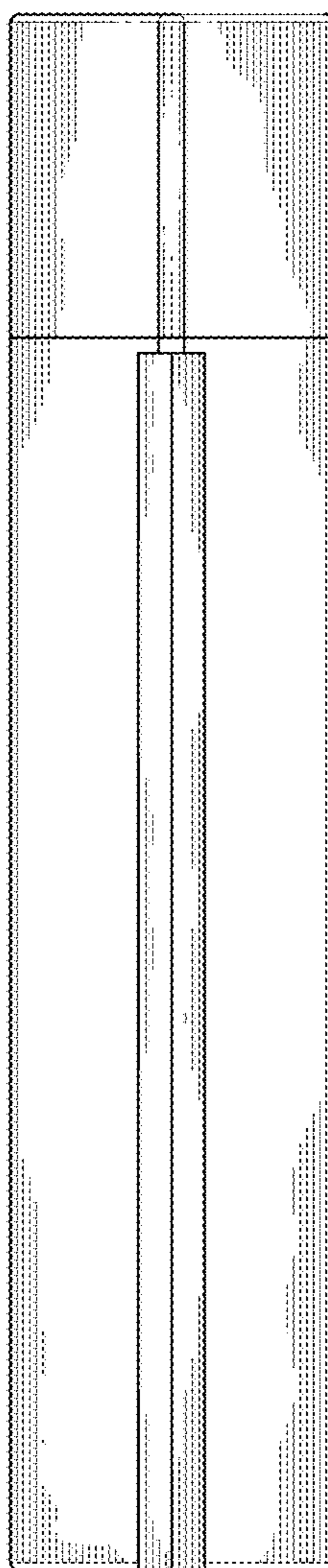


FIG. 2

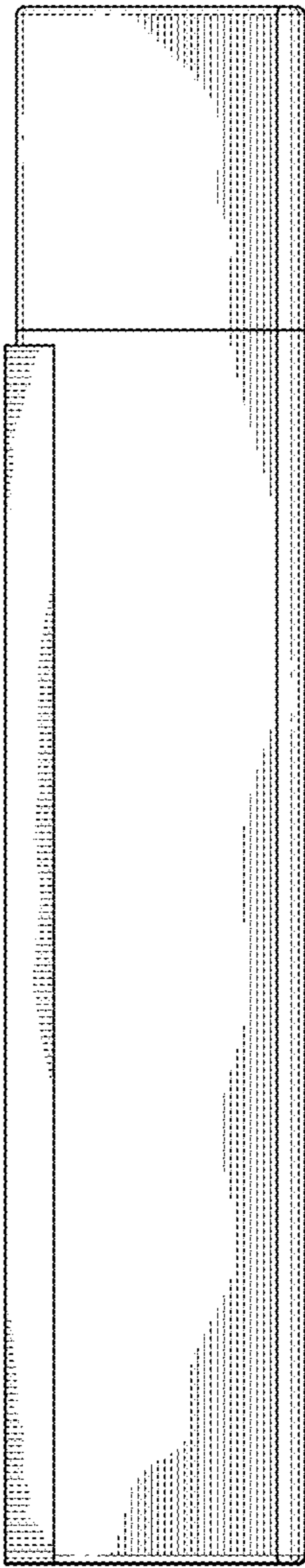


FIG. 3

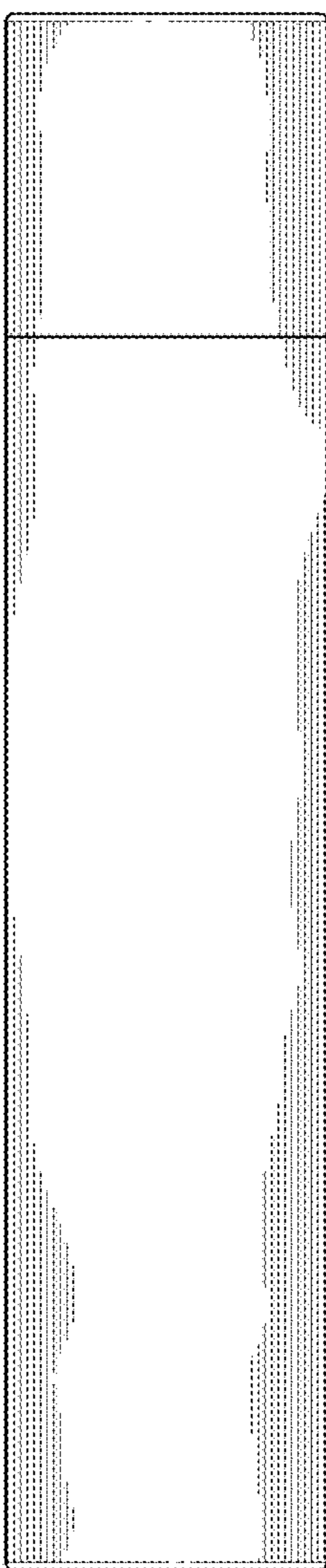


FIG. 4

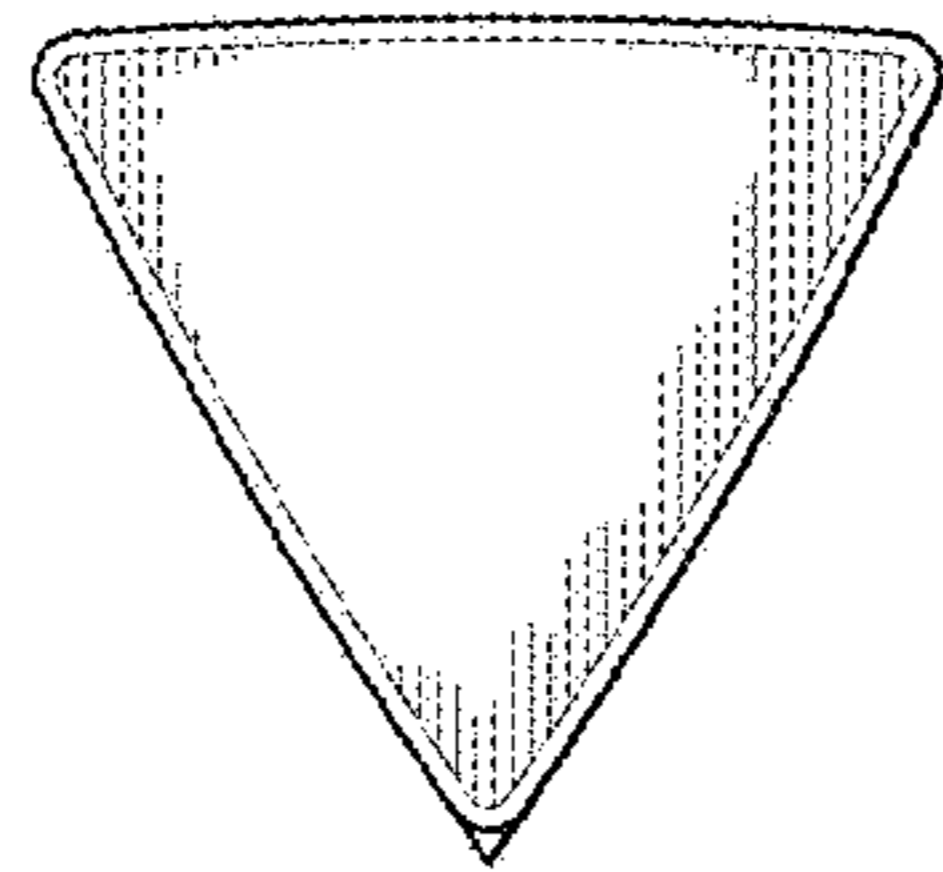


FIG. 5

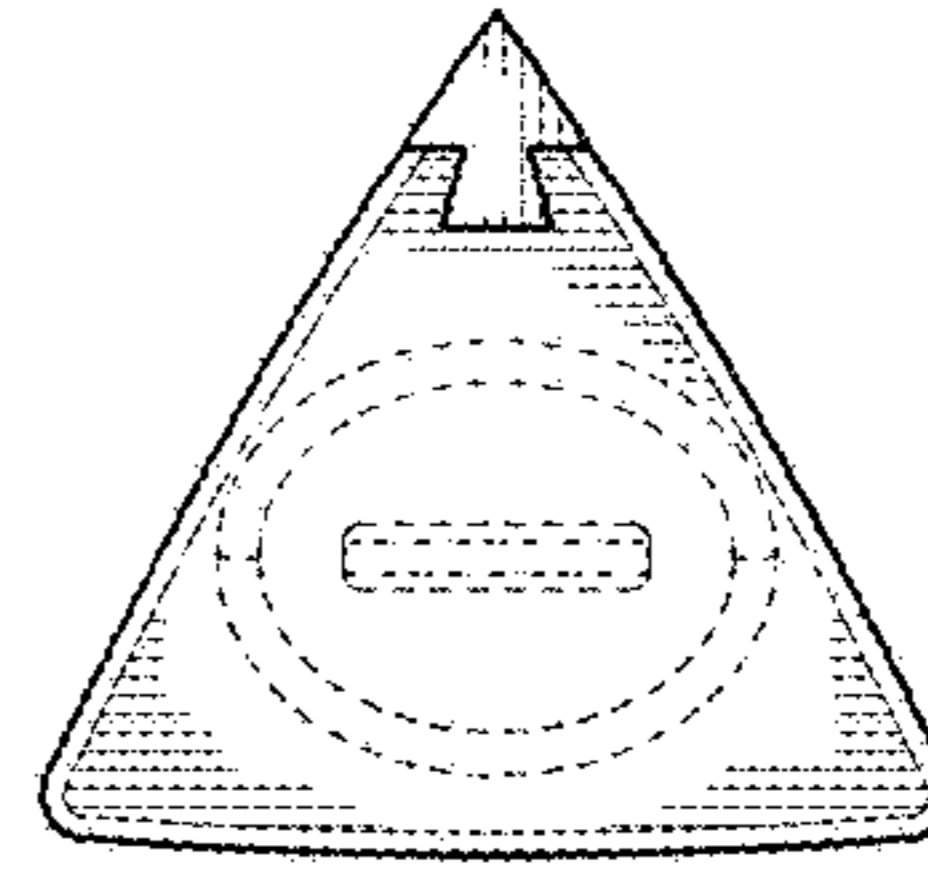


FIG. 6

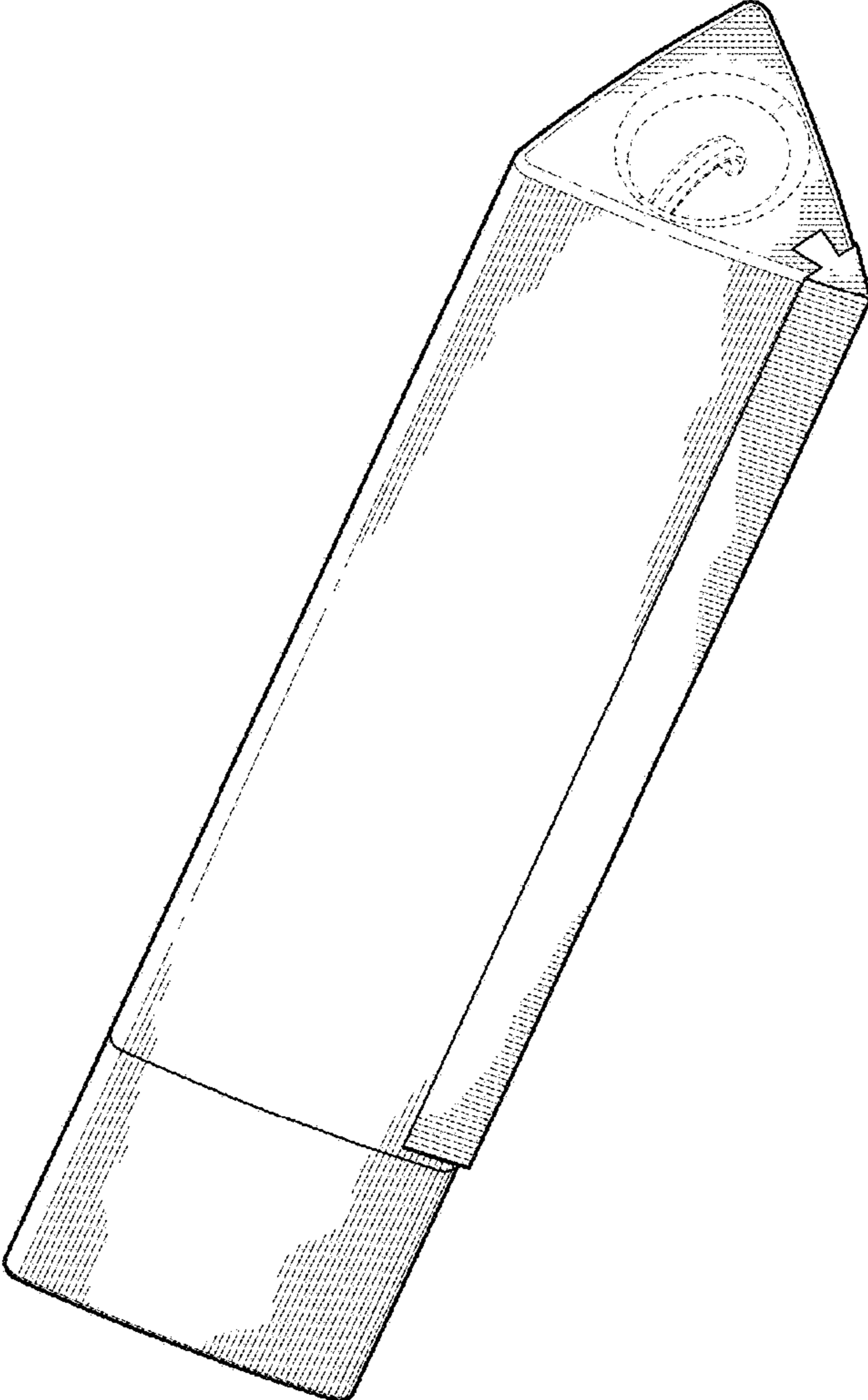


FIG. 7