



US00D848693S

(12) **United States Design Patent** (10) **Patent No.:** **US D848,693 S**
Kim et al. (45) **Date of Patent:** **** May 14, 2019**

(54) **DRAWERTYPE WASHING MACHINE**

(71) Applicant: **LG ELECTRONICS INC.**, Seoul (KR)

(72) Inventors: **Byeongkook Kim**, Seoul (KR); **Myungshik Kim**, Seoul (KR); **Nerry Son**, Seoul (KR); **Yeji Um**, Seoul (KR)

(73) Assignee: **LG ELECTRONICS INC.**, Seoul (KR)

(**) Term: **15 Years**

(21) Appl. No.: **35/504,664**

(22) Filed: **Sep. 20, 2017**

(80) **Hague Agreement Data**

Int. Filing Date: **Sep. 20, 2017**
Int. Reg. No.: **DM/098679**
Int. Reg. Date: **Sep. 20, 2017**
Int. Reg. Pub. Date: **Mar. 23, 2018**

(30) **Foreign Application Priority Data**

Mar. 20, 2017 (KR) 30-2017-0012859

(51) **LOC (11) Cl.** **15-05**

(52) **U.S. Cl.**
USPC **D32/29.1**

(58) **Field of Classification Search**

USPC D32/2, 6-13, 55, 56, 58, 25-31; D6/410, D6/411, 462, 546, 548, 553, 567, 574, D6/566; D23/271, 273, 284, 286, 308
CPC D06F 33/02; D06F 39/14; D06F 37/304; D06F 39/005; D06F 39/12; D06F 37/04; D06F 29/00; D06F 37/203; D06F 37/28; D06F 37/30; D06F 58/02; D06F 2204/065; D06F 2222/00; D06F 29/005; D06F 29/02; D06F 31/00; D06F 33/00; D06F 37/10; D06F 37/12; D06F 37/36; D06F 58/206; D06F 58/22; D06F 58/24; D06F 17/08; D06F 1/04; D06F

2058/2803; D06F 2202/00; D06F 2202/02; D06F 2202/065; D06F 2202/12; D06F 2204/02; D06F 2204/086; D06F 2224/00; D06F 2232/00; D06F 2232/08; D06F 23/04; D06F 35/00; D06F 35/005; D06F 35/006; D06F 35/007; D06F 37/00; D06F 37/02; D06F 37/225;
(Continued)

(56) **References Cited**

U.S. PATENT DOCUMENTS

D767,836 S * 9/2016 Ha D32/25
D773,760 S * 12/2016 Hwang D32/25
(Continued)

Primary Examiner — Khawaja Anwar

(74) *Attorney, Agent, or Firm* — Birch, Stewart, Kolasch & Birch, LLP

(57) **CLAIM**

The ornamental design for a drawer-type washing machine, as shown and described.

DESCRIPTION

1. Drawer-type washing machine

1.1 : Perspective

1.2 : Front

1.3 : Back

1.4 : Left

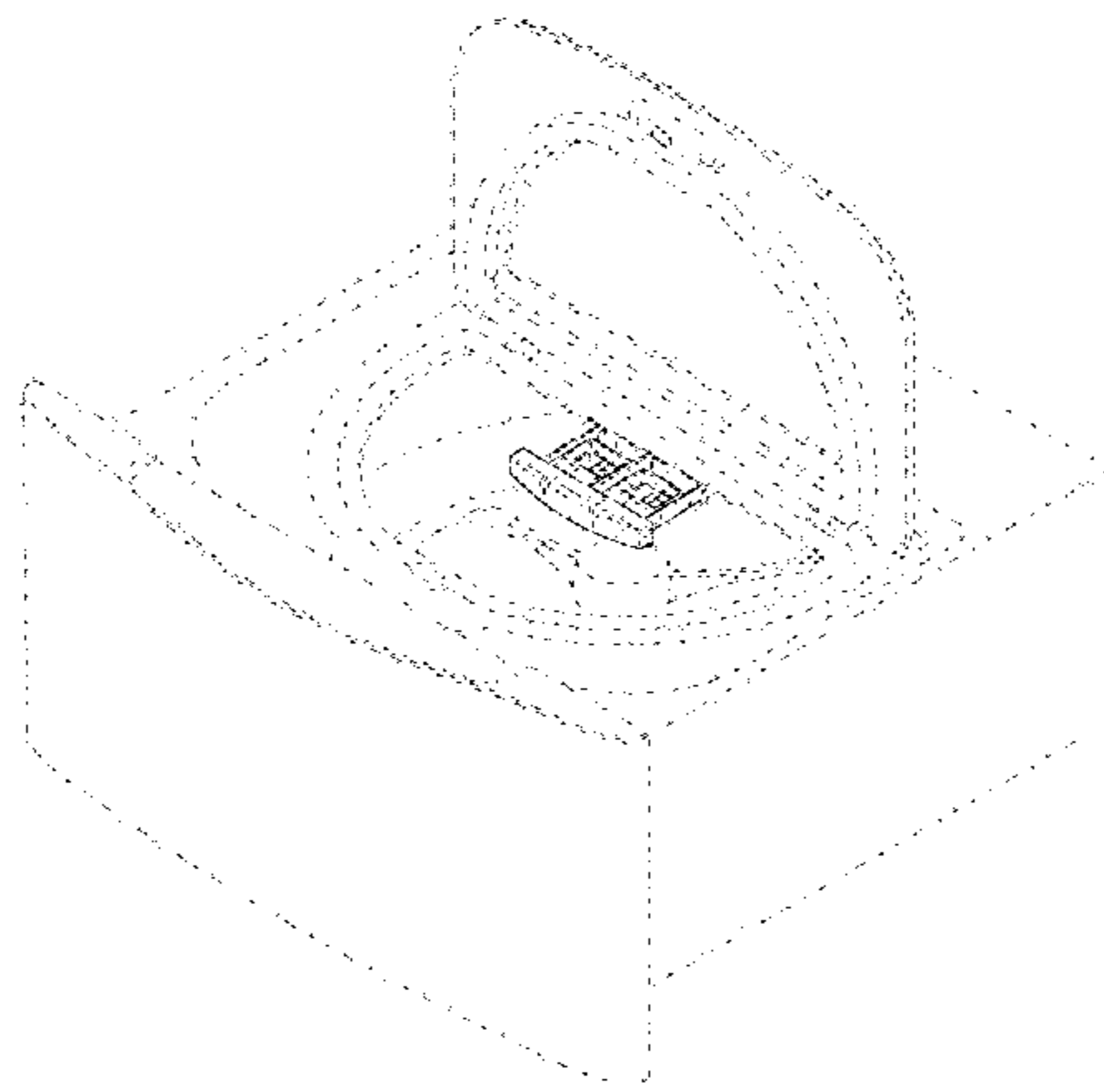
1.5 : Top

1.6 : Bottom

1.7 : Reference view

The broken lines depict portions of the drawer-type washing machine that form no part of the claimed design; reproduction 1.1 is a front perspective view of the drawer-type washing machine; reproduction 1.2 is a front view thereof; reproduction 1.3 is a back view thereof; reproduction 1.4 is left view thereof where the right view is a mirror image; reproduction 1.5 is a top view thereof; reproduction 1.6 is a

(Continued)



bottom view thereof; reproduction 1.7 is a reference view thereof in a condition that the detergent box has been closed.

1 Claim, 7 Drawing Sheets

(58) **Field of Classification Search**

CPC D06F 37/263; D06F 37/266; D06F 37/268;
D06F 37/40; D06F 37/42; D06F 39/003;
D06F 39/004; D06F 39/007; D06F 39/08;
D06F 39/088; D06F 39/125; D06F
58/203; D06F 58/28; D06F 81/06

See application file for complete search history.

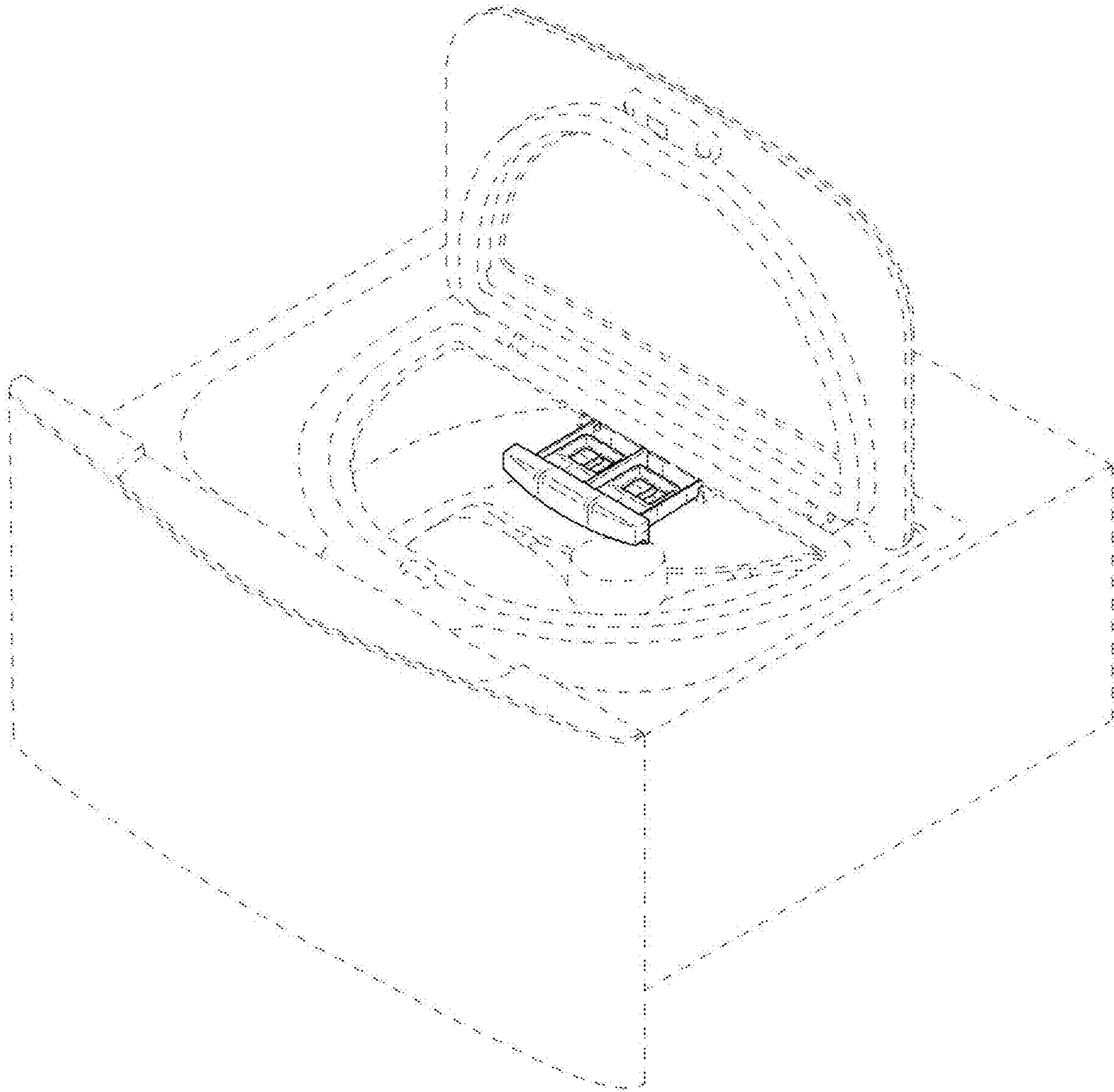
(56) **References Cited**

U.S. PATENT DOCUMENTS

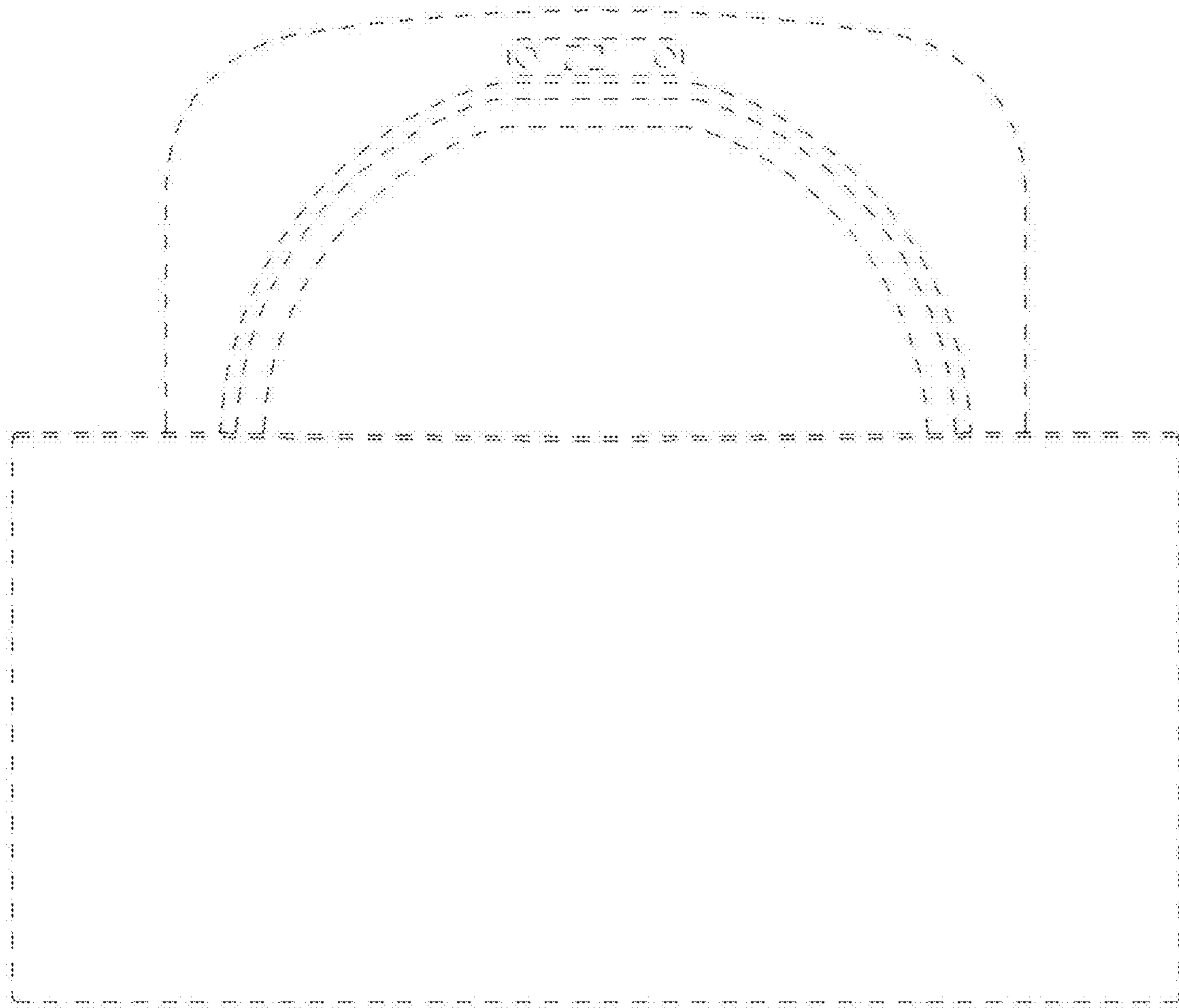
D785,880	S	*	5/2017	Hwang	D32/25
D787,764	S	*	5/2017	Kim	D32/29.1
D788,391	S	*	5/2017	Kim	D32/29.1
D809,724	S	*	2/2018	Yoon	D32/29.1
D811,029	S	*	2/2018	Yoon	D32/29.1
D824,617	S	*	7/2018	Yoon	D32/29.1
D825,872	S	*	8/2018	Ko	D32/29.1
D830,021	S	*	10/2018	Joo	D32/29.1
D831,285	S	*	10/2018	Kim	D32/29.1
2016/0177492	A1	*	6/2016	Pittalis	D06F 39/087 68/9

* cited by examiner

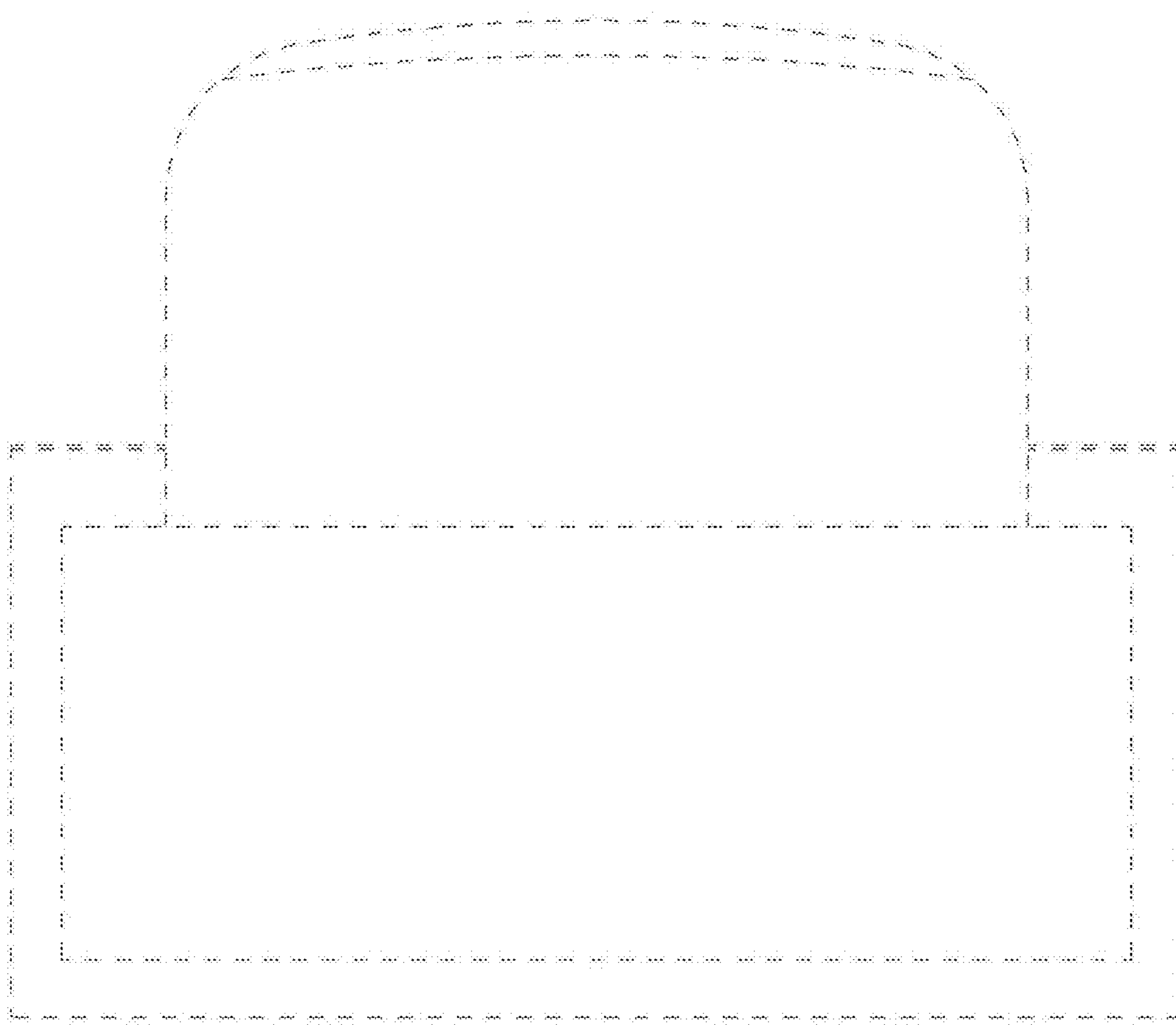
1.1



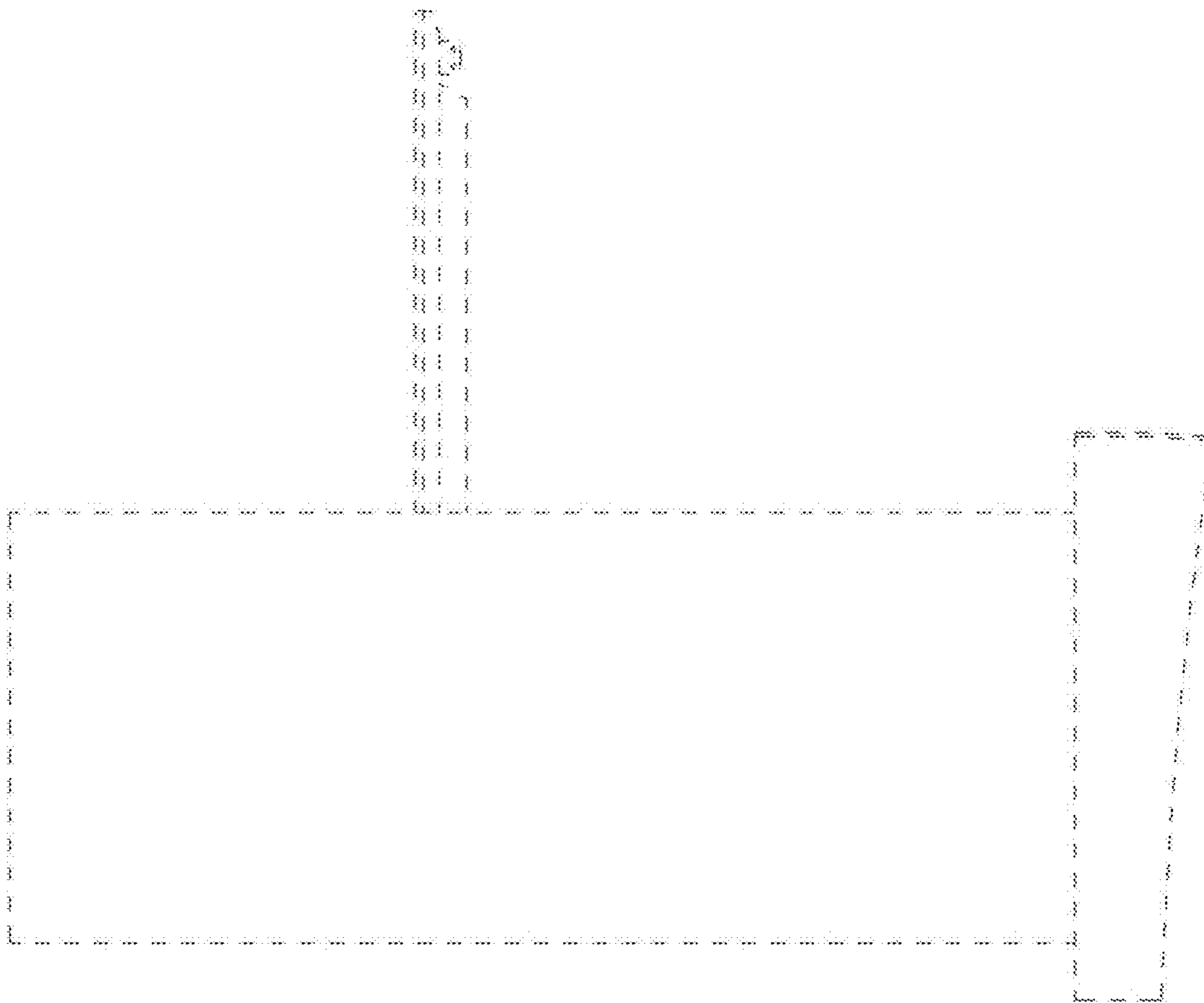
1.2



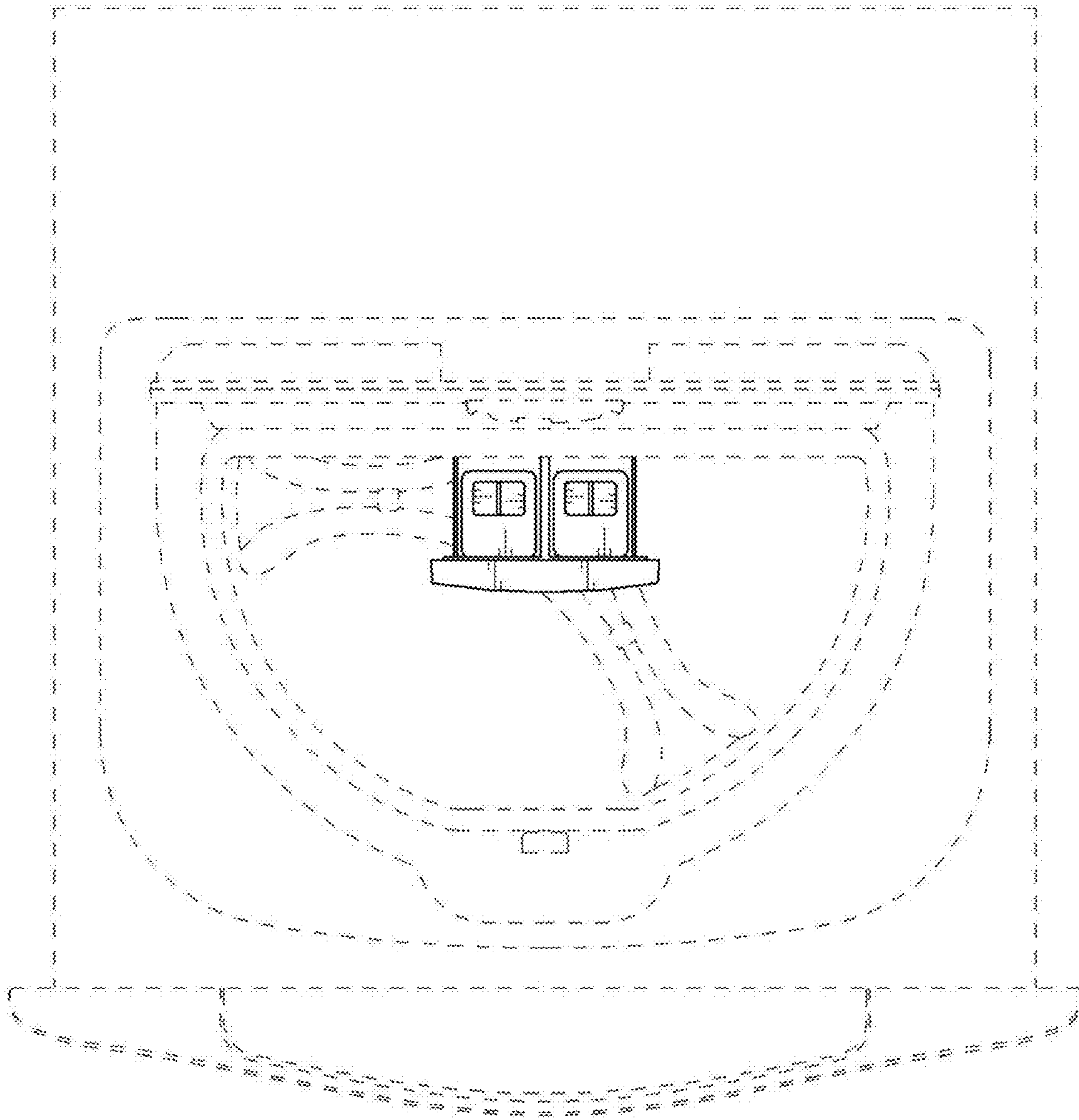
1.3



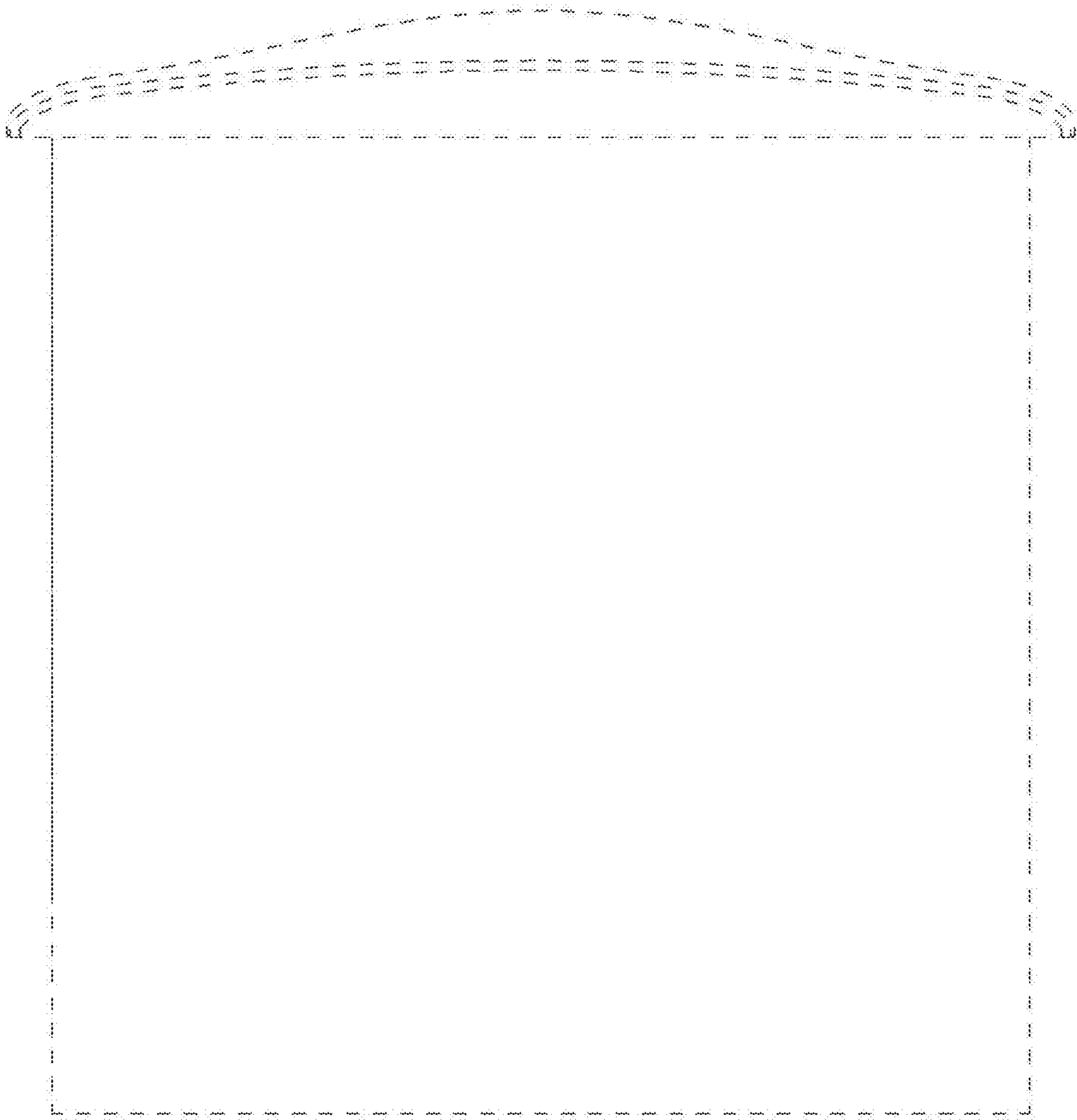
1.4



1.5



1.6



1.7

