

US00D848692S

(12) **United States Design Patent**
Salazar et al.

(10) **Patent No.:** **US D848,692 S**
(45) **Date of Patent:** **** May 14, 2019**

- (54) **BULK DISPENSING DRAWER**
- (71) Applicant: **WHIRLPOOL CORPORATION**,
Benton Harbor, MI (US)
- (72) Inventors: **Joel Aldebaran Salazar**, Monterrey
(MX); **Anna C. Schelling**, Stevensville,
MI (US); **Ndjeka K. Luhahi**, Grand
Rapids, MI (US); **Juraj Nestorik**,
Kamienka (SK)
- (73) Assignee: **Whirlpool Corporation**, Benton
Harbor, MI (US)
- (**) Term: **15 Years**
- (21) Appl. No.: **29/630,497**
- (22) Filed: **Dec. 21, 2017**
- (51) **LOC (11) Cl.** **15-05**
- (52) **U.S. Cl.**
USPC **D32/25; D32/28**
- (58) **Field of Classification Search**
USPC 222/129, 361, 416; 134/34, 99.2;
68/5 R, 12.18, 12.19, 17 R, 235 R;
D32/2, 28, 29.1
CPC D06F 39/022; D06F 39/02; D06F 29/00;
D06F 39/028; D06F 58/10; D06F 39/125;
D06F 29/005; G01F 11/18; Y10T
137/0424
See application file for complete search history.

- 5,628,430 A 5/1997 Barbe
 - 5,782,109 A 7/1998 Spriggs
 - 6,109,480 A 8/2000 Monsrud
 - 6,401,499 B1 6/2002 Clark
 - 7,707,858 B2 5/2010 Jeon
 - 7,777,502 B2 8/2010 Grosser
 - 7,805,964 B2 * 10/2010 Park D06F 39/02
68/12.18
 - 7,843,200 B2 11/2010 Klopfer
 - 8,056,374 B2 11/2011 Hoppe
- (Continued)

FOREIGN PATENT DOCUMENTS

- AU 2008202222 AA 12/2008
 - BR 202013015525 U2 8/2015
- (Continued)

Primary Examiner — Cynthia Ramirez
Assistant Examiner — Laura H Yu
(74) *Attorney, Agent, or Firm* — McGarry Bair PC

(57) **CLAIM**

The ornamental design for a bulk dispensing drawer, as shown and described.

DESCRIPTION

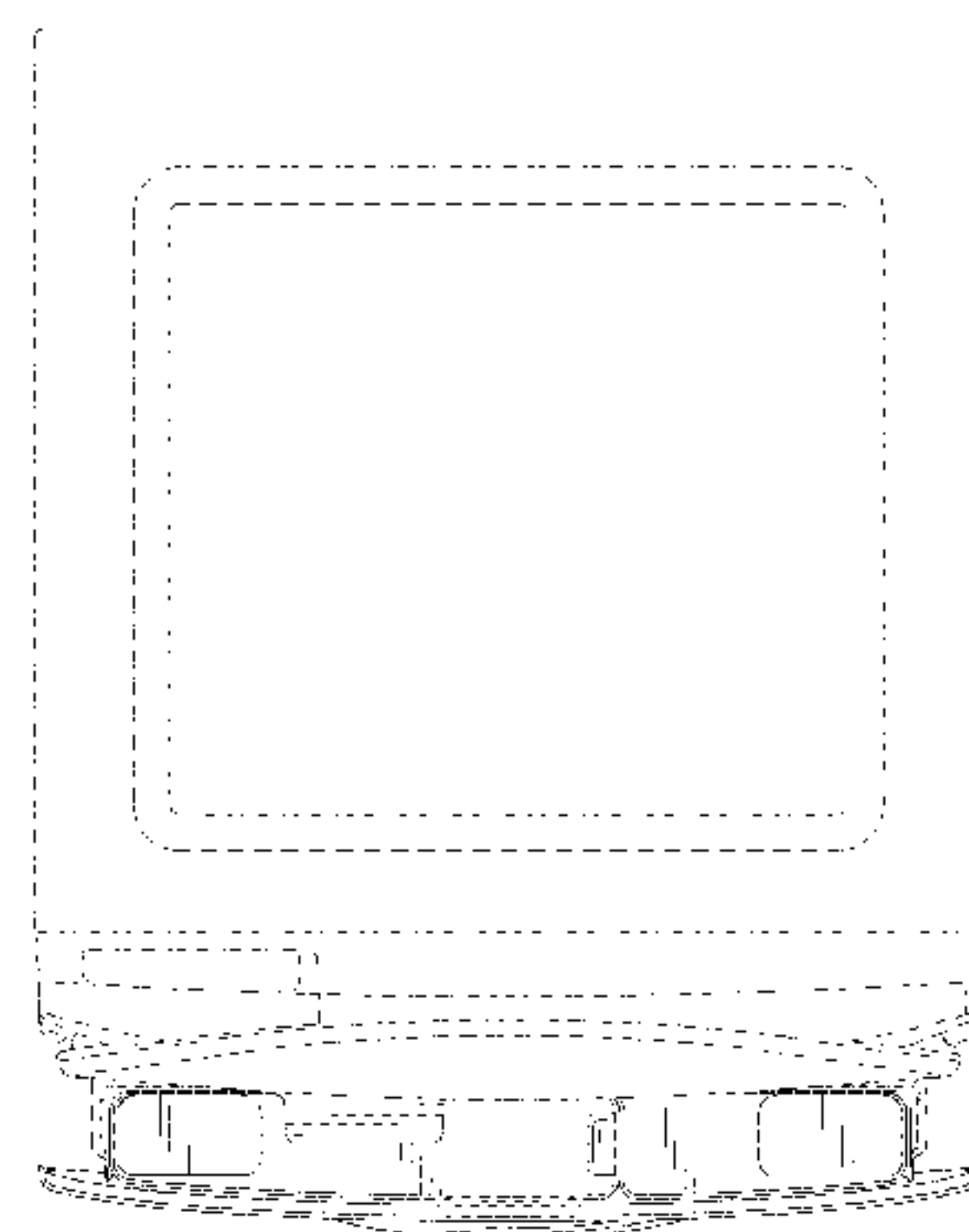
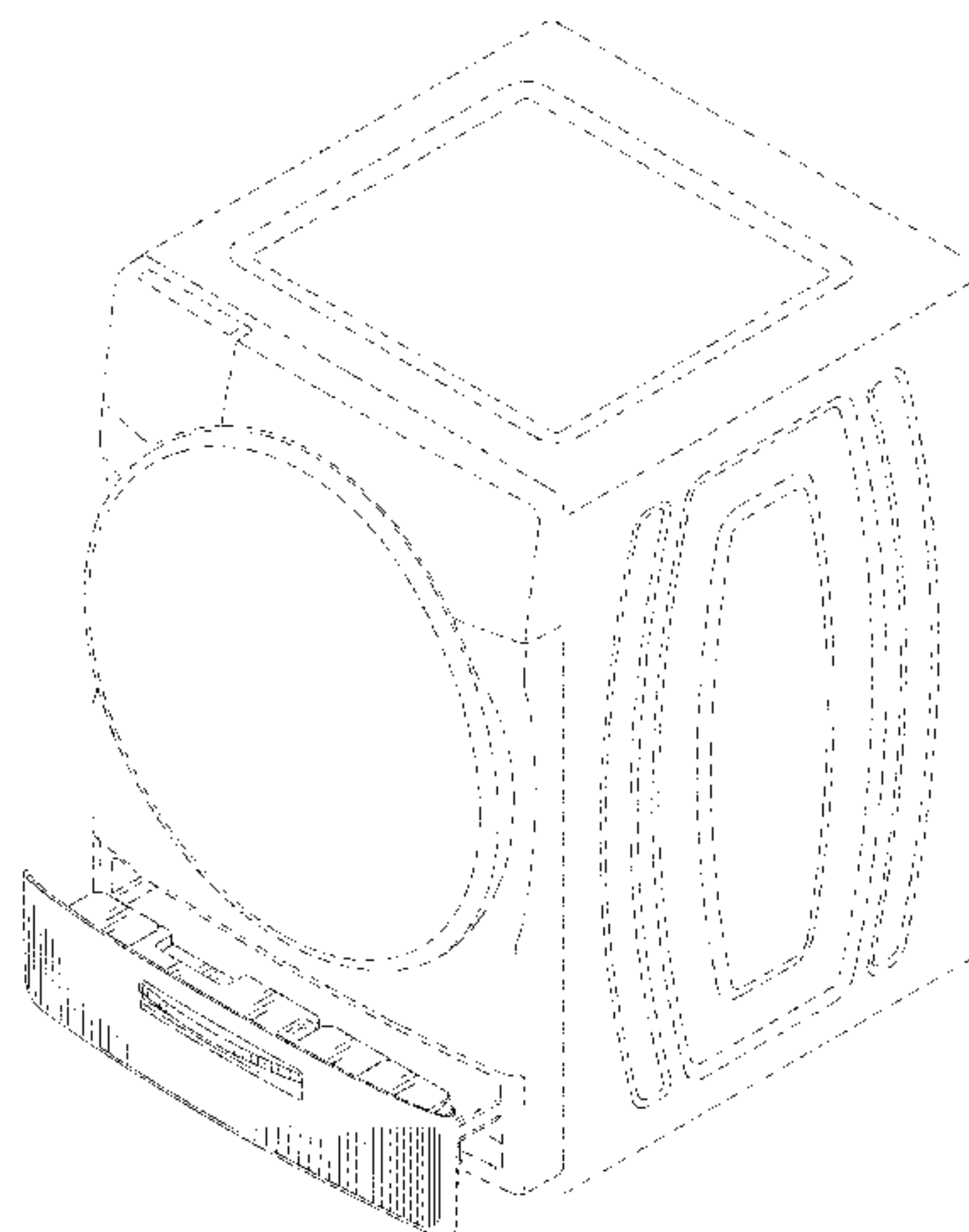
FIG. 1 is a top perspective view of a bulk dispensing drawer showing our new design;
FIG. 2 is a front view of the bulk dispensing drawer of FIG. 1;
FIG. 3 is a top view of the bulk dispensing drawer of FIG. 1;
FIG. 4 is a left side view of the bulk dispensing drawer of FIG. 1; and,
FIG. 5 is a right side view of the bulk dispensing drawer of FIG. 1.
Portions of the bulk dispensing drawer shown in broken lines form no part of the claimed design. The broken lines illustrating a washing machine are to show environment and form no part of the claimed design.

1 Claim, 5 Drawing Sheets

(56) **References Cited**

U.S. PATENT DOCUMENTS

- 3,091,954 A 6/1963 Billings
- 3,699,785 A 10/1972 Waugh
- 3,757,543 A 9/1973 Braga
- 4,085,870 A * 4/1978 Von Holdt G01F 11/18
222/361
- 4,417,457 A 11/1983 Brenner
- 5,473,914 A 12/1995 Pyo



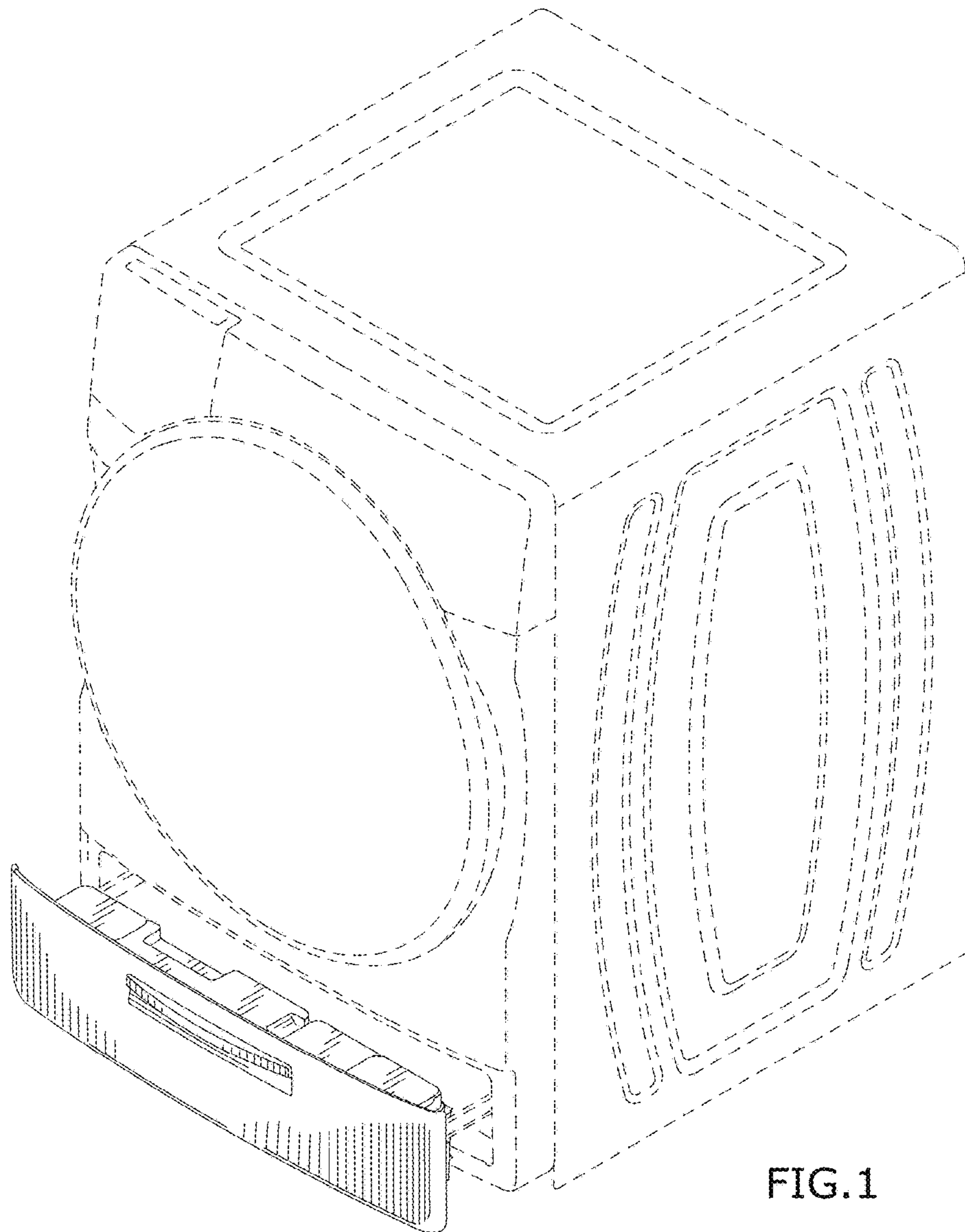


FIG. 1

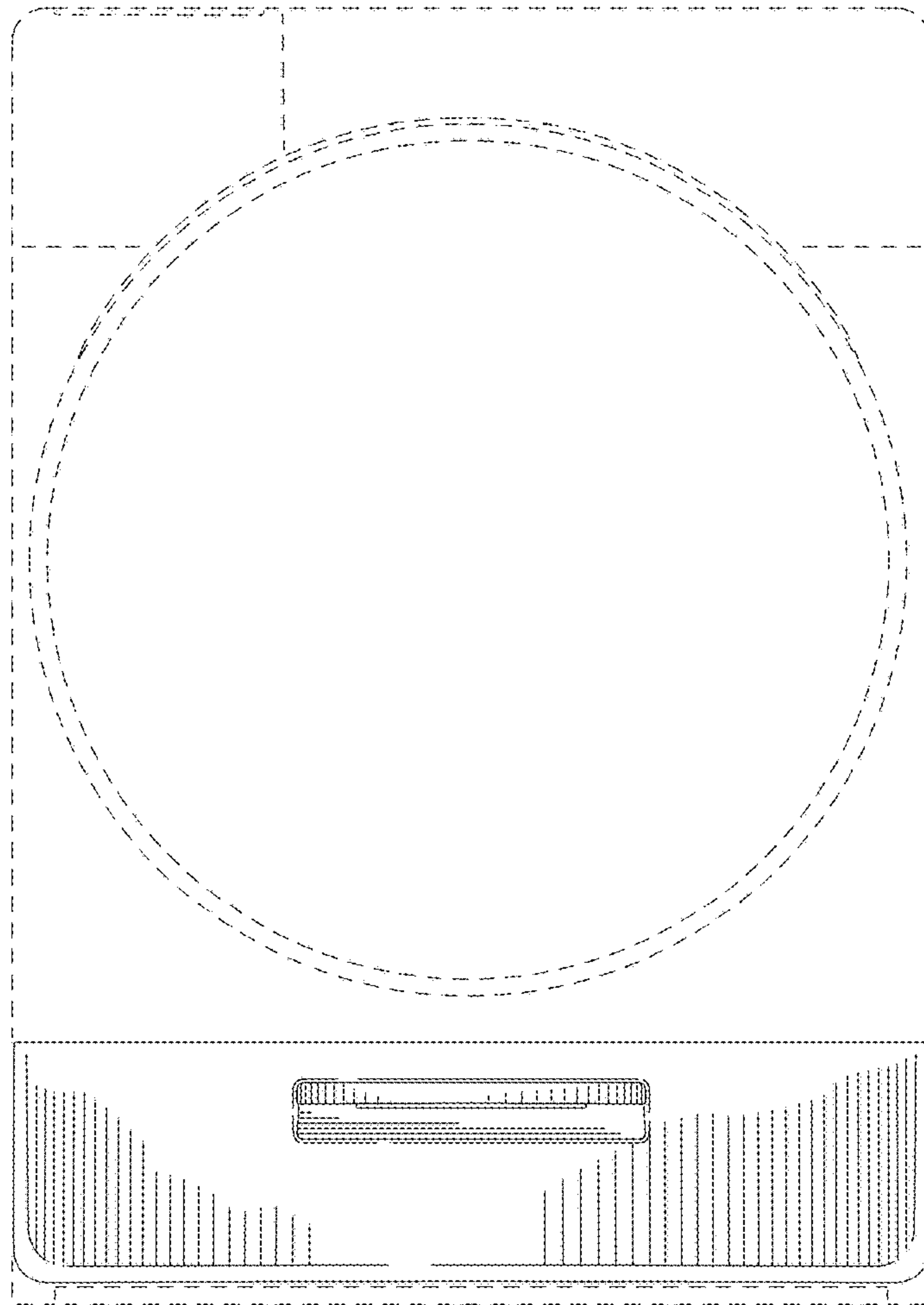


FIG. 2

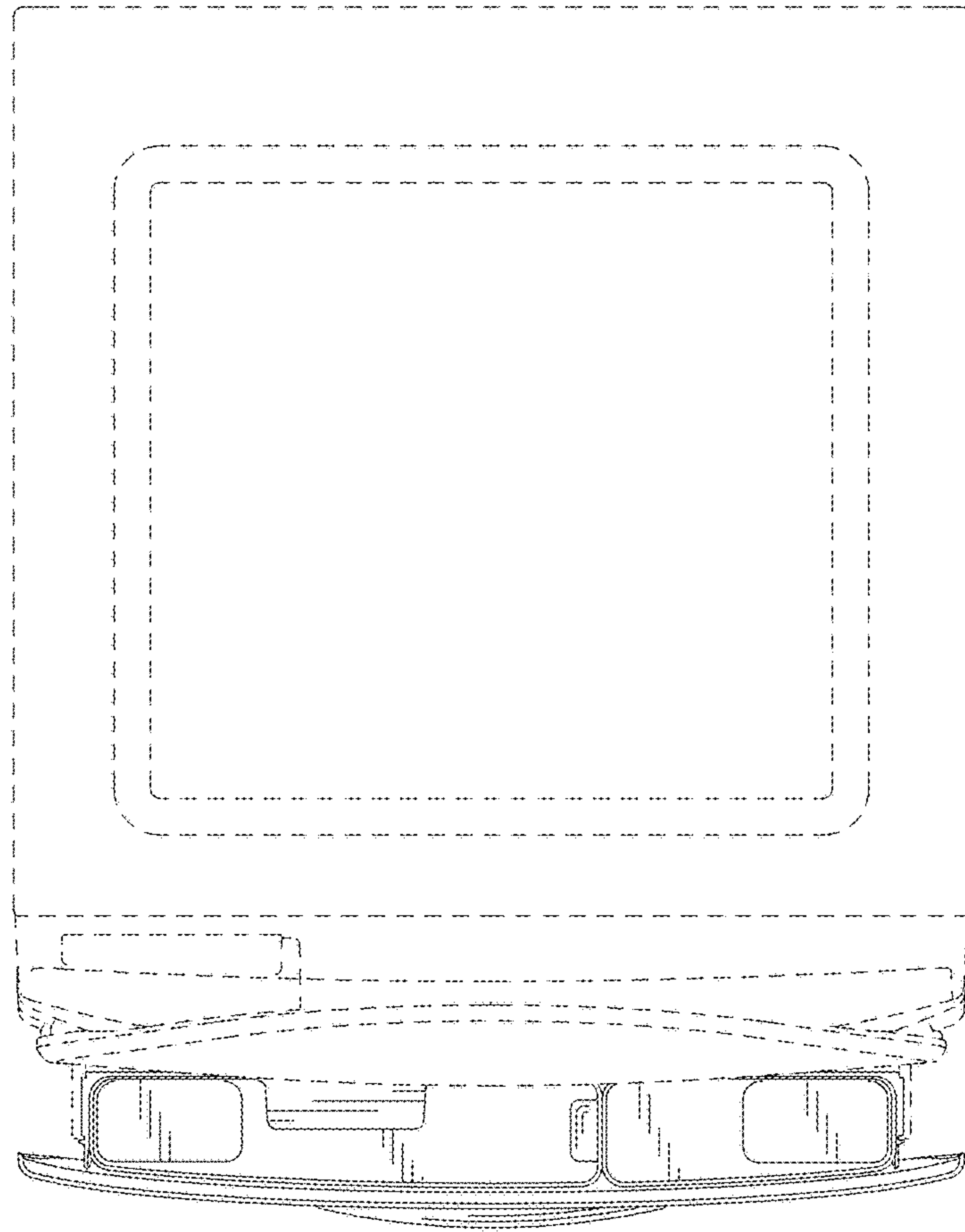


FIG. 3

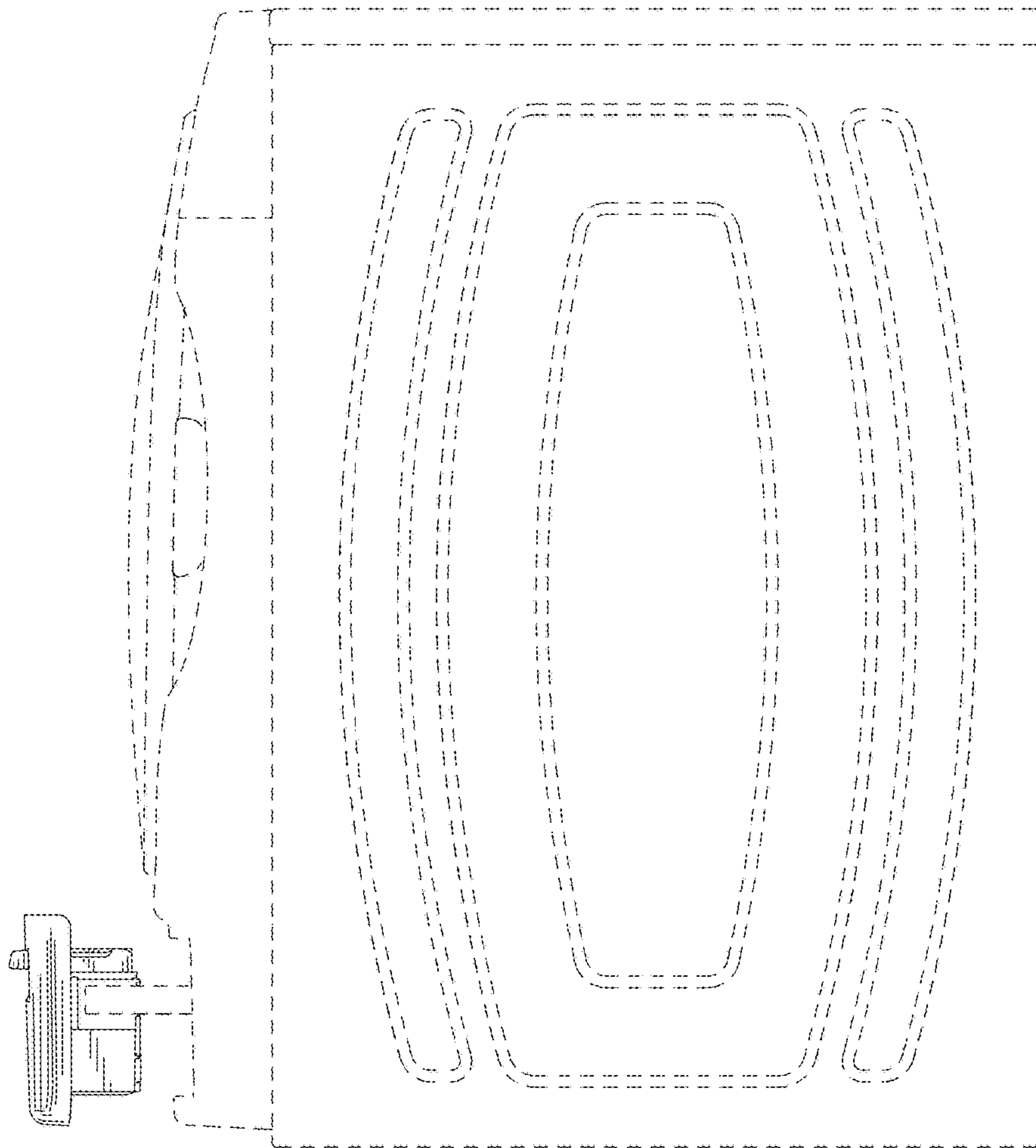


FIG. 4

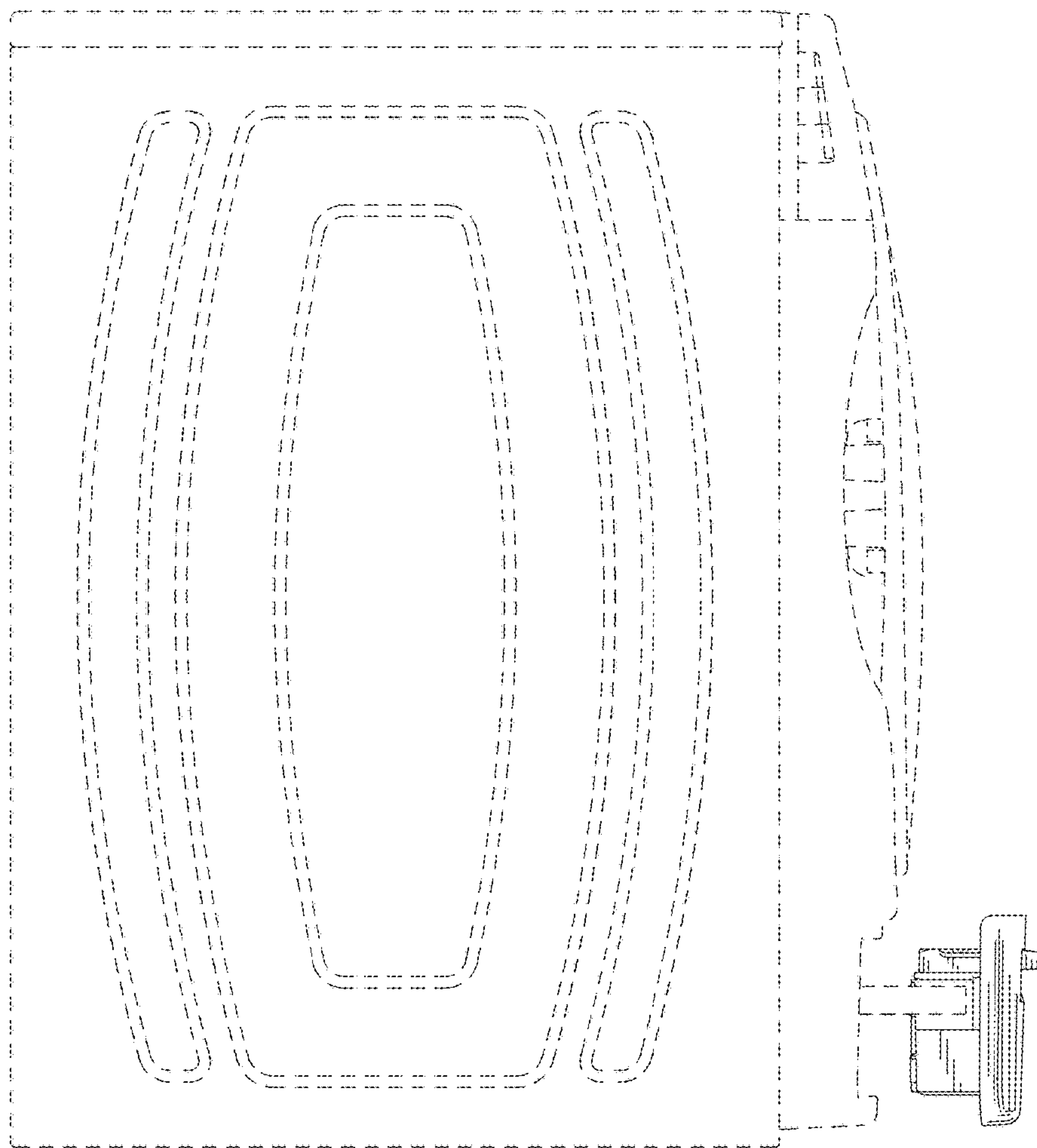


FIG. 5