



US00D848689S

(12) **United States Design Patent**
Gammack et al.

(10) **Patent No.:** **US D848,689 S**

(45) **Date of Patent:** **** May 14, 2019**

- (54) **VACUUM CLEANER**
- (71) Applicant: **Dyson Technology Limited**, Wiltshire (GB)
- (72) Inventors: **Peter David Gammack**, Gloucester (GB); **Stephen Robert Dimbylow**, Swindon (GB); **Robert Hinchliffe**, Bristol (GB); **Alexander Patrick Webster**, Bristol (GB); **Charles Franklin Gale**, Bristol (GB)
- (73) Assignee: **Dyson Technology Limited**, Malmesbury, Wiltshire (GB)
- (**) Term: **15 Years**
- (21) Appl. No.: **29/617,711**
- (22) Filed: **Sep. 15, 2017**
- (30) **Foreign Application Priority Data**

Mar. 16, 2017 (GB) 6009160

- (51) **LOC (11) Cl.** **15-05**
- (52) **U.S. Cl.**
USPC **D32/22**

- (58) **Field of Classification Search**
USPC D32/17-18, 22, 31, 34
CPC A47L 5/24; A47L 5/26; A47L 5/28; A47L 9/322; A47L 9/325; A47L 9/327; A47L 11/4075
See application file for complete search history.

- (56) **References Cited**
U.S. PATENT DOCUMENTS

| | | | |
|--------------|---------|-----------------|--------|
| D668,010 S | 9/2012 | Stickney et al. | |
| D668,823 S * | 10/2012 | Stickney | D32/18 |
| D703,889 S * | 4/2014 | Shin | D32/18 |
| D731,130 S * | 6/2015 | Dyson | D32/18 |
| D731,133 S * | 6/2015 | Dyson | D32/31 |

| | | | |
|-------------------|---------|------------|---------------------|
| D731,724 S * | 6/2015 | Cheon | D32/22 |
| D738,584 S | 9/2015 | Niedzwecki | |
| D770,111 S * | 10/2016 | Lee | D32/34 |
| D775,772 S * | 1/2017 | Lee | D32/31 |
| D798,009 S * | 9/2017 | Salagnac | D32/18 |
| D799,767 S * | 10/2017 | Palladino | D32/22 |
| D804,753 S * | 12/2017 | Kim | D32/31 |
| D814,723 S * | 4/2018 | Palladino | D32/31 |
| D819,282 S * | 5/2018 | Kim | D32/22 |
| D824,616 S * | 7/2018 | Ward | D32/22 |
| 2011/0219571 A1 * | 9/2011 | Dyson | A47L 5/24 15/344 |
| 2014/0366286 A1 * | 12/2014 | Zheng | A47L 9/2831 15/3 |

(Continued)

FOREIGN PATENT DOCUMENTS

| | | |
|----|-----------|--------|
| CN | 302917438 | 8/2014 |
| CN | 303151547 | 4/2015 |

(Continued)

Primary Examiner — Ruth McInroy

(74) *Attorney, Agent, or Firm* — Morrison & Foerster LLP

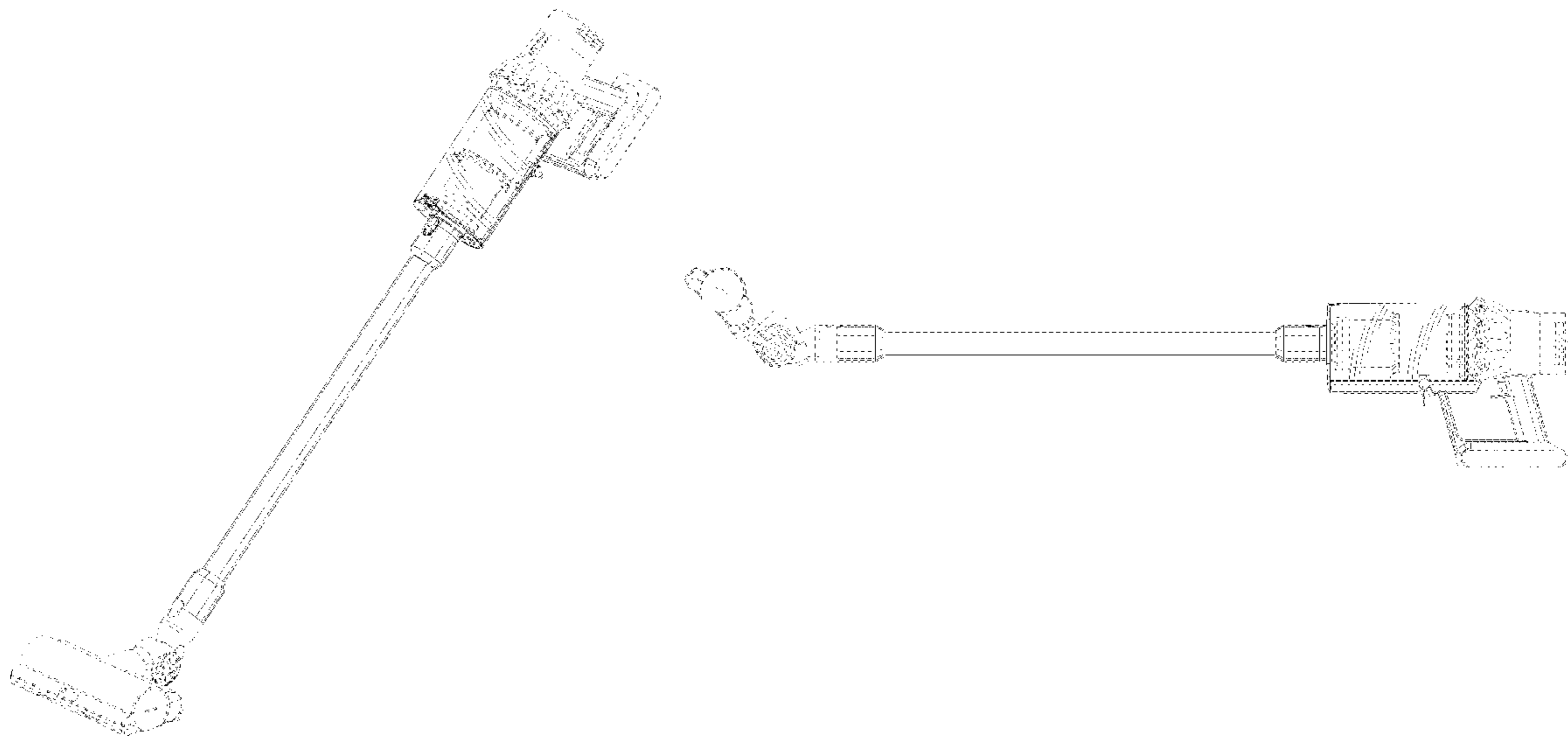
(57) **CLAIM**

We claim the ornamental design for a vacuum cleaner, as shown and described.

DESCRIPTION

FIG. 1 is a perspective view of a vacuum cleaner showing our new design;
 FIG. 2 is a side view thereof;
 FIG. 3 is a side view of the opposite side of FIG. 2;
 FIG. 4 is a front view thereof;
 FIG. 5 is a rear view thereof;
 FIG. 6 is a top view thereof; and,
 FIG. 7 is a bottom view thereof.
 The broken lines shown in the drawings illustrate portions of a vacuum cleaner that form no part of the claimed design.

1 Claim, 7 Drawing Sheets



(56)

References Cited

U.S. PATENT DOCUMENTS

2015/0230677 A1* 8/2015 Andrikanish A47L 9/102
15/353
2016/0174789 A1* 6/2016 Han A47L 5/24
15/327.1

FOREIGN PATENT DOCUMENTS

| | | |
|----|----------------|---------|
| CN | 303863321 | 9/2016 |
| CN | 303863324 | 9/2016 |
| EM | 001361141-0001 | 12/2013 |
| EM | 001361141-0003 | 12/2013 |
| EM | 001361141-0004 | 12/2013 |
| EM | 003304583-0001 | 9/2016 |
| JP | D1543039 | 2/2016 |
| TW | D180331 | 12/2016 |

* cited by examiner

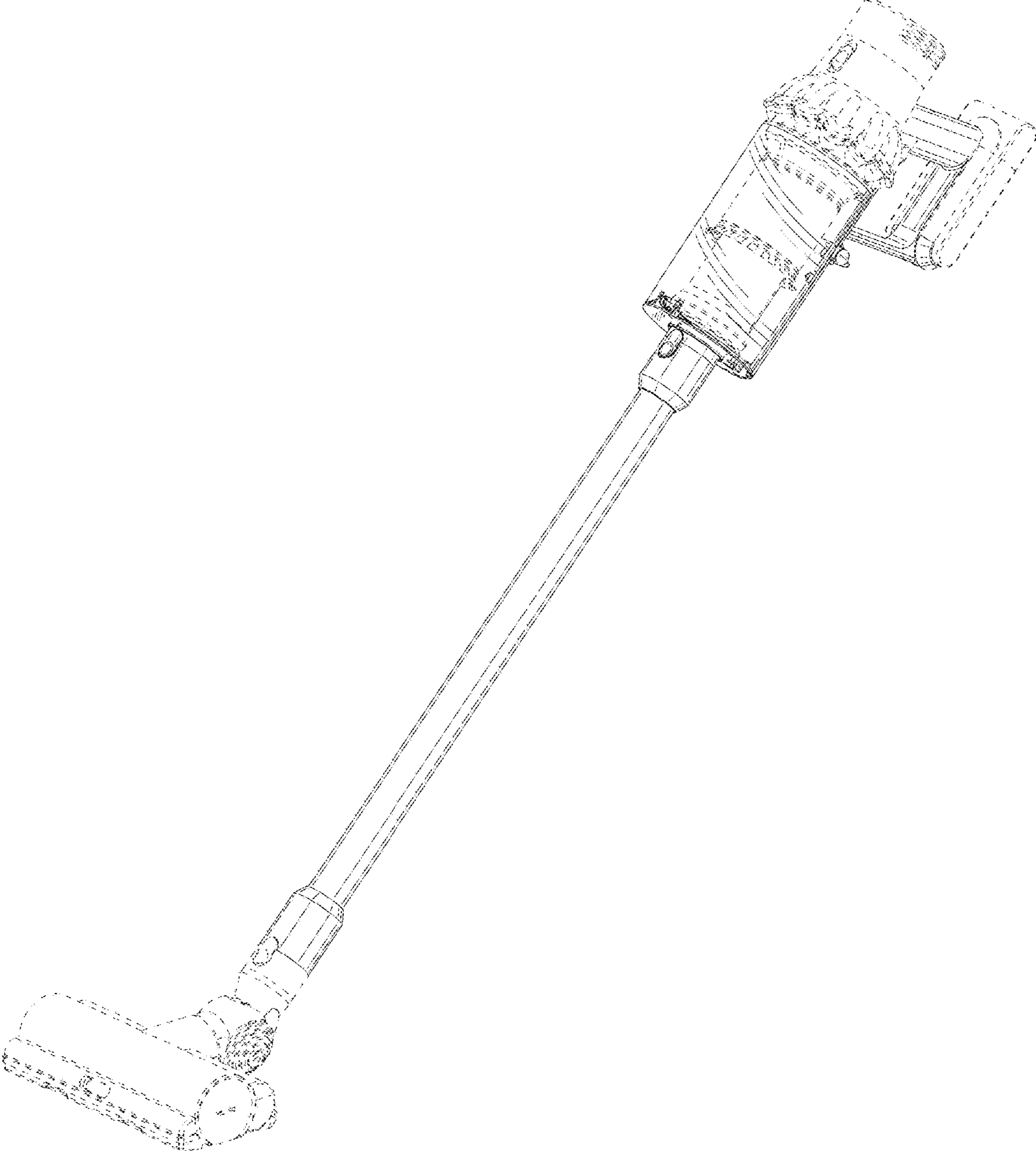


FIG. 1

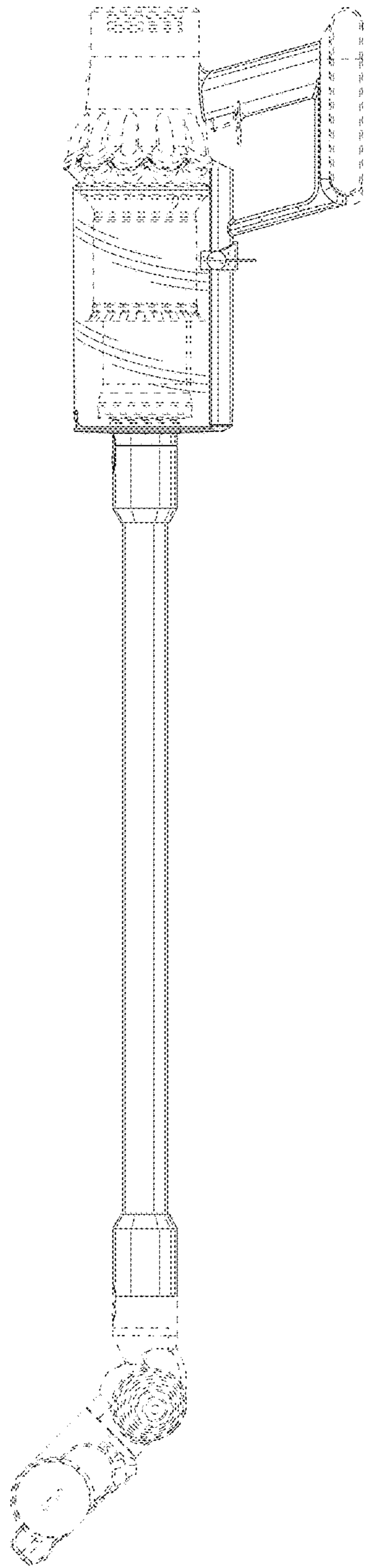


FIG. 2

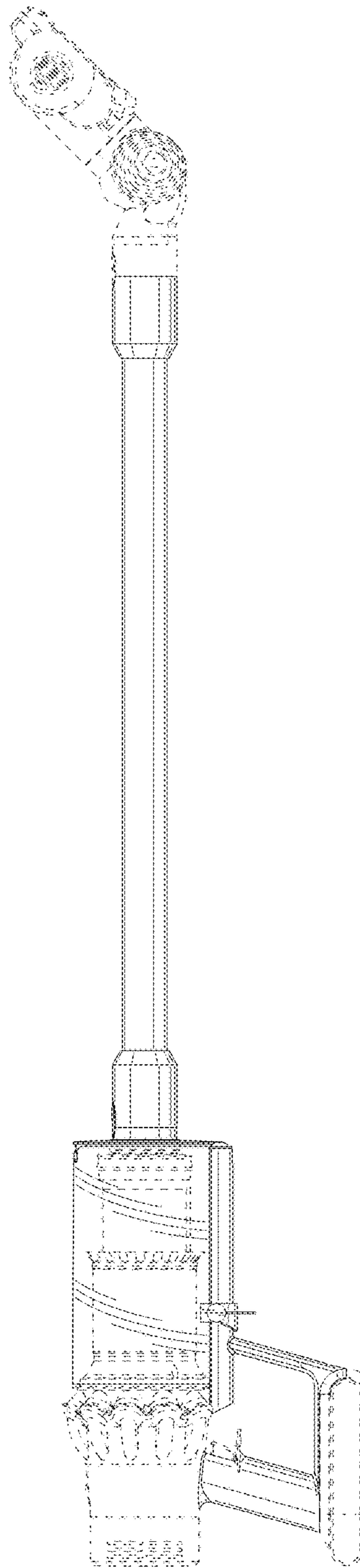


FIG. 3

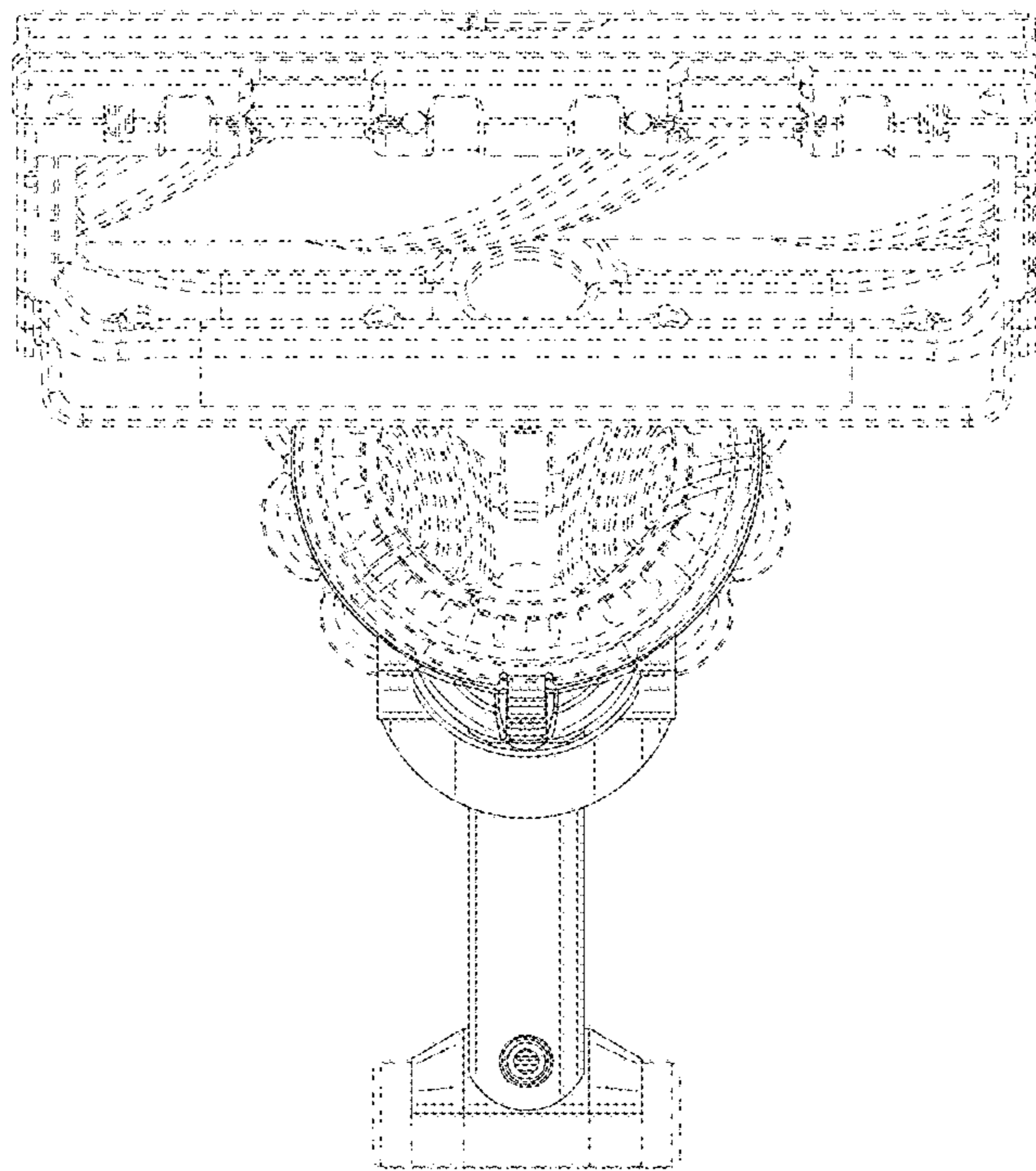


FIG. 4

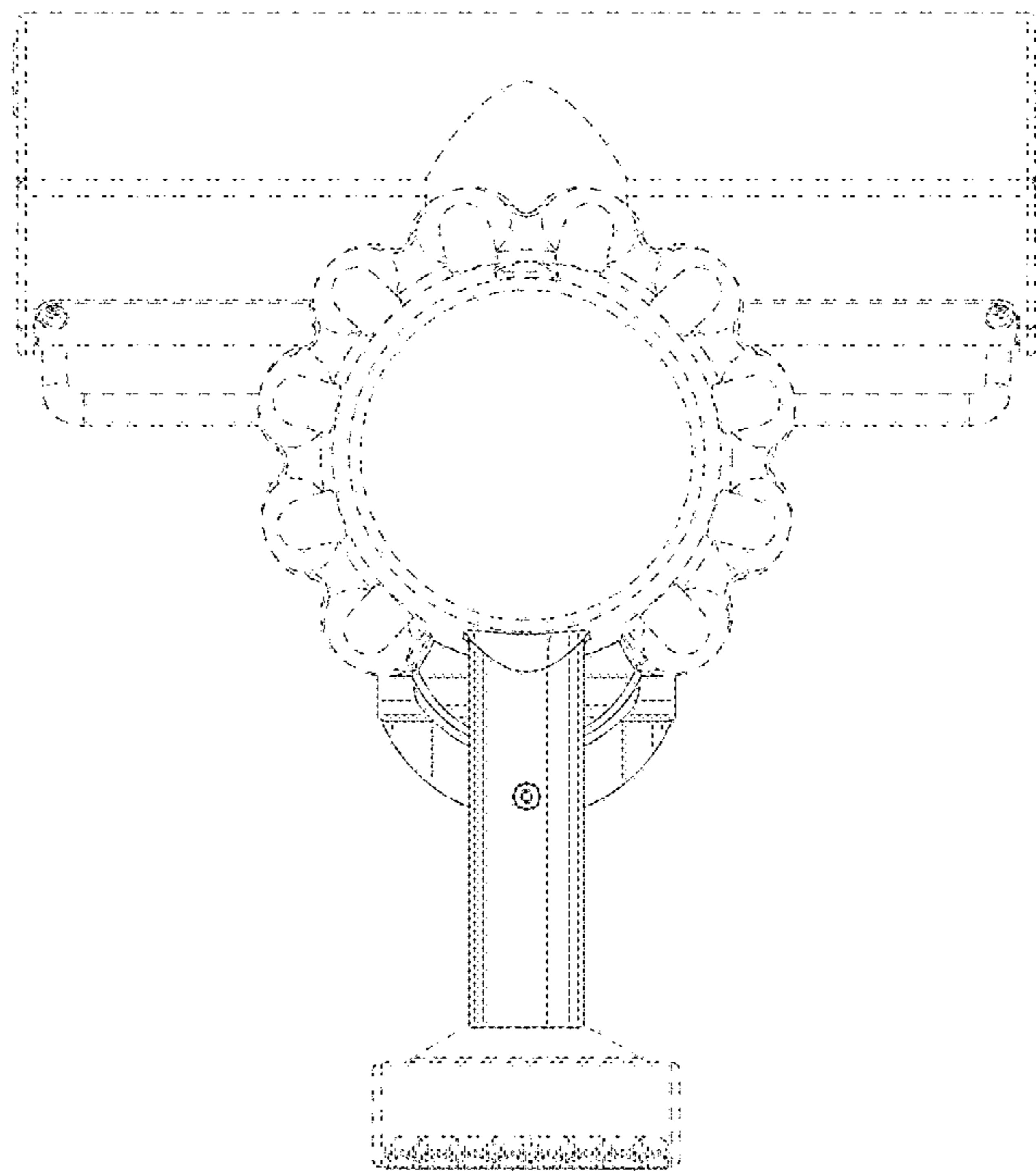


FIG. 5

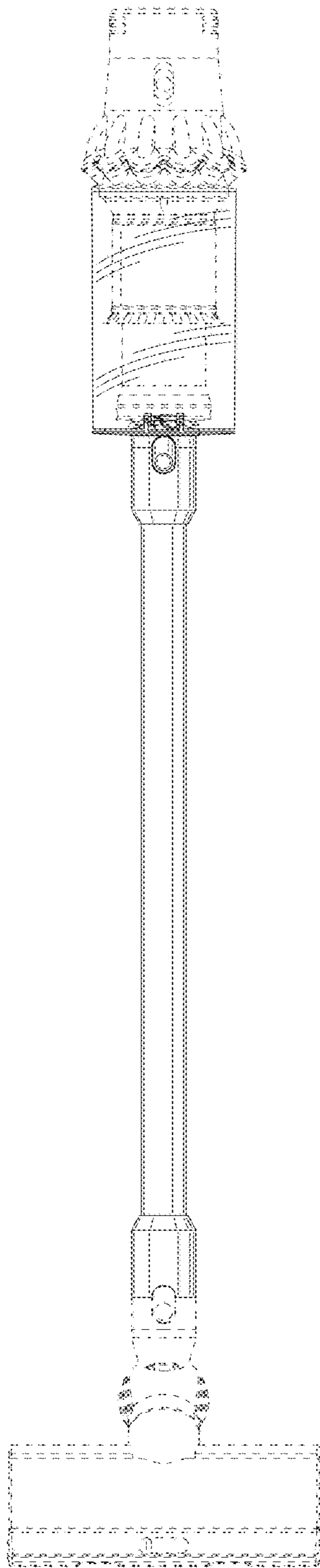


FIG. 6

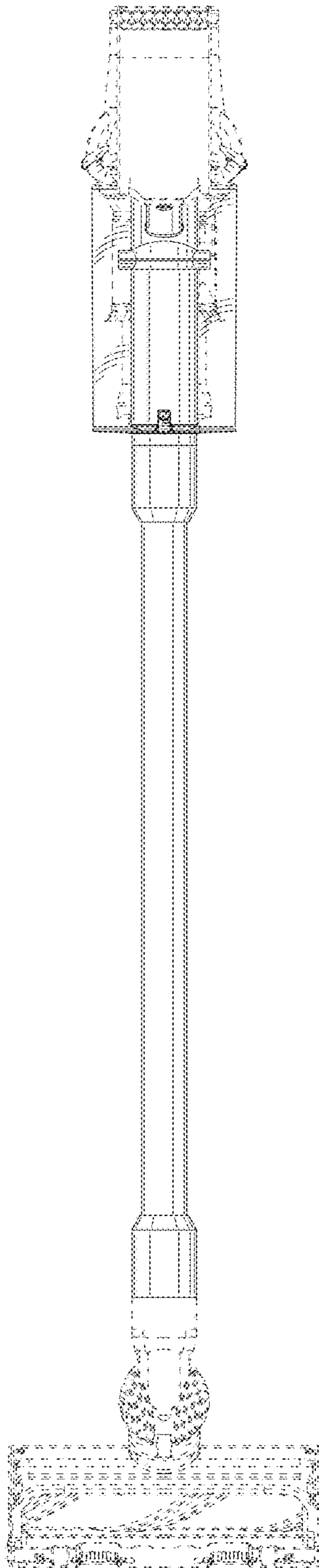


FIG. 7