



US00D848688S

(12) **United States Design Patent**
Gammack et al.

(10) **Patent No.:** **US D848,688 S**

(45) **Date of Patent:** **** May 14, 2019**

(54) **VACUUM CLEANER**

(71) Applicant: **Dyson Technology Limited**, Wiltshire (GB)

(72) Inventors: **Peter David Gammack**, Gloucester (GB); **Stephen Robert Dimbylow**, Swindon (GB); **Robert Hinchliffe**, Bristol (GB); **Jeremy William Crouch**, Swindon (GB)

(73) Assignee: **Dyson Technology Limited**, Malmesbury, Wiltshire (GB)

(**) Term: **15 Years**

(21) Appl. No.: **29/617,710**

(22) Filed: **Sep. 15, 2017**

(30) **Foreign Application Priority Data**

Mar. 16, 2017 (GB) 6009159

(51) **LOC (11) Cl.** **15-05**

(52) **U.S. Cl.**
USPC **D32/22**

(58) **Field of Classification Search**
USPC D32/17-18, 22, 31, 34
CPC A47L 5/24; A47L 5/26; A47L 5/28; A47L 9/322; A47L 9/325; A47L 9/327; A47L 11/4075

See application file for complete search history.

(56) **References Cited**

U.S. PATENT DOCUMENTS

D668,010 S	9/2012	Stickney et al.	
D668,823 S *	10/2012	Stickney	D32/18
D703,889 S *	4/2014	Shin	D32/18
D731,130 S *	6/2015	Dyson	D32/18
D731,133 S *	6/2015	Dyson	D32/31
D731,724 S *	6/2015	Cheon	D32/22

D738,584 S	9/2015	Niedzwecki	
D770,111 S *	10/2016	Lee	D32/34
D775,772 S *	1/2017	Lee	D32/31
D798,009 S *	9/2017	Salagnac	D32/18
D799,767 S *	10/2017	Palladino	D32/22
D804,753 S *	12/2017	Kim	D32/31
D814,723 S *	4/2018	Palladino	D32/31
D819,282 S *	5/2018	Kim	D32/22
D824,616 S *	7/2018	Ward	D32/22
2011/0219571 A1 *	9/2011	Dyson	A47L 5/24 15/344
2014/0366286 A1 *	12/2014	Zheng	A47L 9/2831 15/3

(Continued)

FOREIGN PATENT DOCUMENTS

CN	302917438	8/2014
CN	303151547	4/2015
CN	303863321	9/2016

(Continued)

Primary Examiner — Ruth McInroy

(74) *Attorney, Agent, or Firm* — Morrison & Foerster LLP

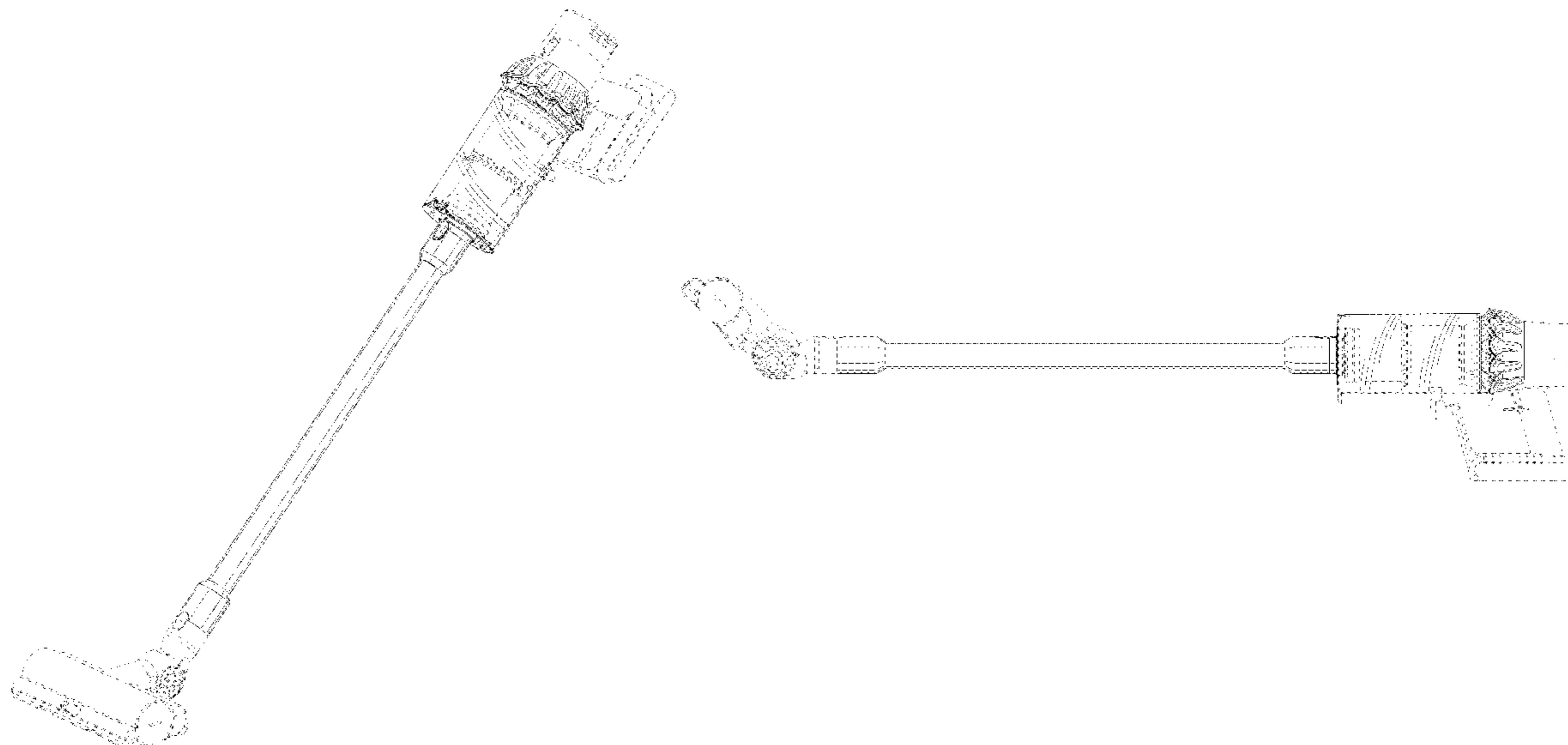
(57) **CLAIM**

We claim the ornamental design for a vacuum cleaner, as shown and described.

DESCRIPTION

FIG. 1 is a perspective view of a vacuum cleaner showing our new design;
FIG. 2 is a side view thereof;
FIG. 3 is a side view of the opposite side of FIG. 2;
FIG. 4 is a front view thereof;
FIG. 5 is a rear view thereof;
FIG. 6 is a top view thereof; and,
FIG. 7 is a bottom view thereof.
The broken lines shown in the drawings illustrate portions of a vacuum cleaner that form no part of the claimed design.

1 Claim, 7 Drawing Sheets



(56)

References Cited

U.S. PATENT DOCUMENTS

2015/0230677 A1* 8/2015 Andrikanish A47L 9/102
15/353
2016/0174789 A1* 6/2016 Han A47L 5/24
15/327.1

FOREIGN PATENT DOCUMENTS

CN	303863324	9/2016
EM	001361141-0001	12/2013
EM	001361141-0003	12/2013
EM	001361141-0004	12/2013
EM	003304583-0001	9/2016
JP	D1543039	2/2016
TW	D180331	12/2016

* cited by examiner

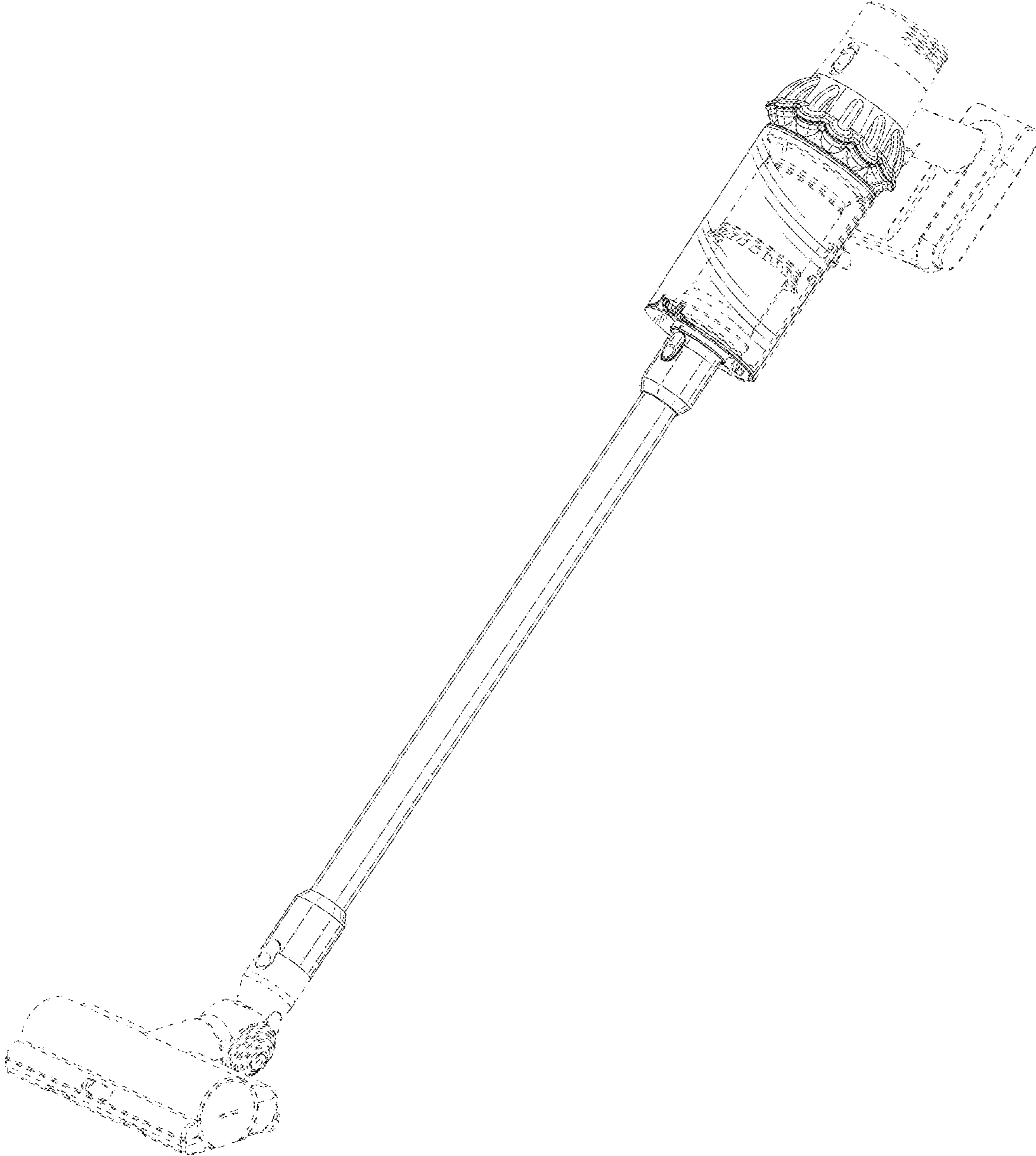


FIG. 1

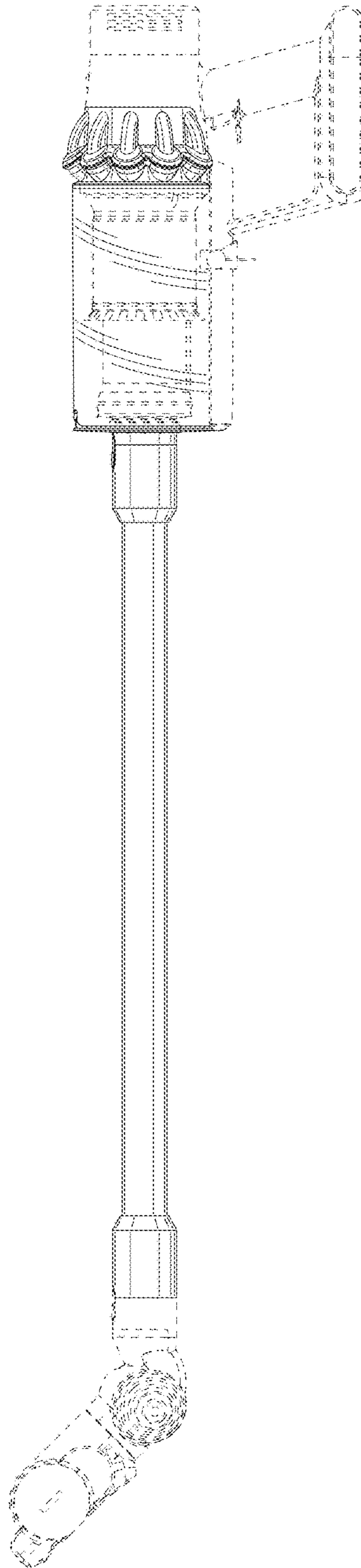


FIG. 2

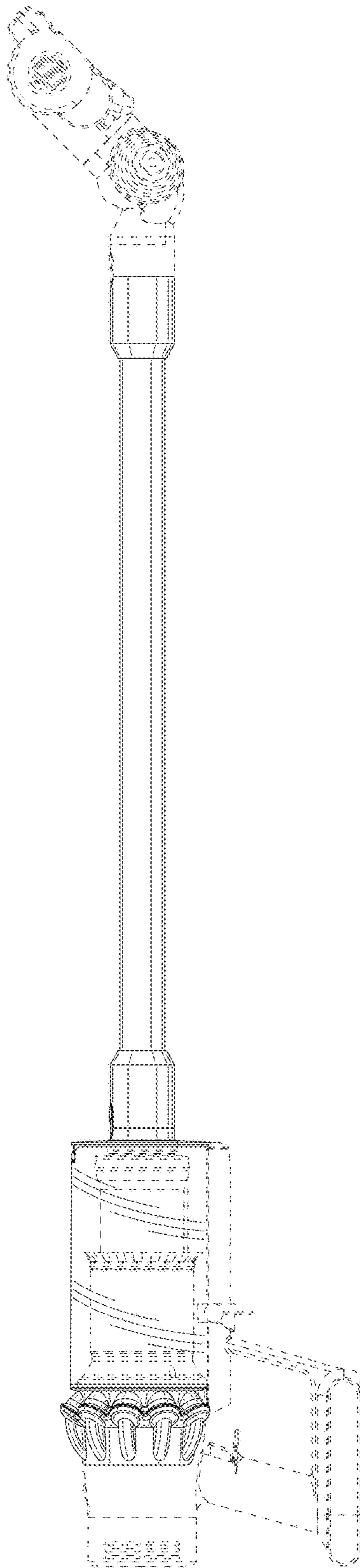


FIG. 3

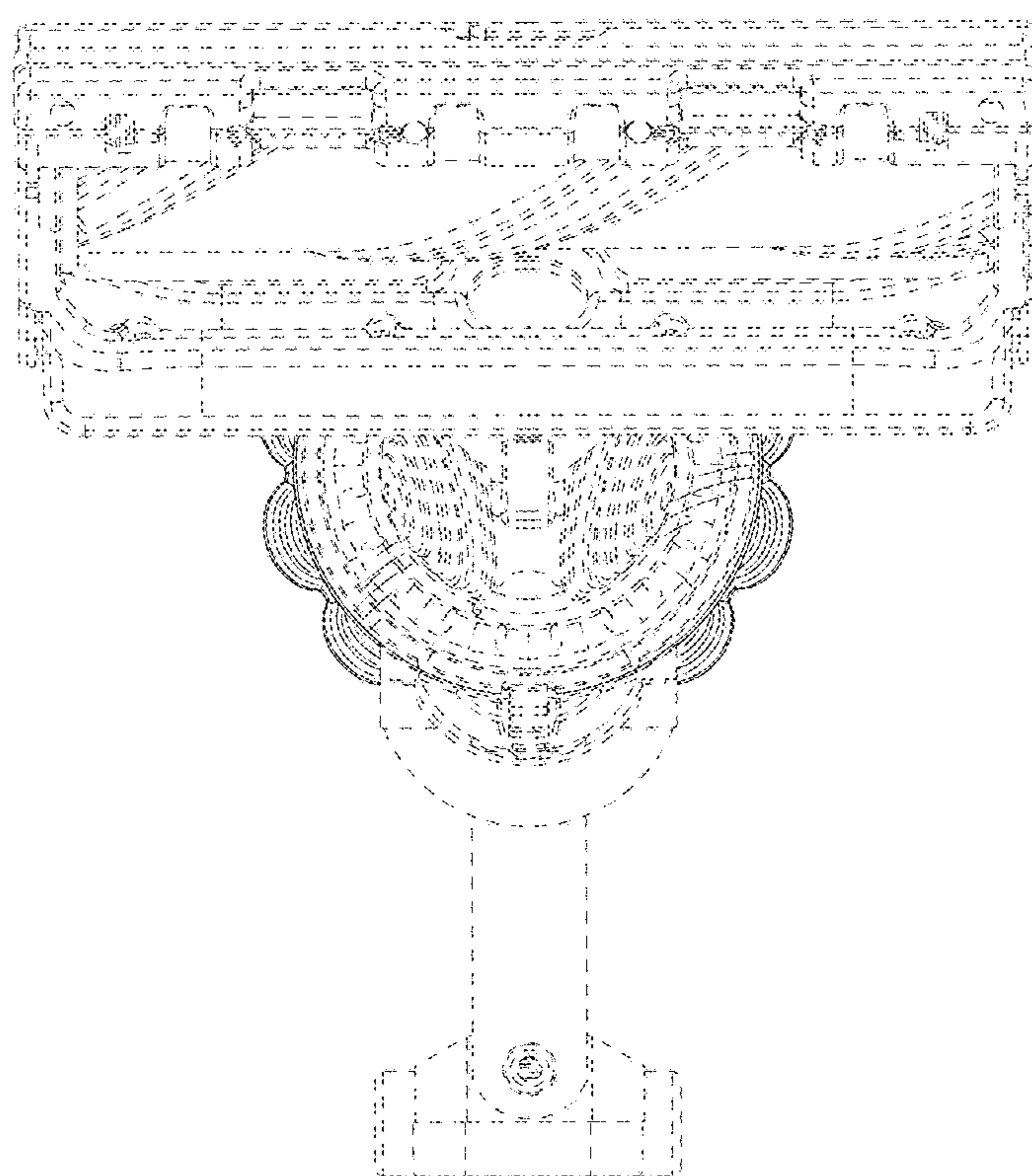


FIG. 4

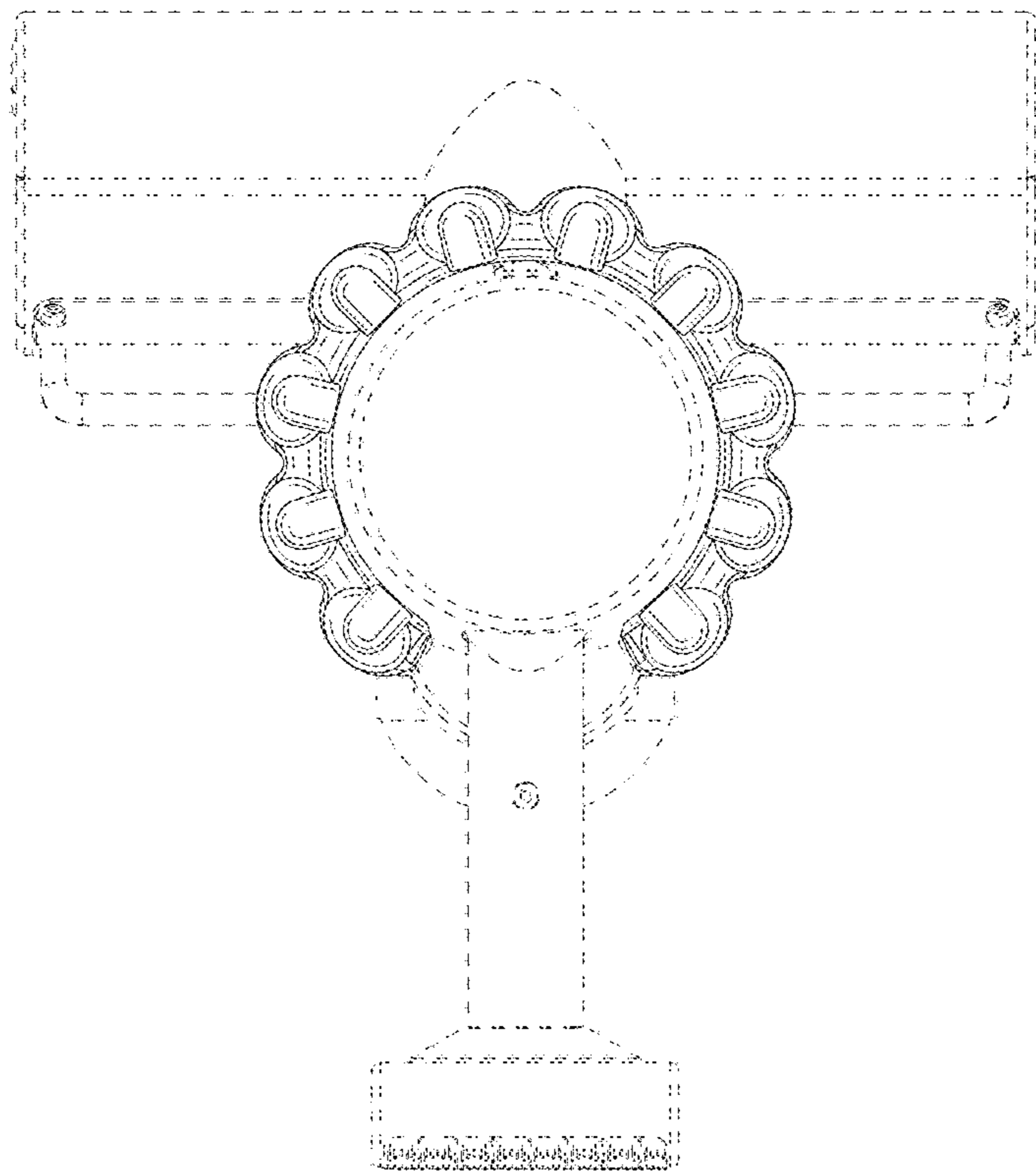


FIG. 5

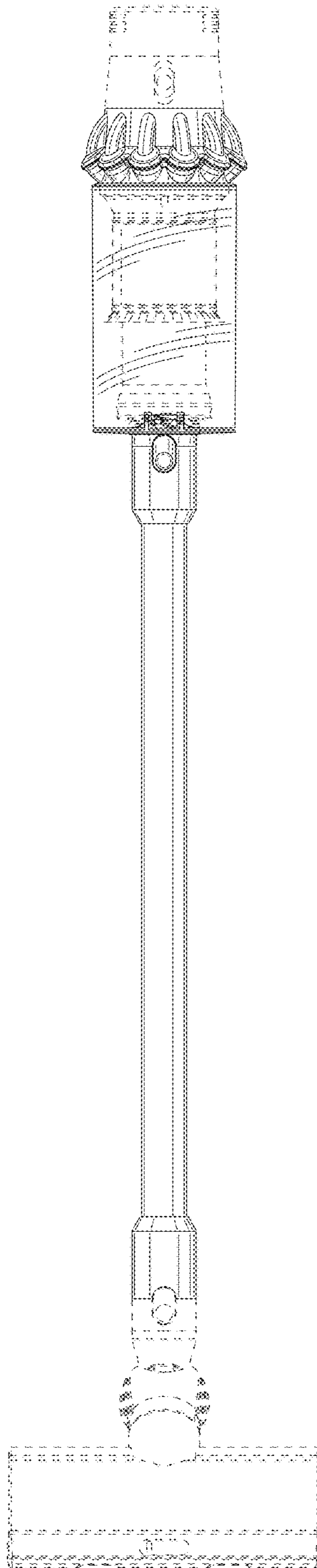


FIG. 6

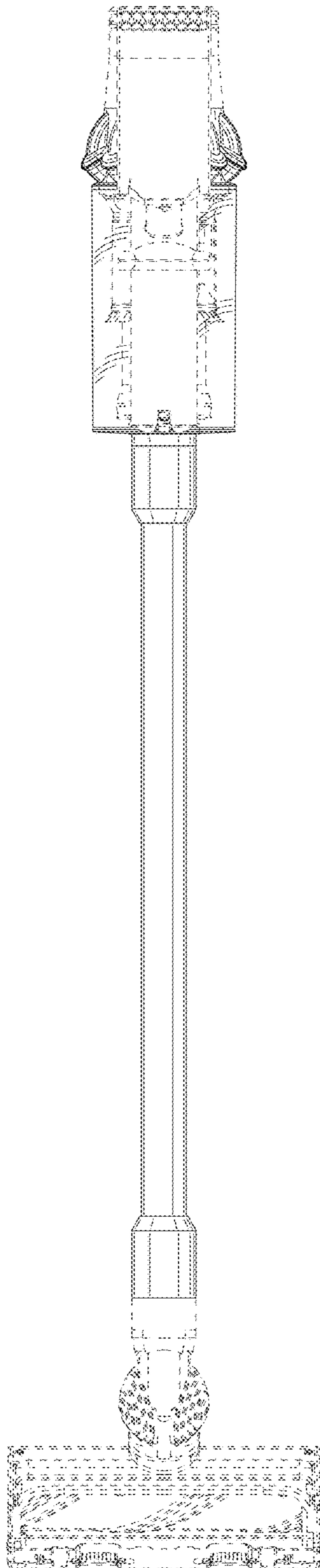


FIG. 7